

# Product Safety Recall

## N202322233 Seat Belt May Not Be Properly Attached



Release Date: December 2020

Revision: 00

**Attention:** It is a violation of Federal law for a dealer to deliver a new motor vehicle or any new or used item of motor vehicle equipment (including a tire) covered by this notification under a sale or lease until the defect or noncompliance is remedied.

All involved vehicles that are in dealer inventory must be held and not delivered to customers, dealer traded, or used for demonstration purposes until the repair contained in this bulletin has been performed on the vehicle.

Make	Model	Model Year		RPO	Description
		From	To		
Cadillac	Escalade	2021	2021		
Cadillac	Escalade ESV				
Chevrolet	Suburban				
Chevrolet	Tahoe				
GMC	Yukon				
GMC	Yukon XL				

Involved vehicles are marked "open" on the Investigate Vehicle History screen in GM Global Warranty Management system. This site should always be checked to confirm vehicle involvement prior to beginning any required inspections and/or repairs.

<b>Condition</b>	General Motors has decided that a defect which relates to motor vehicle safety exists in certain 2021 model year Cadillac Escalade and Escalade ESV, Chevrolet Suburban and Tahoe, and GMC Yukon and Yukon XL vehicles. In these vehicles, the wrong seat-belt bolt may have been used at one or more fastening locations to secure the seat belt to the vehicle. If an incorrect bolt was used, the seat belt may not be properly attached to the vehicle. If a seat belt assembly is not properly attached to the vehicle, the seat belt may not properly restrain an occupant, increasing risk of occupant injury in a crash.
<b>Correction</b>	Dealers will replace bolts at suspect seat-belt attachment locations.

### Parts

Quantity	Part Name	Part No.
1	Bolt	11611776

**Important:** Due to limited initial parts availability, parts should only be ordered when a Dealer has a vehicle with a VIN that is subject to this Recall. If the VIN is subject to this Recall, its recall status in IVH should be listed as "open." We have also attached information below to access involved VINs for your convenience.

**Reminder:** Parts may be removed from Retail Inventory Management (RIM). Dealers should review the affected parts to confirm RIM managed status. Parts may have quantity limiters in effect.

### Warranty Information

Labor Operation	Description	Labor Time	Trans. Type	Net Item
9105532	Replace Front Row Seat Belt Retractor Mounting Bolt	0.4	ZFAT	N/A
9105533	Replace Second or Third Row Seat Belt Retractor Mounting Bolt	0.9		
9105534	Replace Third Row Seat Belt Anchor Bolt	0.8		

### Service Procedure

**IMPORTANT:** Not all seat belt system attachment bolts require replacement. Please refer to the VIN table provided below, and search for the VIN of the vehicle you are servicing to determine which seat belt system attachment bolt requires replacement.

# Product Safety Recall

## N202322233 Seat Belt May Not Be Properly Attached



1	VIN	MODEL YR	MAKE	MODEL	LOCATION
2	1GKS1DKL3MR195490	2021	GMC	Yukon Denali/AT4-T1	Driver 2nd Row Seat Belt Retractor
3	1GKS2BKD1MR198401	2021	GMC	Yukon SLT-T1	Driver 1st Row Seat Belt Retractor
4	1GKS2CKD1MR195570	2021	GMC	Yukon Denali/AT4-T1	Driver 2nd Row Seat Belt Retractor
5	1GKS2CKD4MR196910	2021	GMC	Yukon Denali/AT4-T1	Driver 3rd Row Seat Belt Retractor
6	1GKS2CKDXMR194952	2021	GMC	Yukon Denali/AT4-T1	Driver 1st Row Seat Belt Retractor
7	1GKS2DKL4MR189968	2021	GMC	Yukon Denali/AT4-T1	Driver 2nd Row Seat Belt Retractor
8	1GKS2DKL8MR194400	2021	GMC	Yukon Denali/AT4-T1	Driver 3rd Row Seat Belt Retractor
9	1GKS2HKD6MR191849	2021	GMC	Yukon XL Denali/AT4-T1	Passenger 3rd Row Seat Belt Anchor
10	1GKS2JKL4MR199091	2021	GMC	Yukon XL Denali/AT4-T1	Driver 1st Row Seat Belt Retractor
11	1GKS2JKL9MR195618	2021	GMC	Yukon XL Denali/AT4-T1	Passenger 2nd Row Seat Bet Retractor
12	1GKS2JKL9MR198471	2021	GMC	Yukon XL Denali/AT4-T1	Driver 1st Row Seat Belt Retractor
13	1GNSCCKD6MR198478	2021	Chevrolet	Suburban RST/LT-T1	Driver 1st Row Seat Belt Retractor
14	1GNSCCKD6MR198514	2021	Chevrolet	Suburban RST/LT-T1	Driver 3rd Row Seat Belt Retractor
15	1GNSCCKD9MR198619	2021	Chevrolet	Suburban RST/LT-T1	Driver 1st Row Seat Belt Retractor
16	1GNSCCCKDXMR198578	2021	Chevrolet	Suburban RST/LT-T1	Driver 1st Row Seat Belt Retractor
17	1GNSCEKD9MR195280	2021	Chevrolet	Suburban RST/LT-T1	Driver 3rd Row Seat Belt Retractor
18	1GNSK8KL6MR194700	2021	Chevrolet	Tahoe LS/FL-T1	Driver 1st Row Seat Belt Retractor
19	1GNSKCKDXMR192282	2021	Chevrolet	Suburban RST/LT-T1	Driver 2nd Row Seat Belt Retractor
20	1GNSKDKD9MR192330	2021	Chevrolet	Suburban HC/Premier/Z71-T1	Driver 2nd Row Seat Belt Retractor
21	1GNSKFKD6MR198565	2021	Chevrolet	Suburban HC/Premier/Z71-T1	Driver 1st Row Seat Belt Retractor
22	1GNSKGL4MR198559	2021	Chevrolet	Suburban HC/Premier/Z71-T1	Driver 1st Row Seat Belt Retractor
23	1GNSKGL5MR194732	2021	Chevrolet	Suburban HC/Premier/Z71-T1	Driver 1st Row Seat Belt Retractor
24	1GNSKMKD1MR194685	2021	Chevrolet	Tahoe LS/FL-T1	Driver 1st Row Seat Belt Retractor
25	1GNSKMKD2MR192850	2021	Chevrolet	Tahoe LS/FL-T1	Passenger 2nd Row Seat Bet Retractor
26	1GNSKNKD6MR198429	2021	Chevrolet	Tahoe RST/LT-T1	Driver 3rd Row Seat Belt Retractor
27	1GNSKPKD0MR197708	2021	Chevrolet	Tahoe HC/Premier/Z71-T1	Passenger 2nd Row Seat Bet Retractor
28	1GNSKPKD2MR191182	2021	Chevrolet	Tahoe HC/Premier/Z71-T1	Passenger 2nd Row Seat Bet Retractor
29	1GNSKPKD4MR198778	2021	Chevrolet	Tahoe HC/Premier/Z71-T1	Driver 1st Row Seat Belt Retractor
30	1GNSKRKD2MR198693	2021	Chevrolet	Tahoe RST/LT-T1	Driver 1st Row Seat Belt Retractor
31	1GNSKRKD6MR198373	2021	Chevrolet	Tahoe RST/LT-T1	Driver 1st Row Seat Belt Retractor
32	1GNSKTKLXMR197537	2021	Chevrolet	Tahoe HC/Premier/Z71-T1	Driver 1st Row Seat Belt Retractor
33	1GYS3LKL0MR196011	2021	Cadillac	Escalade ESV Premium/Sport-T1	Driver 1st Row Seat Belt Retractor
34	1GYS3MKL2MR196808	2021	Cadillac	Escalade ESV Platinum-T1	Driver 3rd Row Seat Belt Retractor
35	1GYS3PKL0MR197411	2021	Cadillac	Escalade ESV Premium/Sport-T1	Driver 1st Row Seat Belt Retractor
36	1GYS47KL8MR190333	2021	Cadillac	Escalade Luxury-T1	Driver 1st Row Seat Belt Retractor
37	1GYS4EKL6MR194126	2021	Cadillac	Escalade Premium/Sport-T1	Passenger 2nd Row Seat Bet Retractor
38	1GYS4PKL2MR198959	2021	Cadillac	Escalade ESV Premium/Sport-T1	Passenger 1st Row Seat Belt Retractor

5699122

# Product Safety Recall

## N202322233 Seat Belt May Not Be Properly Attached



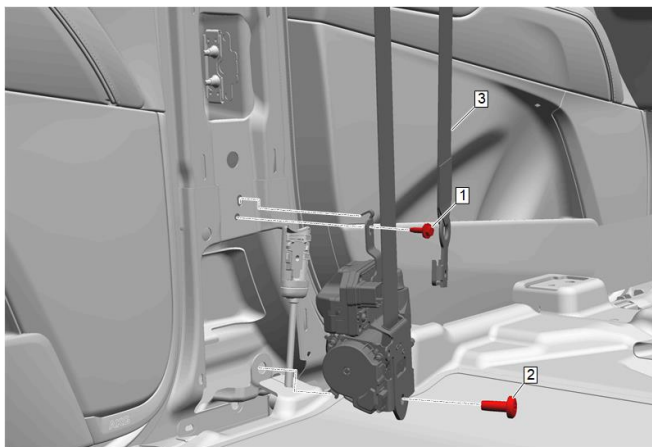
1	VIN/IV	MODEL/Modèle	LOCATION
5	1GKS2CKD4MR196910	Yukon Denali/AT4-T1	Enrouleur de ceinture de sécurité de troisième rangée du côté conducteur
6	1GKS2CKDXMR194952	Yukon Denali/AT4-T1	Enrouleur de ceinture de sécurité de première rangée du côté conducteur
7	1GKS2DKL4MR189968	Yukon Denali/AT4-T1	Enrouleur de ceinture de sécurité de deuxième rangée du côté conducteur
8	1GKS2DKL8MR194400	Yukon Denali/AT4-T1	Enrouleur de ceinture de sécurité de troisième rangée du côté conducteur
9	1GKS2HKD6MR191849	Yukon XL Denali/AT4-T1	Dispositif d'ancrage de ceinture de sécurité de troisième rangée du côté passager
10	1GKS2JKL4MR199091	Yukon XL Denali/AT4-T1	Enrouleur de ceinture de sécurité de première rangée du côté conducteur
11	1GKS2JKL9MR195618	Yukon XL Denali/AT4-T1	Enrouleur de ceinture de sécurité de deuxième rangée du côté passager
12	1GKS2JKL8MR198471	Yukon XL Denali/AT4-T1	Enrouleur de ceinture de sécurité de première rangée du côté conducteur
13	1GNSCCKD6MR198478	Suburban RST/ILT-T1	Enrouleur de ceinture de sécurité de première rangée du côté conducteur
14	1GNSCCKD6MR198514	Suburban RST/ILT-T1	Enrouleur de ceinture de sécurité de troisième rangée du côté conducteur
15	1GNSCCKD9MR198619	Suburban RST/ILT-T1	Enrouleur de ceinture de sécurité de première rangée du côté conducteur
16	1GNSCCKD9MR198578	Suburban RST/ILT-T1	Enrouleur de ceinture de sécurité de première rangée du côté conducteur
17	1GNSCEKD9MR195280	Suburban RST/ILT-T1	Enrouleur de ceinture de sécurité de troisième rangée du côté conducteur
18	1GNSK8KL6MR194700	Tahoe LS/FL-T1	Enrouleur de ceinture de sécurité de première rangée du côté conducteur
19	1GNSKCKDXMR192282	Suburban RST/ILT-T1	Enrouleur de ceinture de sécurité de deuxième rangée du côté conducteur
20	1GNSKDKD9MR192330	Suburban HC/Premier/271-T1	Enrouleur de ceinture de sécurité de deuxième rangée du côté conducteur
21	1GNSKFKD6MR198565	Suburban HC/Premier/271-T1	Enrouleur de ceinture de sécurité de première rangée du côté conducteur
22	1GNSKGKL4MR198559	Suburban HC/Premier/271-T1	Enrouleur de ceinture de sécurité de première rangée du côté conducteur
23	1GNSKGKL5MR194732	Suburban HC/Premier/271-T1	Enrouleur de ceinture de sécurité de première rangée du côté conducteur
24	1GNSKMKD1MR194685	Tahoe LS/FL-T1	Enrouleur de ceinture de sécurité de première rangée du côté conducteur
25	1GNSKMKD2MR192850	Tahoe LS/FL-T1	Enrouleur de ceinture de sécurité de deuxième rangée du côté passager
26	1GNSKNKD6MR198429	Tahoe RST/ILT-T1	Enrouleur de ceinture de sécurité de troisième rangée du côté conducteur
27	1GNSKPKD0MR197708	Tahoe HC/Premier/271-T1	Enrouleur de ceinture de sécurité de deuxième rangée du côté passager
28	1GNSKPKD2MR191182	Tahoe HC/Premier/271-T1	Enrouleur de ceinture de sécurité de deuxième rangée du côté passager
29	1GNSKPKD4MR198778	Tahoe HC/Premier/271-T1	Enrouleur de ceinture de sécurité de première rangée du côté conducteur
30	1GNSKRKD2MR198693	Tahoe RST/ILT-T1	Enrouleur de ceinture de sécurité de première rangée du côté conducteur
31	1GNSKRKD6MR198373	Tahoe RST/ILT-T1	Enrouleur de ceinture de sécurité de première rangée du côté conducteur
32	1GNSKTKLXMR197537	Tahoe HC/Premier/271-T1	Enrouleur de ceinture de sécurité de première rangée du côté conducteur
33	1GYS3LKL0MR196011	Escalade ESV Premium/Sport-T1	Enrouleur de ceinture de sécurité de première rangée du côté conducteur
34	1GYS3MKL2MR196808	Escalade ESV Platinum-T1	Enrouleur de ceinture de sécurité de troisième rangée du côté conducteur
35	1GYS3PKL0MR197411	Escalade ESV Premium/Sport-T1	Enrouleur de ceinture de sécurité de première rangée du côté conducteur
36	1GYS47KL8MR190333	Escalade Luxury-T1	Enrouleur de ceinture de sécurité de première rangée du côté conducteur
37	1GYS4EKL6MR194126	Escalade Premium/Sport-T1	Enrouleur de ceinture de sécurité de deuxième rangée du côté passager
38	1GYS4PKL2MR198959	Escalade ESV Premium/Sport-T1	Enrouleur de ceinture de sécurité de première rangée du côté passager

5699161

**NOTE: The bolt being removed from the vehicle may not have cut the proper threads in the nut when the vehicle was manufactured. If this occurred, expect to feel resistance for the complete bolt length when removing the bolt. When the new bolt is being installed in an unthreaded nut, there will be resistance as the self-threading bolt threads the nut. There will be an initial resistance while the thread is being cut, followed by a reduction in resistance. This is an expected condition. Continue tightening the bolt until the retractor or belt bracket is secured. To complete the installation, tighten the bolt to the proper torque specification.**

### Service PCQDure for First Row Outer Seatbelt Retractor Mounting Bolt

1. Remove the center pillar lower trim panel. It is not necessary to disconnect the seat belt from the seat belt anchor plate tensioner. Refer to *Center Pillar Lower Trim Panel Replacement* in SI.



5618244

2. Remove and discard the lower retractor bolt (2).
3. Install the new retractor mounting bolt. Refer to the note above for installation details. Tighten the new service bolt to 45 N.m (33 lb.ft).

# Product Safety Recall

## N202322233 Seat Belt May Not Be Properly Attached

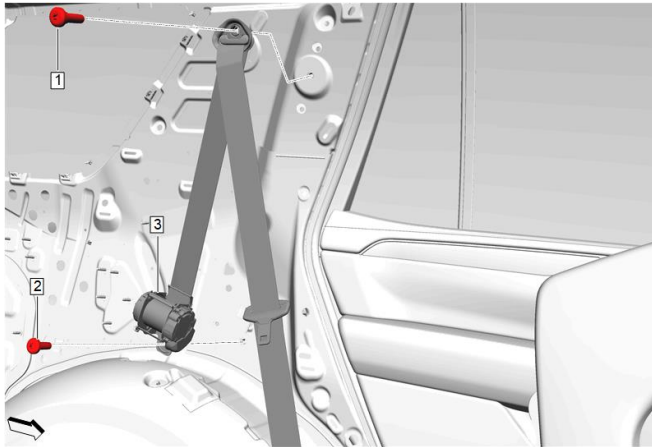


4. Reinstall the center pillar lower trim panel. Refer to *Center Pillar Lower Trim Panel Replacement* in SI.

### Service Procedure for Second or Third Row Outer Seatbelt Retractor Mounting Bolt

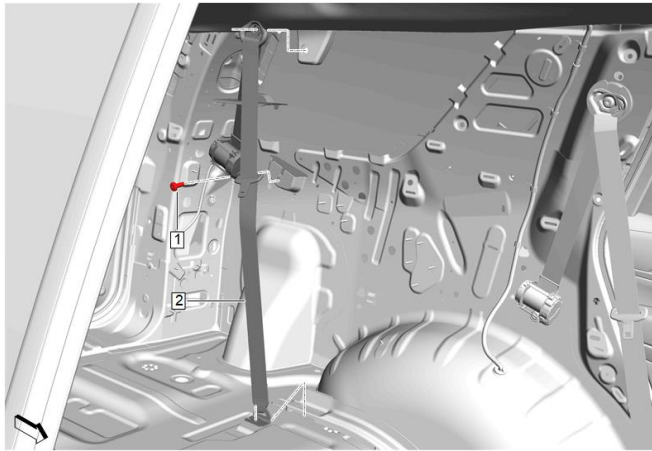
**NOTE:** When performing the following steps, it is not necessary to remove the third-row seat or disconnect the seat belts.

1. Remove the rear compartment floor stowage compartment. Refer to *Rear Compartment Floor Stowage Trim Compartment Replacement* in SI.
2. Remove the quarter lower rear trim panel. Refer to *Quarter Lower Rear Trim Panel Replacement* in SI.



5607363

### Second Row Retractor Mounting bolt (2)



5634145

### Third Row Retractor Mounting Bolt (1)

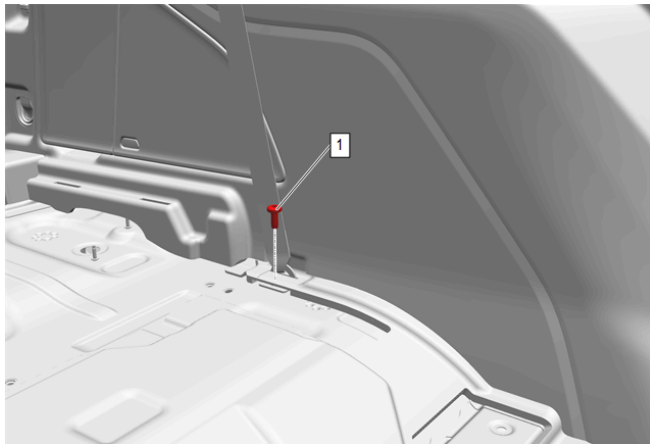
3. Remove the second or third row seat belt retractor bolt as required. Discard the bolt.
4. Install the new retractor mounting bolt. Refer to the note above for installation details. Tighten the new service bolt to 45 N.m (33 lb. ft).
5. Reinstall the quarter lower rear trim panel. Refer to *Quarter Lower Rear Trim Panel Replacement* in SI.
6. Reinstall the rear compartment floor stowage compartment. Refer to *Rear Compartment Floor Stowage Trim Compartment Replacement* in SI.

### Third Row Seat Belt Anchor Bolt Replacement

1. Remove the third-row seat. Refer to *3rd Row Seat Removal and Installation* in SI.

# Product Safety Recall

## N202322233 Seat Belt May Not Be Properly Attached



5612585

2. Locate the third-row seat belt anchor bolt (1). Remove and discard the bolt.
3. Install the new seat belt anchor bolt. Refer to the note above for installation details. Tighten the new service bolt to 45 N.m (33 lb. ft).
4. Reinstall the third-row seat. Refer to *3rd Row Seat Removal and Installation* in SI.

### Dealer Responsibility – For USA & Export (USA States, Territories, and Possessions)

It is a violation of Federal law for a dealer to deliver a new motor vehicle or any new or used item of motor vehicle equipment (including a tire) covered by this notification under a sale or lease until the defect or noncompliance is remedied.

The US National Traffic and Motor Vehicle Safety Act provides that each vehicle that is subject to a recall of this type must be adequately repaired within a reasonable time after the customer has tendered it for repair. A failure to repair within sixty days after tender of a vehicle is prima facie evidence of failure to repair within a reasonable time. If the condition is not adequately repaired within a reasonable time, the customer may be entitled to an identical or reasonably equivalent vehicle at no charge or to a refund of the purchase price less a reasonable allowance for depreciation. To avoid having to provide these burdensome remedies, every effort must be made to promptly schedule an appointment with each customer and to repair their vehicle as soon as possible. In the recall notification letters, customers are told how to contact the US National Highway Traffic Safety Administration if the recall is not completed within a reasonable time.

### Dealer Responsibility – All

All new, used, GM Certified Used, courtesy transportation vehicles, dealer shuttle vehicles, etc. in dealers' possession and subject to this recall must be held and inspected/repaired per the service procedure of this bulletin before customers take possession of these vehicles. Involved vehicles must be held and not delivered to customers, dealer-traded, released to auction, used for demonstration, or any other purpose.

All GM Certified Used vehicles currently in the dealers' inventory within the Certified Pre-Owned Inventory System (CPOIS) will be de-certified and must be held and remedied per the service procedure in this bulletin. Upon submitting an accepted/paid warranty transaction in the Global Warranty Management (GWM) system, the vehicle can be re-certified for sale within the CPOIS system, or once again be used in the CTP program.

Dealers are to service all vehicles subject to this recall at no charge to customers, regardless of mileage, age of vehicle, or ownership, from this time forward.

Customers who have recently purchased vehicles sold from your vehicle inventory, and for which there is no customer information indicated on the dealer listing, are to be contacted by the dealer. Arrangements are to be made to make the required correction according to the instructions contained in this bulletin. Recall follow-up cards should not be used for this purpose, since the customer may not as yet have received the notification letter.

In summary, whenever a vehicle subject to this field action enters your vehicle inventory you must take the steps necessary to ensure the program correction has been made before selling the vehicle. In addition, for vehicles entering your facility for service, you are required to ensure the customer is aware of the open field action and make every reasonable effort to implement the program correction as set forth in this bulletin prior to releasing the vehicle.

# Product Safety Recall

## N202322233 Seat Belt May Not Be Properly Attached



### Dealer Reports

For dealers with involved vehicles, a listing has been prepared and will be available through GM GlobalConnect Maxis Field Action Reports or sent directly to export dealers. The Inventory tab of the dealer reports will contain VINs that apply to this recall. This information is intended to assist dealers with the **PROMPT COMPLETION** of these vehicles. The Customer In-Service tab will contain customer names and addresses from Motor Vehicle Registration Records. The use of such motor vehicle registration data for any purpose other than follow-up necessary to complete this recall may be a violation of law in several states.

### Courtesy Transportation – For USA & Canada

Courtesy transportation is available for customers whose vehicles are involved in a product program and still within the warranty coverage period. See General Motors Service Policies and Procedures Manual for courtesy transportation program details.

### Customer Notification

USA & Canada - General Motors will notify customers of this recall on their vehicle.

Export - Letters will be sent to known owners of record located within areas covered by the US National Traffic and Motor Vehicle Safety Act.

---

GM bulletins are intended for use by professional technicians, NOT a "do-it-yourselfer". They are written to inform these technicians of conditions that may occur on some vehicles, or to provide information that could assist in the proper service of a vehicle. Properly trained technicians have the tools, equipment, safety instructions, and know-how to do a job properly and safely. If a condition is described, DO NOT assume that the bulletin applies to your vehicle, or that your vehicle will have that condition. See your dealer for information on whether your vehicle may benefit from the information.



**We Support  
Voluntary Technician  
Certification**