

RECALL 20V799 / 2020-630 REMEDY INSTRUCTIONS



Make(s): PUMA TRAVEL TRAILER
Model(s): PUT26RBSS (XLE LITE)
Model Year(s): 2021

Concern:
The exterior cooktop may be stowed and the exterior door may engage one of the two latches with the LPG line still connected to the cooktop.

Repair Code: RC-096-03-00-003948
Allotted Time: .50 HRS.
Inspection Code: N/A
Allotted Time: N/A
Photo(s) Required: YES
Prior Authorization Required: YES
Part(s) Kit Number: F100240155
Part(s) Return: NO

Disconnect the vehicles' battery Positive and Negative, disconnect any House battery(s) Positive and Negative, if equipped with a generator ensure it is off and lastly, ensure the vehicle is disconnected from shore power. Block any tires/wheels to prevent the vehicle from rolling. Failure to do so may result in electrocution, fire or other personal injury, property damage and/or death.

STEP 1: ORDER THE PARTS KIT FROM PUMA 425 XLE LITE AND RECEIVE THE "LPG LINE SAFETY STOP" (FIG. 1);

STEP 2: LOCATE THE LPG LINE OUTPUT OF THE EXTERIOR MICRO KITCHEN (FIG. 2);

STEP 3: LOCATE THE LPG LINE SAFETY BRACKET PER THE DIMENSIONS AND LOCATION LISTED IN FIGURE 3 AND MARK THE HOLES ONTO THE MICRO KITCHEN HOUSING;

STEP 4: DETERMINE THE APPROPRIATE SIZE RIVET THAT MATCHES THE HOLES IN THE LPG LINE SAFETY STOP;

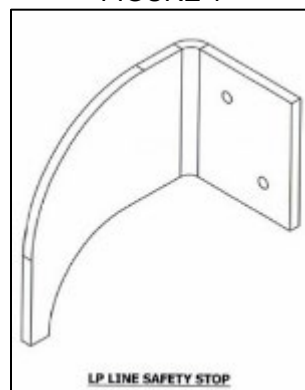
STEP 5: DRILL THE APPROPRIATE SIZE HOLES ON THE HOLE MARKS ON THE MICRO KITCHEN HOUSING THAT WILL LOCATE THE LPG LINE SAFETY STOP;

STEP 6: CHECK FOR CORRECT ORIENTATION OF THE LPG LINE SAFETY STOP AND RIVET INTO PLACE AND ENSURE THE INSTALLATION OF THE BRACKET IS SECURE AND NOT LOOSE;

STEP 7: VACUUM OUT THE AREA OF ALL METAL SHAVINGS AND OTHER DEBRIS.

FIGURES ARE ON THE ATTACHED PAGES

FIGURE 1



RECALL 20V799 / 2020-630 REMEDY INSTRUCTIONS

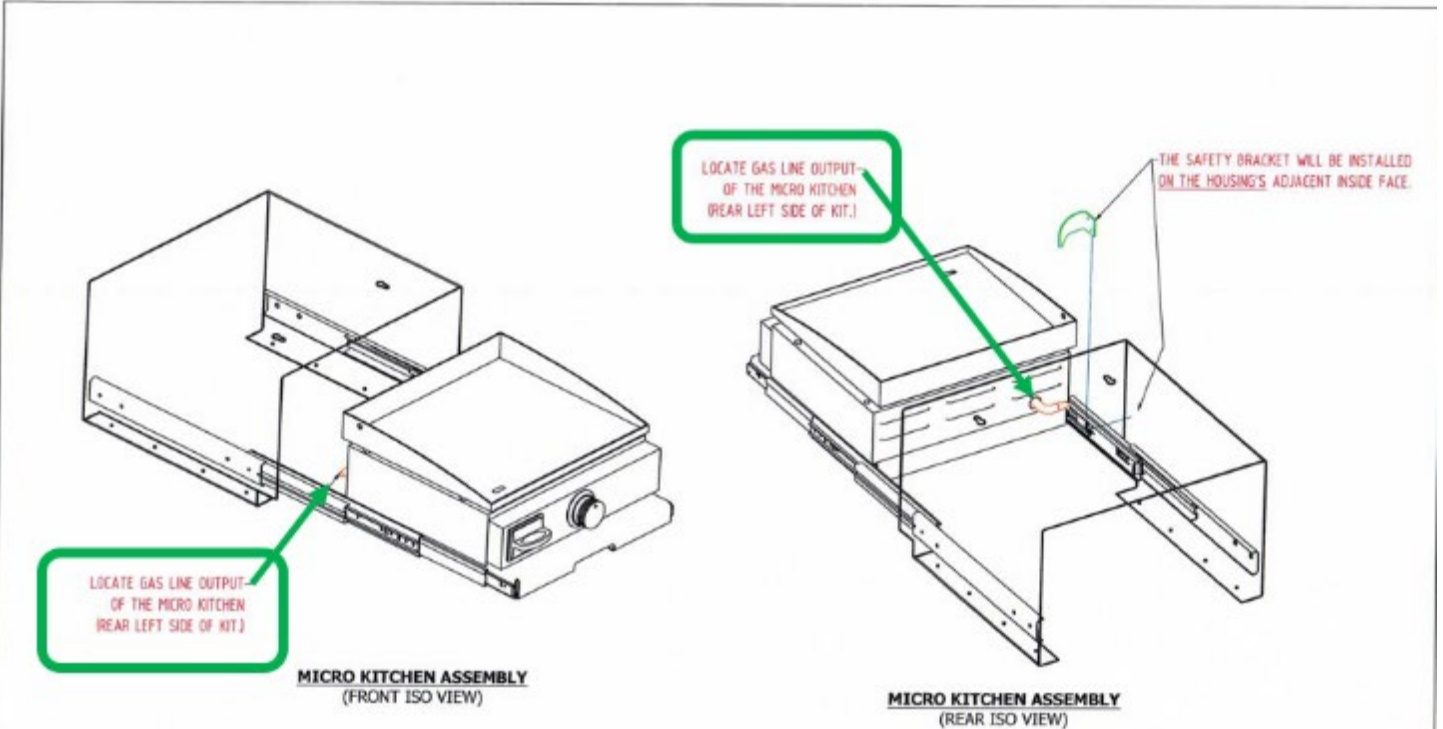


Make(s): PUMA TRAVEL TRAILER
 Model(s): PUT26RBSS (XLE LITE)
 Model Year(s): 2021

Concern:
 The exterior cooktop may be stowed and the exterior door may engage one of the two latches with the LPG line still connected to the cooktop.

Repair Code: RC-096-03-00-003948
 Allotted Time: .50 HRS.
 Inspection Code: N/A
 Allotted Time: N/A
 Photo(s) Required: YES
 Prior Authorization Required: YES
 Part(s) Kit Number: F100240155
 Part(s) Return: NO

FIGURE 2



LOCATE THE LP OUTPUT LINE OF THE PHYSICAL GRIDDLE

NOTE: THIS WILL BE THE SIDE OF THE HOUSING THE BRACKET WILL BE MOUNTED TO

FOREST RIVER INC. PULASKI DIVISION - PUMA XLE PLANT		DESCRIPTION: LP HOSE SAFETY STOP ASSEMBLY	USED ON: MICRO KITCHENS	REV:
DRWN BY: mmcardle	CREATION DATE: 12/14/2020	DRAWING NUMBER: 21-18-101-BRACKET ASSEMBLY		2 OF 3

RECALL 20V799 / 2020-630 REMEDY INSTRUCTIONS



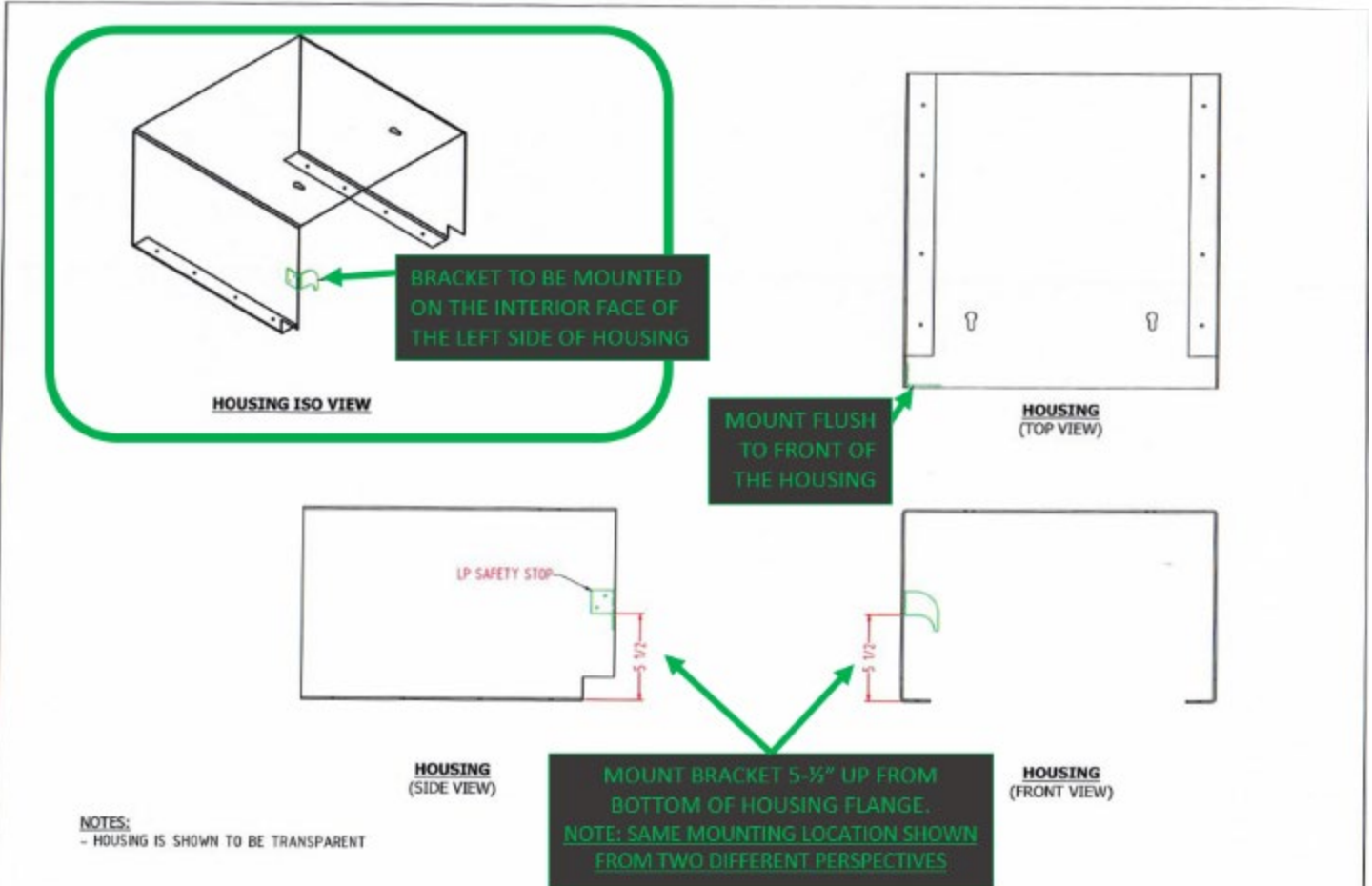
Make(s): PUMA TRAVEL TRAILER
 Model(s): PUT26RBSS (XLE LITE)
 Model Year(s): 2021

Concern:
 The exterior cooktop may be stowed and the exterior door may engage one of the two latches with the LPG line still connected to the cooktop.

Repair Code: RC-096-03-00-003948
 Allotted Time: .50 HRS.
 Inspection Code: N/A
 Allotted Time: N/A

Photo(s) Required: YES
 Prior Authorization Required: YES
 Part(s) Kit Number: F100240155
 Part(s) Return: NO

FIGURE 3



FOREST RIVER INC. PALM SPRING DIVISION - PUMA XLE PLANT		DESCRIPTION: LP HOSE SAFETY STOP ASSEMBLY	USED ON: MICRO KITCHENS	REV:
DRWN BY: mmcardle	CREATION DATE: 12/14/2020	DRAWING NUMBER: 21-18-101-BRACKET ASSEMBLY		3 OF 3