



Hydraulic Leveling System – Pump & Reservoir Support Bracket

| | | | |
|-----------------------|---------------------------------------|--------------------------|--------------------------------|
| Bulletin Type: | Safety Recall | Publication Date: | 2/12/2021 Revised 2/17/2021 |
| Bulletin #(s): | 20V-796 US Units 2021-001 CN Units | Make: | Jayco Motorized |
| Job Code(s): | 9903529 | Model(s): | Seneca |
| Flat Rate(s): | 1 Hour | Model Year(s): | 2015-2020 Revision |

| | |
|------------------------------------|-------------------------------------------------------------------------------------------------------------------------------------------------------------------------------------------------------------------------------------------------------------------------------------------------------------------------------------------------------------------------------------------------------------------------------------------------------------------------------------------------|
| Incident: | The support bracket for the hydraulic pump and reservoir can break; which would allow the pump and reservoir to fall and potentially make contact with the ground, increasing risk of an accident and/or property damage. |
| Affected Units: | Specific units with a hydraulic system installed by Jayco during the original build. CASE RECALL LINES in Jayco Partners note the affected unit serial numbers. |
| Parts Kit Contents: | Parts Kit #: 20V-796 |
| | <ul style="list-style-type: none"> 1 – Shim Kit (3 pieces) 2 ½" x 4 ½" x 16 GA Galv. Steel 1 - Plate, pump support 1 - Bracket, Pump support 1 – Bolt, Hex cap 7/16"-14 x 3 ½" GR5 Zinc 1 – Nut, Hex 7/16"-14 GR5 Zinc 2 – Washer, Flat 7/16" Dia. 1 – Washer, Lock split 7/16" Dia. Zinc 4 – Nut, Hex 3/8-16 GR5 Zinc 4 – Washer, Lock split 3/8" Dia. Zinc 4 – Bolt, Hex cap 3/8" 16 GR5 Zinc |
| Misc. Tools & Supplies: | <ul style="list-style-type: none"> ✓ Drill ✓ Drill Bits: 7/16", 3/8" & 1/4" ✓ Metric Sockets: 19mm & 14mm ✓ US Sockets 9/16" & 3/4" socket ✓ End Wrench 9/16" & 3/4" or adjustable wrench ✓ Ratchet or impact wrench ✓ Grease pencil ✓ Center punch ✓ Tape measure |

INSPECTION

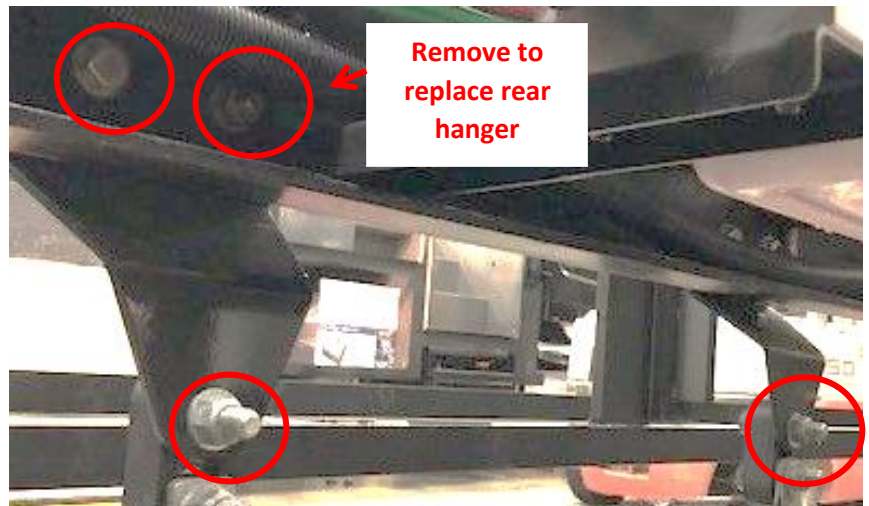
Validate the VIN of the unit is listed in the affected recall scope. Inspect Hydraulic hoses and connection for damage or leaks.

INSTRUCTIONS

Chock the motor home wheels prior to starting the repair.

Locate the leveling pump bracket (approximately) in the center of the motor home between the frame rails.

1. Using a $\frac{3}{4}$ " socket and wrench, remove the exhaust hanger bolts and the rear hangers bolts "Circled" in picture shown to gain access to the work area.



2. Install the flat hanger bracket at the rear of the exhaust as shown in the picture to the right.



3. Loosen tail pipe U-bolt. Pull the exhaust pipe out approximately 3-4" so you can access the frame rail with a drill. Tighten the U-bolt enough to keep it out of the way during the drilling process.

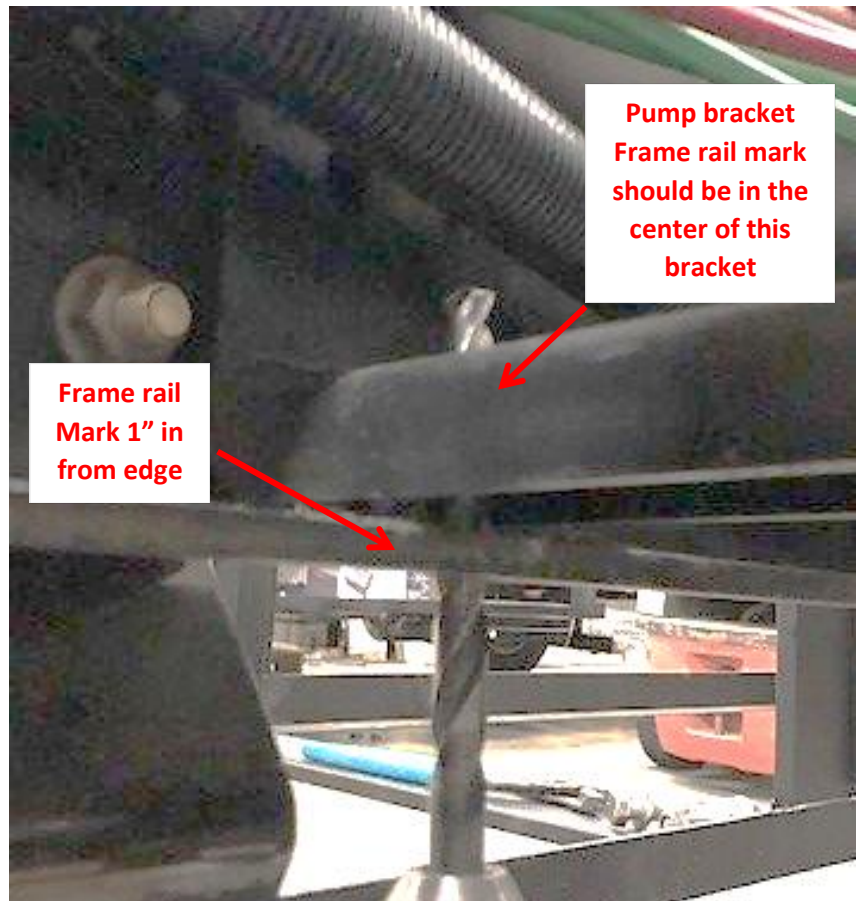


4. Using a center punch, mark the bottom rail 1" in from the edge of the rail and centered under the pump bracket.

Using a drill with a 1/4" bit, drill a pilot hole through the frame and continuing through the existing pump bracket.

NOTE: Make sure all wiring is clear of the drill bit as it clears the pump bracket.

Using the drill and a 7/16" drill bit, drill through the 1/4" pilot hole, again making sure you miss the wiring with the drill bit.



5. Check to see if there is a gap between the frame rail and the pump bracket. If there is a gap, install shim(s) provided in the gap. The number of shims required will vary depending on the size of the gap. If there is no gap, no shims are required.

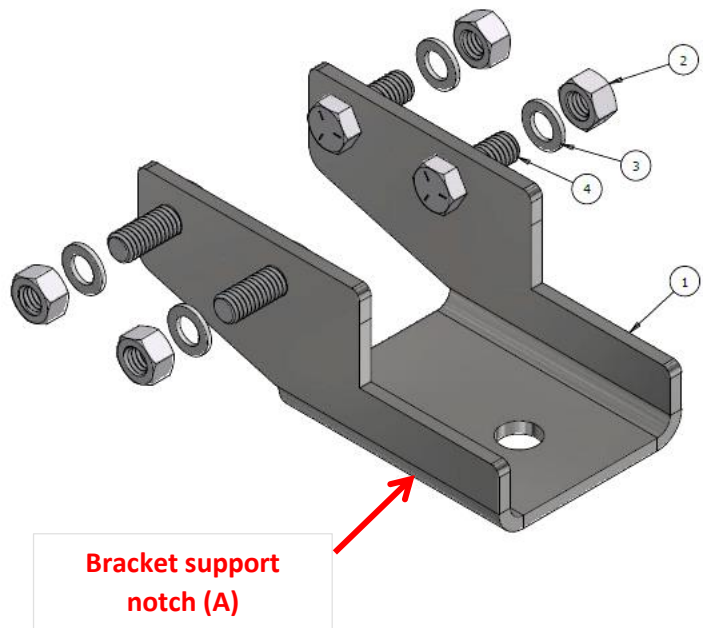
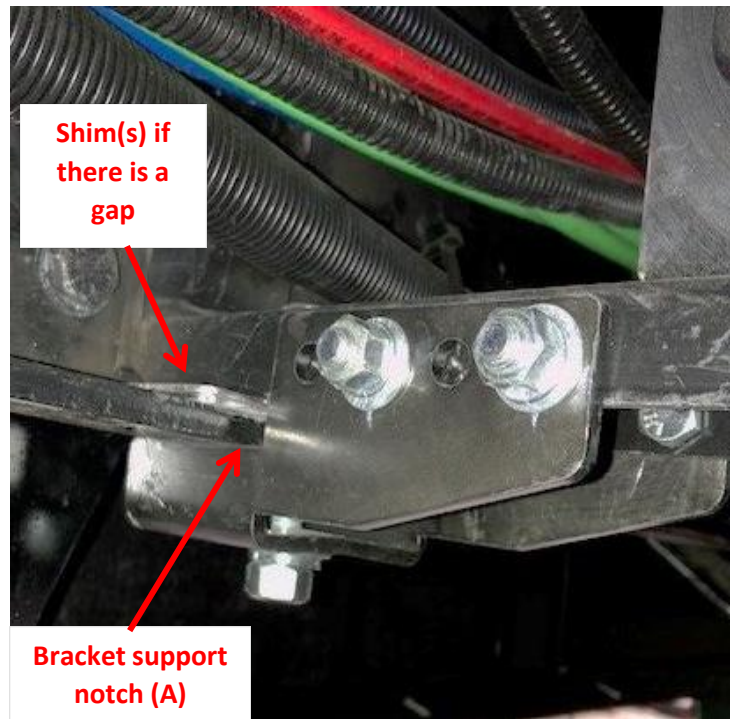
6. Position the new bracket support over the bracket and frame rail; the notch (A) in the picture, should be tight against the frame rail.

7. Install the 7/16" bolt and flat washer from the top of the pump bracket. Install the flat washer; lock washer and nut on the bolt.

8. Using the 3/4" socket on the nut and the open-end wrench on the bolt head, tighten the nut. Make sure the nut is tight and at least two threads protrude past the nut.

9. Using the holes in the bracket support as a template, drill (4) 3/8" Dia. holes into the existing pump bracket. Install (4) 3/8" bolts, washers and nuts. Using a 9/16" socket on the nut, and the open-end wrench on the bolt head, tighten the (4) nuts. Make sure they are tight.

10. Loosen the U-bolt on the exhaust pipe and return the pipe to the original position. Re-install both hanger bolts. Tighten both hanger bolts and the U-bolt. Make sure the nuts on all parts are tight.



Jayco's sole obligation under our limited warranty is to repair or replace defective materials and/or workmanship deemed our responsibility as determined by Jayco in our sole discretion. Jayco reserves the right to use new and/or remanufactured parts or materials of similar quality to complete any work, and to make parts and/or design changes as appropriate without notice to anyone. Jayco designs and/or materials changes are done without obligation to incorporate such changes in previously manufactured product. Jayco makes every reasonable effort to ensure field remedies will not adversely affect performance and/or safety of the unit. This field remedy is not intended to extend to future performance of this RV, or any of its materials, components or parts beyond the standard warranty period. The RV owner's obligation to notify Jayco, or one of its independent, authorized dealers, of a claimed defect does not modify any obligation placed on the RV owner to contact Jayco directly when attempting to pursue remedies under state or federal law. Jan. 2019.

903 South Main Street • P.O. Box 460 • Middlebury, IN 46540