

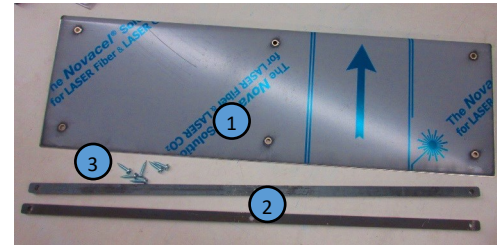
SOP03422

Recall QAAR 9845 U24RL Galley Overhead Heat Shield Install

Department: 32: Service
 People Required: 1
 Time to Complete: 10min
 Date Created: Nov. 12, 2020
 Date Revised: Rev #:
 Created by Initial: GK806 Verified: DP

The following are instructions for the installation of the U24RL galley overhead cabinet heat shield to comply with Transport Canada recall number QAAR 9845R1 and the US National Highway Transportation Safety Association (NHTSA) product safety recall, Campaign Number #738. The heat shield protection will prevent potential damage to the overhead cabinet from the cooktop.

Heat Shield Installation Kit

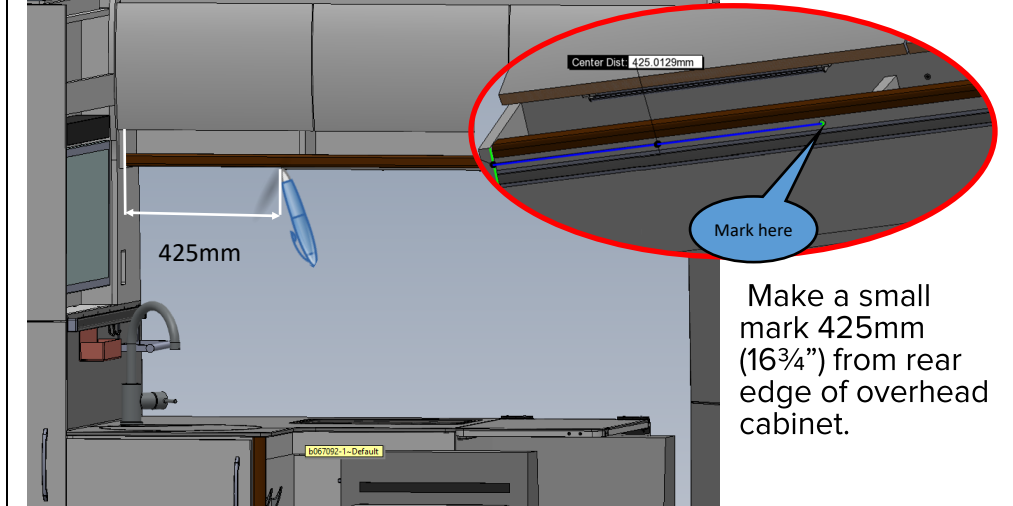


1. A stainless steel heat shield: B072848
2. Two steel shims B072849
3. 6 - #8X3/4" Pan head screw.

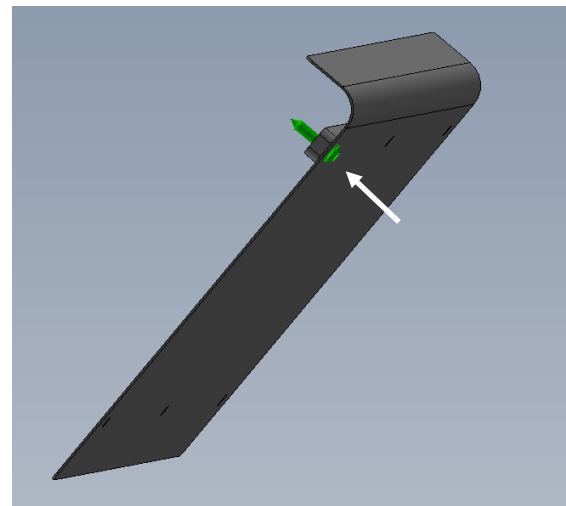
Tools Required:



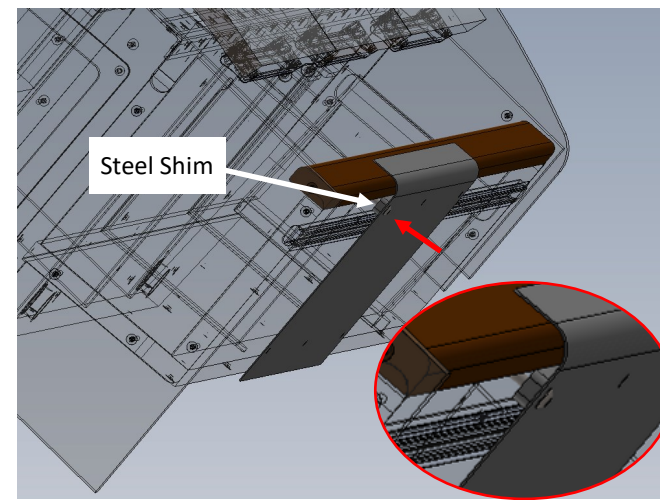
Remove the protective wrap from the heat shield and wipe away adhesive residue with Isopropyl alcohol.



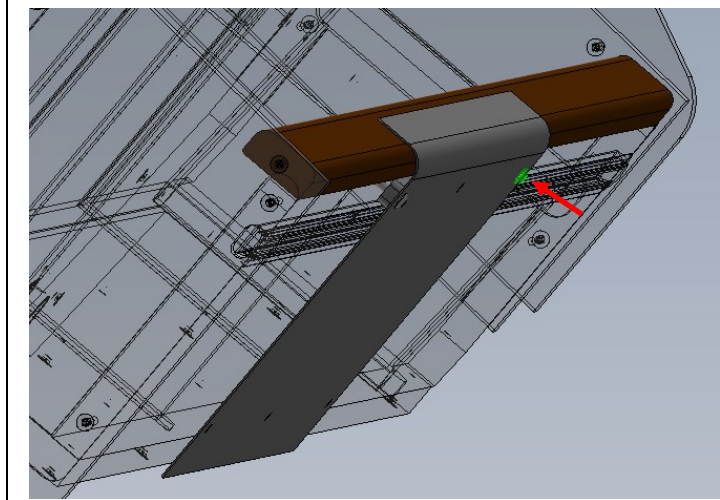
Make a small mark 425mm (16 3/4") from rear edge of overhead cabinet.



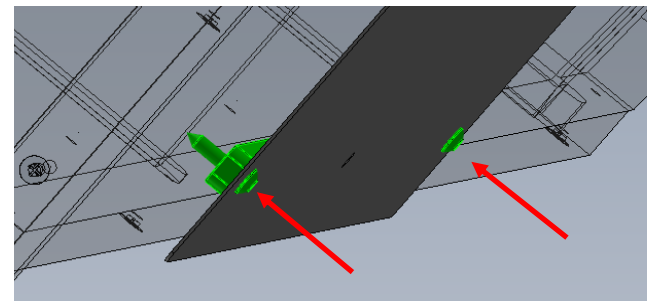
Slot the screw through the heat shield plate and then the steel shim on the top inner hole as shown.



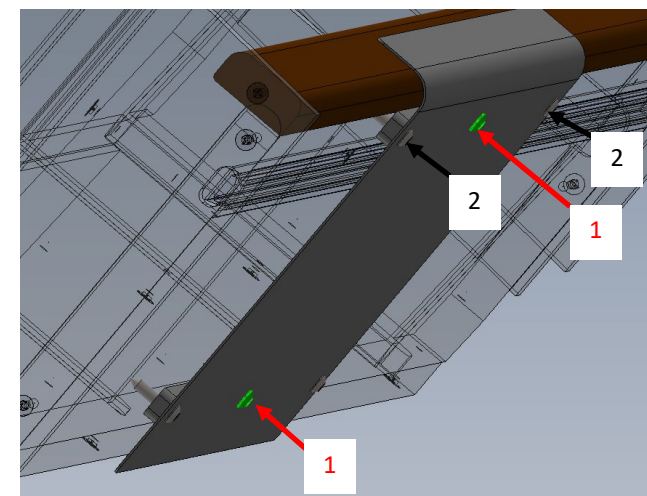
Line up the tip of the screw with the mark so the curve of the heat shield is firmly up against the curved edge of the face of the cabinet. Drive screw into base of overhead cabinet approximately half way.



Secure front plate and shim to cabinet base approximately half way. Make sure the front radius of the shield is flush with the cabinet.



Slip the rear shim between the heat shield and the cabinet and secure with a screw on each end. Make sure the front of the shield is flush to the front radius of the cabinet



1. Secure the center screws into the cabinet.
2. Fully tighten the front two screws from step 4 & 5

This concludes the U24RL galley overhead cabinet heat shield installation recall.

For any other questions or technical assistance, please call 1-877-992-9906 or Recalls@Tripleerv.com