

1. Applicability

Bugatti Chiron & Divo

2. VIN range

- List at the end of the document

3. Market Region

All <input checked="" type="checkbox"/>			
North America <input type="checkbox"/>	Middle East <input type="checkbox"/>	Europe <input type="checkbox"/>	Japan <input type="checkbox"/>

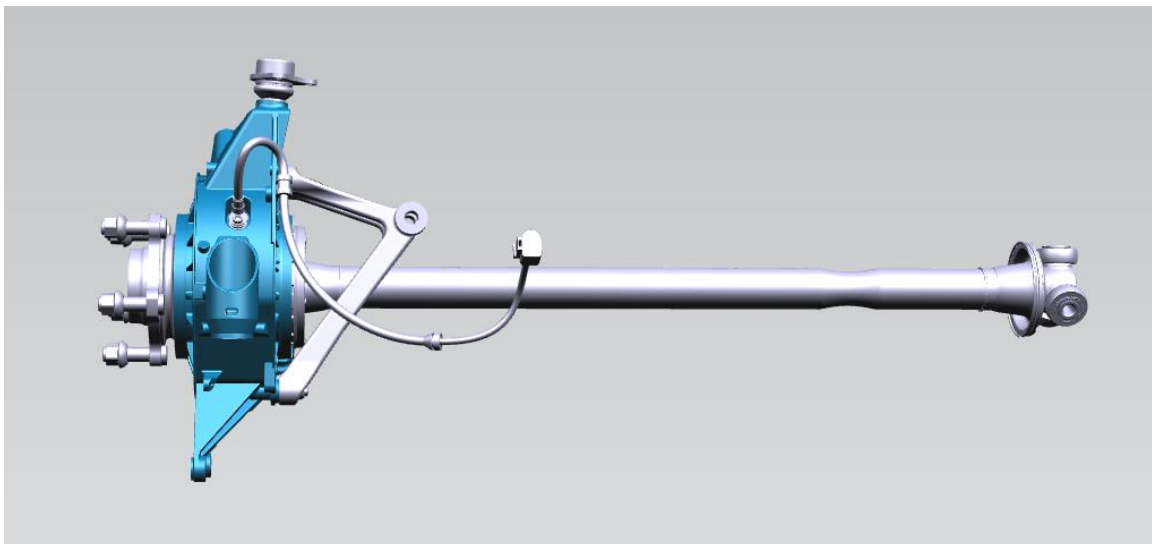
4. TPI object

The rear left drive shaft has to be replaced.

5. Description

The rear left drive shaft has to be replaced with the last parts index.

This replacement can only be performed by a Service Partner of Excellence



Warning:



Comply with the vehicle preparation measures for maintenance and repair procedures. Refer to the official Workshop Manual, "General instructions about the vehicle".

If in any doubt regarding this procedure, contact your Bugatti regional service manager.



6. Required parts

Designation	Parts number	Quantity
Rear left drive shaft	5B4501051L	1x
Screw	N 10689301	3x
Screw	N 10451302	1x
Screw	WHT 002 046	1x
Screw	WHT 007 534	2x
Screw	WHT 001 474	2x
Washer	WHT 007 521	2x
Nut	N 909 429 02	2x
Nut	N 104 355 06	3x
Nut	N 101 064 03	1x

7. Procedure

7.1. Operation

i - Comply with the instructions in the chapter “General instructions” → **page 27.**
 - Following the workshop manual instruction for every operation
 - Cleanliness must be ensured all along the procedure to avoid foreign bodies to enter the

- Replace the rear left drive shaft according to the workshop manual (*Workshop manual -> chassis*)
- Performed the Chassis alignment (*Workshop manual -> chassis*)
- Performed a test drive according to the test drive check list



032_BUGCR032_ Wheel_shaft_replacement.docx

Warranty information

<u>Operation</u>	<u>Repair Code</u>	<u>Time</u>
Wheel_shaft_replacement and chassis alignment	BUGCR032	7 hrs

Bugatti Bulletins are intended for use by experienced and trained technicians. If you lack the skills, tools, equipment and a suitable workshop for any procedure described in this document, we suggest you leave such repairs to an Authorized Bugatti Partner. See your Bugatti Partner for advice on whether your vehicle may benefit from the information contained within this document.

The information contained in this Bulletin is accurate at the date of publication. However, Bugatti Automobiles S.A.S. regularly updates technical information. Please check with your Bugatti Partner that the Bulletin you intend to use contains the latest available information.

© Bugatti Automobiles S.A.S. All Rights Reserved

Field Technical Information versions history		
Version	Modification	Author
V1.0	Creation of the file	L.Sandt



032_BUGCR032_ Wheel_shaft_replacement.docx

8. VIN range

VF9SD3V34LM	████████
VF9SD3V36LM	████████
VF9SD3V3XLM	████████
VF9SD3V3XLM	████████
VF9SP3V38LM	████████
VF9SP3V3XLM	████████
VF9SP3V32LM	████████
VF9SP3V36LM	████████
VF9SP3V32JM	████████
VF9SP3V36LM	████████
VF9SD3V38LM	████████