



SOP03419

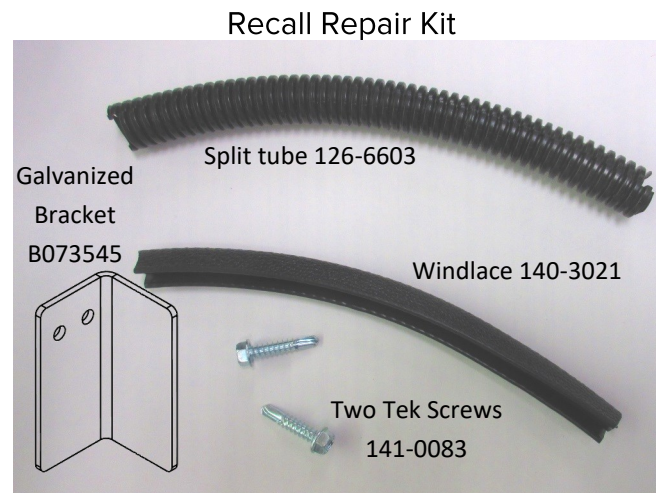
Recall 9835 Add Wire Harness Protection at Fresh Water Tank.

2018-2021MY: U24MB, U24FX, U24RL, S24CB

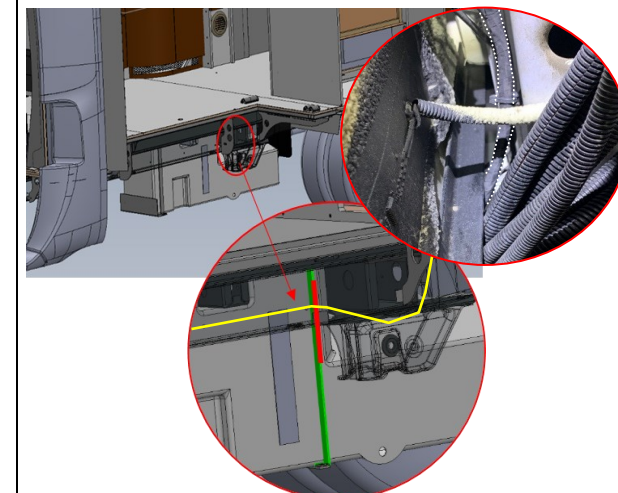
Department: 32: Service
 People Required: 1
 Time to Complete: 10 min
 Date Created: Nov. 10, 2020
 Date Revised:
 Created by Initial: GK

Rev #:1
 Verified: DP

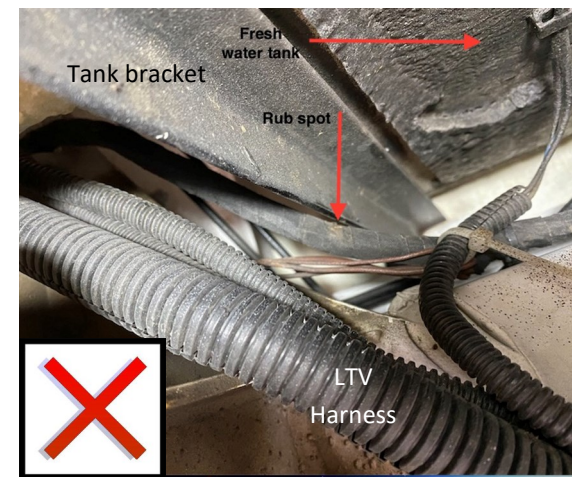
The following are instructions for trained technicians for the installation of wire harness protection to comply with Transport Canada recall number 2020-557 and the US National Highway Transportation Safety Association (NHTSA) product safety recall, Campaign Number 20V722. The new additional protection will prevent potential damage from taking place of the wire harness.



Locate the fresh water tank.
 In all cases it is mounted on the driver side just in front of the rear wheel.
 In coaches with a slide-out (U24MB/FX), open the slide for easier access.



Between the rear DS side tank bracket and the Sprinter chassis there is a wire harness routed along the frame (yellow line).
 At the potential contact point for the tank bracket, inspect for chaffing/damage of the Sprinter harness.

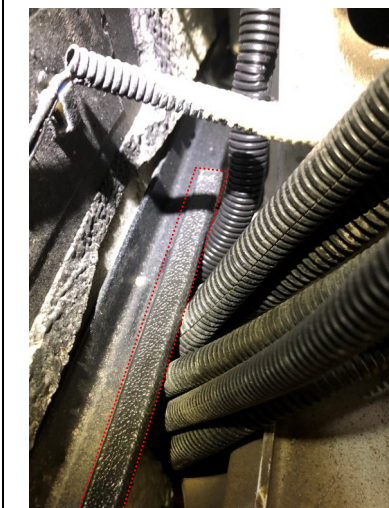


If wear is found on the Sprinter harness take a picture and contact Leisure Travel Vans at 1-877-992-9906-ext for further instructions.

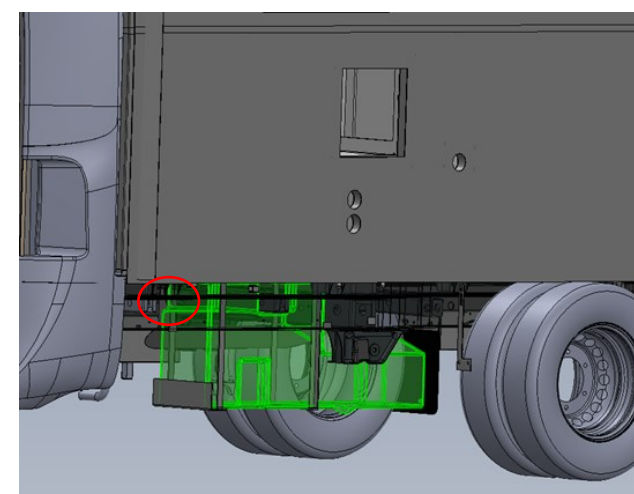
Note: Some 2019-2020MY motorhomes have a Leisure Vans harness covered in split tubing. This is not a part of this action.



If no damage is found, install the 200mm piece of split tubing (126-6603) over top of the Sprinter harness at the potential contact point with the tank bracket.



Install a 200mm (8 inches) piece of Windlace (140-3021) on the side of the angled hanger bracket at the potential contact point to protect the wiring harnesses.



Locate the bracket on the front passenger side of the fresh water tank.



Push tank toward driver side until solid.
 Install angled bracket (B073545) on driver side of tank, to the top hanger with two Tek screws (141-0083).

This concludes the wire harness protection for the fresh water tank recall.

For any other questions or technical assistance, please call 1-877-992-9906 or online at Recalls@Tripleerv.com