



PROTERRA

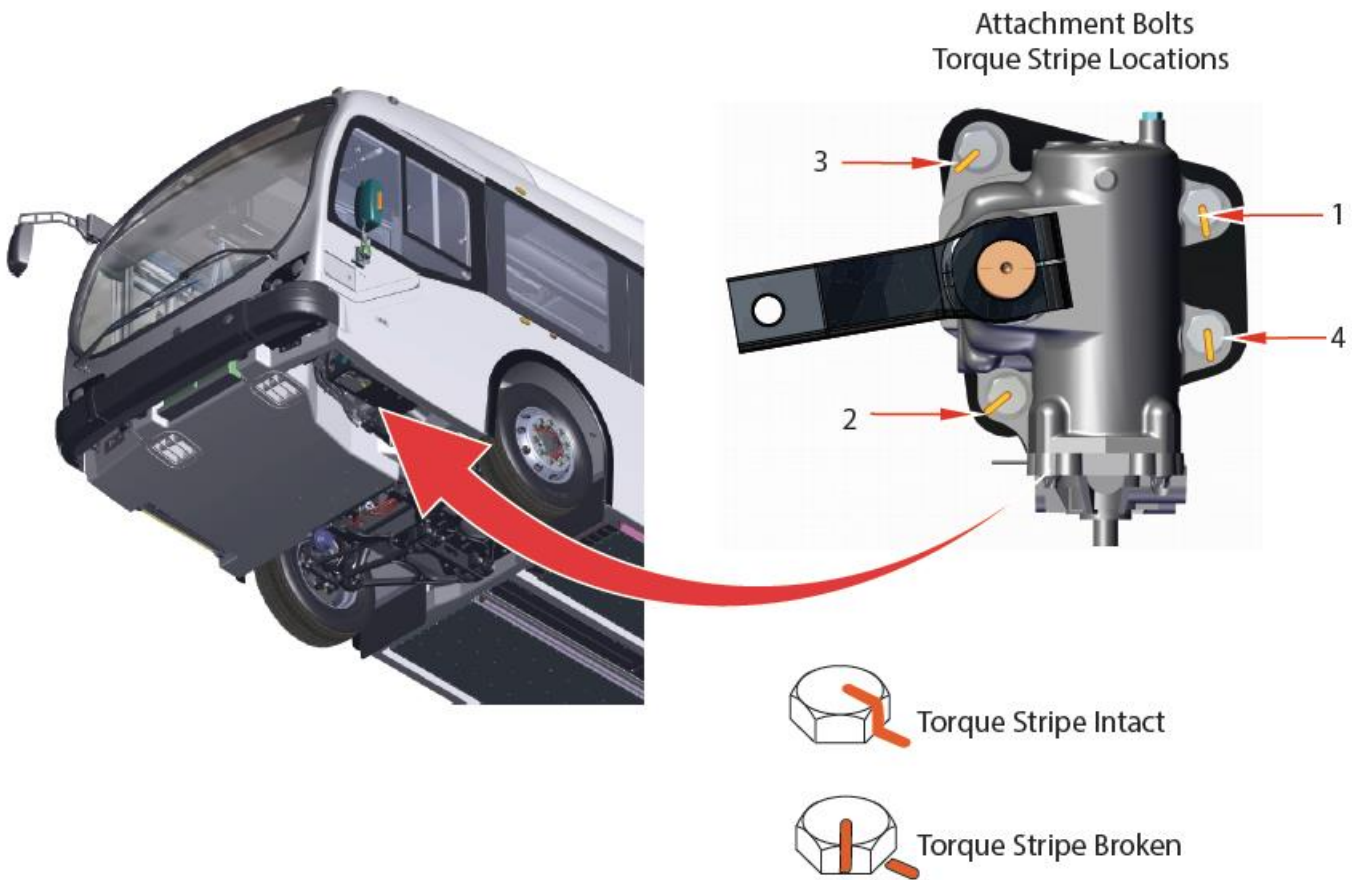
Proterra Catalyst Steering Gear Inspection Form

FLEET LOCATION / FLEET #: _____

Using the following illustrations, inspect the Steering Gear mounting bolts. Check each location shown for any signs of loose fasteners or broken torque stripes and mark the area on the image. Immediately report any suspected issues to the Transit Agency and Proterra.

With vehicle lifted and properly secured on jack stands or other lifting/supporting device, perform the following:

Step 1: Working one bolt at a time, visually confirm the presence of a torque stripe and that it is not “broken”. Perform this inspection on each of the four bolts and indicate on this form, any bolt which has a broken torque stripe.



Step 2: Using a 1-5/16” Socket and Ratchet, hand check each bolt to ensure there is no loose condition. If a loose condition is detected, indicate on this form which bolt had the loose condition.

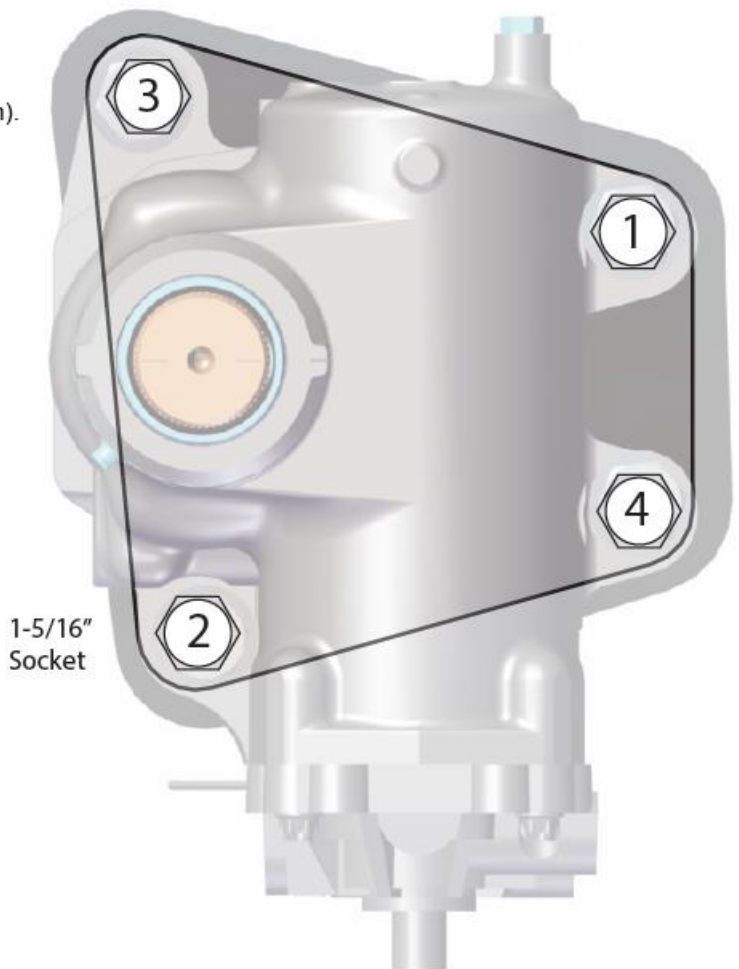
Step 3: If a loose condition is detected, or if a bolt has a missing or broken torque stripe, perform the following:

- A) Verify and follow the cross-torque pattern (shown) to step-torque each bolt.
- B) Working one bolt at a time, initially step-torque each mounting bolt to **150 ft-lb (203Nm)**.
- C) Working one bolt at a time, step-torque each mounting bolt to **300 ft-lb (407Nm)**.
- D) Working one bolt at a time, final torque to each mounting bolt to **450 ft-lb (610Nm)** and then torque stripe the bolt tightened.

IMPORTANT! TORQUE STRIPE EACH BOLT AS IT IS COMPLETED. DO NOT WAIT AND TORQUE STRIPE THEM AT THE SAME TIME.

- Initially step torque all mounting bolts to 150 ft-lb (203Nm).
Follow the torque sequence shown in diagram.
- Apply step torque of 300 ft-lb (407Nm).
Follow the torque sequence shown in diagram.
- Apply final torque of 450 ft-lb (610Nm).
Follow the torque sequence shown in diagram.

- Torque stripe all four bolts.



Step 4: Use this form to mark the location of ANY problem with the steering gear bolts and immediately notify Proterra Service Leader, Daniel Patterson, if a loose condition was documented.

Step 5: Complete the *Steering Gearbox Mounting Bolt Torque Fleet Check* survey and/or return this form to Proterra Customer Service as soon as possible.

Transit Agency Representative: _____

Date: _____

Proterra Representative: _____

Date: _____