



Bedlift System- Defective Motor

Bulletin Type:	Safety Recall	Publication Date:	November 18, 2020
Bulletin #(s):	20V-662 US Units 2020-548 CN Units	Make(s):	Jayco Entegra
Job Code:	9903525	Model(s):	Alante, Precept, Precept Prestige Emblem, Vision, Vision XL
Flat Rate:	.8 hour	Model Year:	2021

Incident:	Motor in the LCI P2K Bedlift System may fail due to internal gear failure, causing the bed to extend from a stowed position.
Affected Units:	<p>2021 Alante M1<u>AS</u>4066-4087 <u>AU</u>4074-4093</p> <p>2021 Precept M1<u>UG</u>4069-4074, 4077-4090. 4092 <u>UL</u>4052-4055, 4057-4059,4061,4063, 4065-4066, 4070-4071,4073-4075 <u>UV</u>4051-4056, 4058</p> <p>2021 Emblem M1<u>DH</u>8051-8063 <u>DU</u>8051-8061, 8065</p> <p>2021 Vision M1<u>AF</u>8066 <u>AS</u>8066-8085 <u>AU</u>8051-8075</p> <p>2021 Vision XL M1<u>UG</u>8064, 8066-8067, 8070-8072, 8074-8080</p>
Parts Kit:	<p>Parts Kit #: 20V-662</p> <p>Parts Kit Contents: 1 motor</p>

Jayco's sole obligation under our limited warranty is to repair or replace defective materials and/or workmanship deemed our responsibility as determined by Jayco in our sole discretion. Jayco reserves the right to use new and/or remanufactured parts or materials of similar quality to complete any work, and to make parts and/or design changes as appropriate without notice to anyone. Jayco designs and/or materials changes are done without obligation to incorporate such changes in previously manufactured product. Jayco makes every reasonable effort to ensure field remedies will not adversely affect performance and/or safety of the unit. This field remedy is not intended to extend to future performance of this RV, or any of its materials, components or parts beyond the standard warranty period. The RV owner's obligation to notify Jayco, or one of its independent, authorized dealers, of a claimed defect does not modify any obligation placed on the RV owner to contact Jayco directly when attempting to pursue remedies under state or federal law. Jan. 2019.

903 South Main Street • P.O. Box 460 • Middlebury, IN 46540



EUROLOFT™ BED LIFT MOTOR REPLACEMENT

TSB Number:	20E-074
Product:	EuroLoft™ Bed Lift Motor
Date:	10/21/2020

Safety

This document provides general instructions. Many variables can change the circumstances of any procedure, i.e. the degree of difficulty involved in the service operation and the ability level of the individual performing the operation. This document cannot begin to plot out procedures for every possibility, but will provide the general instructions for effectively installing, removing or servicing the system. In the event the skill level required is too advanced or the procedure too difficult, a certified technician should be consulted before performing the necessary operation. Failure to correctly install, remove or service the system may result in voiding the warranty, inflicting injury or even death.



The "WARNING" symbol above is a sign that a procedure has a safety risk involved and may cause death, serious personal injury, severe product and/or property damage if not performed safely and within the parameters set forth in this document.

Resources Required

- Assistant
- Two Flathead Screwdrivers
- Appropriate Sockets and Ratchet
- Super Lube® Grease
- Non-permanent Method of Marking

Preparation

All installation operations should be carried out by skilled and authorized technicians.

Instructions

Removal

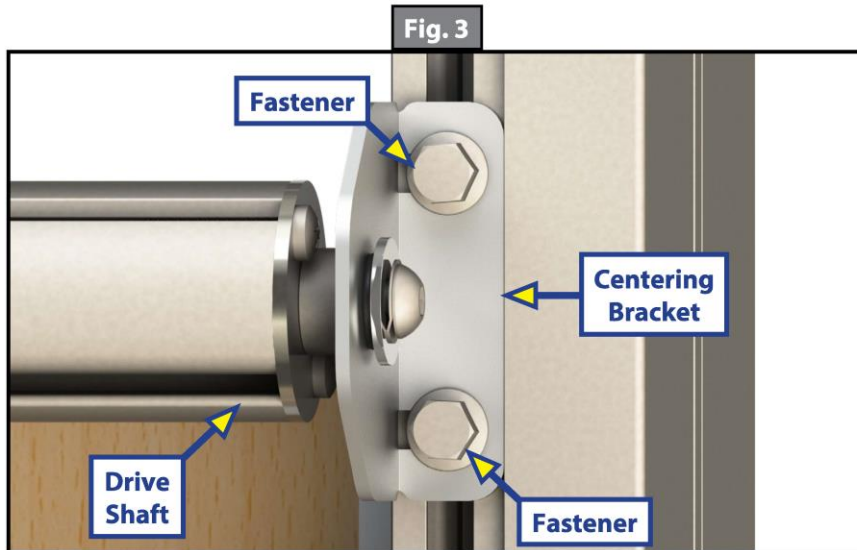
1. Support the bed frame at all lift strap locations, or so that all four corners cannot drop while working underneath the bed frame.
2. Remove the mattress from the bed frame.
3. Disconnect the main wire harness from the motor.
4. Locate the drive shaft centering bracket (Fig.3) that is attached to the drive shaft, located on the opposite side of the motor support bracket (Fig.4). Mark the position of the centering bracket with a non-permanent method of marking.
5. Remove the two fasteners (Fig.3) that hold the centering bracket (Fig.3) in place.



EUROLOFT™ BED LIFT MOTOR REPLACEMENT

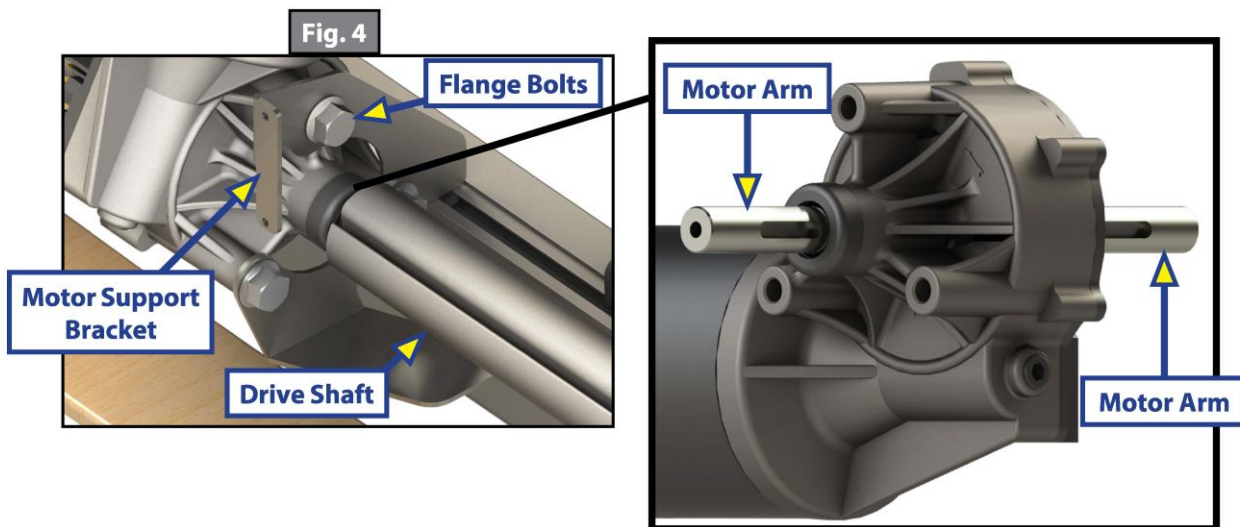
TSB Number:	20E-074
Product:	EuroLoft™ Bed Lift Motor
Date:	10/21/2020

NOTE: Do not allow the bed support belts to unspool. If this happens, re-wrap the belts the same amount of rotations on the drive shaft.



6. Slide the drive shaft off of the motor arm (Fig.4).
7. Disconnect the motor from the motor support bracket by removing the three flange bolts (Fig.4) from the motor support bracket.

NOTE: Mark the position of the three flange bolts and the corresponding positions on the motor.





EUROLOFT™ BED LIFT MOTOR REPLACEMENT

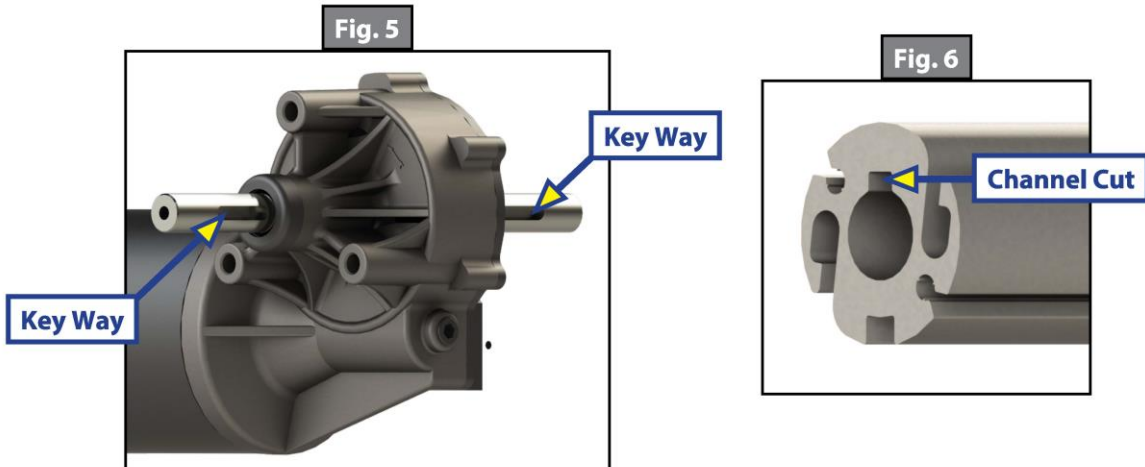
TSB Number:	20E-074
Product:	EuroLoft™ Bed Lift Motor
Date:	10/21/2020

Installation

NOTE: When installing the new motor, grease motor arm for easier drive shaft installation.

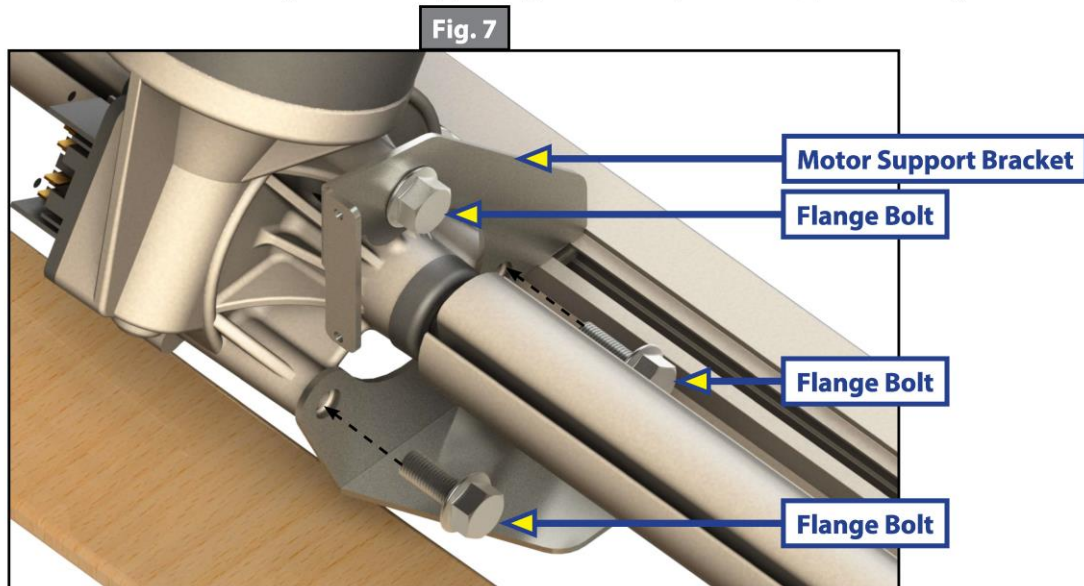
1. Align the motor arm key way (Fig.5) to the corresponding channel cut (Fig.6) on the drive shaft that is still attached to the bed frame.
2. With the drive shaft key in the motor arm key way, slide the drive shaft onto the motor arm.

NOTE: Drive shaft will not slide onto the motor arm if it is not aligned properly.



3. Attach new motor to the motor support bracket using previously-removed three flange bolts (Fig.7).

NOTE: To insure that cross threading does not happen, tighten bolts by hand first, prior to using hand tools.





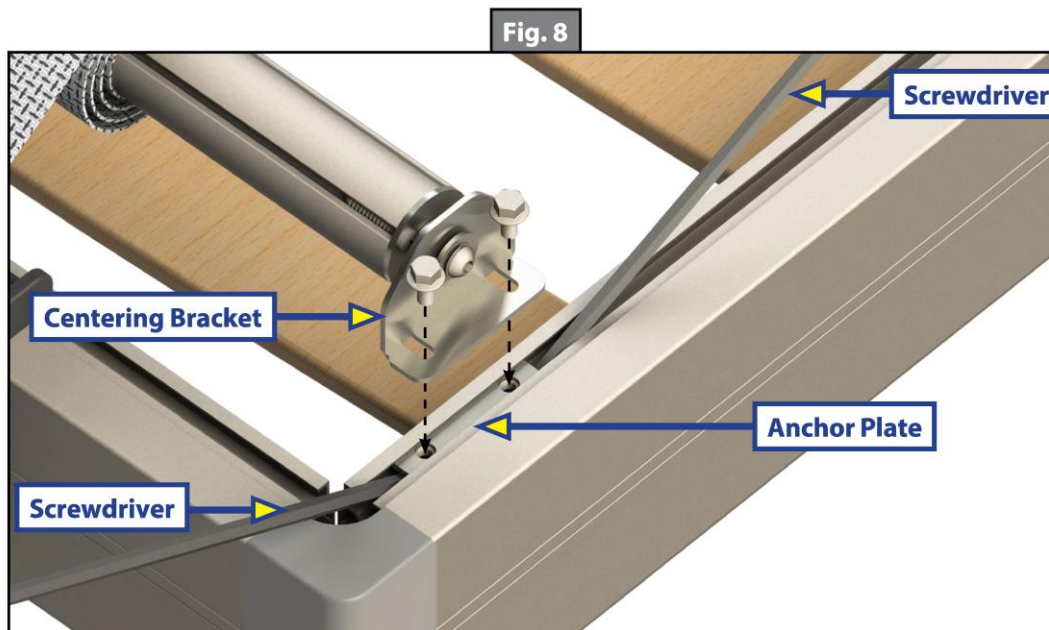
EUROLOFT™ BED LIFT MOTOR REPLACEMENT

TSB Number:	20E-074
Product:	EuroLoft™ Bed Lift Motor
Date:	10/21/2020

- Place the centering bracket (Fig.8) of the previously-removed drive shaft over the corresponding channel within the bedframe.

NOTE: Use reference mark made in previous steps, to lineup the centering bracket.

- Support the anchor plate within the channel using two flathead screwdrivers (Fig.8), and have an assistant fasten the two previously removed fasteners into the anchor plate.



- Once bolts are secured, use an appropriate socket and ratchet to firmly secure bolts.
- NOTE:** With motor in place, check drive shaft to make sure it is straight.
- Check support belt tension, and that belts are wrapped evenly.
 - Plug in the main wiring harness
 - With mattress still removed and no load on the bedframe, test the operation of the bed.

As a supplier of components to the RV industry, safety, education and customer satisfaction are our primary concerns. Should you have any questions, please do not hesitate to contact us at (574) 537-8900 or by email at customerservice@lci1.com. Self-help tips, technical documents, product videos and a training class schedule are available at lci1.com or by downloading the MyLCI app.