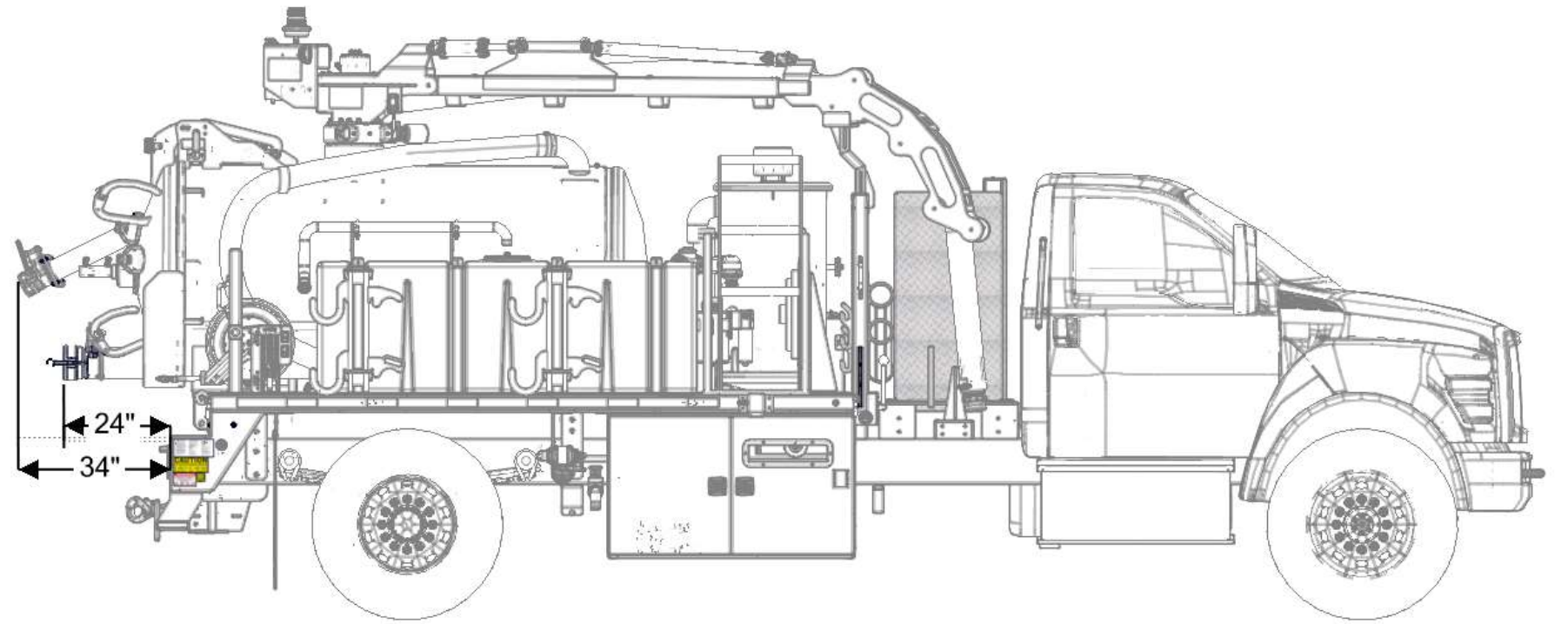
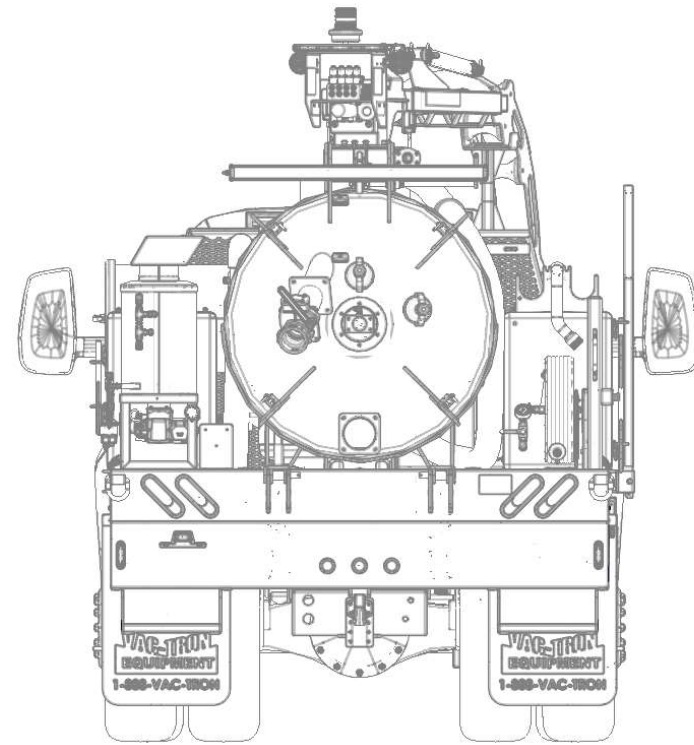
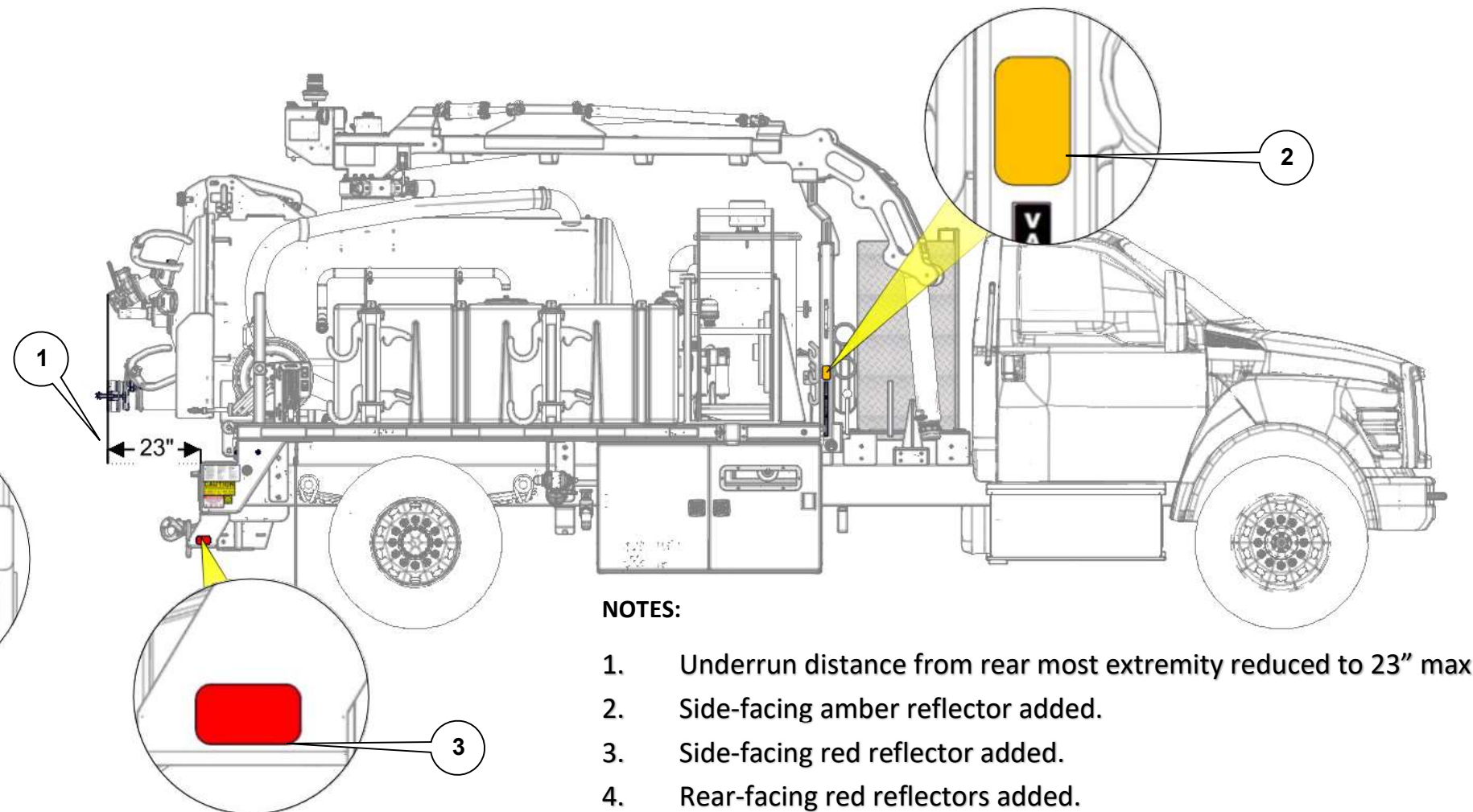
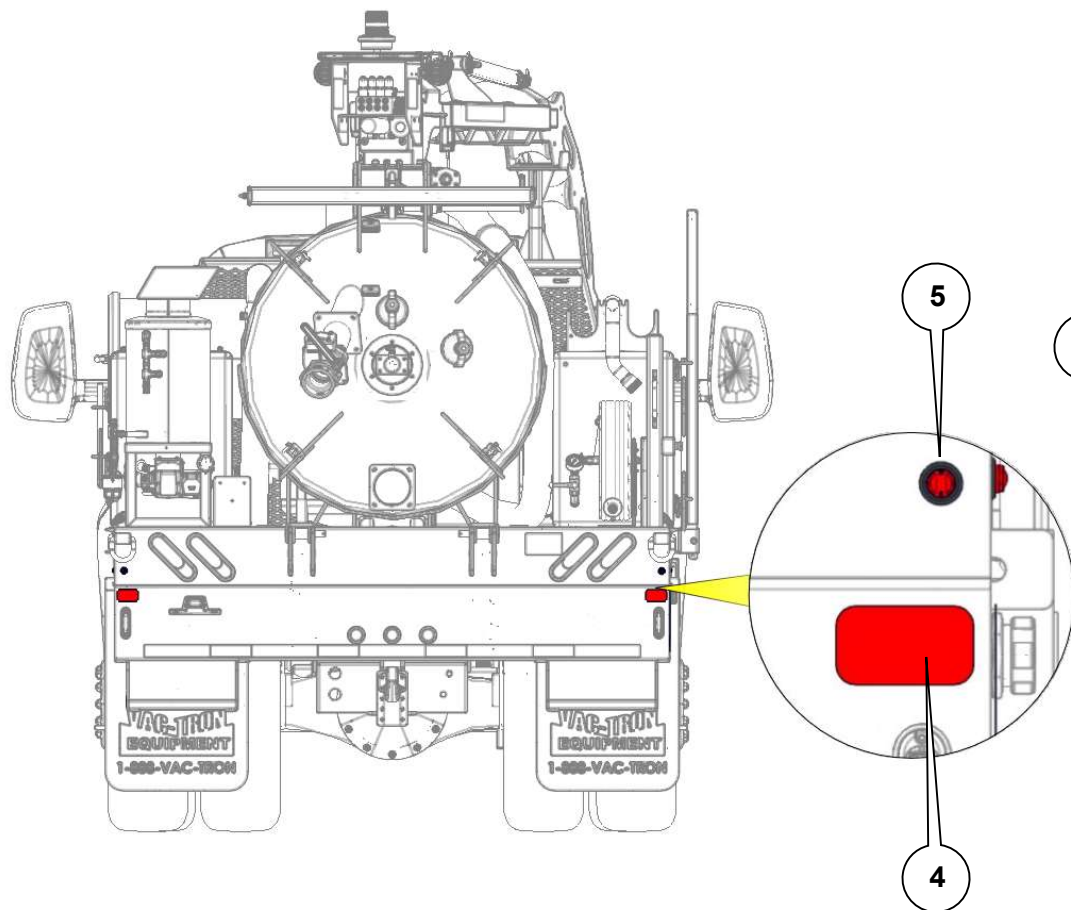


**BEFORE VVK000011**



**AFTER VVK000011**



**NOTES:**

1. Underrun distance from rear most extremity reduced to 23" max.
2. Side-facing amber reflector added.
3. Side-facing red reflector added.
4. Rear-facing red reflectors added.
5. Rear-facing red marker lights added.