



SIB 34 03 21 RECALL 20V-476 BRAKE CALIPER CHECK (K67)

2021-03-18

This Service Information Bulletin replaces SI 34 03 21 **dated March 2021**.

This bulletin applies to recall 20V-476 for **K67 S1000RR Motorcycles ONLY**. For K5x and K69 motorcycles, see bulletin SI: *34 02 21 RECALL 20V-476 BRAKE CALIPER CHECK (K5X, K69)*

MODEL

Series	Model Description
K67	S 1000 RR

The affected vehicles have been marked with campaign number 0000348700

In order to determine if a specific vehicle is affected by this campaign it will be necessary to verify the vehicle VIN in AIR (Aftersales Information Research). Based on the response of the system, either proceed with the repair or take no further action. Please note, open campaigns or vehicle stops may not appear in DCS Warranty Vehicle Inquiry or sales systems until 24-72 hours after they are announced, therefore AIR is always the recommended method for determining open campaigns and vehicle stops.

NHTSA STATEMENT

Please be reminded that it is a violation of federal law (The Safety Act) for you to sell, lease or deliver any new motorcycle covered by this notification until the recall repair has been performed. This means that dealers may not legally deliver new motorcycles to consumers until they are fixed or use/sell replacement equipment/parts subject to this recall. Note also that substantial civil penalties apply to violations of the Safety Act. Also, you should not sell, lease or deliver any Certified Pre-Owned or used motorcycles subject to a safety recall until the repair is completed. Please follow any special instructions that we provide to you for the return or disposition of recall parts.

SITUATION

The front brake calipers may show slight sweat marks or isolated drops of brake fluid. Although this low-pressure leakage has been shown to have no effect on brake performance, BMW Motorrad is conducting a non-compliance recall to inspect each vehicle and replace the calipers if necessary.

Letters were mailed to owners via First Class mail advising them of this recall. A second letter will be mailed to owners soon as parts are becoming available asking them to schedule an appointment with an authorized BMW Motorrad dealer to have the inspection performed.

In the case of vehicles that have not yet been delivered, the campaign must be carried out **before delivery** to the customers. Vehicles have been marked with a delivery stop and campaign number 0000348700.

CORRECTION

For vehicles already in service: A visual inspection of the front brake calipers must be performed to check for staining or isolated drops. If traces of brake fluid are found, the calipers must be replaced. Calipers must always be replaced in pairs.

For new vehicles that have not yet been delivered: An inspection is not necessary, the front brake calipers must be replaced before delivery to the customer. New bikes (in the pipeline) as of March 1, 2021 will arrive at your dealer already repaired.

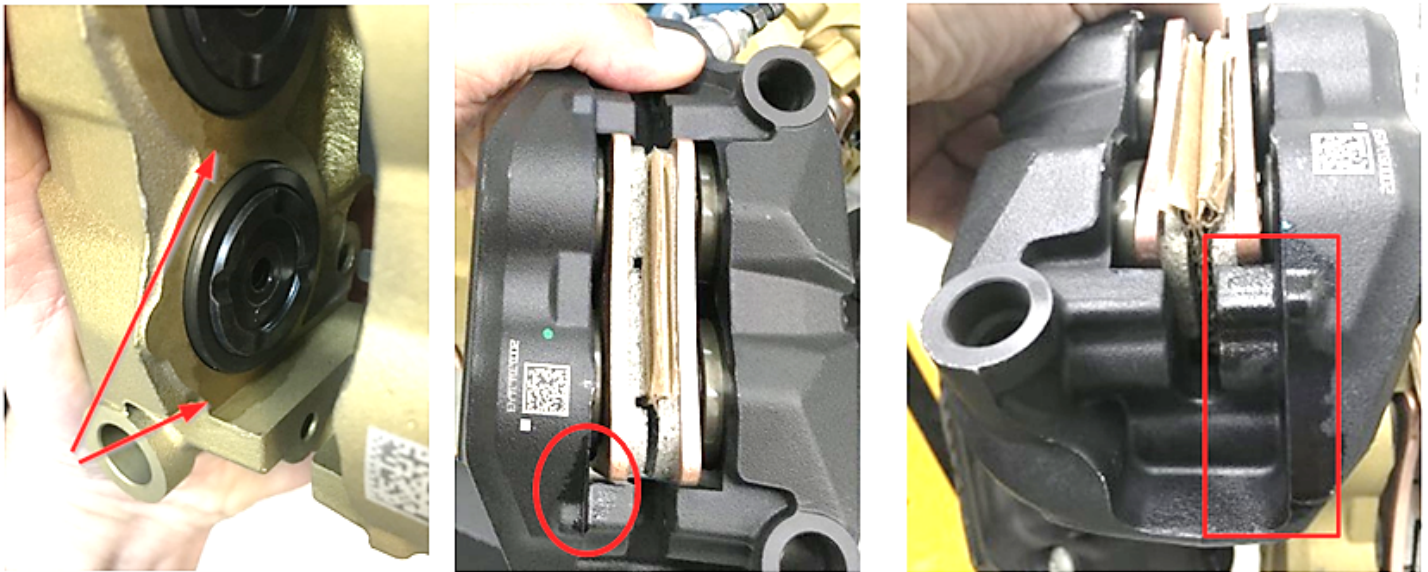
PROCEDURE

For vehicles already in service:

- Remove Brake Calipers
- Remove Brake Pads
- Visually assess the surfaces of the brake caliper
- If any trace of brake fluid is visible the caliper must be replaced (fig 1).

A TSARA case is not required when replacing calipers.

Figure 1: Examples of Staining or Leaking:



If the brake calipers are to be replaced, the following steps must also be completed:

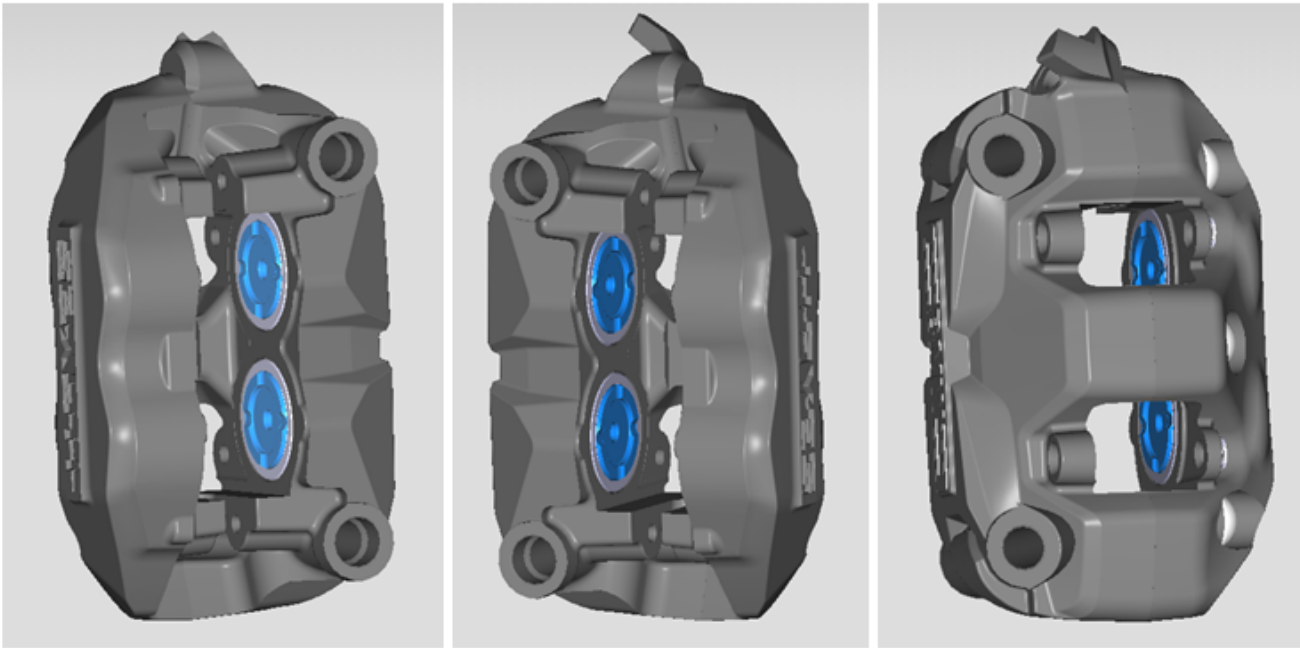
- Replace the handbrake fitting
- Program motorcycle to the newest I-Level using ISTA version 4.28.1x or later (integration level K001-21-03-501 or newer)
 - **TIP:** Switch Ignition ON before connecting the ICOM for quicker programming.
- Re-program the ABS control unit using ISTA version 4.28.1x or later (integration level K001-21-03-501 or newer) with the "NISSIN brake caliper" conversion.

The conversion of the brake calipers and the handbrake fitting must be carried out in accordance with the attached Repair Instruction "00 60 384 – Replacing brake calipers".

Programming to update control units can be invoiced by following Service Bulletin 00 04 21.

Photographic documentation

If no traces of brake fluid are detected on a customer vehicle, a TSARA case must be created for documentation with the following views of the brake calipers; both calipers must be photographed.



PARTS INFORMATION

Orders can be placed **today** with the new ordering processes outlined below and will be released as parts arrive. This new process will be used for the entire campaign.

As parts stock will be limited, parts will be allocated to urgent requests first. Urgent requests are defined as a customer bike down, an escalated consumer complaint or a sold unit that is waiting delivery after the recall remedy is implemented. **PLEASE FOLLOW THE BELOW PROCEDURE FOR ORDERING PARTS. IDS TICKETS ARE NOT NECESSARY TO OBTAIN PARTS. Each VIN can only be ordered once. Do not place an order for a customer's bike unless the bike is at the dealership or the customer has scheduled an appointment.**

Category 1 - Customer Bike Down, Escalated Consumer Complaint, or standard Service Request:

YOCV Campaign Number: 3103358517

Parts for this category should be ordered using the "YOCV Campaign" order type function in DCSnet. Attached you will find step by step instructions for placing this order with this order type. You will need to order by the below campaign number using the full VIN of the relevant motorcycle.

Each order placed will receive the required calipers, brake pads and additional parts. Sealing rings will not be included due to pre-pack rounding; dealers should order as needed.

Category 2 - Sold unit that is waiting delivery:

YOCV Campaign Number: 3103358518

Parts for this category should be ordered using the "YOCV Campaign" order type function in DCSnet. Attached you will find step by step instructions for placing this order with this order type. You will need to order by the below campaign number using the full VIN of the relevant motorcycle.

Each order placed will receive the required calipers, brake pads and additional parts automatically. Sealing rings will not be included due to pre-pack rounding; dealers should order as needed.

Pre-owned units in dealer inventory will not appear in this campaign. Please use the Category 1 Campaign Numbers for these bikes.

If you have an ordering issue using the above process, please open an IDS Ticket first and include the VIN.

Part Number

34 11 7 105 637	Brake caliper, left
34 11 7 105 638	Brake caliper, right
34 11 1 542 307	2× Brake pad set, front
34 11 1 542 308	2× Set, mounting parts for brake pads
34 11 7 105 710	4× Fitting sleeve
07 11 9 907 389	4× Cheese head screw
32 72 9 829 276	Handbrake fitting
07 11 9 963 072	6× Sealing ring - Not included in dealer shipments
81 22 0 142 156	Brake fluid (can be entered on the warranty claim under a Sublet 04)

Special tool

83 30 5 A3F F85	Anti-twist lock
-----------------	-----------------

NOTICE: Two of these special tools will automatically be sent to each dealer.

WARRANTY INFORMATION

Reimbursement for this Service Action will be via normal claim entry utilizing the applicable work package information below and the part numbers listed above that apply:

CHECK ONLY:

Defect code

00 00 34 87 00	Check brake calipers and replace where needed
-------------------	---

Labor Operation

00 60 367	Checking front brake calipers	5 FRU
+00 60 867	Checking front brake calipers	4 FRU
00 60 739	Additional work – photo documentation	1 FRU

FRUs includes all repair procedures to complete the task with allowance for necessary ancillary tasks (e.g., visual inspection, lubrication, cleaning parts etc.) and administrative tasks.

Labor operation code 00 60 367 is a Main labor operation. If you are using a Main labor code for another repair, use the Plus code labor operation instead.

CHECK AND REPLACE:

Defect code

00 00 34 87 00	Check brake calipers and replace where needed
-------------------	---

Labor Operation

00 60 384	Replacing front brake calipers	12 FRU
+00 60 884	Replacing front brake calipers	11 FRU
+61 00 502	Testing software	2 FRU
61 00 510	Programming control units of vehicle (along with testing software)	2 FRU

FRUs includes all repair procedures to complete the task with allowance for necessary ancillary tasks (e.g., visual inspection, lubrication, cleaning parts etc.) and administrative tasks.

Labor operation code 00 60 384 is a Main labor operation. If you are using a Main labor code for another repair, use the Plus code labor operation instead.

QUESTIONS REGARDING THIS BULLETIN

Technical inquires	Contact the BMW Technical Support Group via TSARA
Warranty inquires	Submit an IDS ticket to the Warranty Department
Parts inquires	Submit an IDS ticket to the Motorrad Parts Department

Supporting Materials

[picture_as_pdf 34 03 21 Recall 20V-476 Brake Caliper \(K67\).pdf](#)

[picture_as_pdf How to Use YOCV Campaign Order.pdf](#)

[picture_as_pdf 34 03 21 Installation and Programming Tips.pdf](#)

[picture_as_pdf REPAIR MANUAL RM_0060384_0000348700_EN.pdf](#)

00 60 384 Replacing front brake calipers

⚠ WARNING

Missing software adjustment (when converting to NISSIN brake calipers)

ABS adjustment of NISSIN brake calipers is **not** identical with that of Hayes brake calipers.

- Update software

⚠ WARNING

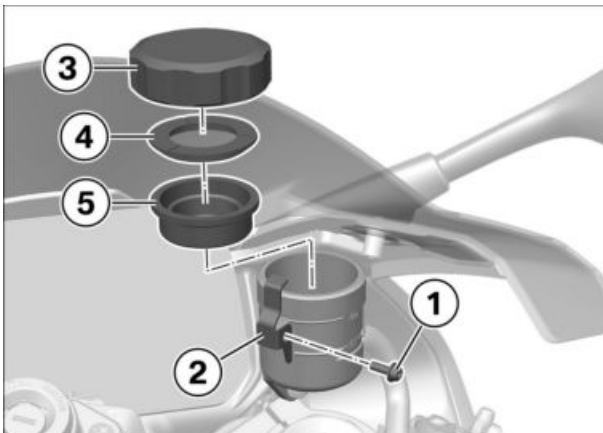
Unauthorized change installation of handbrake fitting and NISSIN/Hayes brake caliper

Reduced braking effect, increased hand force

- Install correct handbrake fitting for Nissin brake calipers ("**11/16**" mark on the bottom)

Additional work: 46 52 510 Removing and installing the rear-wheel stand special tool (motorcycles without centre stand)

1



► Drain the front brake system

▷ Drain the brake fluid reservoir on handbrake lever fitting

- Remove bolt (1) and remove retaining bracket (2).

⚠ ATTENTION

Brake fluid on painted surfaces, plastic and rubber components

Material damage

- Do not allow brake fluid to come into contact with painted surfaces, plastic or rubber components.
- Wash components immediately with clear water if required.

- Remove the reservoir cap (3) with support disc (4) and gaiter (5).

- Draw off the old brake fluid and clean the reservoir.

▷

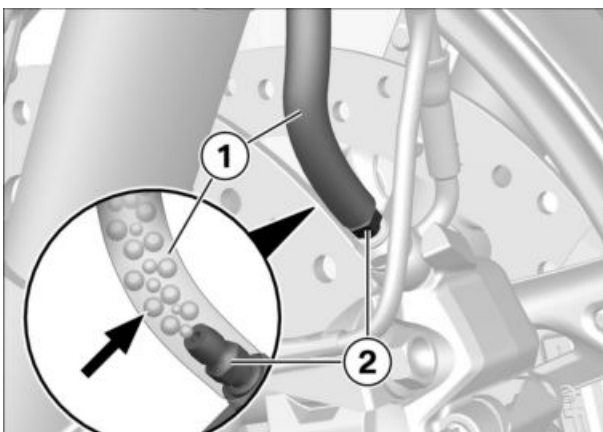
- Connect the bleeder unit to bleeder screw (2) on the left brake caliper.

- Slightly open the bleeder screw (2).

- Draw off brake fluid until it ceases to emerge (arrow).

- Close bleeder screw (2) of the left brake caliper.

- Repeat this procedure at the right brake caliper until the brake system is completely drained.



2

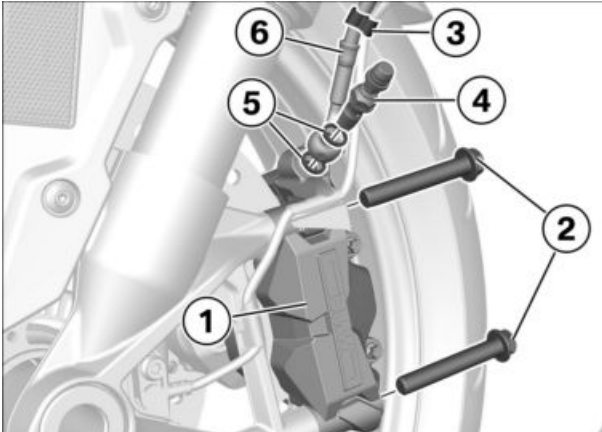
► Removing front left Hayes brake caliper

ATTENTION

Brake fluid on painted surfaces, plastic and rubber components

Material damage

- Do not allow brake fluid to come into contact with painted surfaces, plastic or rubber components.
- Wash components immediately with clear water if required.



- Loosen holder (3).
- Remove banjo bolt (4) with sealing rings (5).
- Remove brake line (6).
- Remove screws (2) and brake caliper (1).

3

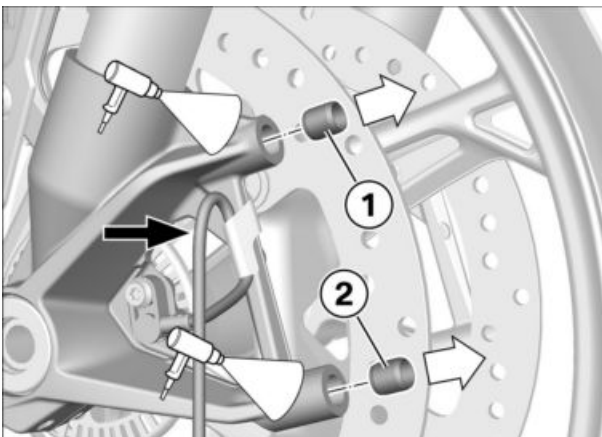
► Replacing left brake caliper bushes

DANGER

Connection between forkleg and slider tube loosens in case of overheating.

Risk of falling

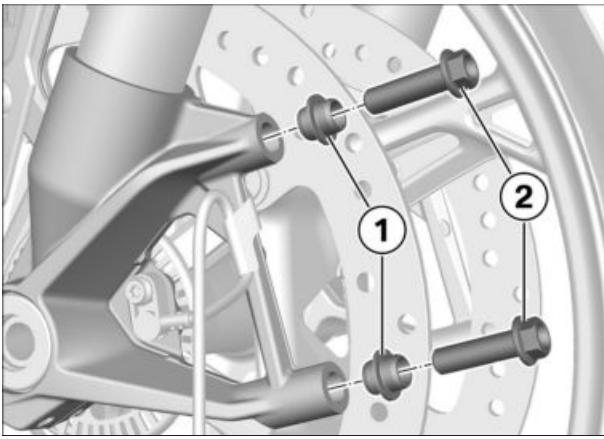
- Heat forkleg to a maximum temperature of 80°C.
- Monitor temperature with a suitable thermometer.
- Heat attachment point on sleeve (1) without damaging the wheel speed sensor cable (arrow).



Technical data

Release temperature brake caliper bushings		80 °C	
--	--	-------	--

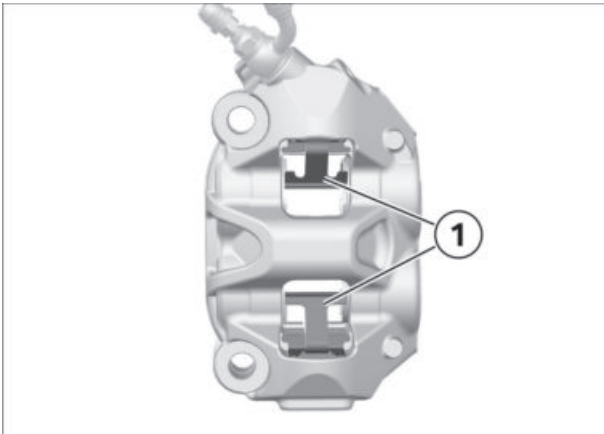
- Using a suitable tool, remove sleeve (1).
- Remove sleeve (2) the same way.



- Pull in new shouldered bushing **(1)** (smaller diameter **12.5 mm** at the head) with bolt **(2) M10x35** to stop.

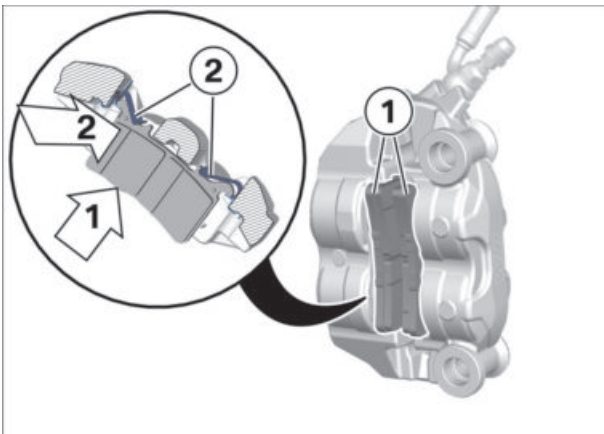


4



► Installing front brake pads

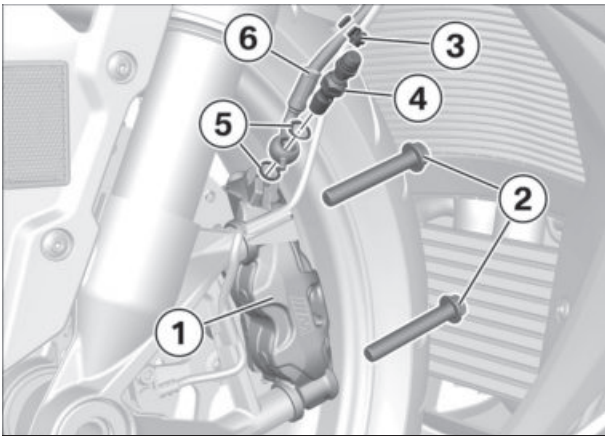
- Install springs **(1)** in new brake caliper.



- Insert brake pads **(1)** one set after another, push against springs **(2)** and install.
- Check brake pads **(1)** for correct fit and mounting orientation.



5



► Installing front left brake NISSIN caliper

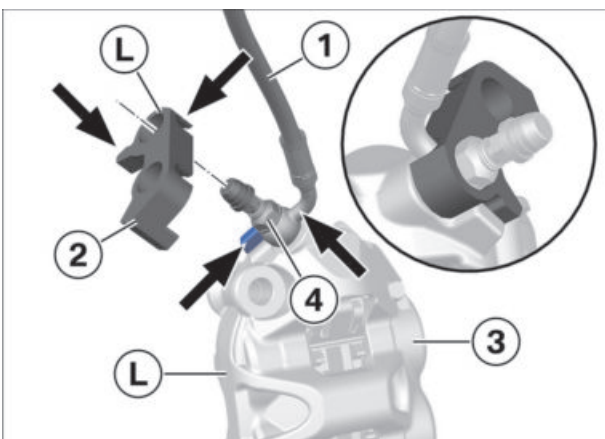
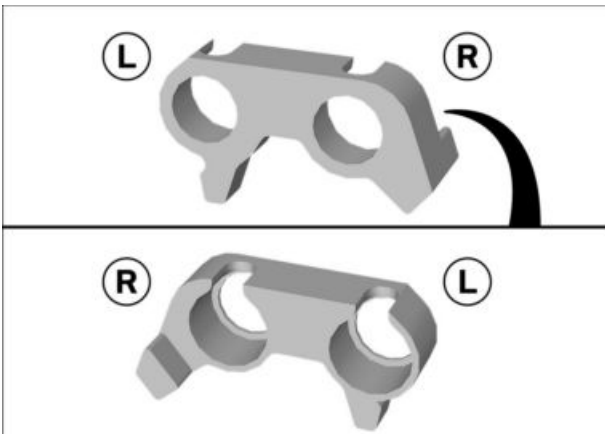
- Position new left NISSIN brake caliper **(1)** and install **new M10x60 bolts (2)**.

🔧 Tightening torques		
Radial brake caliper to axle mounting		
M10 x 60	38 Nm	

- Position brake line **(6)**.
- Install banjo bolt **(4)** with **new** sealing rings **(5)** hand-tight.

🔧 Tightening torques		
Brake hose with banjo bolt to components		
M10 x 1	24 Nm	

- Secure holder **(3)**.
- Secure brake line on **left** brake caliper with anti-twist lock (34 2 556) in the correct position.



- Secure brake line **(1)** with anti-twist lock **(2)** (34 2 556) on **left** brake caliper **(3)** (**arrows**). If necessary, adjust brake line until anti-twist lock **(2)** rests correctly on brake caliper **(3)**.

- Tighten the banjo bolt **(4)**.

🔧 Tightening torques		
Brake hose with banjo bolt to components		
M10 x 1	24 Nm	

- Carefully remove anti-twist lock **(2)**.

6

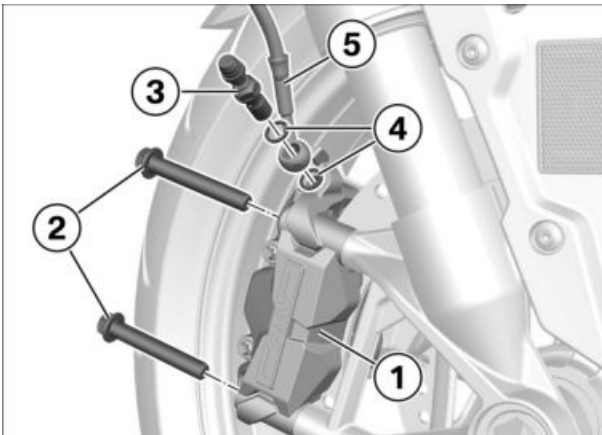
► Removing front right Hayes brake caliper

ATTENTION

Brake fluid on painted surfaces, plastic and rubber components

Material damage

- Do not allow brake fluid to come into contact with painted surfaces, plastic or rubber components.
- Wash components immediately with clear water if required.



- Remove banjo bolt (3) with sealing rings (4).
- Remove brake line (5).
- Remove screws (2) and brake caliper (1).

7

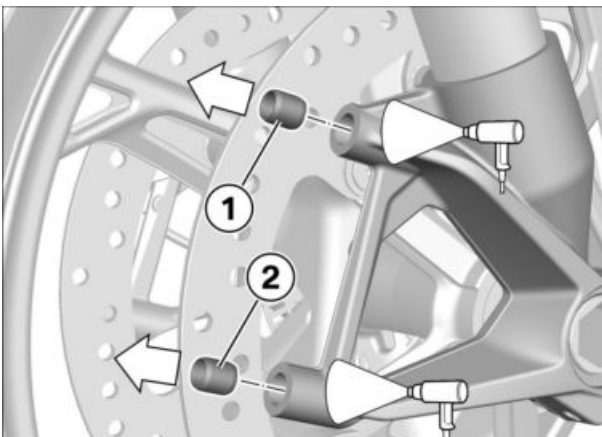
► Replacing right brake caliper bushes

DANGER


Connection between forkleg and slider tube loosens in case of overheating.

Risk of falling

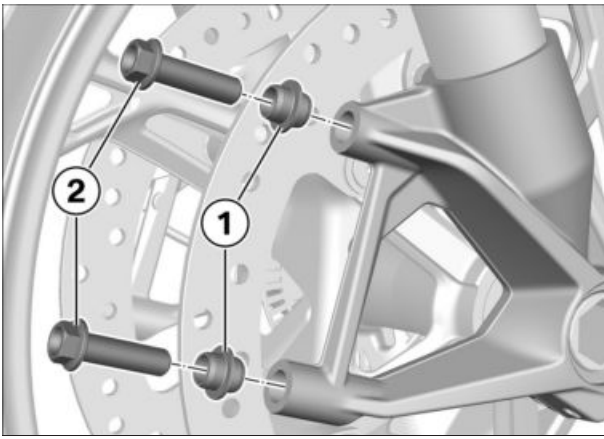
- Heat forkleg to a maximum temperature of 80°C.
- Monitor temperature with a suitable thermometer.



- Heat attachment point on sleeve (1).

 Technical data			
Release temperature brake caliper bushings		80 °C	

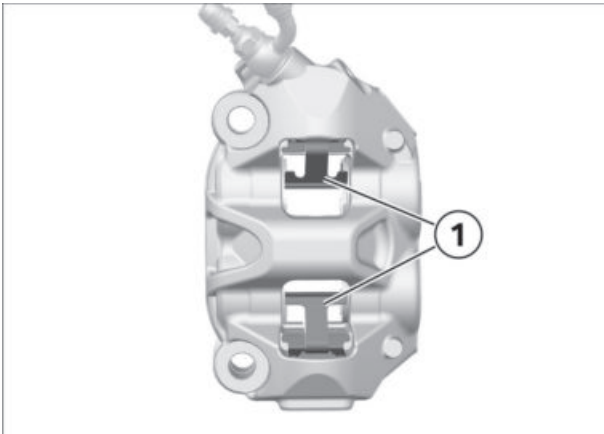
- Using a suitable tool, remove sleeve (1).
- Remove sleeve (2) the same way.



- Pull in new shouldered bushing **(1)** (smaller diameter **12.5 mm** at the head) with bolt **(2) M10x35** to stop.

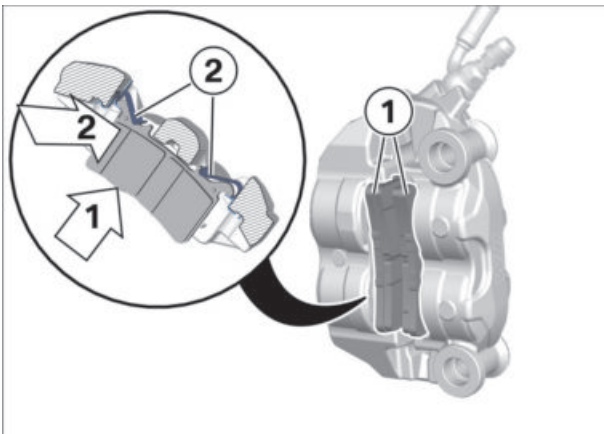


8



► Installing front brake pads

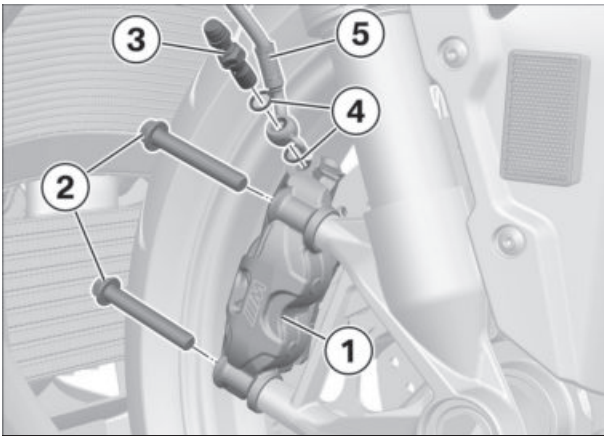
- Install springs **(1)** in new brake caliper.



- Insert brake pads **(1)** one set after another, push against springs **(2)** and install.
- Check brake pads **(1)** for correct fit and mounting orientation.



9



► Installing front right NISSIN brake caliper

- Position new right NISSIN brake caliper **(1)** and install **new M10x60 bolts (2)**.

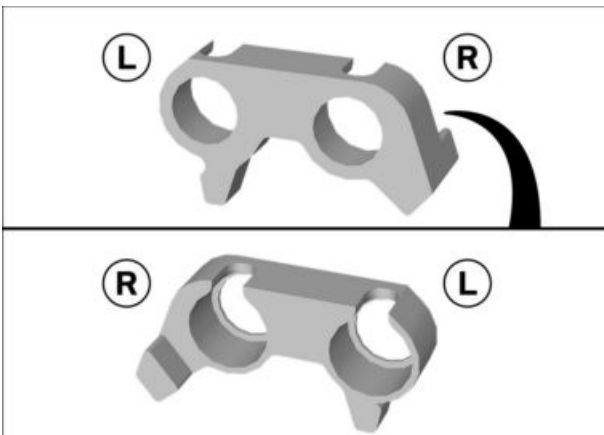


Tightening torques

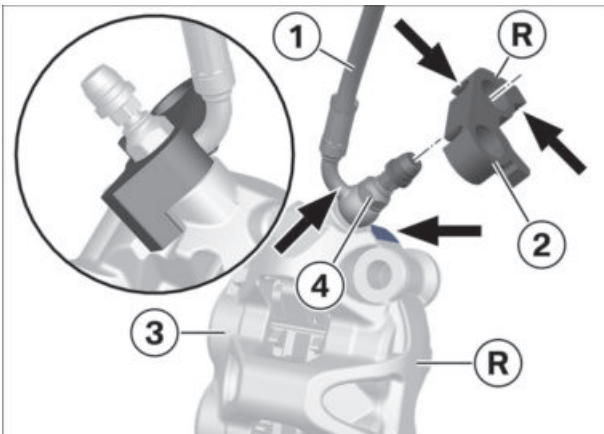
Radial brake caliper to axle mounting

M10 x 60	38 Nm	
----------	-------	--

- Position brake line **(5)**.
- Install banjo bolt **(3)** with **new** sealing rings **(4)** hand-tight.



- Secure brake lines on **right** brake caliper with anti-twist lock (34 2 556) in the correct position.



- Secure brake line **(1)** with anti-twist lock **(2)** (34 2 556) on **right** brake caliper **(3)** (**arrows**). If necessary, adjust brake line until anti-twist lock **(2)** rests correctly on brake caliper **(3)**.

- Tighten the banjo bolt **(4)**.



Tightening torques

Brake hose with banjo bolt to components

M10 x 1	24 Nm	
---------	-------	--

- Carefully remove anti-twist lock **(2)**.

10

► Loosen brake line from brake fitting for front wheel

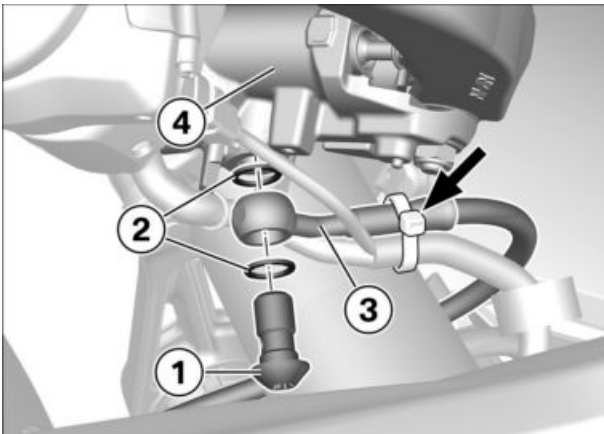


ATTENTION

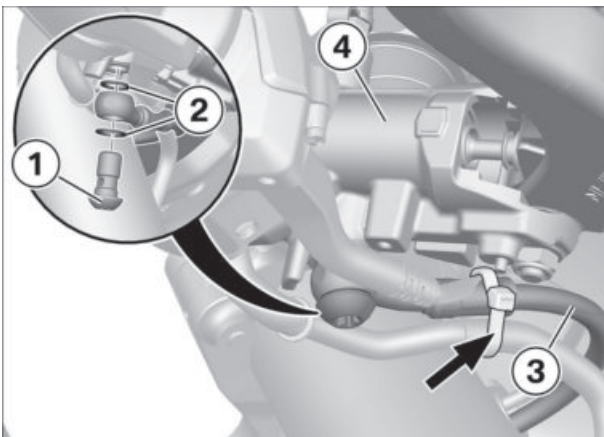
Brake fluid on painted surfaces, plastic and rubber components

Material damage

- Do not allow brake fluid to come into contact with painted surfaces, plastic or rubber components.
- Wash components immediately with clear water if required.

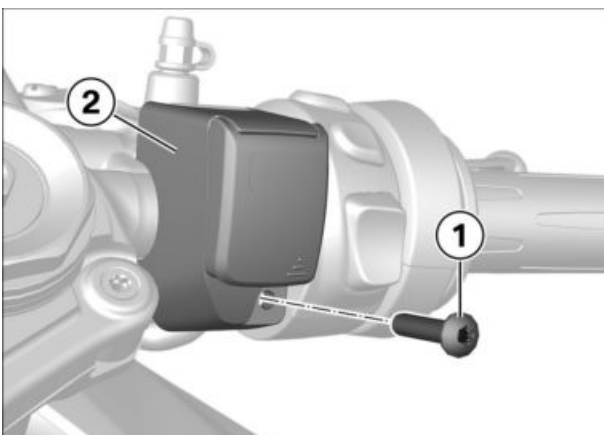


- Remove cable strap (**arrow**).
- Remove banjo bolt (**1**) with sealing rings (**2**).
- Loosen brake line (**3**) of brake fitting (**4**).
- Catch the escaping fluid in a suitable container and seal off brake line (**3**) using suitable auxiliary materials.
- Do not allow the brake line (**3**) hang down.



- as of build level December 2020
- Remove cable strap (**arrow**).
- Remove banjo bolt (**1**) with sealing rings (**2**).
- Loosen brake line (**3**) of brake fitting (**4**).
- Catch the escaping fluid in a suitable container and seal off brake line (**3**) using suitable auxiliary materials.
- Do not allow the brake line (**3**) hang down.◇

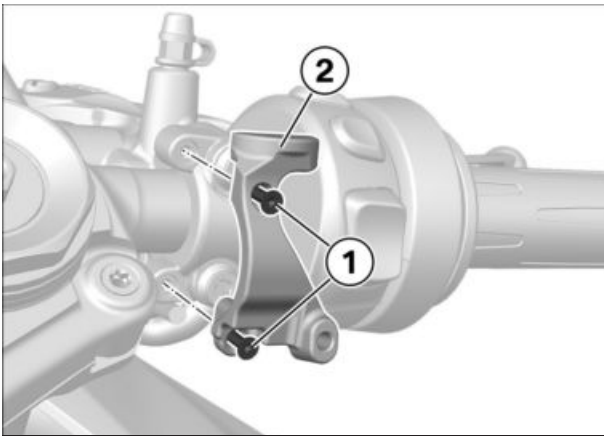
11



– with intelligent emergency call^{OE} (06AC)

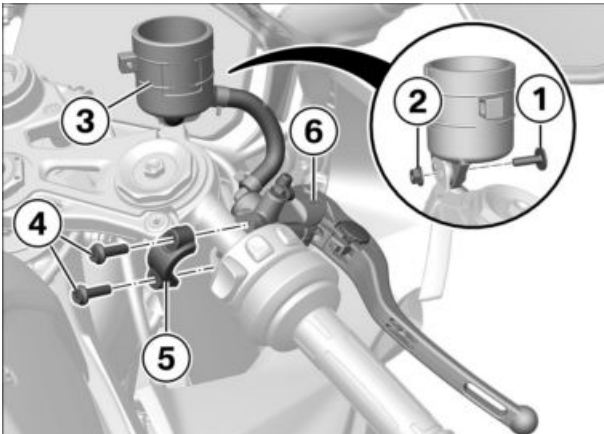
► Installing operating facility for intelligent emergency call

- Remove bolt (**1**).
- Release operating facility for intelligent emergency call (**2**) and hang to the side.



- Release bolts **(1)** and remove together with adapter **(2)** for operating facility.◊

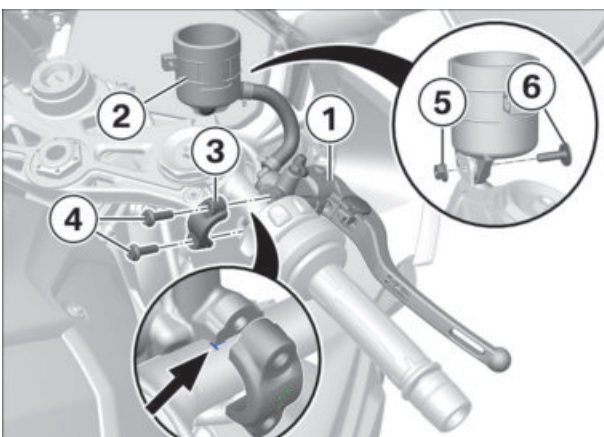
12



► Removing brake fitting for front wheel

- Remove bolt **(1)** with nut **(2)** and release expansion tank **(3)**.
- Remove screws **(4)** and clamp **(5)**.
- Remove brake fitting **(6)** with expansion tank **(3)**.

13

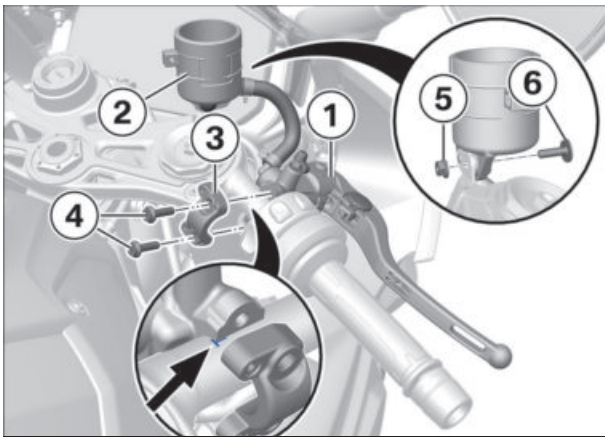


► Installing brake fitting for front wheel

- Position brake fitting **(1)** with expansion tank **(2)**.
- Fit clamp **(3)** while observing the mounting orientation: **UP - arrow points up**.
- Align brake fitting **(1)** with clamp **(3)** at mark **(arrow)** and install bolts **(4)**.

🔧 Tightening torques	
Handbrake fitting to handlebars	
M6 x 20	Tightening sequence: tighten top until fully closed
	8 Nm

- Secure expansion tank **(2)** with bolt **(5)** and nut **(6)**.



🔧 Tightening torques		
Expansion tank to bracket		
M5 x 18	5 Nm	

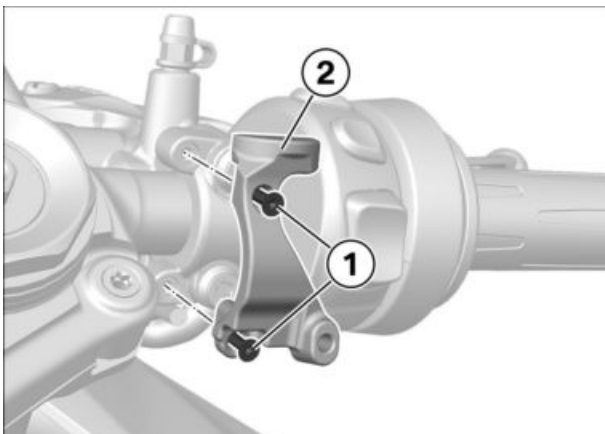
- with intelligent emergency call^{OE} (06AC)
- Position brake fitting **(1)** with expansion tank **(2)**.
- Fit clamp **(3)** observing the mounting orientation: threaded holes for adapters are located on the left.
- Align brake fitting **(1)** with clamp **(3)** at mark **(arrow)** and install bolts **(4)**.

🔧 Tightening torques		
Handbrake fitting to handlebars		
M6 x 20	Tightening sequence: tighten top until fully closed	
	8 Nm	

- Secure expansion tank **(2)** with bolt **(5)** and nut **(6)**.

🔧 Tightening torques		
Expansion tank to bracket		
M5 x 18	5 Nm	

14

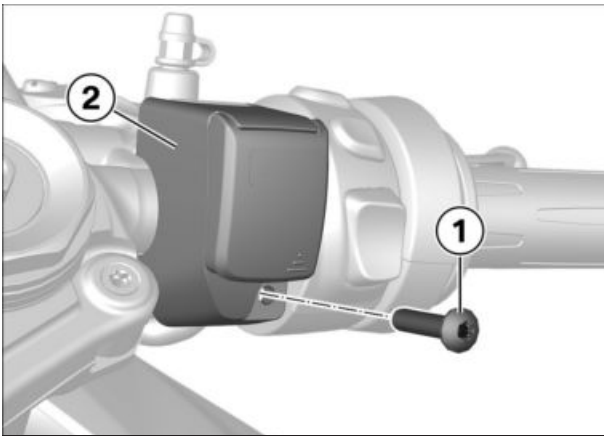


– with intelligent emergency call^{OE} (06AC)

► Secure operating facility for intelligent emergency call

- Fit and install adapter **(1)** for operating facility together with bolts **(2)**.

🔧 Tightening torques		
Adapter to clamp		
M3 x 14	1 Nm	



- Fit operating facility for intelligent emergency call **(2)**.
- Install bolt **(1)**.

Tightening torques		
Switch for intelligent emergency call to adapter		
M5 x 22	3 Nm	
Thread-locking compound (mechanical)		

15

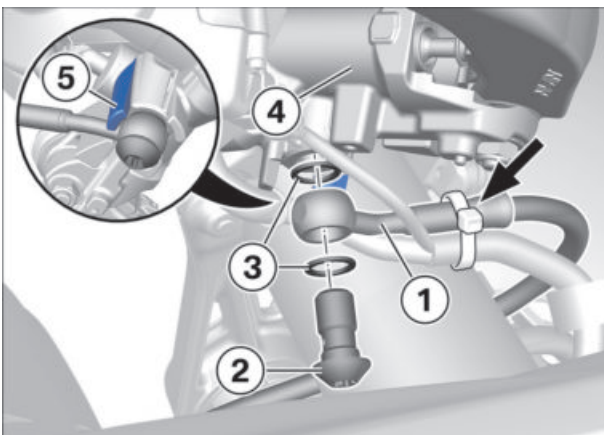
► Secure brake line to brake fitting for front wheel

ATTENTION

Brake fluid on painted surfaces, plastic and rubber components

Material damage

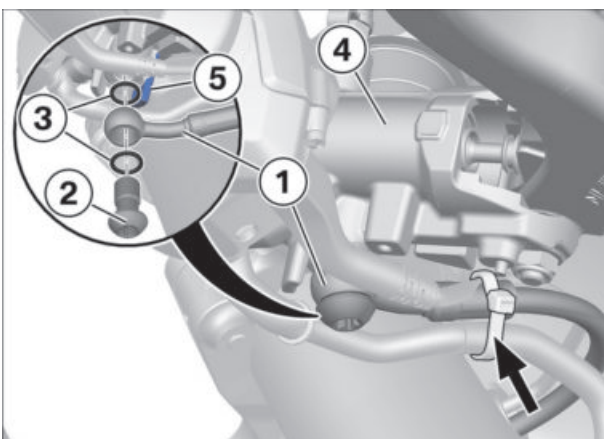
- Do not allow brake fluid to come into contact with painted surfaces, plastic or rubber components.
- Wash components immediately with clear water if required.



- Fit brake line **(1)** with banjo bolt **(2)** and **new** sealing rings **(3)** on brake fitting **(4)** while observing the torsional stop **(5)**.
- Tighten the banjo bolt **(2)**.

Tightening torques		
Brake hose with banjo bolt to components		
M10 x 1	24 Nm	

- Secure the cable strap **(arrow)**.



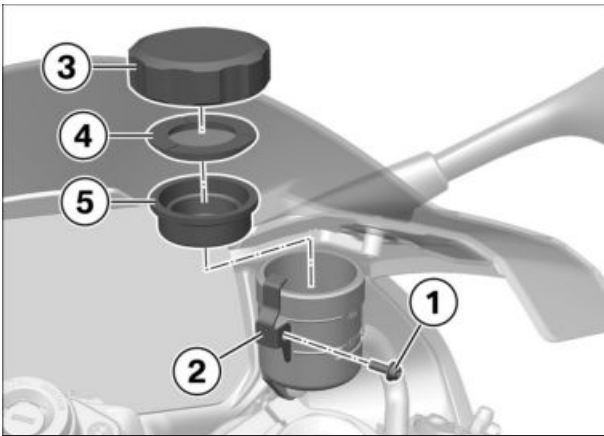
– as of build level December 2020

- Fit brake line **(1)** with banjo bolt **(2)** and **new** sealing rings **(3)** on brake fitting **(4)** while observing the torsional stop **(5)**.
- Tighten the banjo bolt **(2)**.

Tightening torques		
Brake hose with banjo bolt to components		
M10 x 1	24 Nm	

- Secure the cable strap **(arrow)**◇

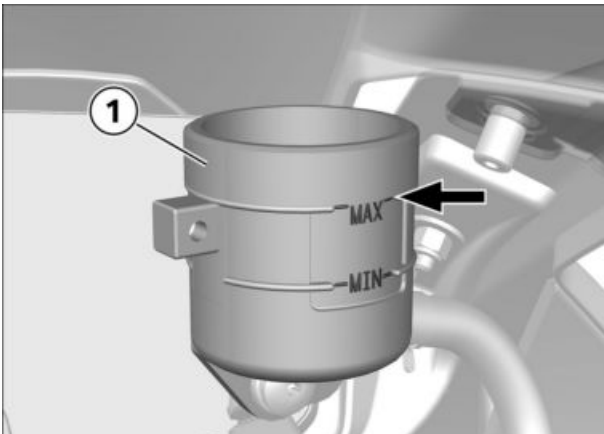
16



► Removing reservoir cap

- Remove bolt (1) and remove retaining bracket (2).
- Remove the reservoir cap (3) with support disc (4) and gaiter (5).

17



► Filling/bleeding front brake system

- Turn the handlebars to a position in which the brake fluid tank (1) is horizontal.

⚠ WARNING

Water ingress in the brake fluid due to air humidity

Decrease in the boiling point, formation of vapour bubbles reduces the effectiveness of the brakes.

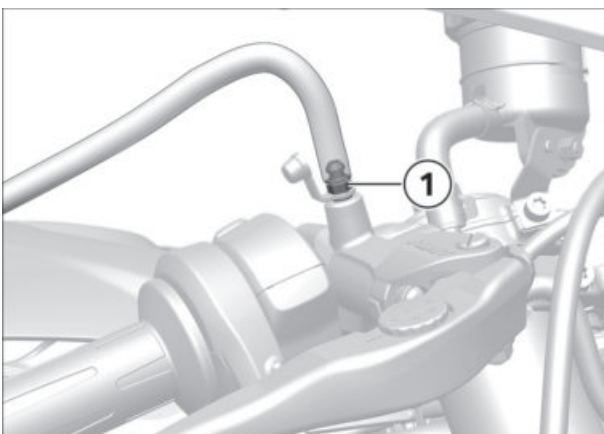
- Use only fresh brake fluid from an unopened container.

- Top up with fresh brake fluid to the **MAX** mark (arrow).

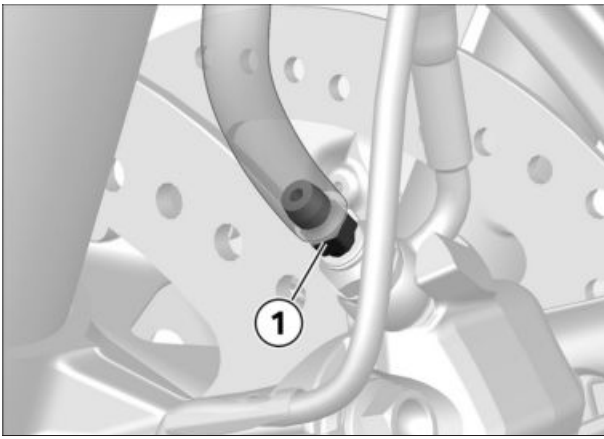


Hydraulic fluid

Brake fluid, DOT4



- Connect the bleeder unit to bleeder screw (1) in the hand-brake cylinder.
- Slightly open the bleeder screw (1).
- Continue drawing off the brake system until the fresh brake fluid emerges clear and free from bubbles.
- Close the bleeder screw (1).



- Connect the bleeder unit to bleeder screw **(1)** on the left brake caliper.
- Slightly open the bleed screw.

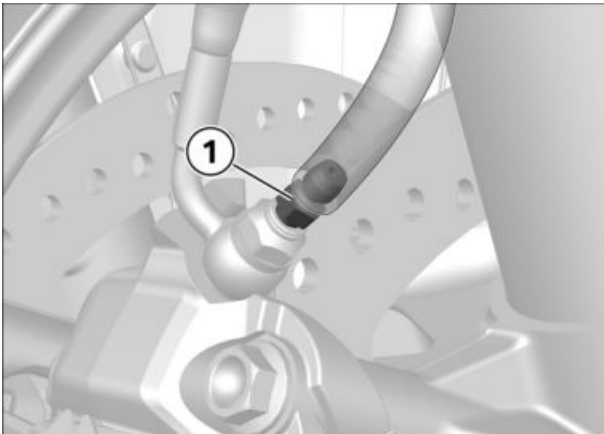
⚠ WARNING

Diminished braking effect

Ingress of air into brake system

- The outlet hole must always be covered with brake fluid, top up brake fluid if required.

- Continue bleeding the brake system until fresh brake fluid emerges.
- Close the bleed screw in the left brake caliper.



- Connect the bleeder unit to bleeder screw **(1)** on right brake caliper.
- Slightly open the bleed screw.
- Bleed brake system until new brake fluid emerges or the required amount of fluid has passed through.



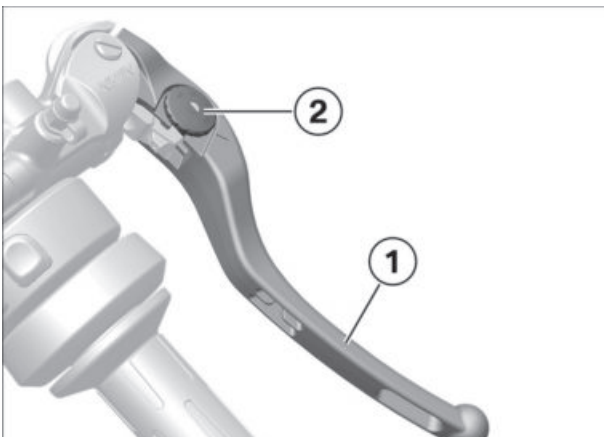
Technical data

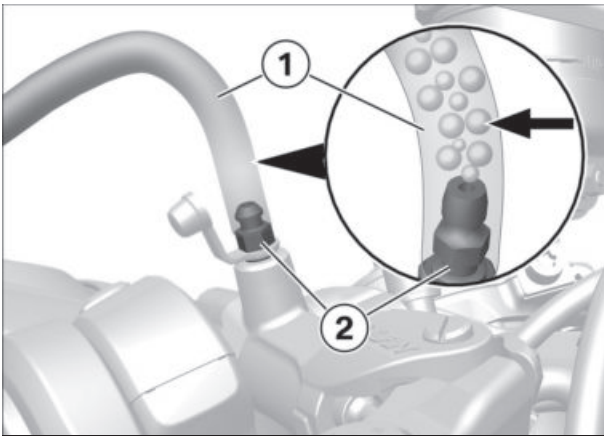
Amount of liquid for changing/bleeding the brake system		around three fillings of brake fluid reservoir	
---	--	--	--

- Close the bleed screw in the right brake caliper.

• End vacuum extraction.

- Adjust brake lever **(1)** to maximum distance through knurled wheel **(2)**.





⚠ WARNING

Air bubbles difficult to recognise in brake fluid drawn off by vacuum extraction

Braking power is reduced due to insufficient brake system bleeding.

- In the final step, bleed the system manually (without vacuum extraction) until the fluid emerging is bubble-free.

- Connect vent hose **(1)** to bleeder screw **(2)** on the handbrake cylinder and route it to the top.

» Rising air bubbles can be observed in a better way.

⚠ WARNING

Diminished braking effect

Ingress of air into brake system

- The outlet hole must always be covered with brake fluid, top up brake fluid if required.

- Operate brake lever several times until a pressure point can be perceived.

- Operate brake lever till the pressure point and open bleeder screw **(2)** for a short time.

- Pull brake lever till the grip and close bleeder screw **(2)**.

- Release the brake lever.

- Repeat the process until **no air bubbles (arrow)** escape and a **clearly noticeable pressure point** is reached with the bleeder screw **(2)** closed.

- Tighten bleeder screw **(2)**.



Tightening torques

Bleed screw on handbrake lever fitting

M7	5 Nm	
----	------	--

- Connect vent hose **(1)** to bleeder screw **(2)** on the left brake caliper and route it to the top.

» Rising air bubbles can be observed in a better way.

- Operate brake lever several times until a pressure point can be felt.

- Operate brake lever till the pressure point and open bleeder screw **(2)** for a short time.

- Pull brake lever till the grip and close bleeder screw **(2)**.



NOTICE

Always open bleeder screw wide and pull through lever wide in order to increase the flow rate of the brake fluid.

- Release the brake lever.

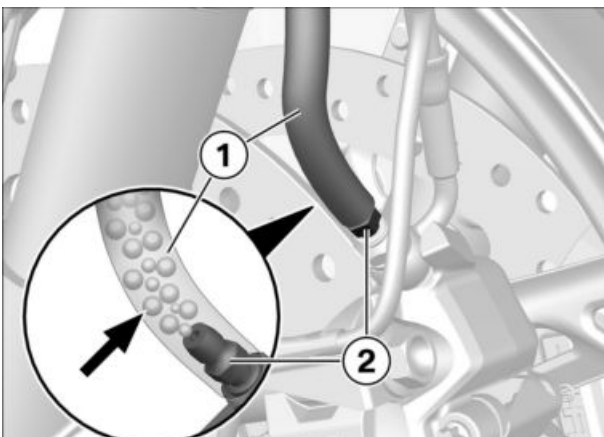
- Repeat the process until **no air bubbles (arrow)** escape and a **clearly noticeable pressure point** is reached with the bleeder screw **(2)** closed. Tighten bleeder screw **(2)**.

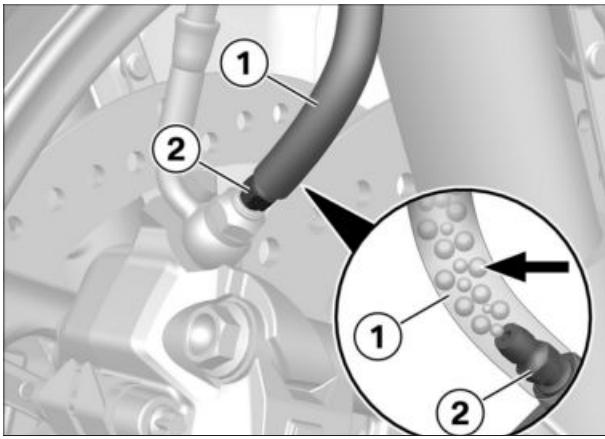


Tightening torques

Bleed screw, front, in banjo bolt

M6	6 Nm	
----	------	--





- Connect vent hose **(1)** to bleeder screw **(2)** on the left brake caliper and route it to the top.
- » Rising air bubbles can be observed in a better way.
- Operate brake lever several times until a pressure point can be felt.
- Operate brake lever till the pressure point and open bleeder screw **(2)** for a short time.
- Pull brake lever till the grip and close bleeder screw **(2)**.

NOTICE

Always open bleeder screw wide and pull through lever wide in order to increase the flow rate of the brake fluid.

- Release the brake lever.
- Repeat the process until **no air bubbles (arrow)** escape and a **clearly noticeable pressure point** is reached with the bleeder screw **(2)** closed. Tighten bleeder screw **(2)**.

Tightening torques

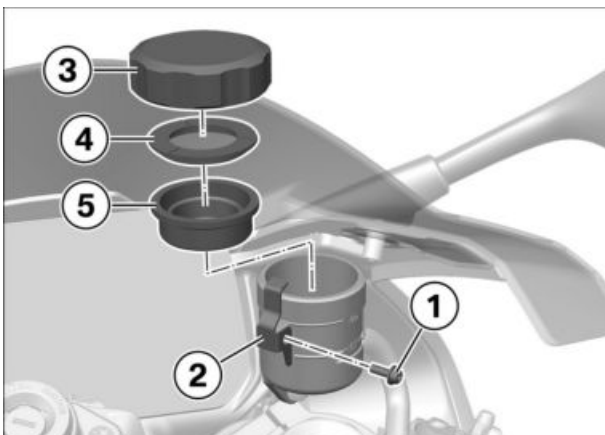
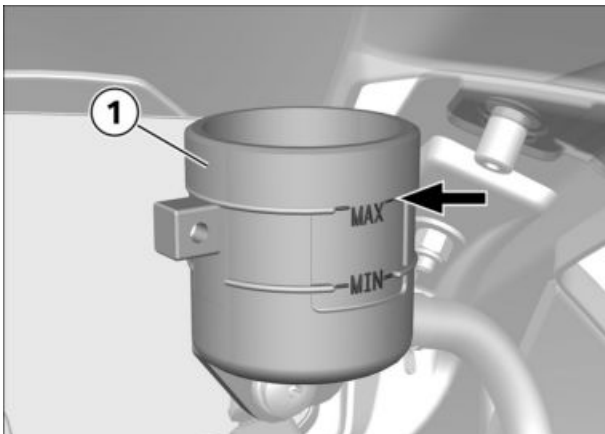
Bleed screw, front, in banjo bolt

M6	6 Nm	
----	------	--

- Top up brake fluid tank **(1)** to the **MAX** mark (**arrow**).

Hydraulic fluid

Brake fluid, DOT4	
-------------------	--



- Clean the rim of the reservoir.
- Clean and install gaiter **(5)**, support disc **(4)** and reservoir cap **(3)**.
- Install retaining bracket **(2)** and bolt **(1)**.
- Place the motorcycle on its side stand.
- Hold the handlebars in the straight-ahead position.

Check

- Check brake pressure by operating the brakes.

Result

Low brake pressure

Measure

- Repeat the bleeding process **without vacuum extraction**.



Additional work: 61 00 502 Testing software

Additional work: 61 00 510 Programming control units of vehicle (along with testing software)

18

► Final check of work performed

- Check the following:
 - The work as performed achieved the intended purpose.
 - All reservoirs and containers have been filled and all fluids and lubricants are at their correct levels.
 - All threaded fasteners released beforehand have been correctly retightened.
 - The fuel system is free of leaks.
 - The lights and signalling equipment are fully operational and the vehicle is roadworthy.
 - The brake pads of the front and rear brakes are bedded against the brake discs.

▷ Function test, engine start suppression

Check

- Set kill switch to "ON" position.
- Select neutral.
- Switch on the ignition.
 - » Neutral indicator light "N" lights up.
- Select a gear.
 - » Neutral indicator light "N" goes out.
- Press the starter button.
 - » Starter does **not** operate.
- Extend the side stand.
- Pull the clutch lever.
- Press the starter button.
 - » Starter does **not** operate.
- Retract the side stand.
- Press the starter button without releasing the clutch lever.
 - » Starter operates.

Result

Not all test steps completed successfully.

Measure

- Check the appropriate parts with the BMW Motorrad diagnostic system.



How To Use the YOCV Campaign Order Type

Step 1: Access to YOCV Order Type in DCS.

Menu [48778] CenterNet Sitemap Help Feedback Logout
DC Snet Administration Sales Service Parts Corporate

Parts Order Details

Order Summary

Dir Order Nbr: Order Type: **YOCV Campaign** Save
Status: Incomplete Campaign Number: Ship To: 04 - 9750 Regency Square
YOR Late Day Rush
YOR Stock
YVOR Rush

Back To List Send Print Credit Check

Step 2: Enter the Correct Campaign Number, Full VIN & Click Send.

DC Snet Administration Sales Service Parts Corporate

Parts Order Details

Order Summary

Dir Order Nbr: 05191778 Order Type: YOCV Campaign Save
Status: Incomplete Campaign Number: 3102224141 VIN: L123456 Ship To: 01 - 20 COLONY RD

Order Details

ATL	Part Number	Part Description	Qty	Alloc	Comment	Bin Location	Ref	Unit Price USD	Ext Price USD	SRC
No items found										

0 selected items Total Qty: 0 Total Ext Price: 0.00

Select All | Clear All Locate Save & Recalculate Delete

Back To List Send Print Credit Check

**Campaign Number:
USE CORRECT CAMPAIGN
FROM ABOVE TABLE**

ENTER THE FULL VIN

Step 3: This method of ordering:

- Does not immediately show the parts on order through that “Campaign Number” and VIN combination.
- Will only accept orders with a valid combo of Campaign Number and VIN that hasn’t already been used.

Parts Order Send Confirmation

Dir Order Nbr	Order Type	Order Status	Comments
020718AK	YOCV Campaign	Sent To BMW	Campaign Order VIN 3482763646 has been saved (delivery 9314584157 created)

Back To List
Print

- Clicking on Order allows you to see parts on order after order is successfully sent

Parts Order Details ? [Help](#)

Order Summary

Dir Order Nbr:	012621	Order Type:	YOCV Campaign	Billing Block:	Delivery Block:
Status:	Sent To BMW	Campaign Number:	3103351579	VIN:	WB10M1301M6D60614
Order Date:	01/26/2021	Order Time:	11:07	Ship To:	01 - 875 Middlesex Ave

Order Details

ATL	Part Number	Part Description	Qty	Alloc	Comment	Bin Location	Ref	Unit Price USD	Ext Price USD	SRC	
1	<input type="checkbox"/> 34 11 8 535 158	<input type="checkbox"/> Set of mounting parts	2	2					22.66	45.32	D320
2	<input type="checkbox"/> 34 11 8 548 028	<input type="checkbox"/> Set of brake pads fron	2	2					61.39	122.78	D320
3	<input type="checkbox"/> 34 11 8 556 254	<input type="checkbox"/> CALIPER RIGHT	1	1					485.04	485.04	D320
4	<input type="checkbox"/> 34 11 8 556 253	<input type="checkbox"/> Brake caliper, left	1	1					485.04	485.04	D320

Quick Tips for SI 34 03 21 – Recall 20V-476 for K67

Caliper Clip Installation and Programming prior to running NISSIN Brake conversion.

PROGRAMMING:

- Turn ignition ON before connecting the ICOM to have a quicker programming session.
- Update to newest I-Level first; (Refer to SI Bulletin 00 04 21 for invoicing information).
- Run "NISSIN brake caliper" conversion only after successfully updating to the new I-Level.

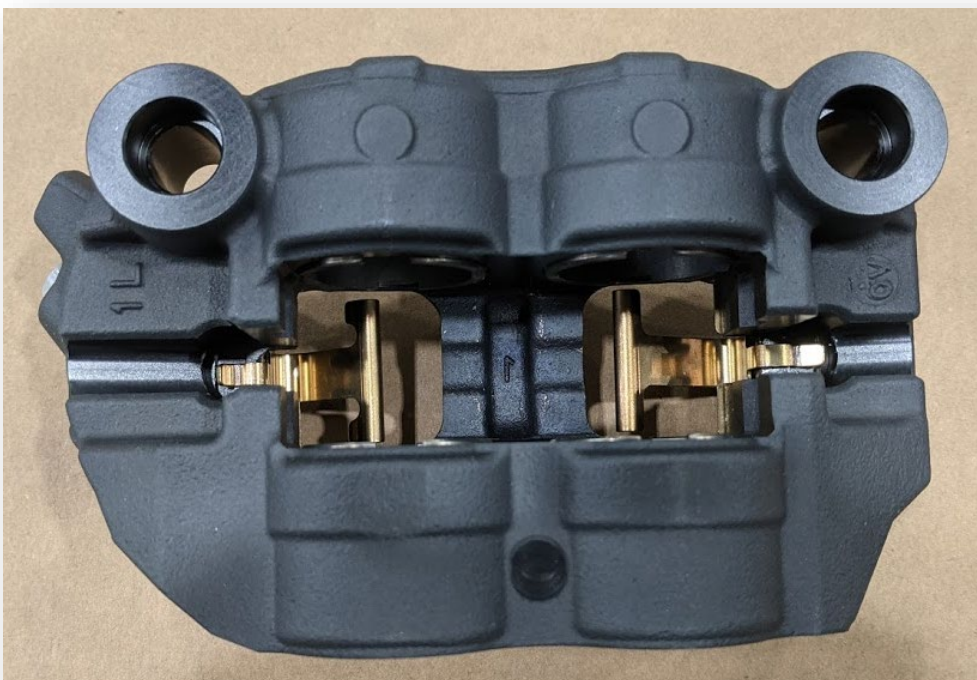
INSTALLATION:

Caliper-clip

- Install clips first, prior to brake pads. Clip marked "T" is installed closest to the brake line hole.



- View from opposite side; make sure that the clips are fully seated:



- Insert brake pads, which are symmetric, into position as pictured:

