

Noncompliance Recall: 2019 - 20 Odyssey Rearview Camera

AFFECTED VEHICLES

Year	Model	Trim Level	VIN Range
2019 - 20	Odyssey	ALL	Check the iN VIN status for eligibility

BACKGROUND

The rearview camera display is cloudy or the rearview camera does not work and/or the **Rear Camera Not Available** message is displayed.

CUSTOMER NOTIFICATION

Owners of affected vehicles will be sent a notification of this campaign.

Do an iN VIN status inquiry to make sure the vehicle is shown as eligible.

Some vehicles affected by this campaign may be in your new or used vehicle inventory.

Failure to repair a vehicle subject to a recall or campaign may subject your dealership to claims or lawsuits from the customer or anyone else harmed as a result of such failure. Before selling a vehicle in inventory, always check if it is affected by a safety recall by conducting a VIN status inquiry.

CORRECTIVE ACTION

Replace the rearview camera.

PARTS INFORMATION

Part Name	Part Number	Quantity
Rearview Camera Assembly	39530-THR-A23	1

WARRANTY CLAIM INFORMATION

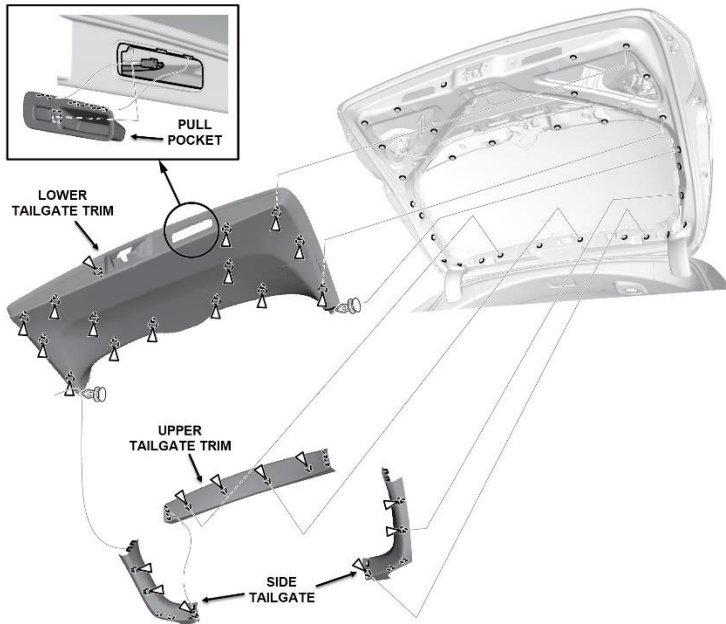
Operation Number	Description	Flat Rate Time	Defect Code	Symptom Code	Template ID	Failed Part Number
0551D3	Replace the rearview camera.	0.6 hr	6RD00	W8300	A20050A	39530-THR-A23

Skill Level: Repair Technician

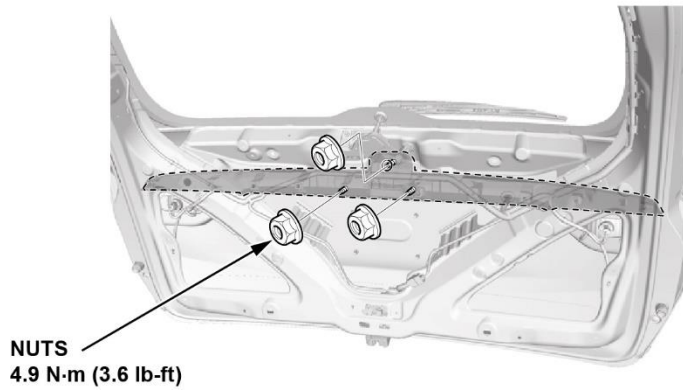
CUSTOMER INFORMATION: The information in this bulletin is intended for use only by skilled technicians who have the proper tools, equipment, and training to correctly and safely maintain your vehicle. These procedures should not be attempted by "do-it-yourselfers," and you should not assume this bulletin applies to your vehicle, or that your vehicle has the condition described. To determine whether this information applies, contact an authorized Honda automobile dealer.

REPAIR PROCEDURE

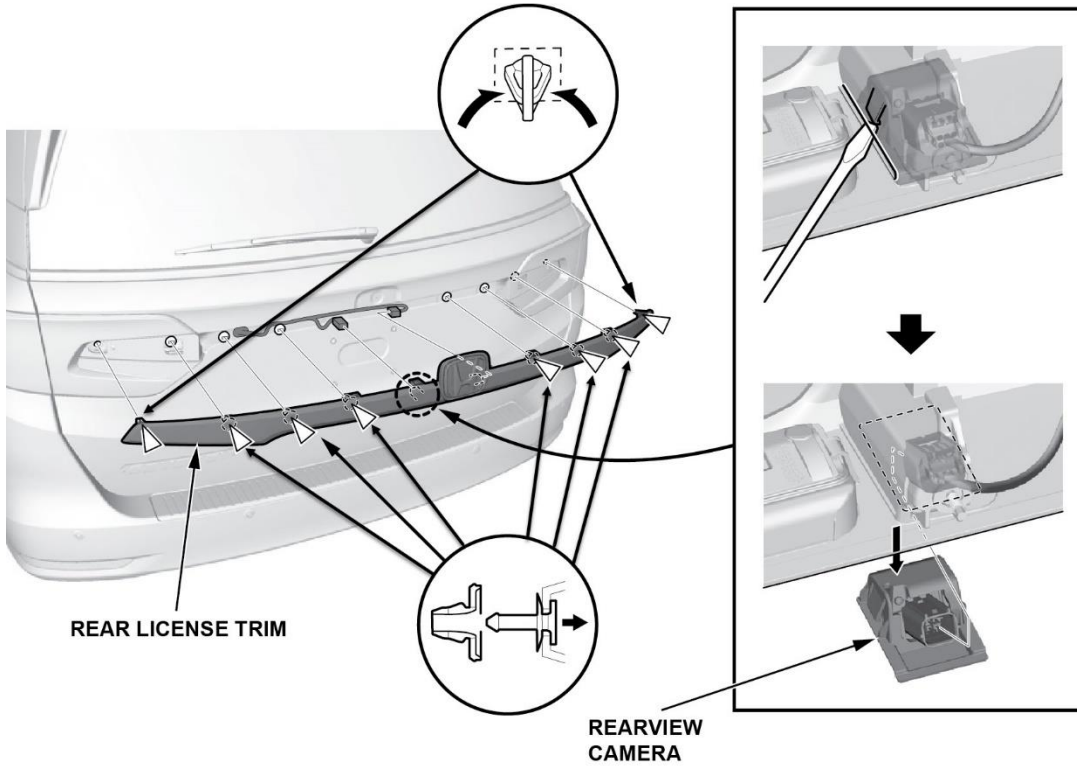
1. Remove the upper tailgate trim, both side tailgate trims, the pull pocket, and the lower tailgate trim.



2. Remove the three nuts holding the rear license trim.



3. Carefully pull up the rear license trim to release the end clips and to release the pins of the clips from the remaining grommets. Disconnect the connector and using a flat head screwdriver carefully remove the rearview camera.



4. Install the new rearview camera in the reverse order of removal.
5. Install the parts in the reverse order of removal.
6. Make sure the rearview camera is operating properly.

END