



RECALL

R20AX – FMVSS 210 Noncompliance – Instl. of Seats with 3-Point Belts

Models Affected: Certain 2018 through 2021 Model Year All American and Vision Buses

Issue: Certain buses may fail to conform to the Federal Motor Vehicle Safety Standard Number 210 "Seat Belt Assembly Anchorages" requirements for seats with integrated 3-point seat belts due to the omission of one of the reinforcement washers under the floor in certain areas.

Corrective Action: The seats on subject buses must be inspected and repaired by installing a washer plate, if found to be incorrect.

WARNING: Always follow all Federal, State, Local and Shop safety standards and use proper safety equipment, and thoroughly read and understand all instructions before performing these procedures. Park bus on level surface, apply parking brake, turn off ignition key, and chock wheels.

Parts/Items Needed: All seats except 45" (Based on Inspection)

Item Number	Part Number	Description	Quantity
1	10071895	Washer, Seat Belt, Underfloor Leg Attachment	(If Needed)

Inspection: All seats except 45"

1. Inspect the Seat Fastener Installation to ensure the correct seat washers are installed. Do this by visually inspecting the underside of the seat fasteners. Each seat must have a washer installed on the rear two fasteners. No washer is required on the forward seat fastener.

See Photo (1)



Photo 1-Rear Washer Missing



RECALL

R20AX – FMVSS 210 Noncompliance – Instl. of Seats with 3-Point Belts

Repair Instruction- All seats except 45”

1. Loosen the seat bolt that requires the washer addition.
2. Insert the notched washer (Photo 2) on to the fastener between the floor panel above the nut (Photo 3).
3. Torque the fastener to 26-30 ft lbs.



Photo 2-Notched Washer



Photo 3-Notched Washer Installed



RECALL

R20AX – FMVSS 210 Noncompliance – Instl. of Seats with 3-Point Belts

Parts/Items Needed: 45” Seats ONLY (Based on Inspection)

Item Number	Part Number	Description	Quantity
1	10050445	Channel, Seat, Washer, 1/2 Hole, 4 x 1.5 (45” Seat ONLY)	(If Needed)

45” Seat Inspection

1. Inspect the Seat Fastener Installation to ensure the correct seat channels are installed. Do this by visually inspecting the underside of the seat fasteners. Each seat must have a channel installed on the rear three fasteners. No channel required on the forward seat fastener. **See Image (1)**

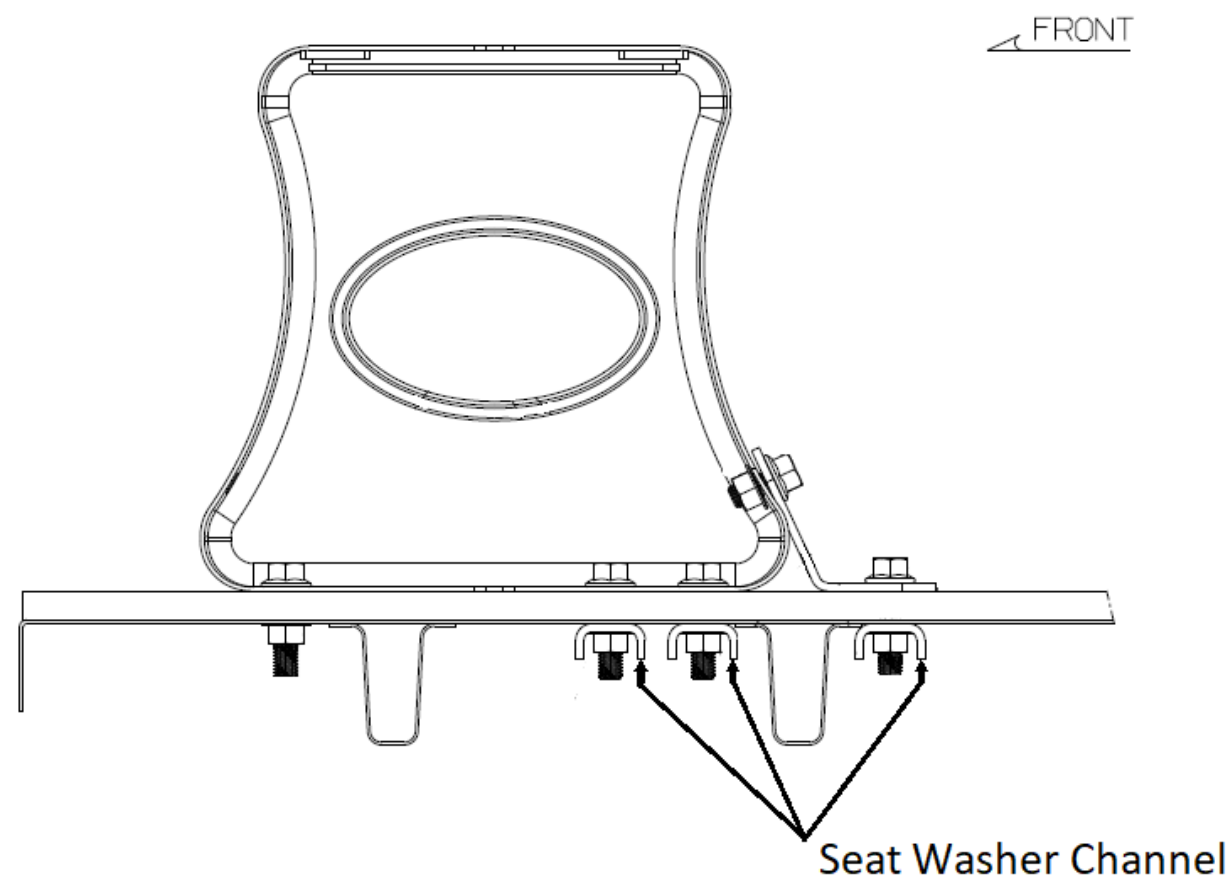


Image 1

Repair Instruction- 45” Seats ONLY

1. Loosen the seat bolt that requires the washer addition.
2. Install Channel 10050445 (See Image 1)
3. Torque the fastener to 26-30 ft lbs.