



Volvo Car Customer Service

QB Instruction VCC-519373-1

Title	Front seat belt end fitting, replace	Page	1 (9)
Action	Replacement	Operation number:	97703-2 97702-2

Issue	Date	Reason
1	2020-10	First issue

Affected vehicles

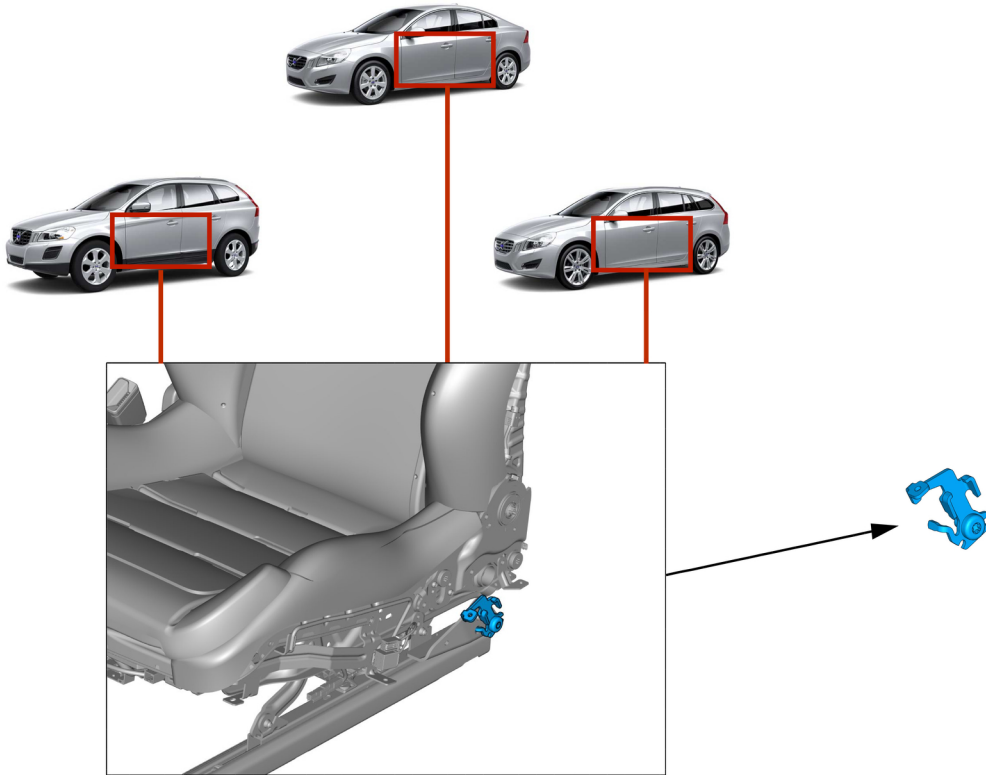
Model year	Model
2011, 2012, 2013, 2014, 2015, 2016, 2017, 2018	S60 (11-18)
2016, 2017, 2018	S60 Cross Country
2014, 2015, 2016, 2017, 2018, 2019, 2020	S60L
2007, 2008, 2009, 2010, 2011, 2012, 2013, 2014, 2015, 2016	S80 (07-)
2009, 2010, 2011, 2012, 2013, 2014, 2015	S80L
2011, 2012, 2013, 2014, 2015, 2016, 2017, 2018	V60 (-18)
2015, 2016, 2017, 2018	V60 Cross Country (-18)
2008, 2009, 2010, 2011, 2012, 2013, 2014, 2015, 2016	V70 (08-)
2009, 2010, 2011, 2012, 2013, 2014, 2015, 2016, 2017	XC60 (-17)
2008, 2009, 2010, 2011, 2012, 2013, 2014, 2015, 2016	XC70 (08-)

Materials

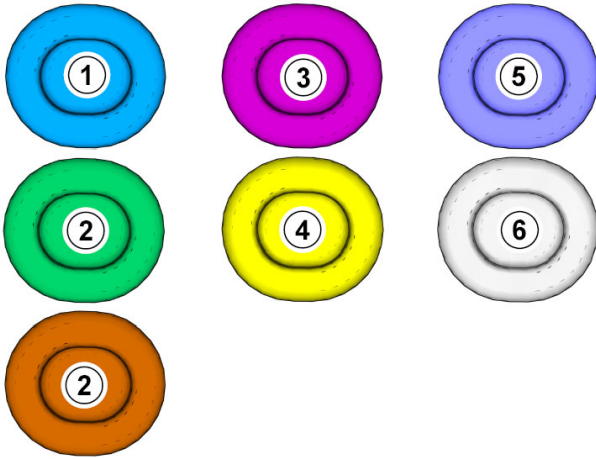
Materials	Qty.	Part No.	Notes
End fitting	2.0	32341045	

Removal

Note! Removal steps in this procedure may contain installation details.

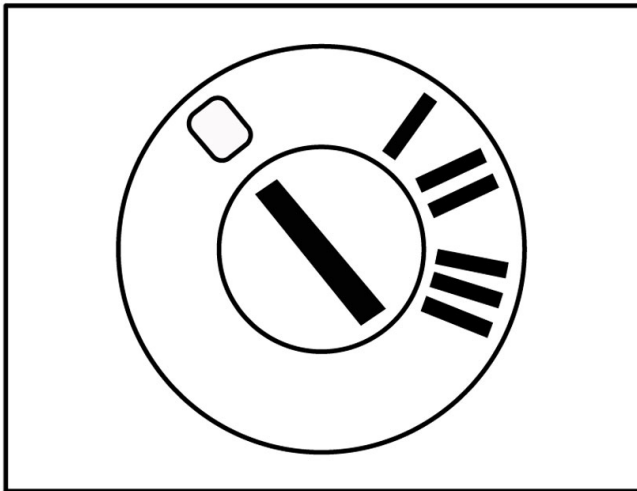


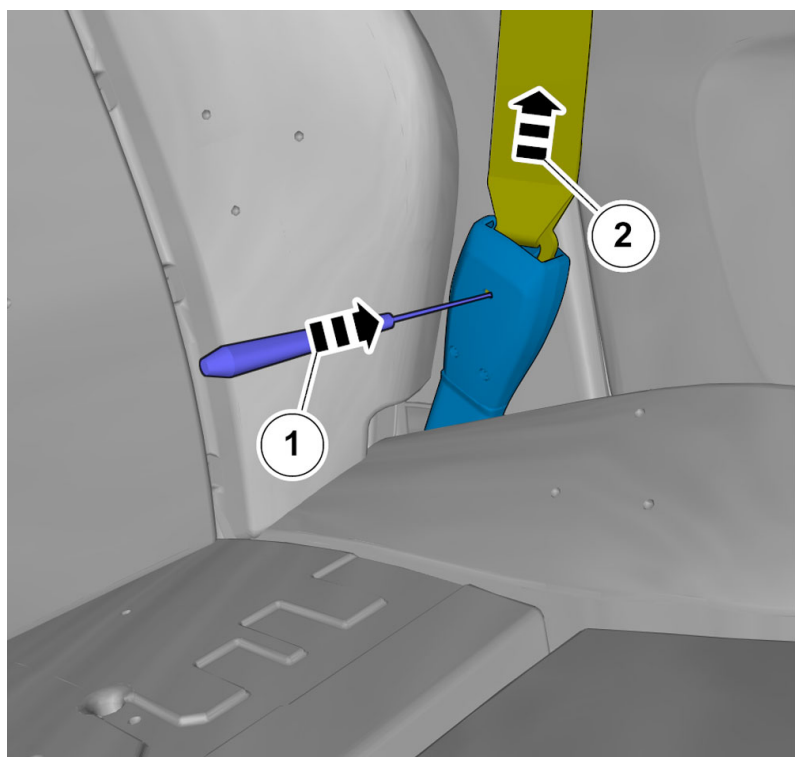
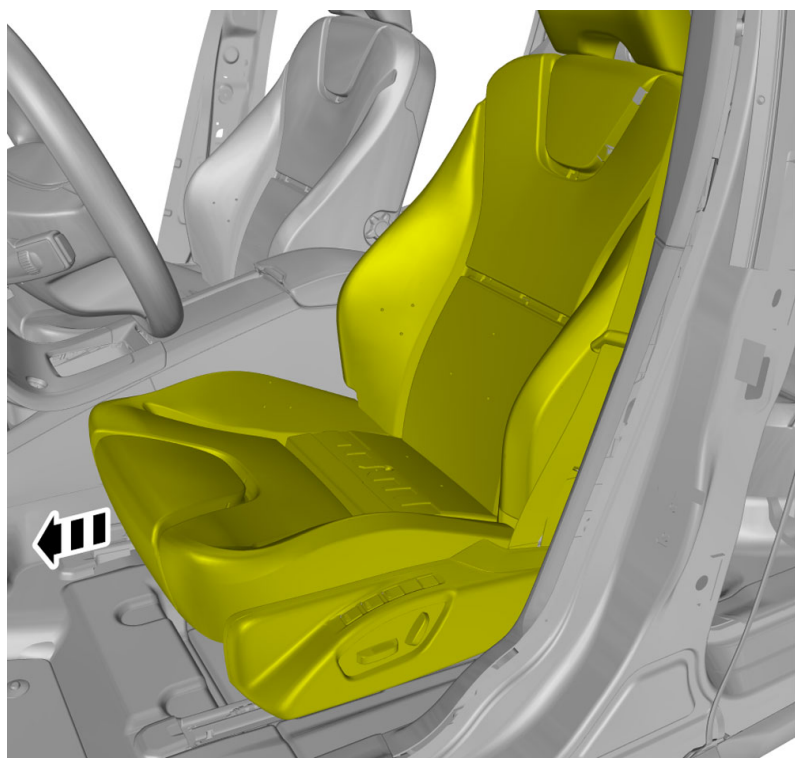
Color symbols



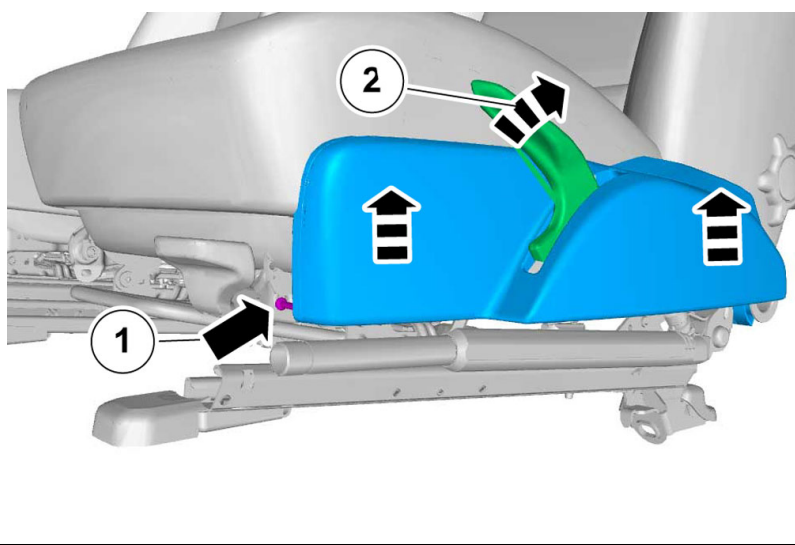
Note! This colour chart displays (in colour print and electronic version) the importance of the different colours used in the images of the method steps.

- 1 . Used for focused component, the component with which you will do something.
- 2 . Used as extra colors when you need to show or differentiate additional parts.
- 3 . Used for attachments that are to be removed/installed. May be screws, clips, connectors, etc.
- 4 . Used when the component is not fully removed from the vehicle but only hung to the side.
- 5 . Used for standard tools and special tools.
- 6 . Used as background color for vehicle components.



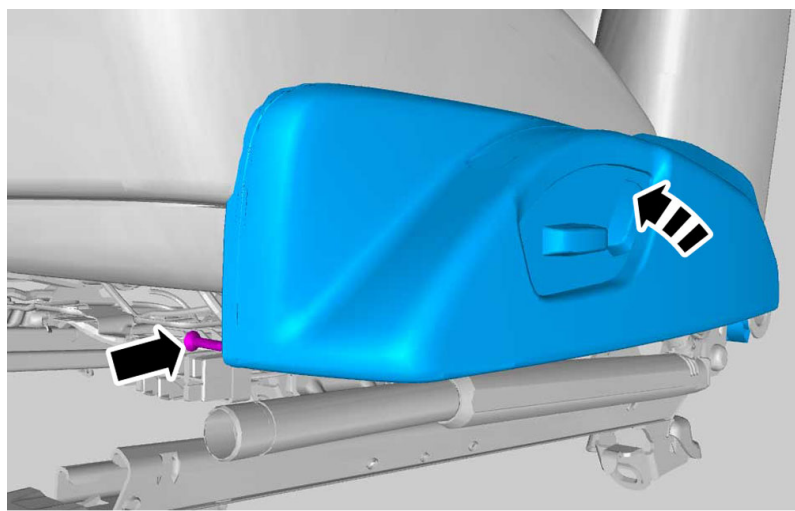


Applies to manually operated front seat



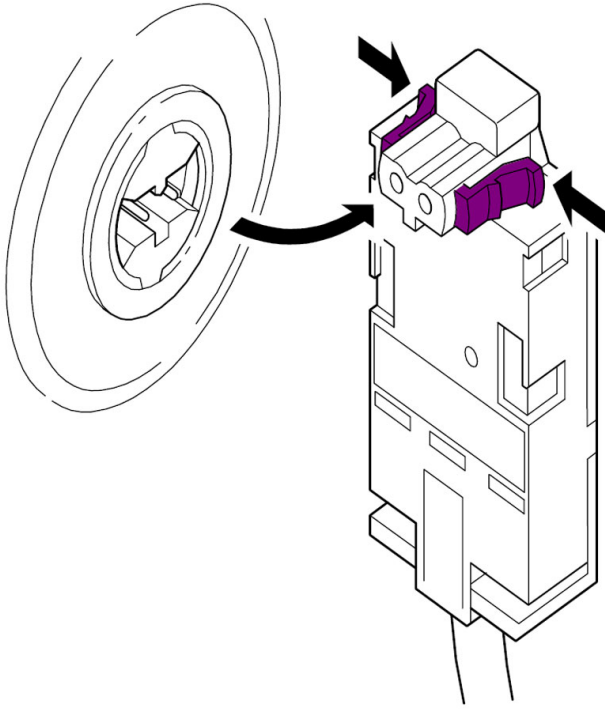
- 1 . Remove the screw.
 - 2 . Lift the marked component up
- Loosen the component indicated. Do not remove it.

Applies to power front seat

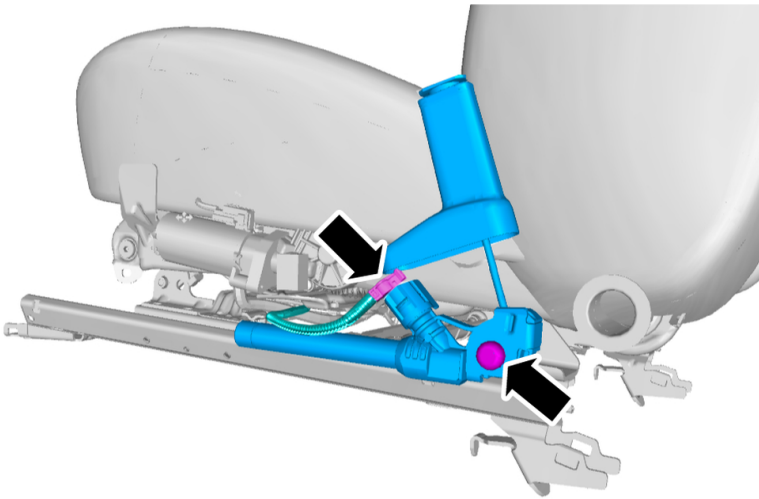


- Remove the screw.
- Loosen the component indicated. Do not remove it.

All vehicles



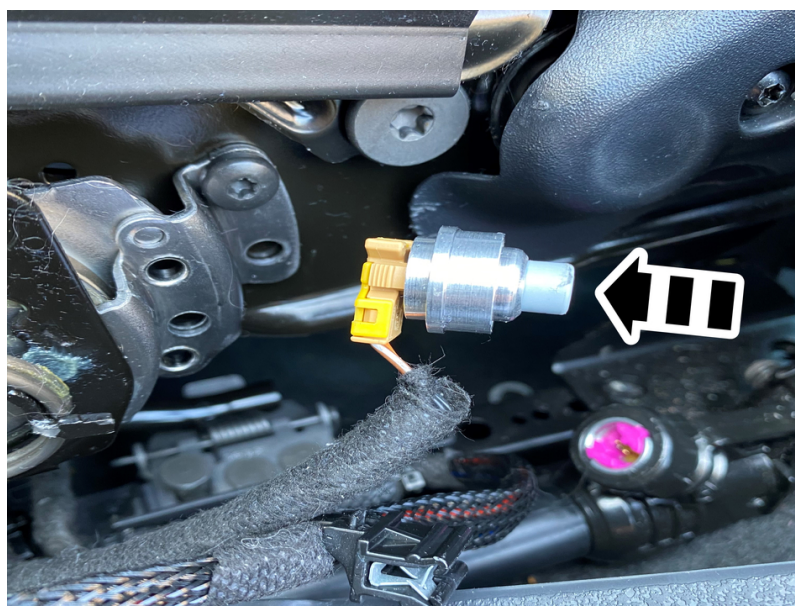
Release the connector's catch.
Disconnect the connector.



Disconnect the connector.
Remove the screw.
Remove the marked part.



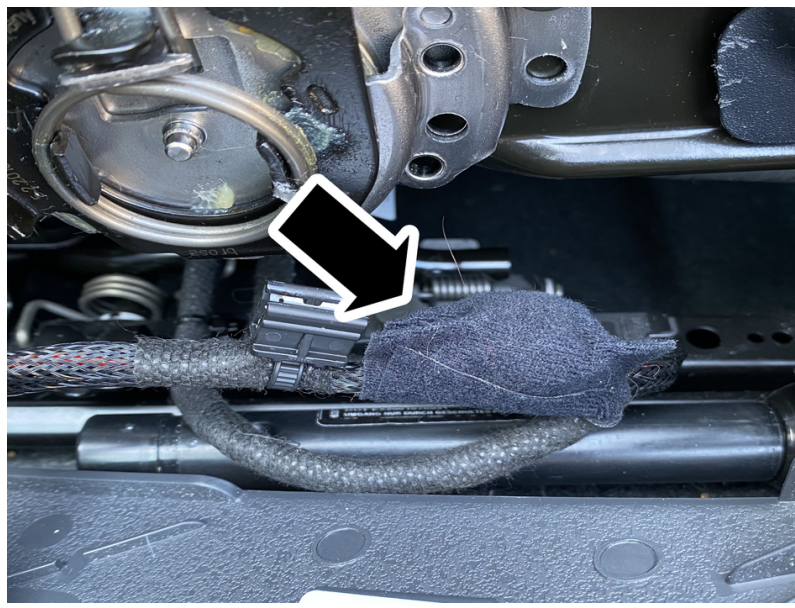
Snap-On socket PN. FTX50SE



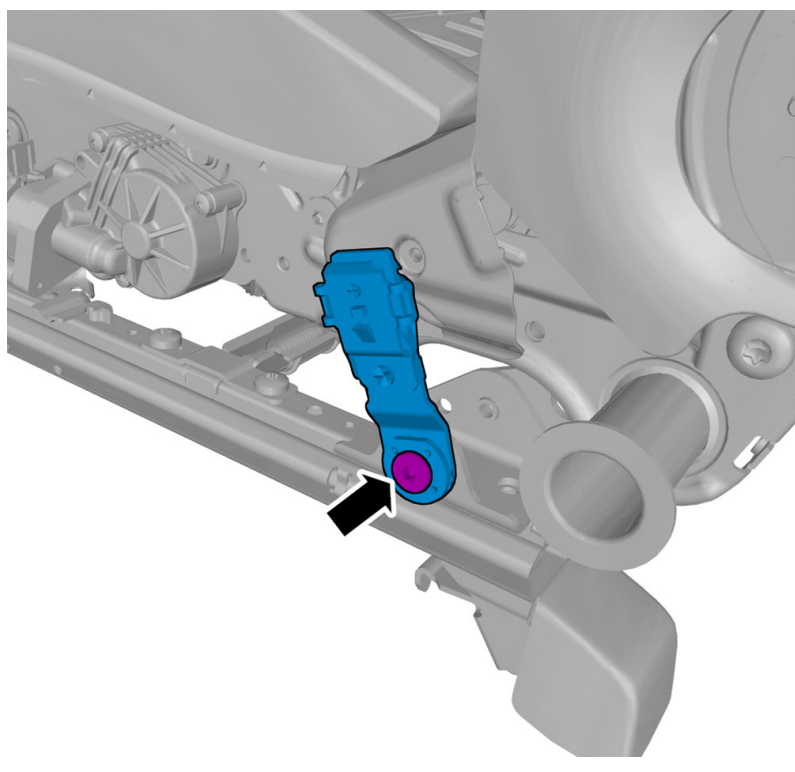
Install component/components from the repair kit.



Install component/components from the repair kit.
Use tape
Application as illustrated.



Put the tape around the cable.
Application as illustrated.



Install component/components from the repair kit.

Install the screw.

Torque:

Seat belt tensioner lap to seat , 40 Nm



Snap-On socket PN. FTX50SE

Also applies to the passenger side of the vehicles affected by the campaign.

Installation

To install, reverse the removal procedure.