

**ATTENTION:**

- GENERAL MANAGER
- PARTS MANAGER
- CLAIMS PERSONNEL
- SERVICE MANAGER

IMPORTANT - All Service Personnel Should Read and Initial in the boxes provided, right.


© 2020 Subaru of America, Inc. All rights reserved.



QUALITY DRIVEN® SERVICE

**PRODUCT CAMPAIGN BULLETIN**

**APPLICABILITY:** 2019MY Crosstrek

**NUMBER:** WRC-20

**SUBJECT:** Rear Seat Belt Webbing Locking

**DATE:** 04/01/20

**NHTSA ID:** 20V-189

**Please be advised the WRA-20 Customer Satisfaction Service Program for replacing the left and right rear seat belt assemblies in certain 2019 model year Crosstrek vehicles has been escalated to a safety recall. The new safety recall code for this action is WRC-20.**

**INTRODUCTION:**

Subaru of America, Inc. (Subaru) is recalling certain 2019MY Crosstrek vehicles to replace the LH and RH Rear Seat Lap-Shoulder Seatbelt Assemblies. The affected vehicles are equipped with rear seat belt assemblies with a dual locking mechanism; a primary G-sensor lock and a redundant webbing sensor lock. Due to improper installation of a pawl spring at the supplier, the redundant webbing sensor lock may become inoperative for some rear LH and RH seatbelts identified by the supplier. The primary G-sensor lock in these seatbelts is not affected and will remain fully functional.

**AFFECTED VEHICLES:**

Vehicles affected by the previous WRA-20 service program **which have not yet been repaired** will be included in this recall.

Model Year	Carline	Production Range	VIN Range
2019	Crosstrek	August 22, 2019 – September 13, 2019	K8384655 - KH393012

The WRA-20 coverage for **4,862 unrepaired vehicles** has been expired, and the new WRC-20 coverage is now applicable to those vehicles. Coverage for all affected vehicles must be confirmed by using the Vehicle Coverage Inquiry function on [subarunet.com](http://subarunet.com). This information is now available. Any remaining, unsubmitted WRA-20 claims should be submitted as WRC-20 claims, as described in the claim reimbursement and entry procedures section of this bulletin.

**REASON FOR THIS RECALL**

Due to improper installation of a pawl spring at the supplier, the redundant webbing sensor lock may become inoperative for some rear LH and RH seatbelts identified by the supplier.

**CAUTION: VEHICLE SERVICING PERFORMED BY UNTRAINED PERSONS COULD RESULT IN SERIOUS INJURY TO THOSE PERSONS OR TO OTHERS.**

Subaru Service Bulletins are intended for use by professional technicians ONLY. They are written to inform those technicians of conditions that may occur in some vehicles, or to provide information that could assist in the proper servicing of the vehicle. Properly trained technicians have the equipment, tools, safety instructions, and know-how to do the job correctly and safely. If a condition is described, DO NOT assume that this Service Bulletin applies to your vehicle, or that your vehicle will have that condition.

**Subaru of America, Inc. is ISO 14001 Compliant**

ISO 14001 is the international standard for excellence in Environmental Management Systems. Please recycle or dispose of automotive products in a manner that is friendly to our environment and in accordance with all local, state and federal laws and regulations.

*Continued...*

## SAFETY RISK

In the unlikely circumstance that the G-sensor lock unexpectedly fails to function, the seat belt assembly may not restrain the passenger properly, increasing the risk of injury.

## DESCRIPTION OF THE REMEDY

Subaru retailers will replace the LH and RH Rear Seat Lap-shoulder Seatbelt Assemblies.

## OWNER NOTIFICATION

Subaru expects to re-notify all potentially affected vehicle owners by first class mail on or about April 24, 2020. Owners with a valid email address on file with Subaru will also be notified by email.

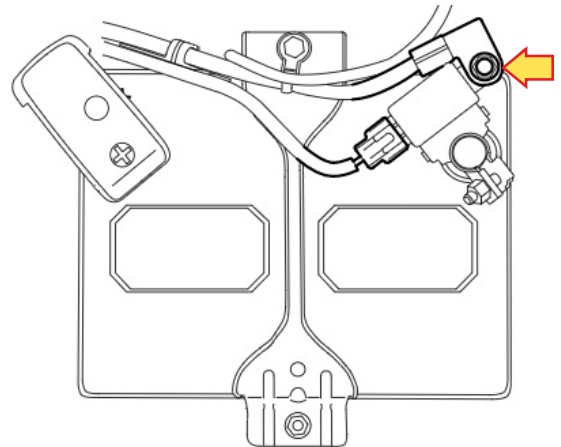
## RETAILER RESPONSIBILITY:

***Please be advised that it is a violation of Federal law for a dealer to deliver a new motor vehicle covered by a recall under a sale or lease until the defect is remedied. Therefore, any Authorized Subaru Retailer failing to perform the applicable service procedures to correct all affected vehicles in their inventory prior to the vehicle being placed in service may be subject to civil penalties of up to \$21,000 per violation (i.e., for each vehicle), as provided in 49 CFR §578.6 and will also be in breach of the Subaru Dealer Agreement.***

Any vehicles listed in any recall/campaign that are in retailer stock must be:

- Immediately identified.
- Tagged or otherwise marked to prevent their delivery or use prior to repair.
- Repaired in accordance with the repair procedures outlined in the Product Campaign Bulletin

Retailers are to promptly follow the applicable service procedures, to correct all affected vehicles in their inventory (new, used, demo & SSLP). Additionally, whenever a vehicle subject to this recall is taken into retailer inventory necessary steps should be taken to ensure the recall correction has been made before selling or releasing the vehicle.



## PARTS INFORMATION:

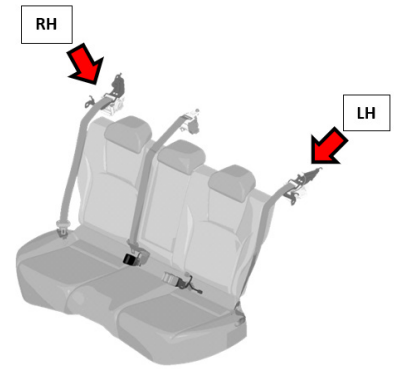
Description	Part Number	Application	Position Code	ID Code
BELT ASSY R OUT 5DR	64660FL3609S*	Right Side Outer	5RH	HH
	64660FL3709S*	Left Side Outer	5LH	HH

*\*Parts for completing this product campaign must be ordered through PRIME.*

*Continued...*

**IMPORTANT:** Always confirm the part numbers of the replacement parts as shown in the table above to be sure the correct parts are ordered.

**NOTE:** Position Code and ID Code details are provided in the Service Procedure section below.



**SERVICE PROCEDURE:**

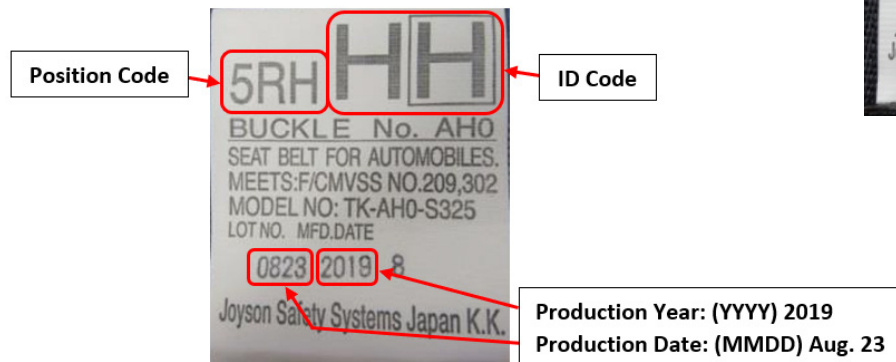
**IMPORTANT:** The use of **HAND TOOLS ONLY** is strongly recommended when performing these repairs. The use of air tools for bolt removal or installation may result in thread or weld nut damage. Weld nut damage may result in costly body panel replacement and would not be a matter for warranty. Work **CAREFULLY** using **hand tools only** along with a properly calibrated torque wrench to ensure all bolts are tightened and torqued to proper specification as part of this repair procedure.

This service procedure outlines replacement of both the left and right-hand outer seat belt assemblies. The center seat belt is **not** affected.

- Record all radio presets and navigation favorites (where applicable) for later reinstallation.
- Disconnect the negative battery cable from the 12V engine restart battery sensor (NEVER disconnect at the battery terminal itself) and always wait **at least 60** seconds before proceeding work to prevent any malfunction of the airbag pretensioner.
- When removing the negative battery cable from the battery sensor, **always support it and hold it in place with one hand** while loosening the retaining nut. Doing so will prevent battery sensor damage / deformation from unnecessary movement.
- **CAREFULLY** remove the necessary interior trim panels for seat belt access along with the rear seat cushion following the procedures in the applicable Service Manual and set them aside in a safe place.

**CAUTION:** The airbag system satellite safing sensor is located under the front center of the rear seat cushion. Be careful not to apply any strong impact force to the sensor while working in that area with the seat cushion removed.

- **After seat belt removal, mark the tag with a permanent marker** as shown here to distinguish the old part from the replacement (new) part. If by chance the old parts become confused with the new parts, check the date code to identify the new seat belt assemblies using the photo below as a guide.



*Continued...*

- Install the new outer seat belt assemblies in reverse order of removal. Confirm the new seat belt webbing is not twisted and can be pulled out and retracted smoothly.

**VERY IMPORTANT:** Confirm both the Emergency Locking Retractor (ELR) and Automatic Locking Retractor (ALR) operation of both new seat belts:

- **ELR:** Pull out a short length of belt and then tug it sharply to confirm it locks.
- **ALR:** Pull out the entire length of belt and confirm it retracts, ratchets, tightens and holds when pulled on (ALR).
- Latch BOTH belts and confirm all buckles function properly.
- **CAREFULLY** reinstall the interior trim panels and rear seat cushion in reverse order of removal following the procedures in the applicable Service Manual.
- Reconnect the negative (-) cable to the battery temperature sensor and torque the nut to **7.5 Nm (5.5 ft. lbs.)**. **NOTE:** Never exceed this torque specification as battery sensor damage may result. When installing the negative battery cable from or to the battery sensor, **always support it and hold it in place with one hand** while torquing the retaining nut. Doing so will prevent battery sensor damage / deformation from unnecessary movement.

**IMPORTANT REMINDERS:**

- After the battery is reconnected, initial diagnosis of the electronic throttle control is performed automatically. Always wait 10 seconds or more after turning the ignition switch ON before starting the engine.
- Reset the customer’s clock, radio presets and navigation favorites (where applicable).
- Confirm auto up / down operation of both front windows. Re-initialize if necessary (due to battery disconnect).
- If the customer had a phone paired to the infotainment system, re-pairing will be required. Assist the customer with this task if necessary.

**SERVICE PROGRAM IDENTIFICATION LABEL:**

Type or print the necessary information on a Campaign Identification Label. The completed label should be attached to the vehicle’s upper radiator support. Additional labels are available through normal parts ordering channels. The part number is **MSA6P1302**, which comes as one sheet of 20 labels.

Part Number	Applicability	Description	Order Quantity
MSA6P1302	All Models	Campaign Completion Labels (contains one sheet of 20 labels)	1

<b>SUBARU</b>
Campaign Code
<b>WRC-20</b>
COMPLETED
DIST./DEALER NO.
SERIAL NO.
<b>DO NOT REMOVE</b>

*Continued...*

## CLAIM REIMBURSEMENT AND ENTRY PROCEDURES:

Credit to perform this recall will be based on properly completed repair order information. Retailers may submit claims through Subarunet.com. Any remaining, unsubmitted WRA-20 claims should be submitted as WRC-20 claims, as described below.

Labor Description	Labor Operation #	Labor Time	Fail Code	Claim Type
WRC-20 LEFT & RIGHT REAR OUTER SEAT BELT REPLACEMENT	A191-124	0.8	WRC-20	RC

## IMPORTANT REMINDERS:

- SOA strongly discourages the printing and/or local storage of service information as previously released information and electronic publications may be updated at any time.
- Always check for any open recalls or campaigns anytime a vehicle is in for servicing.
- Always refer to STIS for the latest service information before performing any repairs.