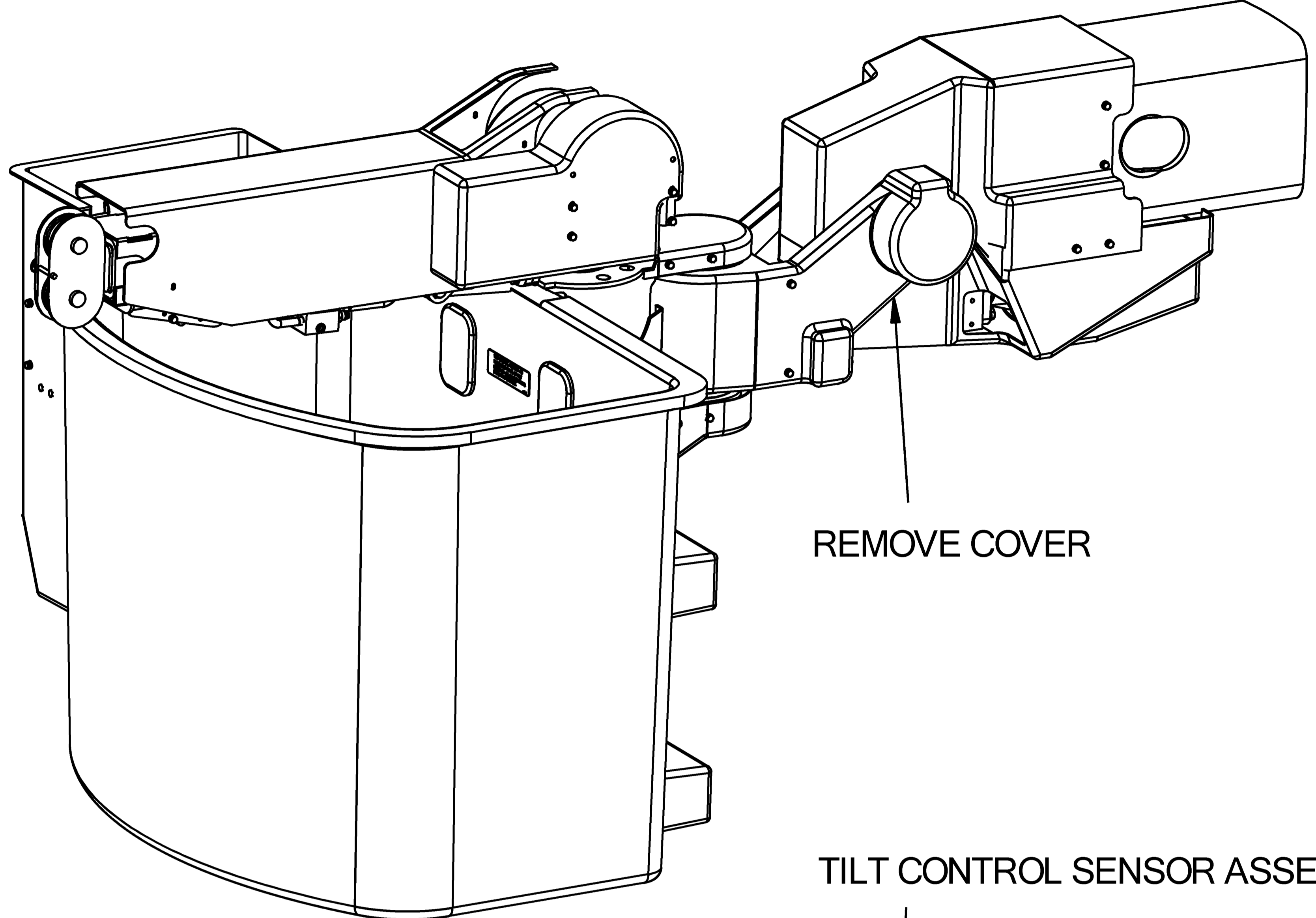


END MOUNT BOOM TIP

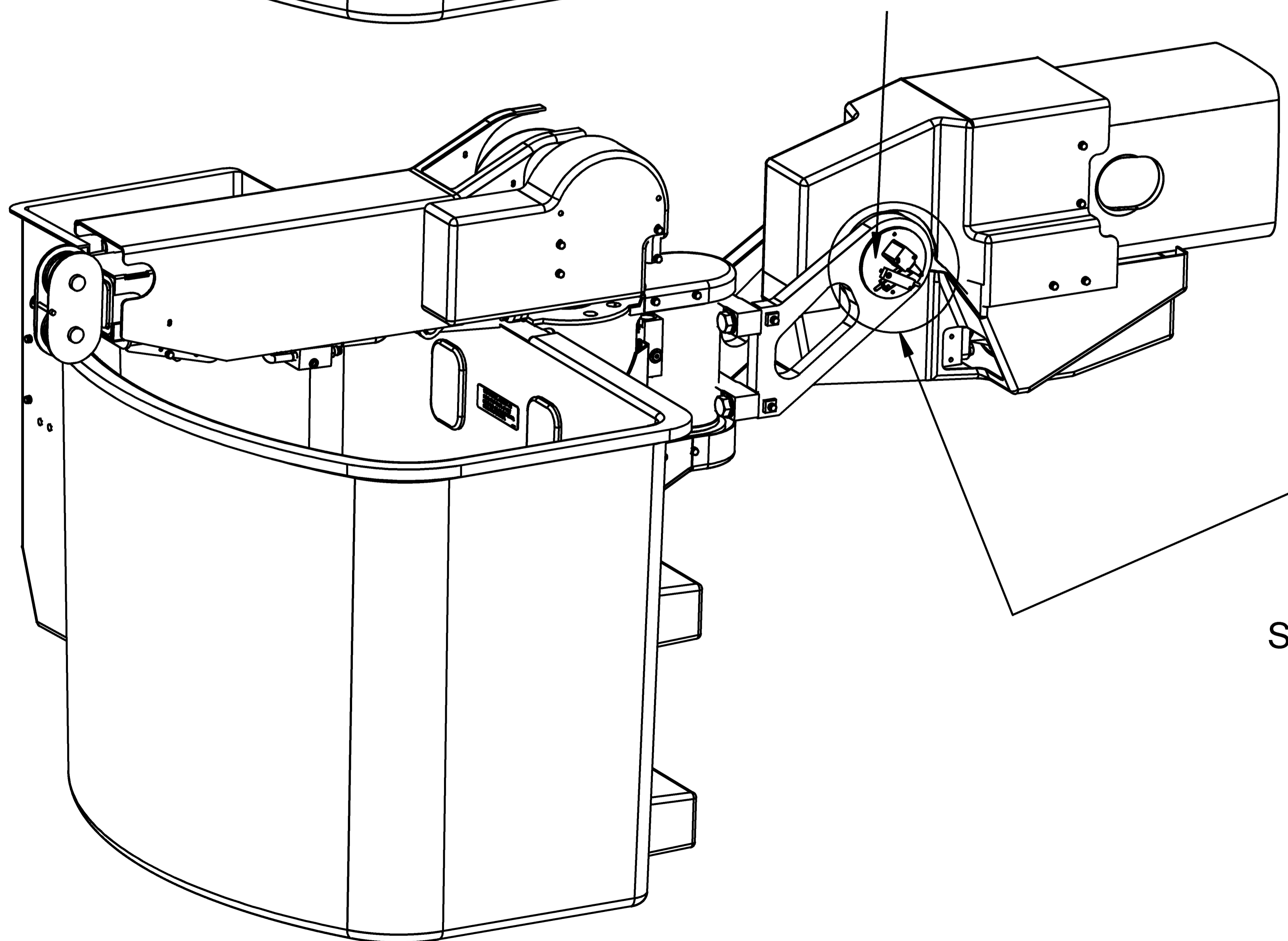
REVISIONS					
REV	DESCRIPTION	ECN	DATE	CHG BY	APP BY
A	ORIGINAL	77629	1/28/20	JKM	JKM
B	CHANGED TEST	78589	4/27/20	JKM	JKM
C	ADD SPACER AND INSTRUCTIONS	78644	5/11/20	JKM	JKM



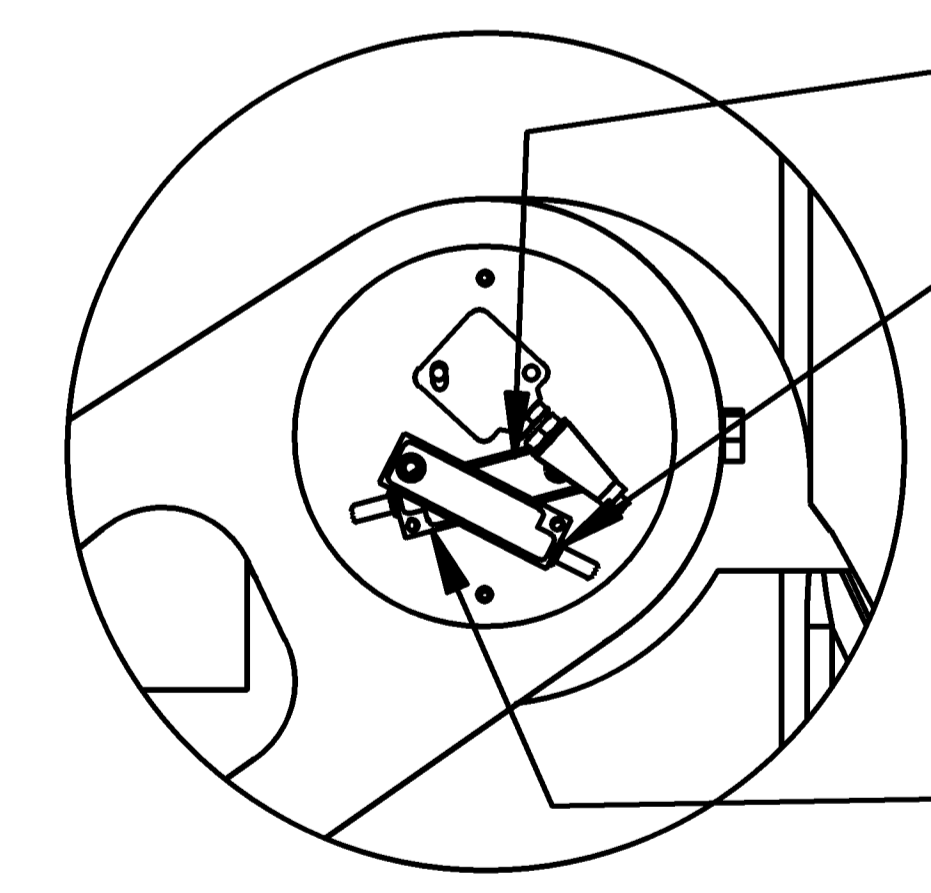
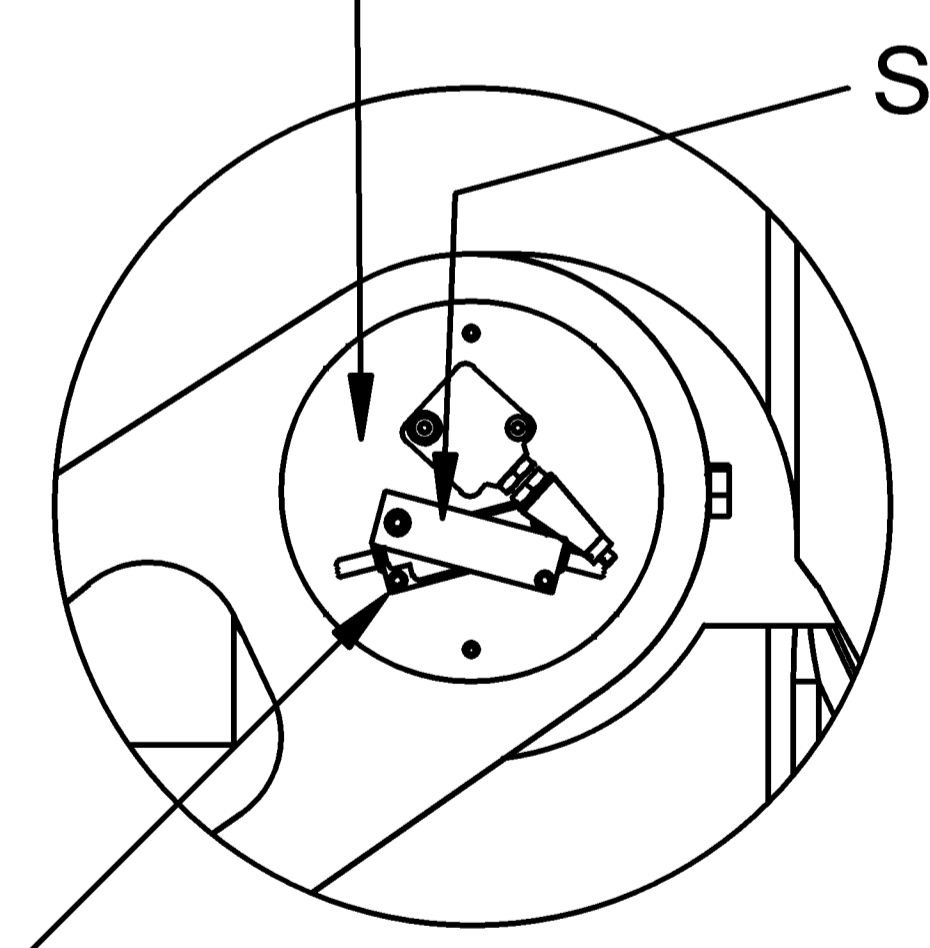
- 1) REMOVE COVER OVER TILT CONTROL SENSOR ASSEMBLY.
- 2) INSPECT TILT SWITCH MOUNTING. TAKE A "BEFORE" PHOTO OF THE SENSOR MOUNTING AND INCLUDE WITH COMPLETION FORM.
- 3) LOCATE THE "A" SWITCH AND "B" SWITCH. EACH SWITCH SHOULD BE LABELED WITH WHITE MARKER WITH THE LETTER "A" OR "B". IF NOT, REFER TO THE TESTING SHEET TO DETERMINE THE "A" SWITCH AND "B" SWITCH.
- 4) REMOVE SWITCHES.
- 5) POSITION THE "B" SWITCH AS THE BACK SWITCH (SWITCH MOUNTED DIRECTLY TO THE MOUNTING PLATE) WITH THE PURPLE POTTING MATERIAL FACING OUT AWAY FROM THE MOUNTING PLATE.
- 6) POSITION THE "A" SWITCH AS THE FRONT SWITCH (SWITCH MOUNTED ON TOP OF THE "B" SWITCH) WITH THE PURPLE POTTING MATERIAL FACING IN TOWARDS THE MOUNTING PLATE. USE SPACERS PROVIDED TO SPACE THE "A" SWITCH OUT FROM THE MOUNTING PLATE.

DO NOT OVERTIGHTEN THE SWITCH MOUNTING BOLTS. THE "B" SWITCH MIGHT HAVE SOME CRACKING IN THE BLACK PLASTIC HOUSING, IT CAN STILL BE USED PROVIDED THAT THE SWITCH CAN STILL BE SECURLY FASTENED AND THE UNIT PASSES THE TESTING PORTION OF THIS INSTRUCTIONAL SHEET.

7) SEE PAGE 2



PURPLE POTTING MATERIAL IS FACING AWAY FROM MOUNTING PLATE ON BACK SWITCH "B". PURPLE POTTING MATERIAL IS FACING TOWARD MOUNTING PLATE ON FRONT SWITCH "A". CABLE ABOVE THE MOUNTING HOLE ON BOTH SWITCHES.



BOTH SWITCHES MOUNTED INCORRECTLY. PURPLE POTTING MATERIAL IS FACING OUT ON BOTH SWITCHES, SWITCH "A" IS BACK AND SWITCH "B" IS FRONT.

SWITCH "B"

SWITCH "A"

SWITCH "A"
SWITCH "B"

1	627436	SPACER	REF
ITEM	PART NO	PART NAME	QTY

THIS DRAWING, WRITTEN DESCRIPTION OR SPECIFICATION REPRESENTS TEREX SOUTH DAKOTA, INC. AND SHALL NOT BE RELEASED, DISCLOSED, USED, NOR DUPLICATED WITHOUT THE WRITTEN PERMISSION OF TEREX SOUTH DAKOTA, INC.

SIMILAR TO: N/A

SEE 603948 FOR WELD REQUIREMENTS, UNLESS OTHERWISE NOTED.

ALL DIMENSIONS ARE IN INCHES UNLESS OTHERWISE STATED
3RD ANGLE PROJECTION

DO NOT SCALE THIS DRAWING WORK TO FIGURES. BREAK ALL SHARP CORNERS UNLESS OTHERWISE SPECIFIED.

TOLERANCE UNLESS OTHERWISE SPECIFIED:
X ±.060
XX ±.030
XXX ±.010

ANGLES: ±2°
WELDMENTS: ±.060

TEREX

9158496
1 OF 3

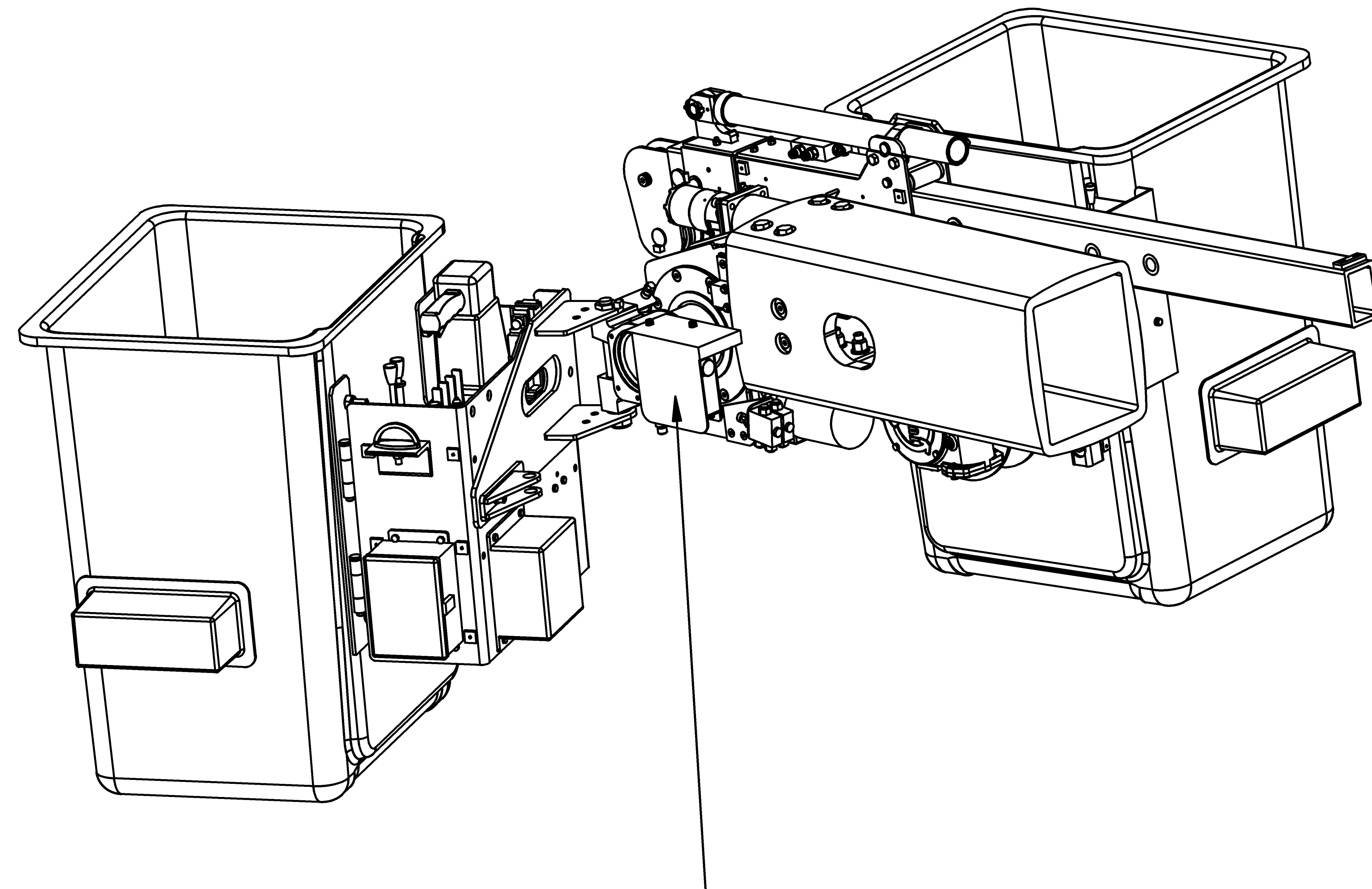
PART NAME: FSK INSTRUCTIONS

PRODUCT: TM | ASSY: 9158496 | MASS:

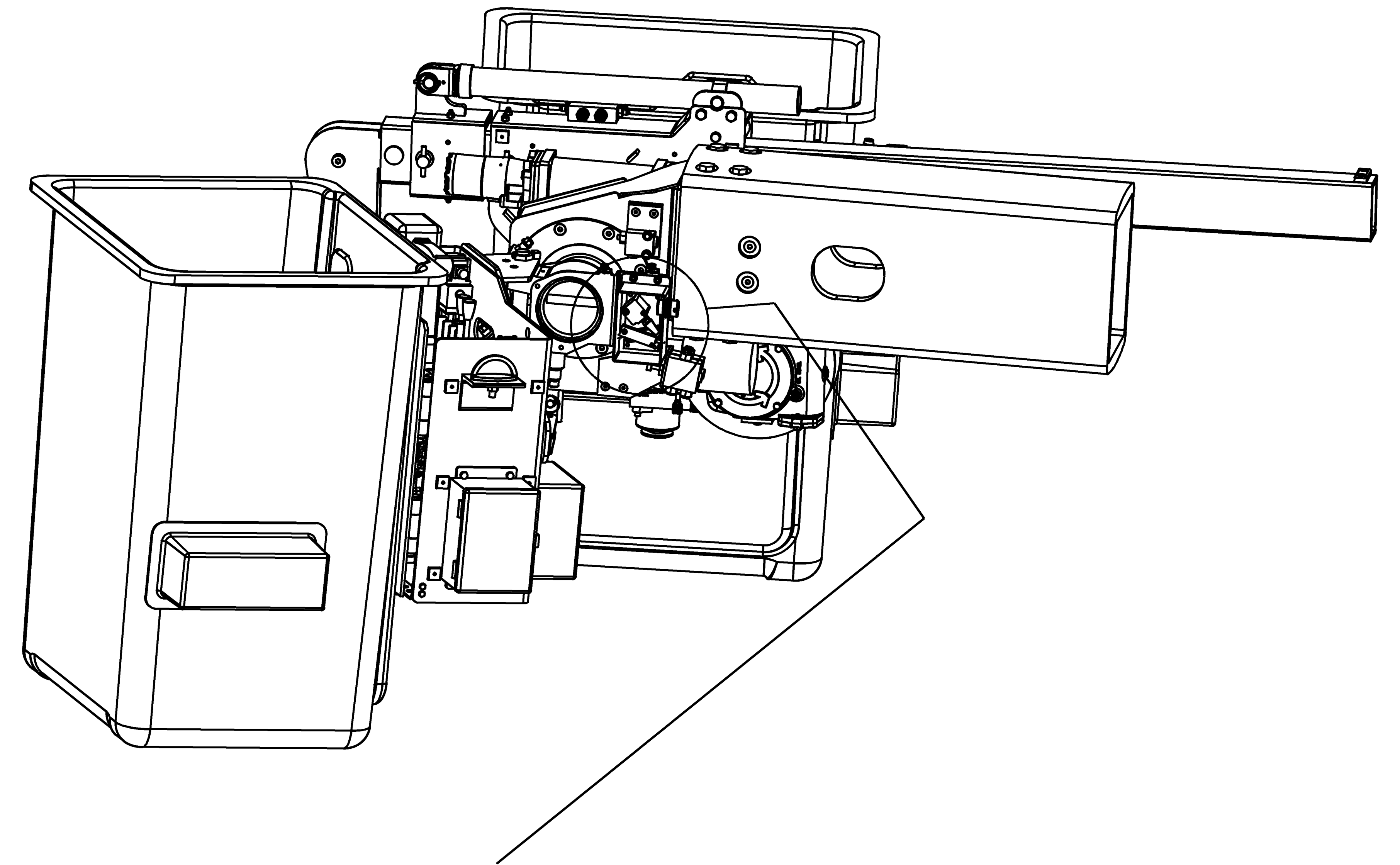
MATERIAL: | STOCK SIZE:

DRAWN BY: JKM | DATE: 1/28/20 | SCALE: | FORM# 3469B

DUAL PLATFORM BOOM TIP

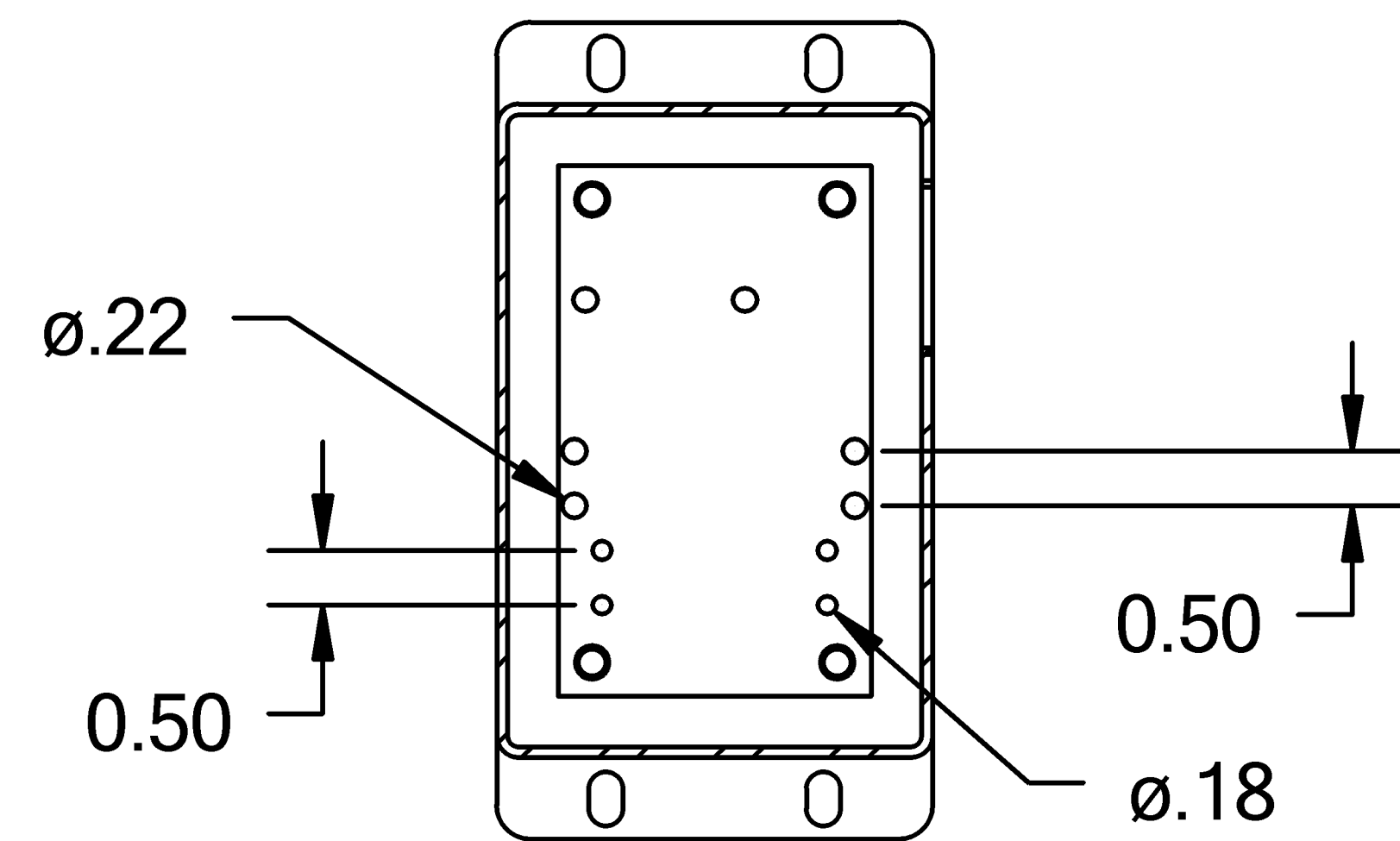


REMOVE COVER

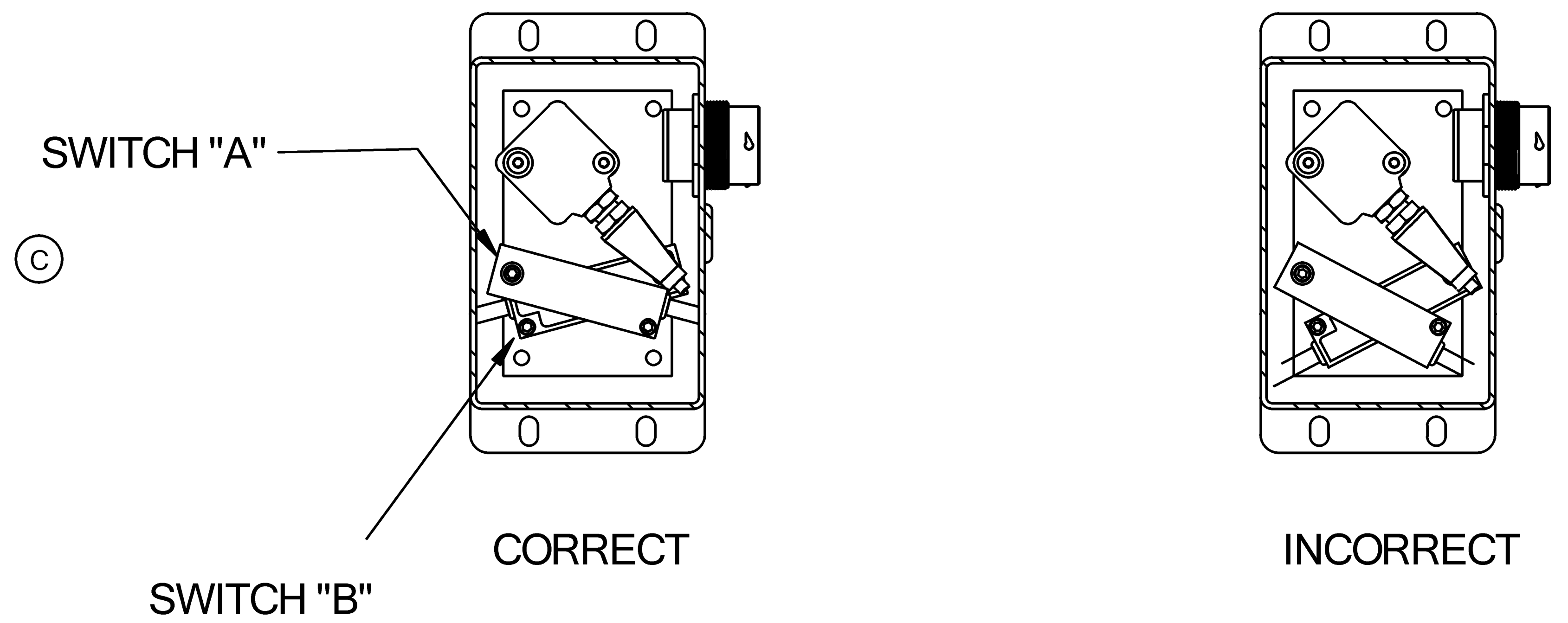


DRILL HOLES IN SWITCH MOUNTING PLATE IF SWITCHES ARE MOUNTED INCORRECTLY

DRILL 2 - ϕ .22 HOLES 0.50" LOWER



DRILL 2 - ϕ .18 HOLES 0.50" LOWER



<small>THIS DRAWING, WRITTEN DESCRIPTION OR SPECIFICATION REPRESENTS TEREX SOUTH DAKOTA, INC. AND SHALL NOT BE RELEASED, DISCLOSED, USED, NOR DUPLICATED WITHOUT THE WRITTEN PERMISSION OF TEREX SOUTH DAKOTA, INC.</small>				9158496	C
<small>SEE 603948 FOR WELD REQUIREMENTS, UNLESS OTHERWISE NOTED.</small>		<small>DO NOT SCALE THIS DRAWING WORK TO FIGURES. BREAK ALL SHARP CORNERS UNLESS OTHERWISE SPECIFIED.</small>		2 OF 3	
<small>SIMILAR TO: N/A</small>		PART NAME: FSK INSTRUCTIONS			
<small>ALL DIMENSIONS ARE IN INCHES UNLESS OTHERWISE STATED 3RD ANGLE PROJECTION</small>		PRODUCT: TM		ASSY: 9158496	
TOLERANCE UNLESS OTHERWISE SPECIFIED:		.X \pm .060 .XX \pm .030 .XXX \pm .010		MASS:	
ANGLES: \pm 2° WELDMENTS: \pm .060		MATERIAL:		STOCK SIZE:	
		DRAWN BY: JKM		DATE: 1/28/20	
		SCALE:		FORM# 3469B	

DISCONNECT CABLE

SERVO VALVE

TOP VIEW OF SERVO VALVE

MANUAL LEVER

MOVE SIDE TO SIDE ONLY

MANUAL LEVER. MOVE SIDE TO SIDE ONLY.

LEVEL CONTROLLER

LEVEL CONTROLLER LED

YELLOW WIRE

FUSE PANEL

BLACK COLORED HOUSING

SWITCH "A"

CABLE ABOVE MOUNTING HOLE

A1
A2
A3
A4
A5
A6
A7
A8

A4 GROUND
A6 SWITCH "A"
A7 SWITCH "B"

B1
B2
B3
B4
B5
B6
B7
B8
B1 RE-ZERO LEVEL
B2 RE-ZERO LEVEL

CABLE ABOVE MOUNTING HOLE

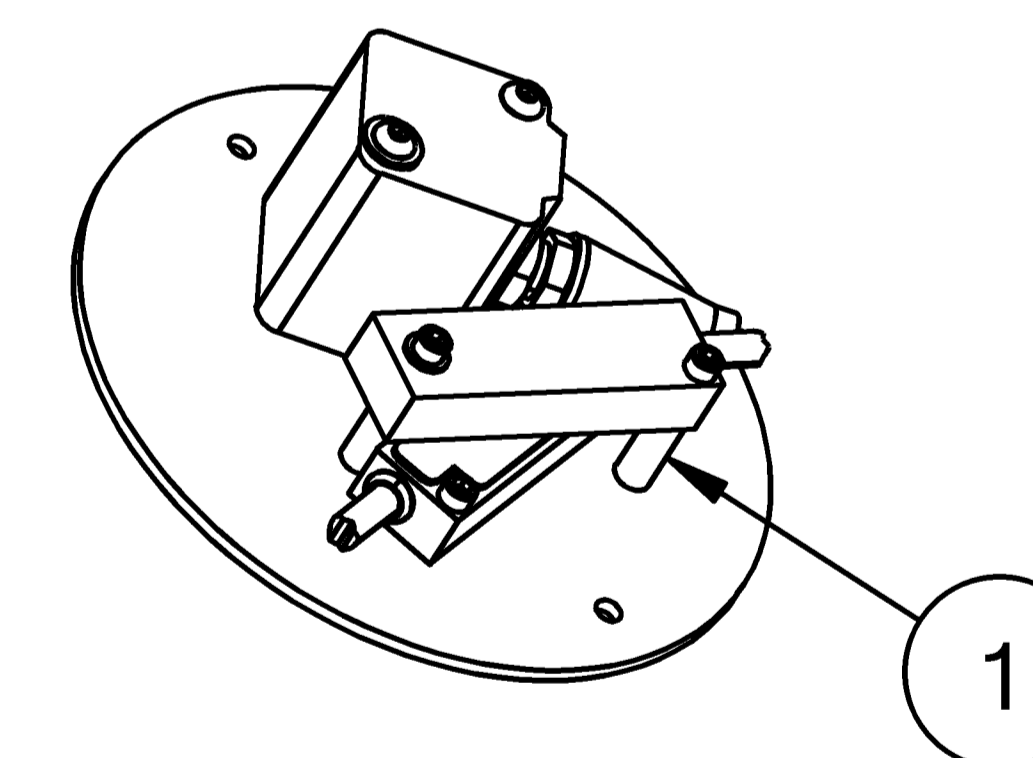
PURPLE COLORED POTTING MATERIAL

SWITCH "B"

- 7) TAKE AN "AFTER" PHOTO OF THE SENSOR MOUNTING AND INCLUDE WITH COMPLETION FORM.
- 8) REMOVE COVER OVER LEVEL CONTROL BOX AND SERVO VALVE.

TEST

- 1) LOCATE THE SERVO VALVE AND DISCONNECT THE ELECTRICAL CABLE.
- 2) LOCATE THE LEVEL CONTROLLER.
- 3) LOCATE PIN A4, A6, A7, B1, AND B2.
- 4) LOCATE YELLOW WIRE WITH TAPED END. REMOVE TAPE AND INSERT YELLOW WIRE INTO THE MIDDLE FUSE PANEL. THE LEVEL CONTROLLER LED WILL TURN ON FLASHING GREEN
- 5) SWITCH "A" IS WIRED TO A6 AND SWITCH "B" IS WIRED TO A7
- 6) CONNECT THE POSTIVE LEAD OF A VOLTAGE METER TO PIN A6 AND THE NEGATIVE LEAD TO PIN A4. DO NOT DISCONNECT THE WIRES IN PIN A4 AND A6.
- 7) ENABLE THE SINGLE STICK AND MANUALLY LEVEL DOWN (DUMP) THE PLATFORM BY MOVING THE MANUAL LEVER ON THE SERVO VALVE SIDE TO SIDE. DO NOT LIFT UP ON MANUAL LEVER ON SERVO VALVE OR THE LEVER COULD BREAK.
- 8) VERIFY THERE IS 12 VOLTS ACROSS PIN A4 AND PIN A6 WHEN THE PLATFORM IS MORE THAN 10 DEGREES DOWN.
- 9) CONNECT THE POSTIVE LEAD OF A VOLTAGE METER TO PIN A7 AND THE NEGATIVE LEAD TO PIN A4. DO NOT DISCONNECT THE WIRES IN PIN A4 AND A7.
- 10) ENABLE THE SINGLE STICK AND MANUALLY LEVEL UP (TIP UP) THE PLATFORM BY MOVING THE MANUAL LEVER ON THE SERVO VALVE SIDE TO SIDE.
- 11) VERIFY THERE IS 12 VOLTS ACROSS PIN A4 AND PIN A7 WHEN THE PLATFORM IS MORE THAN 10 DEGREES UP.
- 12) ENABLE THE SINGLE STICK AND MANUALLY LEVEL THE PLATFORM WITH THE MANUAL LEVER ON THE SERVO VALVE TO ZERO DEGREES. CONNECT B1 AND B2 (RE-ZERO LEVEL) TERMINALS TOGETHER WITH A FLAT BLADE SCREWDRIVER FOR 5 SECONDS. LEVEL CONTROLLER LED WILL TURN RED AND THEN BACK TO FLASHING GREEN.
- 13) DISCONNECT THE YELLOW WIRE FROM THE FUSE PANEL AND TAPE END OF YELLOW WIRE.
- 14) RE-CONNECT ALL CABLES. VERIFY THE YELLOW WIRE IS DISCONNECTED FROM THE FUSE PANEL AND THE LEVEL CONTROLLER LED IS OFF.
- 15) INSTALL COVERS.



C

<small>THIS DRAWING, WRITTEN DESCRIPTION OR SPECIFICATION REPRESENTS TEREX SOUTH DAKOTA, INC. AND SHALL NOT BE RELEASED, DISCLOSED, USED, NOR DUPLICATED WITHOUT THE WRITTEN PERMISSION OF TEREX SOUTH DAKOTA, INC.</small>		
SIMILAR TO: N/A		
SEE 603948 FOR WELD REQUIREMENTS, UNLESS OTHERWISE NOTED.		
ALL DIMENSIONS ARE IN INCHES UNLESS OTHERWISE STATED 3RD ANGLE PROJECTION	DO NOT SCALE THIS DRAWING WORK TO FIGURES BREAK ALL SHARP CORNERS UNLESS OTHERWISE SPECIFIED	
TOLERANCE UNLESS OTHERWISE SPECIFIED: ANGLES: ±2° WELDMENTS: ±0.06	X ±.060 .XX ±.030 .XXX ±.010	
		9158496 C
PART NAME: FSK INSTRUCTIONS		3 OF 3
PRODUCT: TM	ASSY: 9158496	MASS:
MATERIAL:	STOCK SIZE:	
DRAWN BY: JKM	DATE: 1/28/20	SCALE: FORM# 3469B