



FIELD KIT

Vermeer Corporation

Environmental
Pella, IA 50219 USA

FIELD CAMPAIGN KIT#	IK003961	DATE:	26 August 2020
For Dealer Reference: Service Bulletin #SVC2020-113			
BC1000XL, BC1200XL and BC1500 Brush Chipper Wheel and Tire Information Update Kit			

CAMPAIGN TYPE:	Mandatory-Product Safety
CAMPAIGN CATEGORY:	Kit and Bulletin

MACHINE/ ATTACHMENT MODEL(S):	Serial Numbers		Kit Version
	Included	Excluded	
BC1000XL	18736, 19941, 20605, 20970, 21629, 22848, 22918, 23131, 23899, 23933, 24299, 24874, 25176, 25210, 25213, 25214, 25243, 30638, 30639	NONE Does not include 5200 lb (2360 kg) electric brake axle	IK01: safety sign (English text); tire placard; and English supplemental manual
BC1000XL	NONE (Current location of machines indicate IK02 is not required.)	18736, 19941, 20605, 20970, 21629, 22848, 22918, 23131, 23899, 23933, 24299, 24874, 25176, 25210, 25213, 25214, 25243, 30638, 30639 Does not include: 5200 lb (2360 kg) electric brake axle	IK02: safety sign (no text); tire placard; and English + translated supplemental manual

MACHINE/ ATTACHMENT MODEL(S):	Serial Numbers		
	Included	Excluded	Kit Version
BC1200XL	381, 382, 398, 401, 403, 409, 421, 433, 438, 441, 442, 454, 457, 459, 464, 468, 474, 1001, 1005, 1010, 1015, 1021, 1040, 1041, 1044, 1054, 1069, 1080, 1097, 1110, 1116, 1119, 1120, 1122, 1123, 1129, 1131, 1138, 1179, 1181, 1186, 1189, 1204, 1207, 1215, 1221, 1224, 1242, 1249, 1254, 1256, 1304, 1313, 1333, 1336, 1338, 1345, 1358, 1390, 1394, 1406, 1426, 1435, 1436, 1440, 1445, 1447, 1453, 1459, 1463, 1522, 1530–1532, 1538, 1539, 1547, 1548, 1550, 1560, 1566, 1567, 1570, 1573, 1576, 1590, 1592–1594, 1601, 3022, 3024, 3029, 3036, 3040, 3047, 3048, 3065, 3091, 3096, 3158, 3515, 3520, 3521, 3624	449, 1037 Does not include: Sales Codes 088, 2VP, 5VP	IK01: safety sign (no text); tire placard; and English supplemental manual
BC1200XL	449, 1037	381, 382, 398, 401, 403, 409, 421, 433, 438, 441, 442, 454, 457, 459, 464, 468, 474, 1001, 1005, 1010, 1015, 1021, 1040, 1041, 1044, 1054, 1069, 1080, 1097, 1110, 1116, 1119, 1120, 1122, 1123, 1129, 1131, 1138, 1179, 1181, 1186, 1189, 1204, 1207, 1215, 1221, 1224, 1242, 1249, 1254, 1256, 1304, 1313, 1333, 1336, 1338, 1345, 1358, 1390, 1394, 1406, 1426, 1435, 1436, 1440, 1445, 1447, 1453, 1459, 1463, 1522, 1530–1532, 1538, 1539, 1547, 1548, 1550, 1560, 1566, 1567, 1570, 1573, 1576, 1590, 1592–1594, 1601, 3022, 3024, 3029, 3036, 3040, 3047, 3048, 3065, 3091, 3096, 3158, 3515, 3520, 3521, 3624	IK02: safety sign (no text); tire placard; and English + translated supplemental manual

MACHINE/ ATTACHMENT MODEL(S):	Serial Numbers		
	Included	Excluded	Kit Version
BC1500	See attached listing on pages 4–7 of this KIT for specific VIN/SN	2040, 5484, 5575, 5613, 8225, 8477 Does not include: EU Trailer, Sales Codes 055, 14VP, 10VP	IK01: safety sign (English text); tire placard; and English supplemental manual
BC1500	2040, 5484, 5575, 5613, 8225, 8477, 8716	See attached listing on pages 4–7 of this KIT for specific VIN/SN Does not include: EU Trailer, Sales Codes 055, 14VP, 10VP	IK02: safety sign (no text); tire placard; and English + translated supplemental manual



PURPOSE: POSSIBLE LOSS OF WHEEL AND RISK OF CRASH. Specific wheels (steel rim) with bolt pattern 8 on 6 1/2 inch (165 mm) circle to be used with 5/8" studs provided by a supplier:

- causing wheel lug nuts to loosen; and/or
- can develop possible cracks causing the tire to lose air pressure. Both conditions may increase the risk of wheel loss and the risk of a crash. **Death or serious injury** is possible. Property damage may also occur

SPECIAL TOOLS AND CONDITIONS:

- None

BC1500 AFFECTED MACHINES - IK01-3961						
MODEL	VIN		MODEL	VIN		
BC1500	1VR2161V871001016		BC1500	1VR2161V981001527	BC1500	1VR2161V8A1002450
BC1500	1VR2161V671001029		BC1500	1VR2161V281001532	BC1500	1VR2161V4A1002462
BC1500	1VR2161V771001055		BC1500	1VR2161V181001537	BC1500	1VR2161V5A1002471
BC1500	1VR2161V771001072		BC1500	1VR2161V581001556	BC1500	1VR2161V6A1002494
BC1500	1VR2161V971001090		BC1500	1VR2161V981001575	BC1500	1VR2161V5A1002504
BC1500	1VR2161V471001109		BC1500	1VR2161V481001581	BC1500	1VR2161V3A1002517
BC1500	1VR2161V471001126		BC1500	1VR2161V391002013	BC1500	1VR2161VXB1002547
BC1500	1VR2161VX71001129		BC1500	1VR2161V691002023	BC1500	1VR2161V1B1002551
BC1500	1VR2161V571001135		BC1500	1VR2161V591002031	BC1500	1VR2161V7B1002554
BC1500	1VR2161V771001136		BC1500	1VR2161V591002062	BC1500	1VR2161V0B1002573
BC1500	1VR2161V271001139		BC1500	1VR2161V891002069	BC1500	1VR2161V4B1002589
BC1500	1VR2161V871001162		BC1500	1VR2161V491002084	BC1500	1VR2161V1B1002596
BC1500	1VR2161V071001169		BC1500	1VR2161VX91002090	BC1500	1VR2161VXB1002614
BC1500	1VR2161V771001170		BC1500	1VR2161V191002091	BC1500	1VR2161V7B1002618
BC1500	1VR2161V371001179		BC1500	1VR2161V991002095	BC1500	1VR2161V9B1002619
BC1500	1VR2161V071001186		BC1500	1VR2161V991002100	BC1500	1VR2161V2B1002624
BC1500	1VR2161V671001189		BC1500	1VR2161V191002155	BC1500	1VR2161V4B1002639
BC1500	1VR2161V471001191		BC1500	1VR2161V791002158	BC1500	1VR2161VXB1002645
BC1500	1VR2161V371001196		BC1500	1VR2161V891002170	BC1500	1VR2161V3B1002647
BC1500	1VR2161V771001203		BC1500	1VR2161VX91002171	BC1500	1VR2161V3B1002650
BC1500	1VR2161V671001208		BC1500	1VR2161V091002177	BC1500	1VR2161V9B1002684
BC1500	1VR2161V471001210		BC1500	1VR2161V291002181	BC1500	1VR2161V4B1002690
BC1500	1VR2161V371001229		BC1500	1VR2161V891002184	BC1500	1VR2161V7B1002697
BC1500	1VR2161V171001231		BC1500	1VR2161V291002195	BC1500	1VR2161VXB1002709
BC1500	1VR2161V071001236		BC1500	1VR2161V691002197	BC1500	1VR2161V5B1002715
BC1500	1VR2161V871001243		BC1500	1VR2161V791002208	BC1500	1VR2161V0B1002718
BC1500	1VR2161V071001253		BC1500	1VR2161V591002210	BC1500	1VR2161V7B1002733
BC1500	1VR2161V381001278		BC1500	1VR2161V291002231	BC1500	1VR2161V2B1002736
BC1500	1VR2161V981001298		BC1500	1VR2161V391002240	BC1500	1VR2161V8B1002739
BC1500	1VR2161VX81001309		BC1500	1VR2161V091002258	BC1500	1VR2161V9B1002748
BC1500	1VR2161V681001338		BC1500	1VR2161V391002271	BC1500	1VR2161V3B1002759
BC1500	1VR2161V081001349		BC1500	1VR2161V791002273	BC1500	1VR2161V4B1002771
BC1500	1VR2161V281001353		BC1500	1VR2161V991002274	BC1500	1VR2161V5B1002777
BC1500	1VR2161V381001359		BC1500	1VR2161V291002276	BC1500	1VR2161V0B1002797
BC1500	1VR2161V981001379		BC1500	1VR2161V091002289	BC1500	1VR2161V9C1002833
BC1500	1VR2161V581001380		BC1500	1VR2161V4A1002316	BC1500	1VR2161V3C1002844
BC1500	1VR2161V481001435		BC1500	1VR2161V6A1002334	BC1500	1VR2161V9C1002847
BC1500	1VR2161V781001459		BC1500	1VR2161V6A1002348	BC1500	1VR2161V5C1002862
BC1500	1VR2161V481001466		BC1500	1VR2161V7A1002388	BC1500	1VR2161V0C1002879
BC1500	1VR2161V281001482		BC1500	1VR2161V7A1002410	BC1500	1VR2161V7C1002880
BC1500	1VR2161V881001504		BC1500	1VR2161V6A1002432	BC1500	1VR2161V1C1002888
BC1500	1VR2161V381001507		BC1500	1VR2161V8A1002447	BC1500	1VR2161V1C1002910

BC1500 AFFECTED MACHINES - IK01-3961

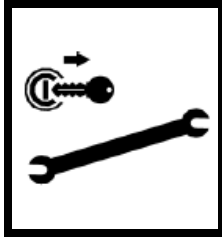
MODEL	VIN	MODEL	VIN	MODEL	VIN
BC1500	1VR2161V1C1002941	BC1500	1VR2161V2D1005252	BC1500	1VR2161V3D1005650
BC1500	1VR2161V8C1002953	BC1500	1VR2161V1D1005260	BC1500	1VR2161V4E1005657
BC1500	1VR2161V1C1002986	BC1500	1VR2161V0D1005279	BC1500	1VR2161V6E1005661
BC1500	1VR2161V1C1003006	BC1500	1VR2161V3D1005292	BC1500	1VR2161V1E1005664
BC1500	1VR2161V9C1003030	BC1500	1VR2161V0D1005296	BC1500	1VR2161V7E1005670
BC1500	1VR2161V0C1003031	BC1500	1VR2161V1D1005310	BC1500	1VR2161V2E1005673
BC1500	1VR2161V7C1003043	BC1500	1VR2161V4D1005320	BC1500	1VR2161V5E1005697
BC1500	1VR2161V9C1003058	BC1500	1VR2161V9D1005328	BC1500	1VR2161V7E1005698
BC1500	1VR2161V9C1003075	BC1500	1VR2161V7D1005358	BC1500	1VR2161V0E1005722
BC1500	1VR2161V5C1003090	BC1500	1VR2161V1D1005369	BC1500	1VR2161V0E1005736
BC1500	1VR2161V0C1003093	BC1500	1VR2161V7D1005375	BC1500	1VR2161VXE1005744
BC1500	1VR2161V9C1003108	BC1500	1VR2161V1D1005386	BC1500	1VR2161V3E1005746
BC1500	1VR2161V9C1003125	BC1500	1VR2161V1D1005405	BC1500	1VR2161V8E1005760
BC1500	1VR2161V9C1003139	BC1500	1VR2161V3D1005440	BC1500	1VR2161V9E1005766
BC1500	1VR2161V3C1005002	BC1500	1VR2161V3D1005471	BC1500	1VR2161V8E1005788
BC1500	1VR2161V5C1005017	BC1500	1VR2161V0D1005475	BC1500	1VR2161V0E1005798
BC1500	1VR2161V9C1005019	BC1500	1VR2161V6D1005478	BC1500	1VR2161V7E1005801
BC1500	1VR2161V2C1005024	BC1500	1VR2161V8D1005479	BC1500	1VR2161V0E1005851
BC1500	1VR2161V3C1005033	BC1500	1VR2161V8D1005482	BC1500	1VR2161V5E1005859
BC1500	1VR2161V9C1005036	BC1500	1VR2161VXD1005483	BC1500	1VR2161V8E1005869
BC1500	1VR2161V9C1005053	BC1500	1VR2161V9D1005491	BC1500	1VR2161V1E1005888
BC1500	1VR2161VXC1005062	BC1500	1VR2161V6D1005495	BC1500	1VR2161VXE1005890
BC1500	1VR2161V9C1005067	BC1500	1VR2161V2D1005509	BC1500	1VR2161V0E1005901
BC1500	1VR2161VXC1005076	BC1500	1VR2161V5D1005522	BC1500	1VR2161V4E1005903
BC1500	1VR2161V4D1005091	BC1500	1VR2161V1D1005548	BC1500	1VR2161V3E1005911
BC1500	1VR2161V6D1005092	BC1500	1VR2161V5D1005553	BC1500	1VR2161V6E1005918
BC1500	1VR2161V5D1005102	BC1500	1VR2161V7D1005554	BC1500	1VR2161V1E1005924
BC1500	1VR2161V1D1005114	BC1500	1VR2161V2D1005560	BC1500	1VR2161V0E1005932
BC1500	1VR2161V5D1005116	BC1500	1VR2161V7D1005568	BC1500	1VR2161V0E1005946
BC1500	1VR2161V0D1005122	BC1500	1VR2161V3D1005583	BC1500	1VR2161V9E1005959
BC1500	1VR2161V4D1005124	BC1500	1VR2161V7D1005585	BC1500	1VR2161V7E1005975
BC1500	1VR2161V9D1005135	BC1500	1VR2161V0D1005587	BC1500	1VR2161V4E1005996
BC1500	1VR2161V5D1005147	BC1500	1VR2161V4D1005592	BC1500	1VR2161V0E1006000
BC1500	1VR2161V9D1005149	BC1500	1VR2161V8D1005594	BC1500	1VR2161VXE1006005
BC1500	1VR2161V8D1005157	BC1500	1VR2161V5D1005598	BC1500	1VR2161V7E1006012
BC1500	1VR2161V0D1005170	BC1500	1VR2161V1D1005615	BC1500	1VR2161V8E1006018
BC1500	1VR2161V5D1005178	BC1500	1VR2161V8D1005627	BC1500	1VR2161V3E1006024
BC1500	1VR2161V6D1005190	BC1500	1VR2161V1D1005632	BC1500	1VR2161V5E1006025
BC1500	1VR2161V7D1005196	BC1500	1VR2161V2D1005641	BC1500	1VR2161V2E1006029
BC1500	1VR2161V6D1005206	BC1500	1VR2161V8D1005644	BC1500	1VR2161VXE1006036
BC1500	1VR2161V1D1005209	BC1500	1VR2161VXD1005645	BC1500	1VR2161V3E1006041
BC1500	1VR2161V1D1005243	BC1500	1VR2161V1D1005646	BC1500	1VR2161V9E1006058

BC1500 AFFECTED MACHINES - IK01-3961

MODEL	VIN	MODEL	VIN	MODEL	VIN
BC1500	1VR2161V1E1006085	BC1500	1VR2161V0F1006466	BC1500	1VR2161V3G1006771
BC1500	1VR2161V9E1006092	BC1500	1VR2161V4F1006468	BC1500	1VR2161V9G1006788
BC1500	1VR2161V0E1006112	BC1500	1VR2161V4F1006471	BC1500	1VR2161V6G1006795
BC1500	1VR2161V5E1006123	BC1500	1VR2161V1F1006475	BC1500	1VR2161V3G1006804
BC1500	1VR2161V2E1006127	BC1500	1VR2161V3F1006476	BC1500	1VR2161V7G1006806
BC1500	1VR2161V4E1006128	BC1500	1VR2161V4F1006485	BC1500	1VR2181V9G1008004
BC1500	1VR2161V9E1006139	BC1500	1VR2161V6F1006486	BC1500	1VR2181V0G1008005
BC1500	1VR2161V5E1006140	BC1500	1VR2161V8F1006490	BC1500	1VR2181V8G1008009
BC1500	1VR2161V7E1006141	BC1500	1VR2161V0F1006497	BC1500	1VR2181VXG1008030
BC1500	1VR2161V2E1006144	BC1500	1VR2161V7F1006514	BC1500	1VR2181V3G1008032
BC1500	1VR2161V8E1006150	BC1500	1VR2161V8F1006523	BC1500	1VR2181V4G1008038
BC1500	1VR2161V9E1006156	BC1500	1VR2161V5F1006527	BC1500	1VR2181V6G1008042
BC1500	1VR2161V8E1006195	BC1500	1VR2161V7F1006531	BC1500	1VR2181VXG1008044
BC1500	1VR2161V5E1006199	BC1500	1VR2161V8F1006537	BC1500	1VR2181V7G1008051
BC1500	1VR2161V1E1006216	BC1500	1VR2161V5F1006544	BC1500	1VR2181V0G1008070
BC1500	1VR2161V3E1006220	BC1500	1VR2161V2F1006548	BC1500	1VR2181VXG1008075
BC1500	1VR2161V3F1006235	BC1500	1VR2161V5F1006558	BC1500	1VR2181V8G1008088
BC1500	1VR2161V0F1006239	BC1500	1VR2161V2F1006579	BC1500	1VR2181V3G1008094
BC1500	1VR2161V9F1006241	BC1500	1VR2161V0F1006581	BC1500	1VR2181V5G1008095
BC1500	1VR2161V9F1006255	BC1500	1VR2161V4F1006583	BC1500	1VR2181V1G1008109
BC1500	1VR2161V2F1006260	BC1500	1VR2161V1F1006587	BC1500	1VR2181V8G1008110
BC1500	1VR2161V2F1006274	BC1500	1VR2161V4F1006616	BC1500	1VR2181VXG1008111
BC1500	1VR2161V5F1006317	BC1500	1VR2161V5F1006625	BC1500	1VR2181V1G1008112
BC1500	1VR2161V5F1006334	BC1500	1VR2161V0F1006628	BC1500	1VR2181V7G1008115
BC1500	1VR2161V5F1006348	BC1500	1VR2161V3F1006641	BC1500	1VR2181VXG1008142
BC1500	1VR2161V7F1006352	BC1500	1VR2161V7F1006643	BC1500	1VR2181V5G1008145
BC1500	1VR2161V2F1006372	BC1500	1VR2161V9F1006644	BC1500	1VR2181V3G1008158
BC1500	1VR2161V1F1006377	BC1500	1VR2161V2F1006663	BC1500	1VR2181V3G1008161
BC1500	1VR2161V7F1006383	BC1500	1VR2161V8F1006666	BC1500	1VR2181V4G1008184
BC1500	1VR2161V4F1006390	BC1500	1VR2161VXF1006667	BC1500	1VR2181V8G1008186
BC1500	1VR2161V3F1006395	BC1500	1VR2161V0F1006676	BC1500	1VR2181V9G1008200
BC1500	1VR2161V9F1006398	BC1500	1VR2161V6F1006679	BC1500	1VR2181V3G1008211
BC1500	1VR2161V3F1006400	BC1500	1VR2161V5F1006687	BC1500	1VR2161V2G1008219
BC1500	1VR2161V5F1006401	BC1500	1VR2161V5F1006690	BC1500	1VR2161V4G1008223
BC1500	1VR2161V5F1006415	BC1500	1VR2161V7G1006708	BC1500	1VR2181V2G1008233
BC1500	1VR2161V3F1006428	BC1500	1VR2161V9G1006709	BC1500	1VR2181V4G1008234
BC1500	1VR2161V5F1006446	BC1500	1VR2161V2G1006714	BC1500	1VR2181V5G1008243
BC1500	1VR2161V7F1006447	BC1500	1VR2161V4G1006729	BC1500	1VR2181V7G1008258
BC1500	1VR2161V8F1006456	BC1500	1VR2161V0G1006730	BC1500	1VR2181V7G1008275
BC1500	1VR2161VXF1006457	BC1500	1VR2161V2G1006731	BC1500	1VR2181V9G1008276
BC1500	1VR2161V1F1006458	BC1500	1VR2161V6G1006747	BC1500	1VR2181V7G1008292
BC1500	1VR2161VXF1006460	BC1500	1VR2161V8G1006765	BC1500	1VR2181V0G1008294

BC1500 AFFECTED MACHINES - IK01-3961

MODEL	VIN	MODEL	VIN	MODEL	VIN
BC1500	1VR2161V7G1008300	BC1500	1VR2181V6H1008401	BC1500	1VR2162V7H1008507
BC1500	1VR2181V9G1008309	BC1500	1VR2181V9H1008411	BC1500	1VR2162V9H1008508
BC1500	1VR2181V0G1008313	BC1500	1VR2181V1H1008421	BC1500	1VR2161V0H1008592
BC1500	1VR2181V8H1008318	BC1500	1VR2181V4H1008431	BC1500	1VR2181VXH1008692
BC1500	1VR2181V6H1008320	BC1500	1VR2181V6H1008432	BC1500	1VR2181V3H1008727
BC1500	1VR2181V2H1008329	BC1500	1VR2181V1H1008435	BC1500	1VR2181V2J1008854
BC1500	1VR2181V6H1008334	BC1500	1VR2181V0H1008443	BC1500	1VR2181V6J1008856
BC1500	1VR2181VXH1008336	BC1500	1VR2181V4H1008445	BC1500	1VR2181V1K1009396
BC1500	1VR2181V5H1008342	BC1500	1VR2181V1H1008449	BC1500	1VR2181V9K1009551
BC1500	1VR2161V0H1008348	BC1500	1VR2181V1H1008452	BC1500	1VR2181V8K1009587
BC1500	1VR2161V2H1008349	BC1500	1VR2181V0H1008457	BC1500	1VR2181V6K1009670
BC1500	1VR2181V1H1008371	BC1500	1VR2181V8H1008464	BC1500	1VR2181V5K1009708
BC1500	1VR2181V0H1008376	BC1500	1VR2181V1H1008466	BC1500	1VR2181V0L1009973
BC1500	1VR2181V4H1008378	BC1500	1VR2181V3H1008467	BC1500	1VR2181V8L1011020
BC1500	1VR2181V6H1008379	BC1500	1VR2181V5H1008468	BC1500	1VR2181VXL1011021
BC1500	1VR2161VXH1008387	BC1500	1VR2181V7H1008469	BC1500	1VR2181V7L1011039
BC1500	1VR2161V1H1008388	BC1500	1VR2181VXH1008479		
BC1500	1VR2181V1H1008399	BC1500	1VR2181V7H1008486		



WARNING: Failure to use shutdown procedure can result in unexpected hazard(s). Death or serious injury could result due to entanglement, crushing, cutting, or other hazardous contact. Follow Shutdown Procedure after operating, before performing any service or maintenance, and before transporting.

Shutdown Procedure BC1000XL

A variation of this procedure may be used if so instructed within this manual, or if an emergency requires it.

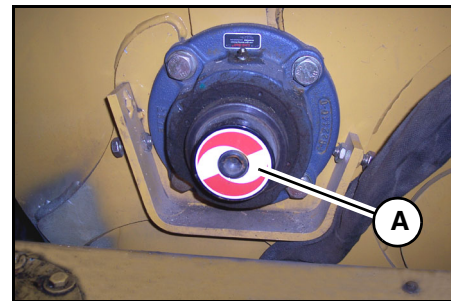
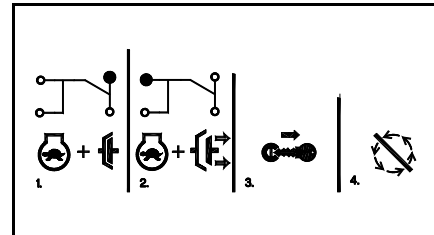
1. Return *Upper Feed Control Bar* to top STOP position.
2. Place *Throttle/Clutch Lever* to LOW idle engaged position.

NOTICE: Whenever practical and safe, allow engine to idle for 1 to 5 minutes before shutting down after operating at full power. Please consult machine's engine manual for details.

3. Wait for cutter drum to slow.
4. Place *Cutter Engage/Throttle Lever* in the DISENGAGED/LOW position.
5. If so equipped, shut off remote control if in use.
6. Turn ignition key to OFF position.
7. Wait for the cutter drum and belt to stop.

NOTICE: Cutter drum rotation can be checked by looking at the end of the shaft (A) on the left side of the cutter wheel housing. The cutter drum will continue to turn for a short time after the engine has stopped.

8. Remove ignition key.
9. Close and latch feed table.



Shutdown Procedure BC1200XL

A variation of this procedure may be used if so instructed within this manual, or if an emergency requires it.

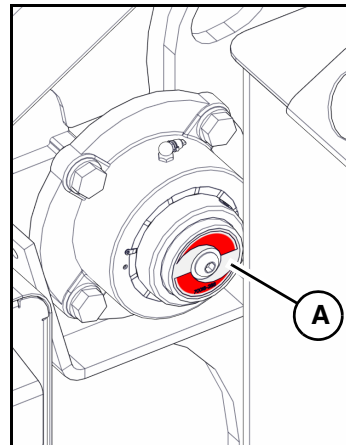
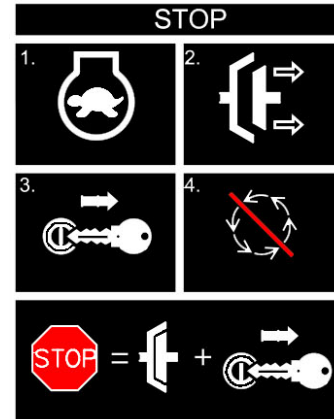
1. Return *Upper Feed Control Bar* to top STOP position.
2. Move *Cutter Engage/Throttle Lever* to ENGAGED/LOW RPM position.

Whenever practical and safe, allow engine to idle for 1 to 5 minutes before shutting down after operating at full power. Please consult machine's engine manual for details.

3. Wait for cutter drum to slow.
4. Move *Cutter Engage/Throttle Lever* to DISENGAGED/LOW RPM position.
5. If so equipped, shut off remote if in use.
6. Turn ignition key to OFF position.
7. Wait for cutter drum to stop.

Cutter drum rotation can be checked by looking at the end of the shaft (A) on left side of the cutter drum housing. The cutter drum will continue to turn for a short time after the engine has stopped.

8. Remove ignition key.
9. Close and latch feed table.



Shutdown Procedure BC1500

A variation of this procedure may be used if so instructed within this manual, or if an emergency requires it.

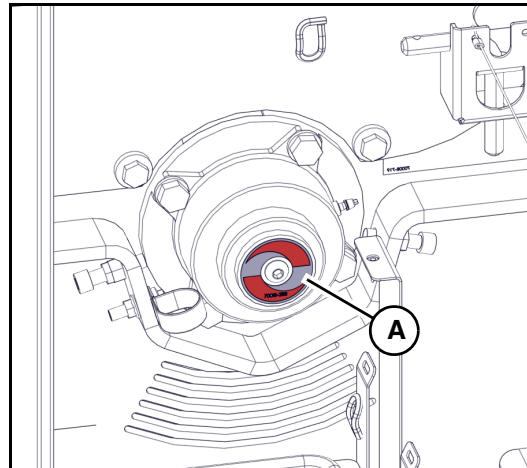
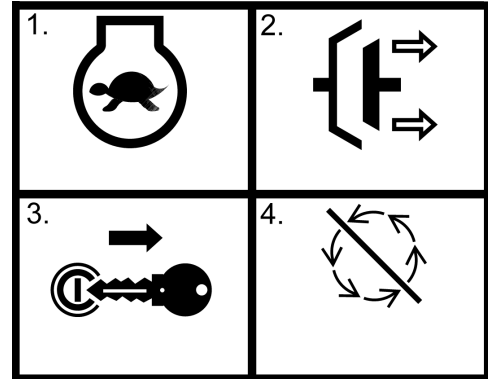
1. Return *Upper Feed Control Bar* to top STOP position.
2. Place *Throttle Switch* in LOW RPM

Whenever practical and safe, allow engine to idle for 1 to 5 minutes before shutting down after operating at full power. Please consult machine's engine manual for details.

3. Wait for cutter drum to slow.
4. Move Clutch/Throttle Lever to DISENGAGED/ LOW RPM position.
5. If equipped, shut off remote if in use.
6. Shut off engine and remove key.
7. Wait for cutter drum and belt to stop.

Cutter drum rotation can be checked by looking at the end of the shaft (A) on left side of the cutter drum housing. The cutter drum will continue to turn for a short time after the engine has stopped.

8. Close and latch feed table.



Shutdown Procedure BC1800XL

A variation of this procedure may be used if so instructed within this manual, or if an emergency requires it.

1. Return *Upper Feed Control Bar* to STOP position.

2. Place *Throttle Switch* in LOW RPM

Whenever practical and safe, allow engine to idle for 1 to 5 minutes before shutting down after operating at full power. Please consult machine's engine manual for details.

3. Wait for cutter drum to slow.

4. Disengage clutch.

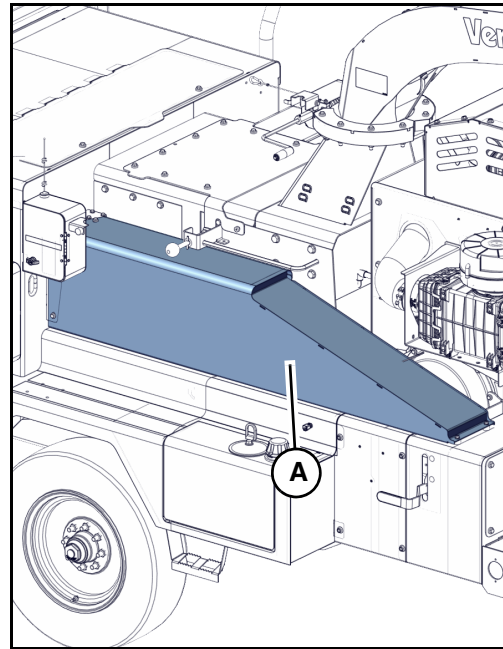
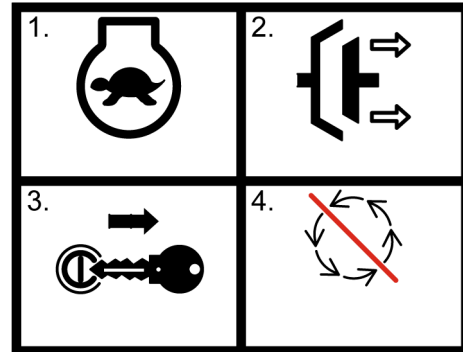
5. Shut off remote control if in use.

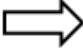
6. Shut off engine and remove key.

7. Wait for cutter drum and belt to stop.

Check that cutter drum rotation has stopped by looking to see if drive belt behind shield (A) has stopped. The cutter drum will continue to turn for a short time after the engine has stopped.

8. Close and latch feed table.

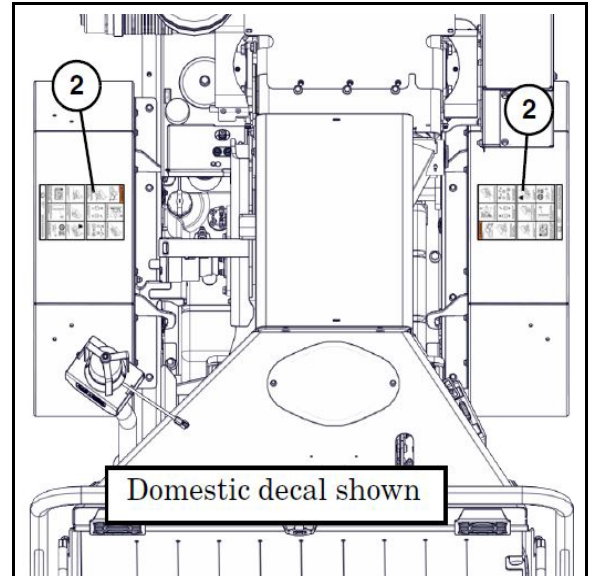


 Unless indicated, new parts from kit have callouts with numbers. Callouts with letters indicate existing parts or general items.

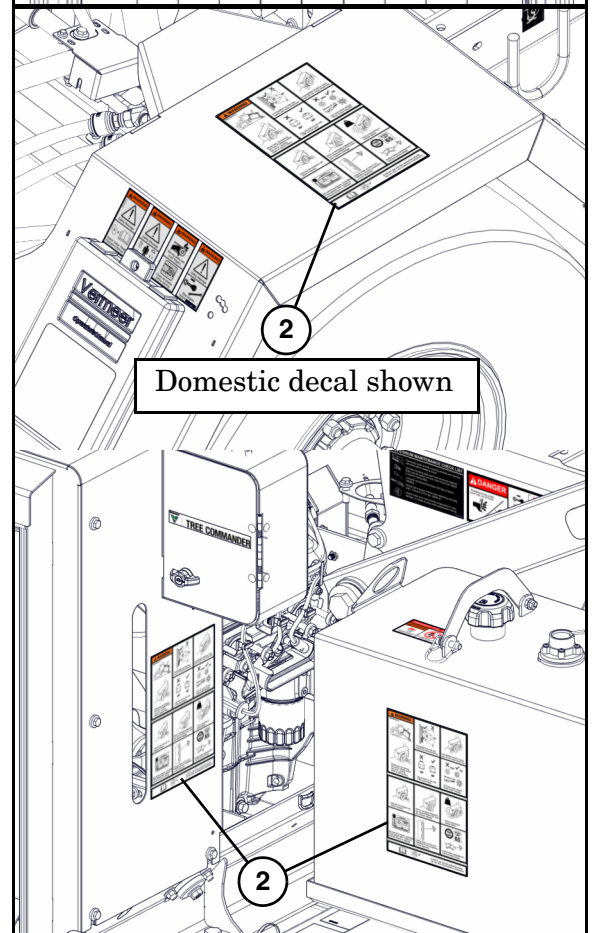
PROCEDURE: Decal Installation

1. Inspect and service wheels according to information in new supplemental manual (1) (not shown).
2. Apply new decal (2) to both sides of machine as shown in the following illustrations.

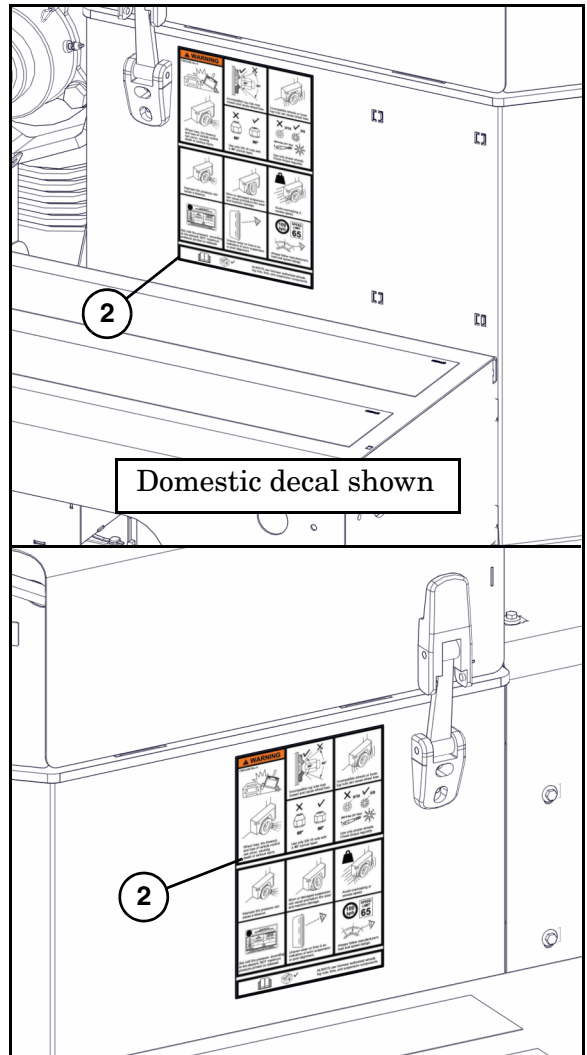
- BC1000XL
 - Left side - fender
 - Right side - fender



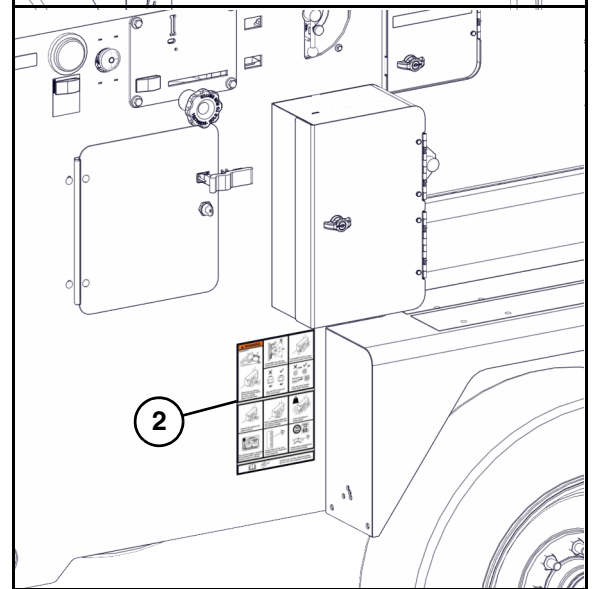
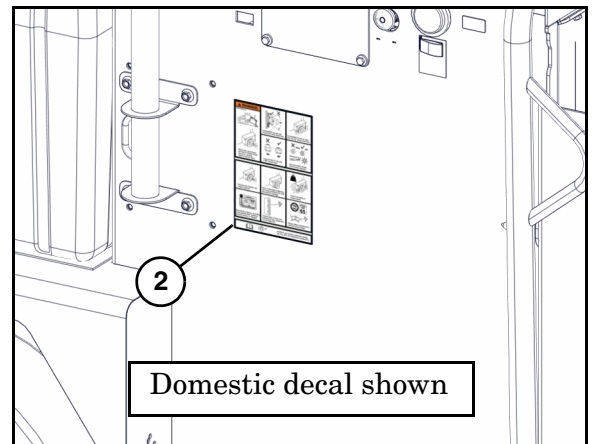
- BC1200XL
 - Right side - fender
 - Left side - fuel tank if metal. If fuel tank is plastic install to back side of engine enclosure



- BC1500
 - Left side - infeed housing
 - Right side - infeed housing

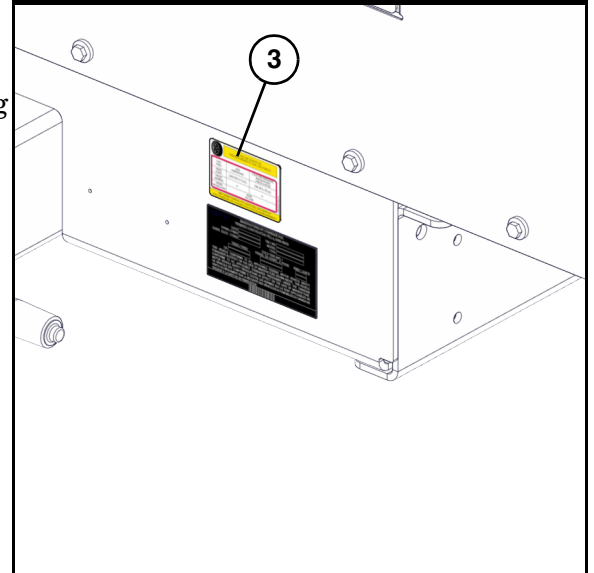


- BC1800XL
 - Left side - infeed housing
 - Right side - infeed housing

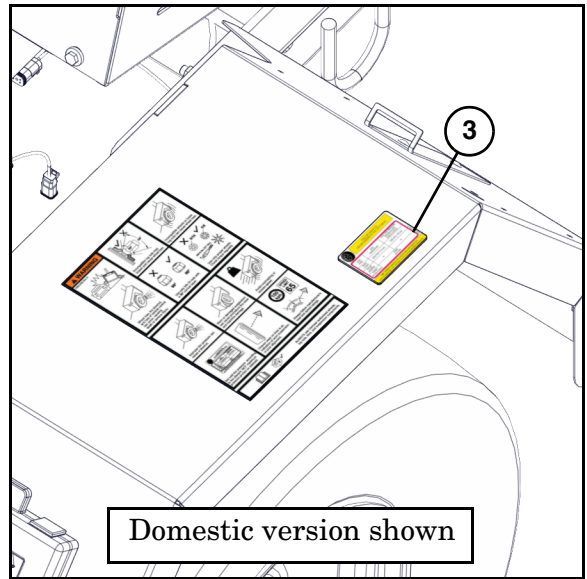


3. Apply new decal (3) to machine as shown in the following illustrations.

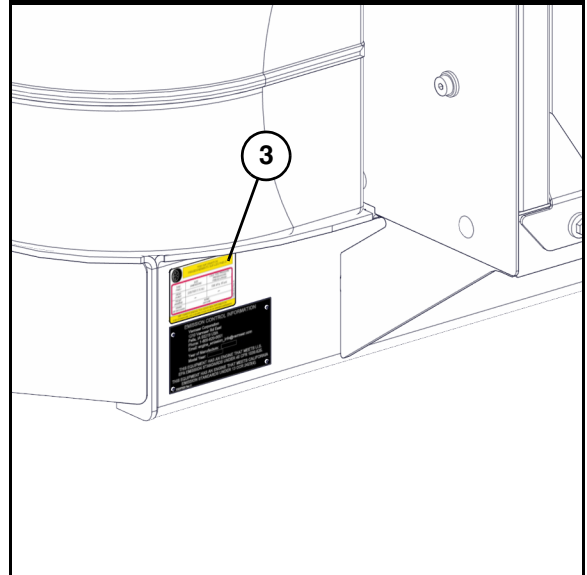
- BC1000XL - Left front corner of frame above serial tag



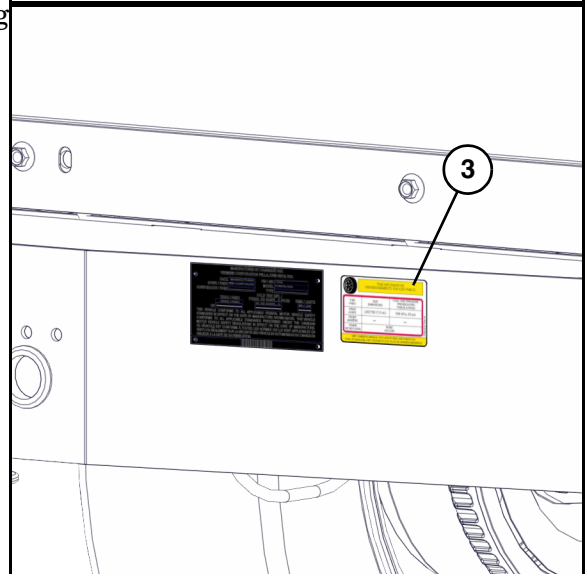
- BC1200XL - Top of right side fender



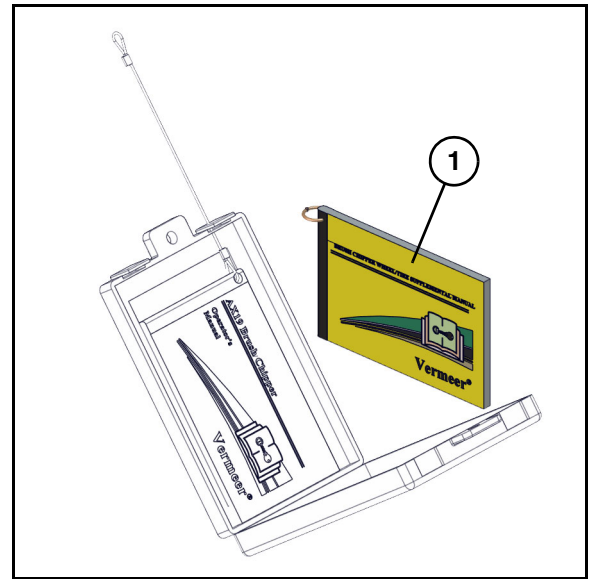
- BC1500 - Left corner of frame above serial tag



- BC1800XL - Left front corner of frame beside serial tag



4. Install new supplemental (1) to existing cabled operator's manual located in plastic operator's manual case.
5. Remove Figure 1 or Figure 2 and attach to invoice or place in manual storage box so unit owner can place with existing Parts Manual.



UNIT OWNER COPY:
Insert into Parts Manual
for future reference

Figure 1

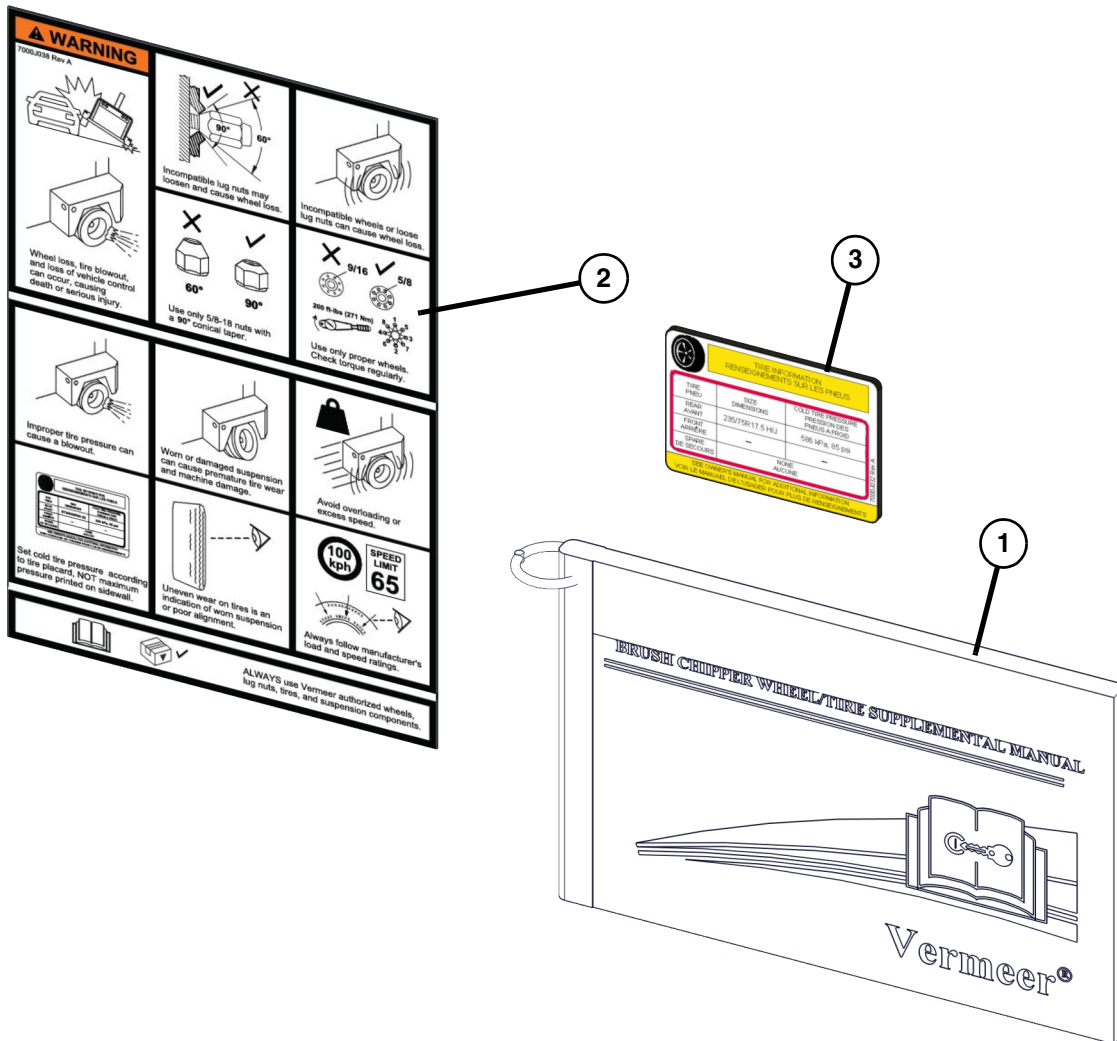


FIGURE 1 Parts List

REF. NO.	PART NO.	DESCRIPTION	IK01 QTY.
1	163802006	BRUSH CHIPPER WHL/TIR SUPPLIMENTAL MANUAL CABLED	1
2	7000J038	DECAL - WARNING, WHEEL & TIRE	2
3	7000J032	DECAL - TIRE INFORMATION	1
		Kit IK01 includes all items in Figure 1 Parts List.	

UNIT OWNER COPY:
 Insert into Parts Manual
 for future reference

Figure 2

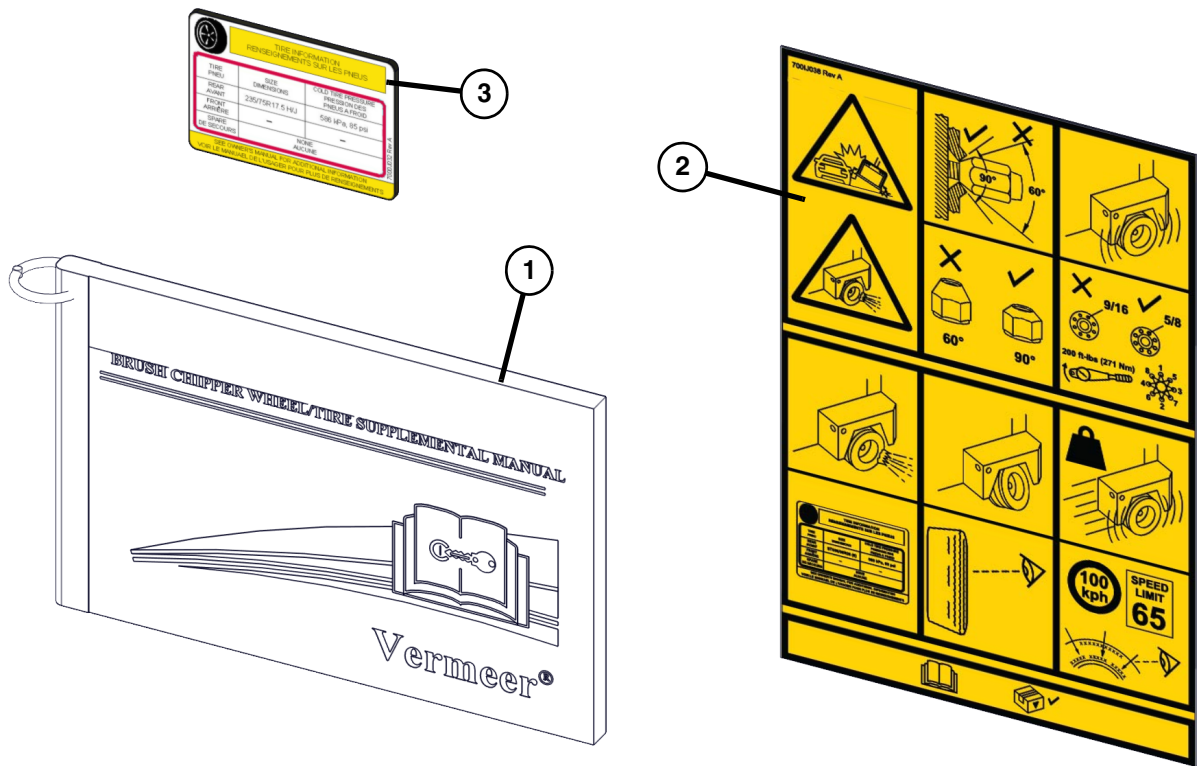


FIGURE 2 Parts List			
REF. NO.	PART NO.	DESCRIPTION	IK02 QTY.
1	163802006	BRUSH CHIPPER WHL/TIR SUPPLEMENTAL MANUAL CABLED	1
2	700IJ038	DECAL - WARNING, WHEEL & TIRE NO TEXT	2
3	7000J032	DECAL - TIRE INFORMATION	1
		Kit IK02 includes all items in Figure 2 Parts List.	