

February 11, 2020

Version 2

## Safety Recall: Third Row Accessory Power Outlet

Supersedes 20-012, Dated February 7, 2020, to revise the information highlighted in **yellow**.

### AFFECTED VEHICLES

Year	Model	Trim	VIN Range
2018-20	Odyssey	EX-L, EX-L with Navigation and RES, Touring, and Elite	Check the iN VIN status for eligibility.

### REVISION SUMMARY

The **BACKGROUND**, **CORRECTIVE ACTION**, and **PARTS INFORMATION** sections were updated.

### BACKGROUND

The routing for the third row seat accessory power outlet wiring harness may allow for pinching of the harness between the unibody and the rear trim panel. If the pinching damages and exposes the **copper** wire to the unibody, an electrical short could occur. An intermittent electrical short could overheat the wiring harness, increasing the risk of a fire.

### CUSTOMER NOTIFICATION

Owners of affected vehicles will be sent a notification of this campaign.

Do an iN VIN status inquiry to make sure the vehicle is shown as eligible.

Some vehicles affected by this campaign may be in your new or used vehicle inventory.

Failure to repair a vehicle subject to a recall or campaign may subject your dealership to claims or lawsuits from the customer or anyone else harmed as a result of such failure. To see if a vehicle in inventory is affected by this safety recall, do a VIN status inquiry before selling it.

### CORRECTIVE ACTION

Inspect the third row seat accessory power outlet branch of the wiring harness between the C-pillar trim and the third row accessory power socket connector for any damage that has exposed the copper wire. If copper wire is not exposed, wrap the branch with electrical tape, and install the new floor harness and moonroof drain tube clips. Then route the third row accessory power socket harness branch and the rear entertainment harness (if equipped) behind the floor harness and the moonroof drain tube.

If copper wire is exposed, contact Tech Line to review for possible floor harness replacement.

#### NOTE

A very small number of floor harnesses will require replacement. New harnesses will include an updated clip.

**CUSTOMER INFORMATION:**The information in this bulletin is intended for use only by skilled technicians who have the proper tools, equipment, and training to correctly and safely maintain your vehicle. These procedures should not be attempted by "do-it-yourselfers," and you should not assume this bulletin applies to your vehicle, or that your vehicle has the condition described. To determine whether this information applies, contact an authorized Honda automobile dealer.

## PARTS INFORMATION

Part Name	Part Number	Quantity
Clip Kit For Wire Harness and Moonroof Drain	32107-THR-305	1

## REQUIRED MATERIALS

Part Name	Part Number	Quantity
Electrical tape	Commercially Available	1

## SPECIAL TOOLS

Tool Name	Tool Number	Quantity
Cargo Cap Screw Socket	07AAA-SEPA100	1

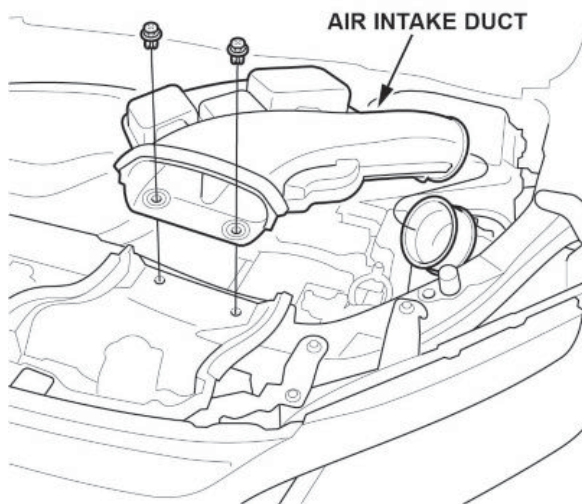
## WARRANTY CLAIM INFORMATION

Operation Number	Description	Flat Rate Time	Defect Code	Symptom Code	Template ID	Failed Part Number
7371DK	Replace the clips for routing the floor harness and moonroof drain tube.	0.6 hr	6HF00	T6U00	A20012A	32107-THR-A01

Skill Level: Repair Technician

## REPAIR PROCEDURE

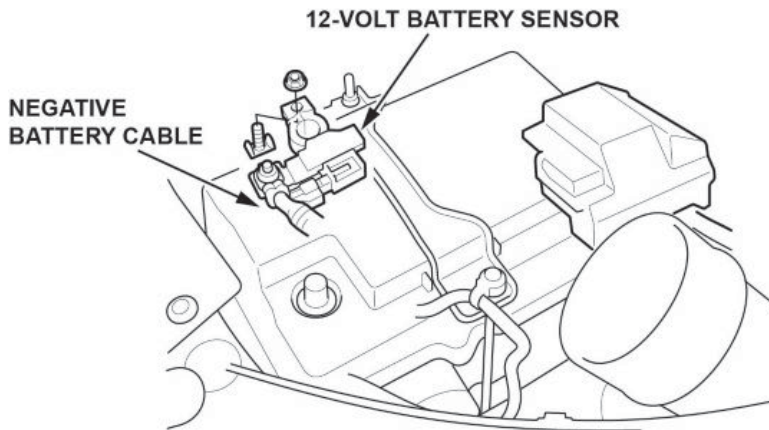
1. Open the left side power sliding door and the power tailgate.
2. Remove the air intake duct.



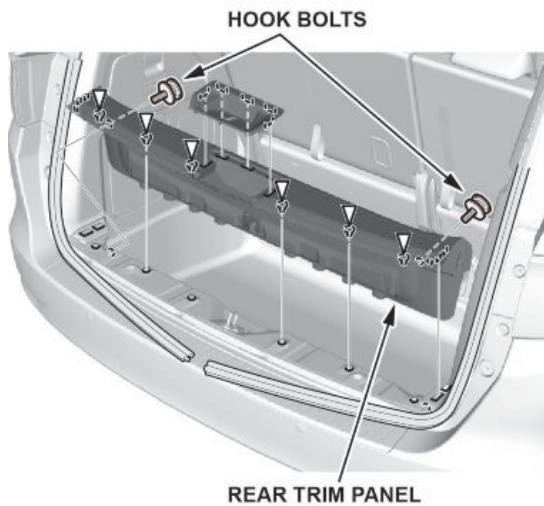
3. Disconnect the 12-volt battery.
  - 3.1. Make sure the ignition is turned to OFF.
  - 3.2. Disconnect and isolate the negative battery cable, with the 12-volt battery sensor, from the 12-volt battery.

**NOTICE**

- Always disconnect the negative terminal first.
- To protect the battery sensor connector from damage, do not hold it when removing the terminal.
- Do not disconnect the 12-volt battery sensor from the cable.

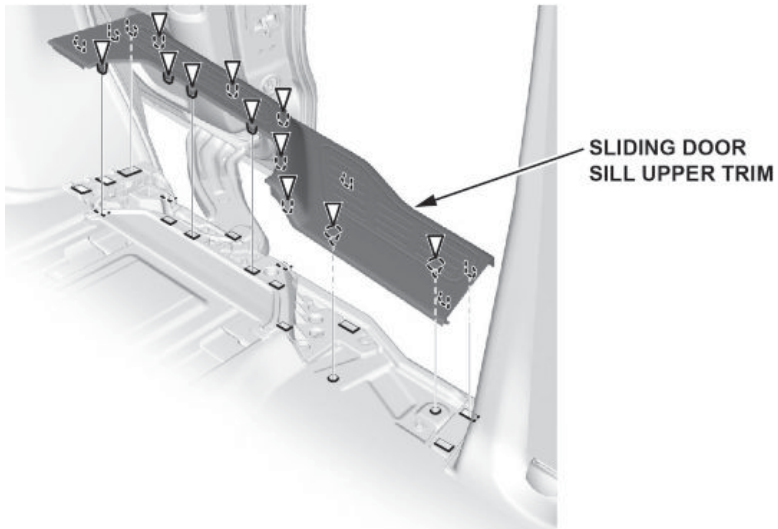


4. Remove the rear trim panel.
  - 4.1. Set the third row seats upright.

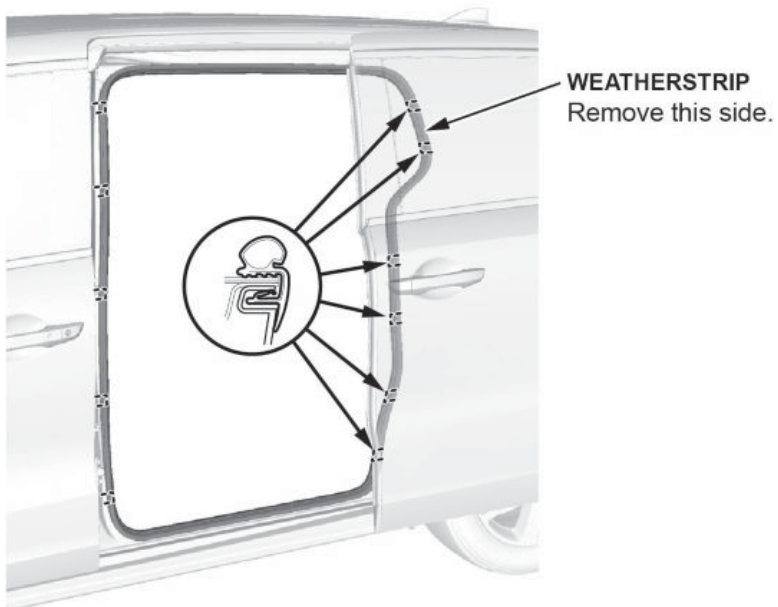


- 4.2. Remove the weatherstrip as needed.
- 4.3. Remove the rear trim panel. If necessary, use special tool 07AAA-SEPA100 to remove the hook bolts.
- 4.4. Fold down and stow the third row seats.

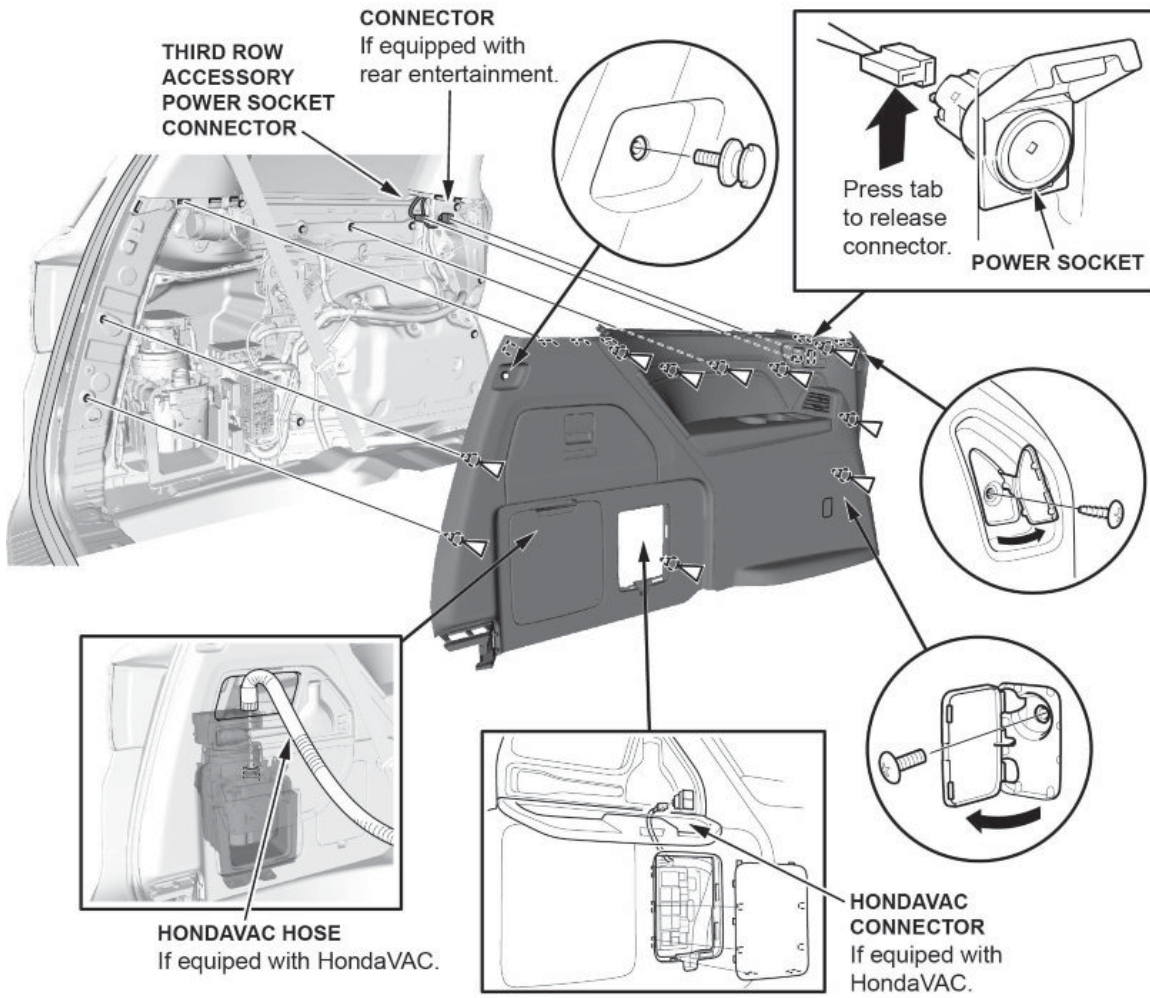
5. Remove the left sliding door sill upper trim.



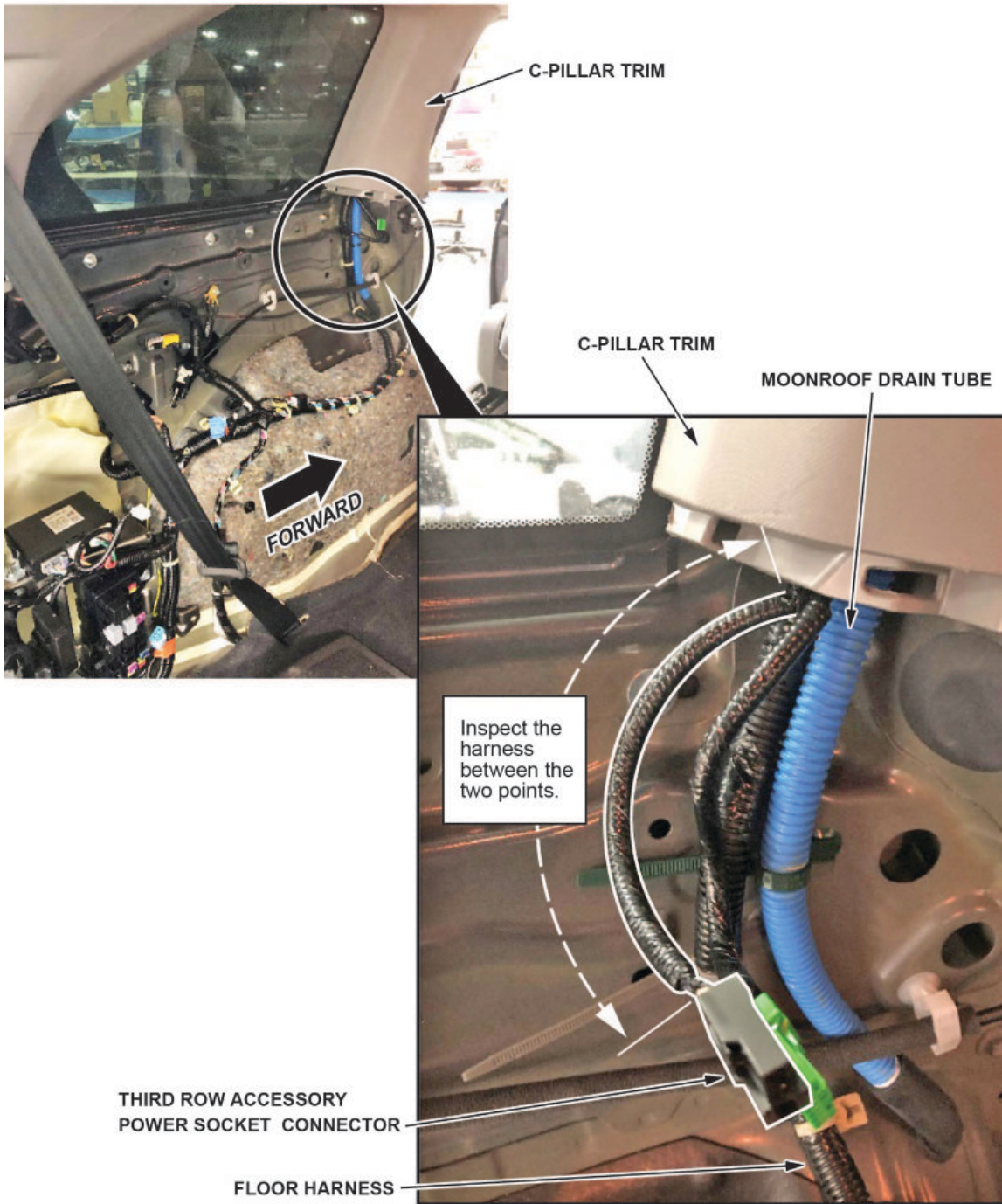
6. Remove the weatherstrip along the left rear side trim panel as needed.



7. Remove the left side rear trim panel. Disconnect the third row accessory power socket by pressing the lock that is located on the bottom of the connector to release it from the power socket. In addition, do the following if it applies to the vehicle:
- Remove the HondaVAC hose from the vacuum, and disconnect the connector.
  - Disconnect the rear entertainment connector.

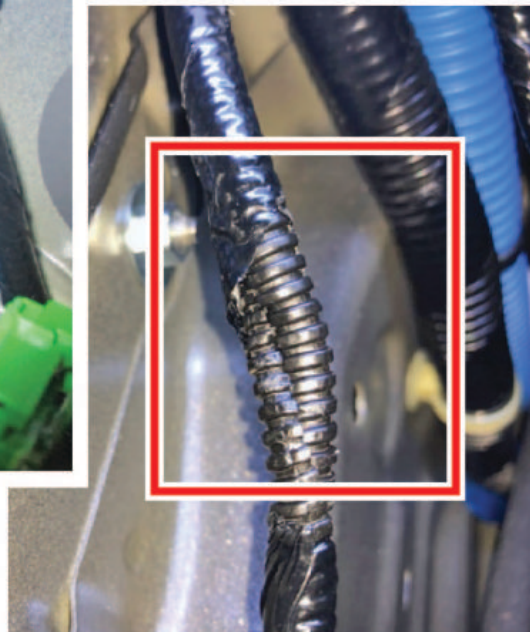
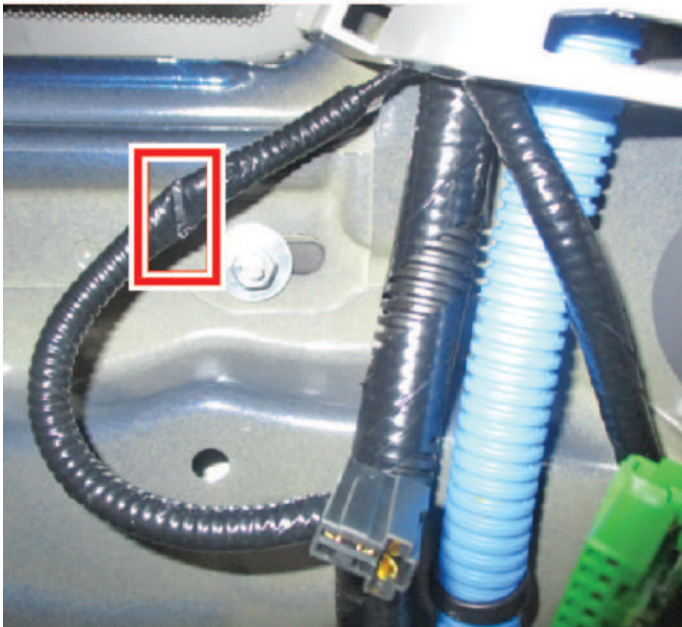
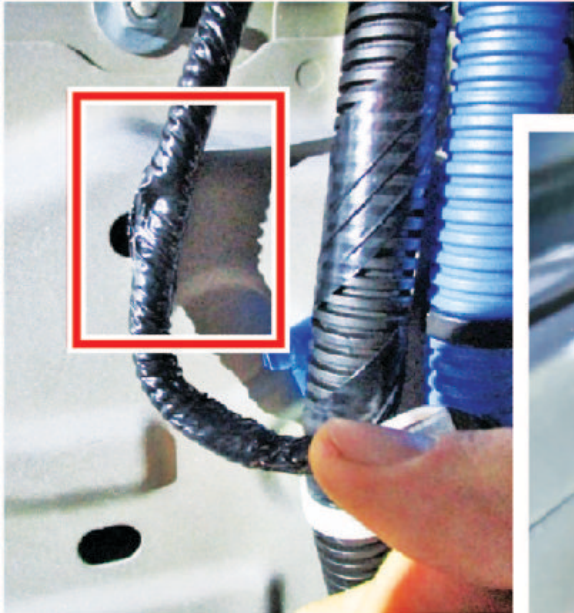


8. If the third row accessory power socket harness branch of the floor harness was improperly routed, the harness may be deformed. Inspect this part of the harness from the C-pillar trim to the third row accessory power socket connector for any exposed copper wiring. **Do not remove the electrical tape.**



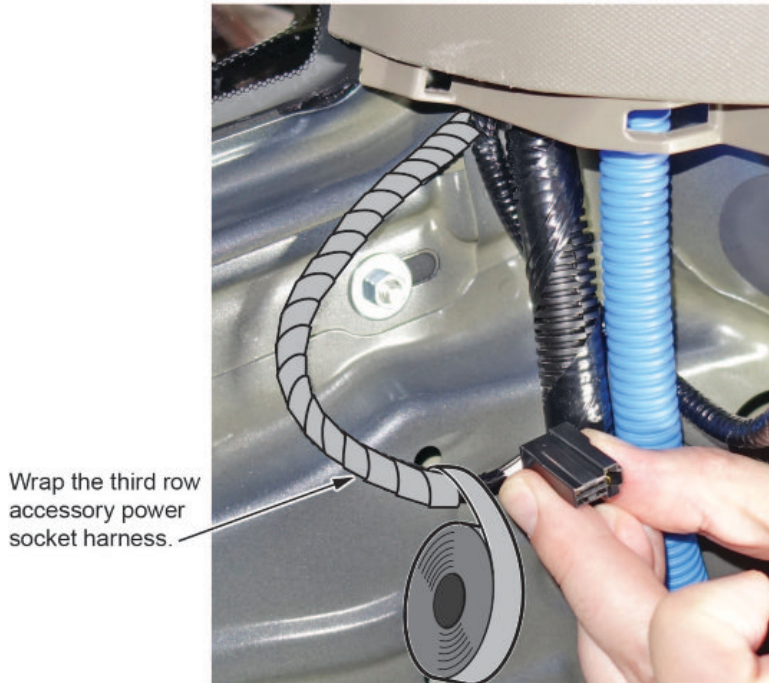
**NOTE**

Below are examples of deformation on the power socket harness branch that **do not have exposed copper wire**, which require wrapping the harness branch with electrical tape to proceed with the repair.



*Is copper wire exposed on the third row accessory power socket harness branch?*

- **NO** - Copper wire is not exposed. Wrap the third row accessory power socket harness branch from the pillar trim to the connector with electrical tape as shown, then go to step 9.



- **YES** - Copper wire is exposed. The complete floor harness may require replacement, but must be reviewed by Tech Line. Provide the following information to Tech Line before proceeding to step 9 to relocate the moonroof drain tube.

**NOTE**

American Honda expects very few floor harnesses requiring replacement.

- 8.1. Take pictures that clearly show the exposed copper wiring.
- 8.2. Take a picture of the VIN sticker in the driver side door frame.
- 8.3. Log in to the Service Information System and create a Tech Line Access Code. (**Do not call Tech Line.**)
- 8.4. Email the pictures to [part\\_release@ahm.honda.com](mailto:part_release@ahm.honda.com).
  - 8.4.1. In the subject line, enter **Odyssey Harness** and the **VIN**.
  - 8.4.2. In the email body, include the following:
    - Pictures of the exposed copper wire and VIN sticker
    - The 11-digit Tech Line Access Code
    - Technician name
    - Technician telephone number

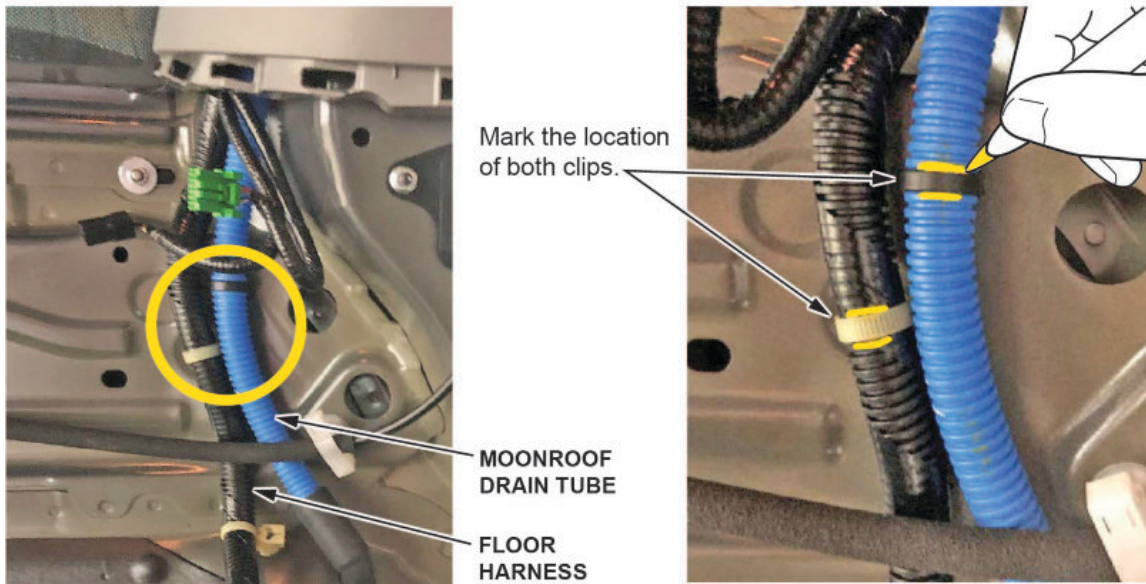
Tech Line will review the pictures and contact you with next steps using the contact information you provided.

**NOTE**

If Tech Line confirms the complete floor harness requires replacement, it is not necessary to complete steps 11, 12, and 14 to complete this repair procedure. The new floor harness will come with the new clip described in this repair procedure to relocate the harness.



9. Mark the location of the clip on the floor harness corrugated tube and the moonroof drain tube.



9.1. To make sure the new clip is placed in the proper location on the floor harness, use a paint marker to mark the top and bottom edge of the band on the floor harness as shown.

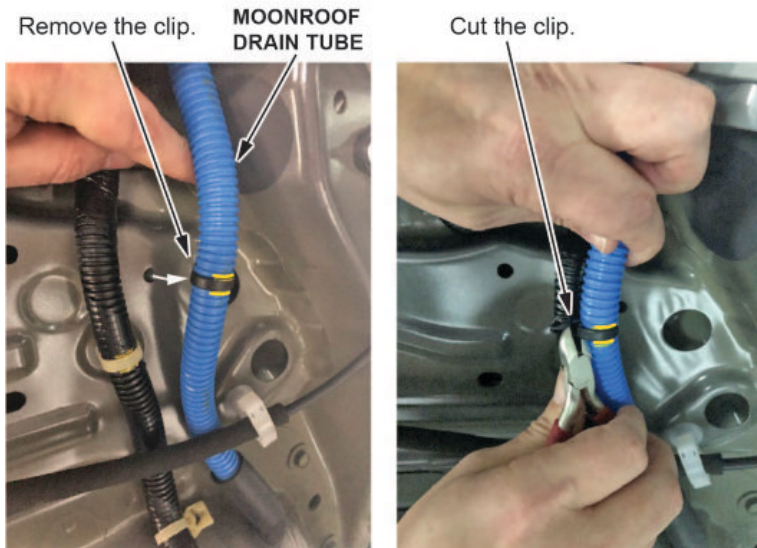
9.2. To make sure the new clip is placed in the proper location on the moonroof drain tube, use a paint marker to mark the top and bottom edge of the band on the moonroof drain tube as shown.

10. Remove the clip on the moonroof drain tube.

**NOTE**

Carefully remove the clip from the moonroof drain tube. If the drain is damaged, it must be replaced.

**MOONROOF DRAIN TUBE**



10.1. Remove the clip from the body.

10.2. Carefully cut the band with side cutters to remove the clip from the harness.

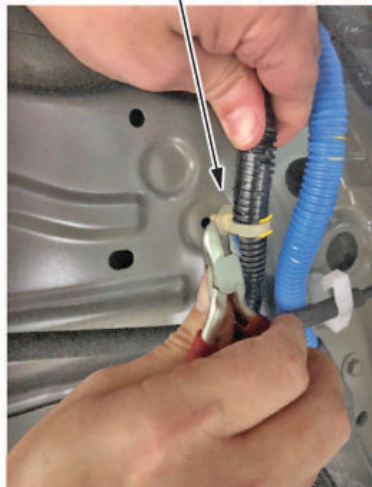
11. Remove the clip on the floor harness.

**FLOOR HARNESS**

Remove the clip. **FLOOR HARNESS**



Cut the clip.



11.1. Remove the clip from the body.

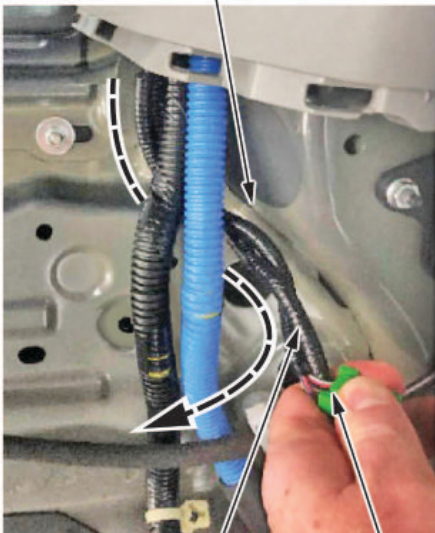
11.2. Carefully cut the band to remove the clip from the harness.

**NOTE**

Do not damage the floor harness, or you will have to replace it.

12. Route the third row accessory power socket harness branch and the rear entertainment harness (if equipped) behind the floor harness and the moonroof drain tube from the left to the right as shown.

Route the third row accessory power socket harness and the rear entertainment harness (if equipped) behind the floor harness and moonroof drain tube.

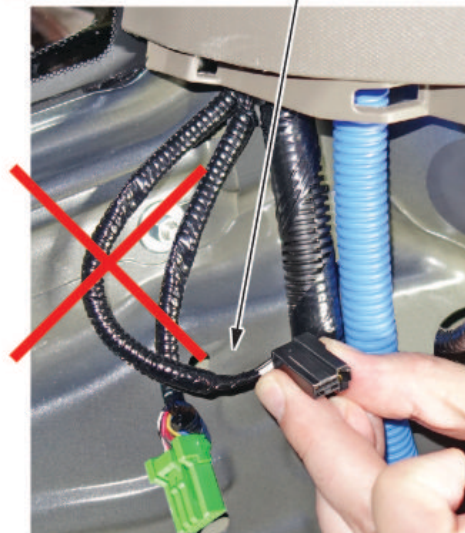


**THIRD ROW ACCESSORY POWER SOCKET HARNESS**

**REAR ENTERTAINMENT HARNESS**



**DO NOT** route the third row accessory power socket harness and the rear entertainment harness (if equipped) as shown.

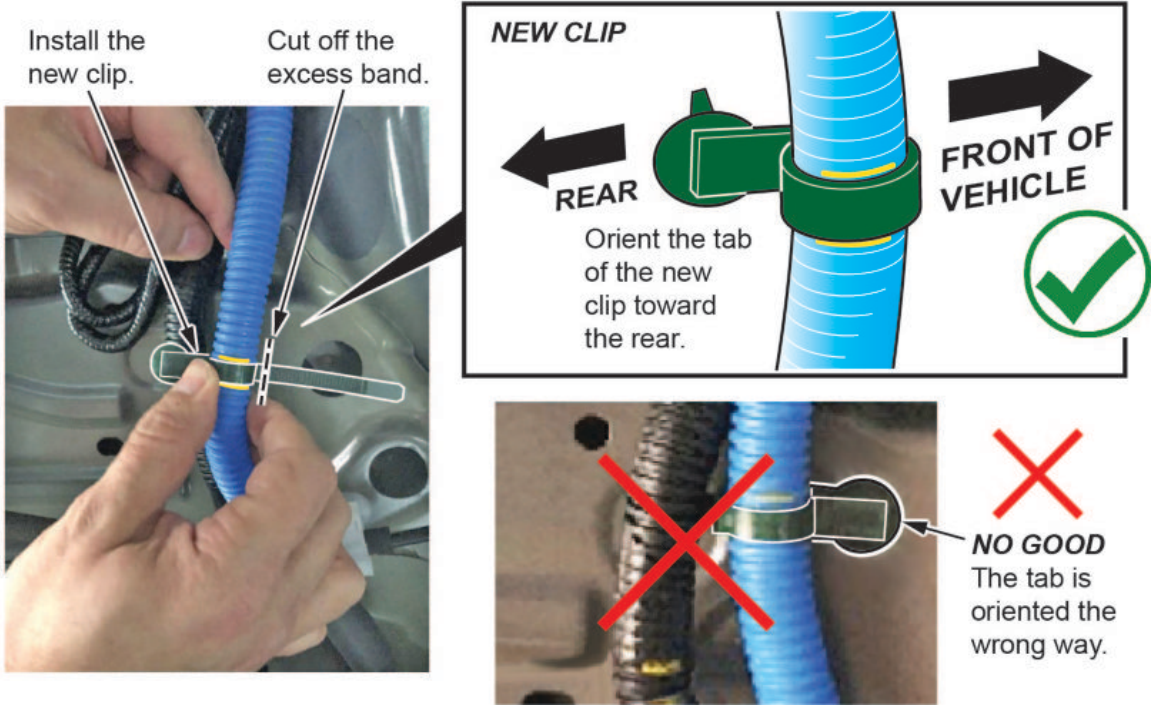


13. Install the new moonroof drain tube clip (green) into the original hole.

**NOTE**

The new clip is offset from the center. Make sure you install the clip as indicated to make sure the moonroof drain tube is routed properly.

**MOONROOF DRAIN TUBE**



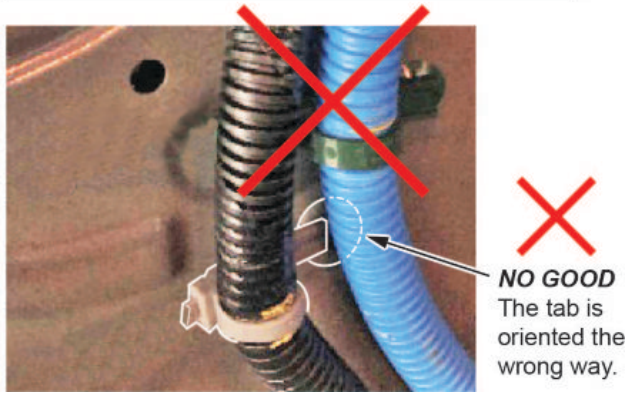
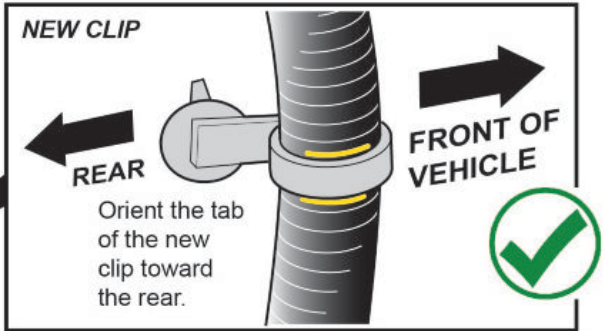
- 13.1. Install the new **green clip** toward the rear of the drain tube between the marks you made.
- 13.2. Cut off the excess band.
- 13.3. Install the clip into the original hole.

14. Install the new floor harness clip (gray) into the original hole.

**NOTE**

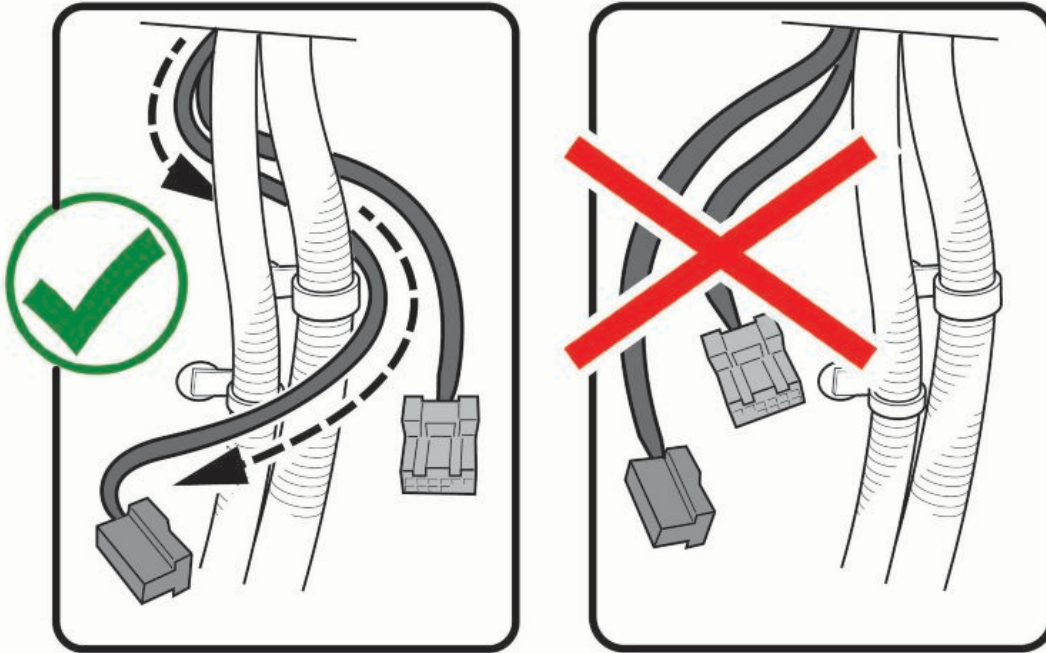
The new clip is offset from the center. Install the clip as indicated to make sure the floor harness is routed properly.

**FLOOR HARNESS**



- 14.1. Install the new **gray clip** toward the rear of the floor harness between the marks you made.
- 14.2. Cut off the excess band.
- 14.3. Install the clip into the original hole.

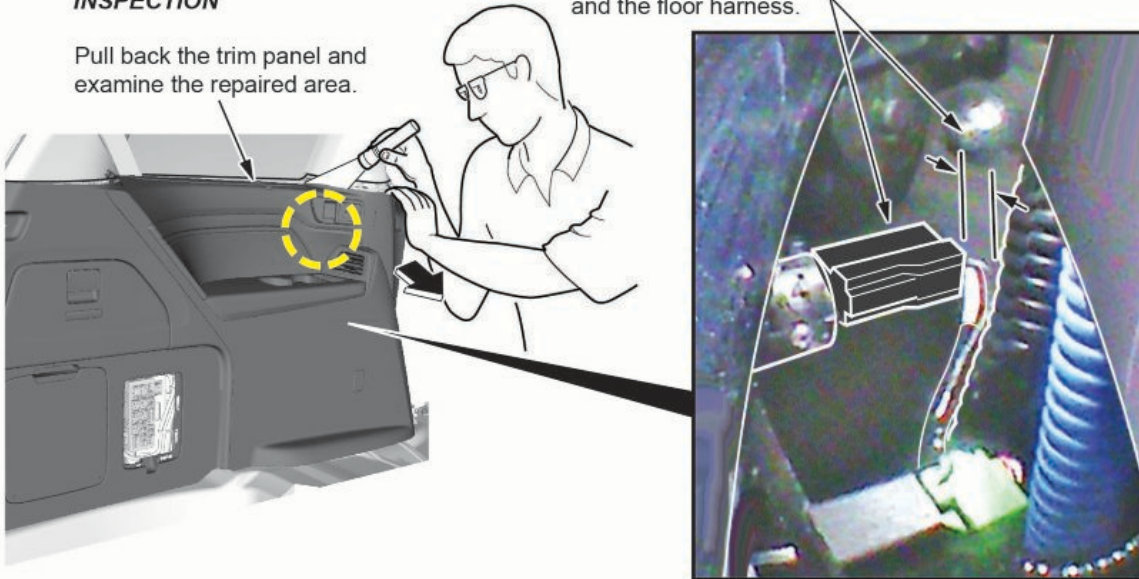
15. Install the rear trim panel and, just before setting the trim panel to the c-pillar trim, check to confirm that the new clips were installed correctly, and the third row accessory power socket connector does not interfere with the floor harness when the panel is fully set.



**THIRD ROW ACCESSORY POWER SOCKET CONNECTOR**  
Be sure there is a gap between the connector and the floor harness.

**INSPECTION**

Pull back the trim panel and examine the repaired area.



16. Install the following:

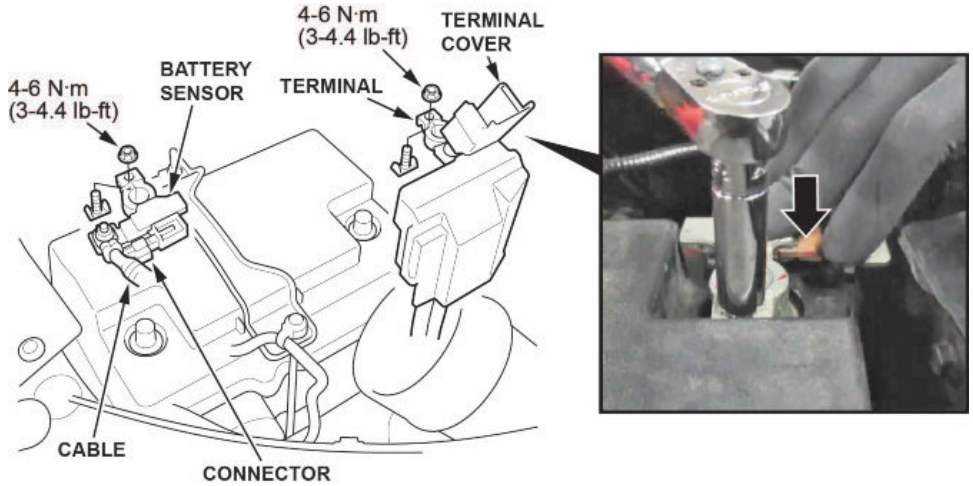
- Rear trim panel and weatherstrip
- Sliding door sill upper trim
- Sliding door weatherstrip

17. Connect the battery, and install the air intake duct.

17.1. While holding down the terminal, torque both positive and negative clamps to **4-6 N•m (35-53 lb-in)**.

**NOTES**

- Do not over torque the terminal.
- Always connect the positive side first.



17.2. Check the battery terminals are correctly attached as shown.

 GOOD



 NO GOOD



18. Turn the ignition to ON, and check that the third row accessory power socket in the third row seat works properly. If the third row power socket does not work, this bulletin does not apply. Continue with normal system troubleshooting. See S/B 20-018, *Service Manual Update: Accessory Power Socket Troubleshooting*.
19. Press and hold the audio system power button to exit the anti-theft mode.
20. Reset the power sliding door control unit.
  - 20.1. With the ignition ON, close the power sliding door manually to the fully closed position.
  - 20.2. Test the door operation with the sliding door inner/outer handles, the power sliding door switch, and the remote.

END