

TECHNICAL INSTRUCTIONS

FOR

SAFETY RECALL 20TA05

**INCOMPLETE OR NONDEPLOYMENT OF AIRBAGS AND/OR SEAT BELT
PRETENSIONERS MAY OCCUR**

CERTAIN

2011 – 2012 COROLLA

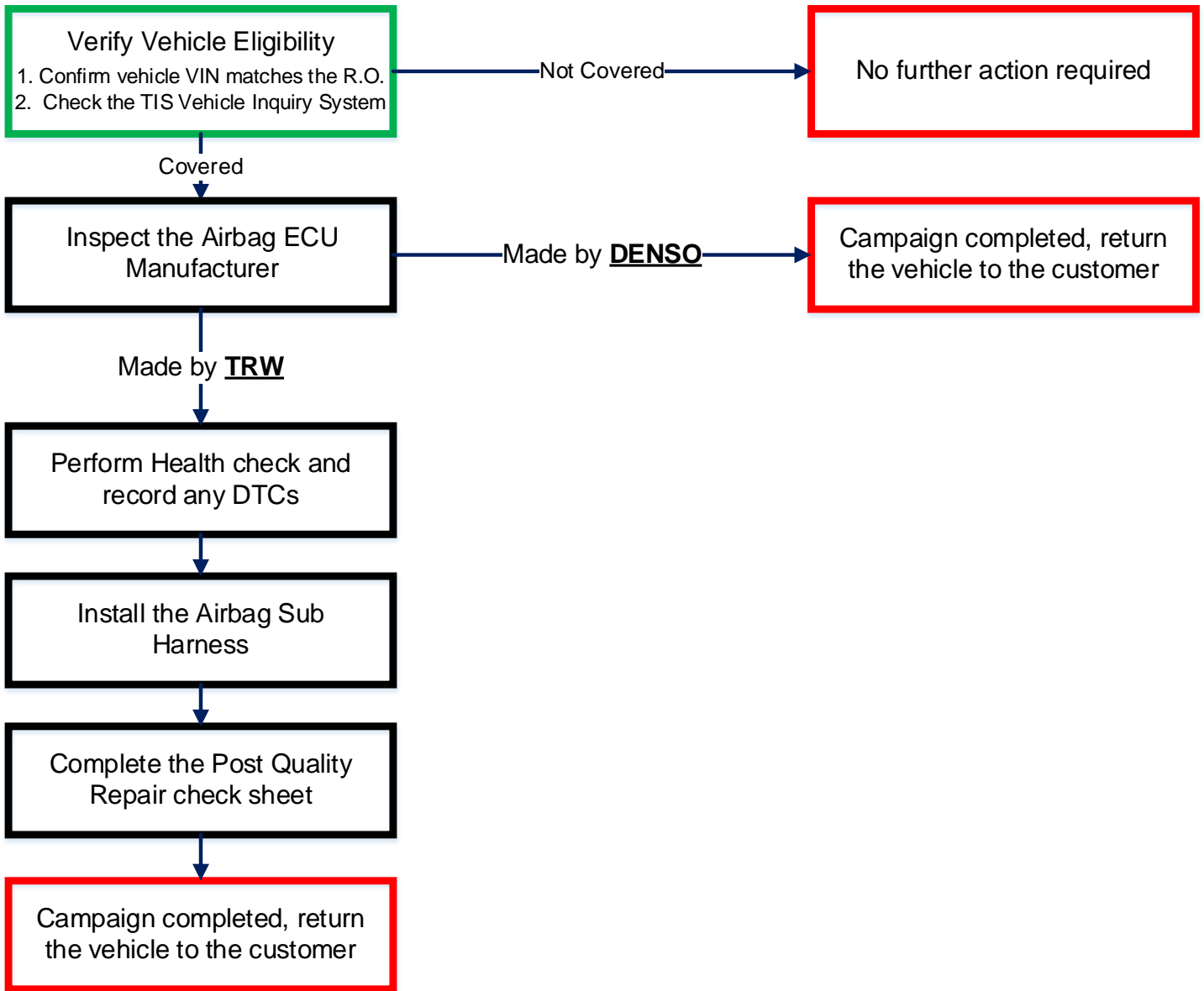
The repair quality of covered vehicles is extremely important to Toyota. All dealership technicians performing this recall are required to successfully complete the most current version of the E-Learning course "Safety Recall and Service Campaign Essentials". To ensure that all vehicles have the repair performed correctly; technicians performing this recall repair are required to currently hold at least one of the following certification levels:

- Expert (Electrical or Hybrid)
- Master
- Master Diagnostic Technician

It is the dealership's responsibility to select technicians with the above certification level or greater to perform this recall repair. Carefully review your resources, the technician skill level, and ability before assigning technicians to this repair. It is important to consider technician days off and vacation schedules to ensure there are properly trained technicians available to perform this repair at all times.

I. OPERATION FLOW CHART

The flow chart is for reference only. **DO NOT** use it in place of the full technical instructions. Follow **ALL** steps as outlined in the full technical instructions to confirm the campaign is completed correctly.



II. IDENTIFICATION OF AFFECTED VEHICLES

A. COVERED VIN RANGE

NOTE:

- Check the TIS Vehicle Inquiry System to confirm the VIN is involved in this Safety Recall, and that the campaign has not already been completed prior to dealer shipment or by another dealer.
- TMNA warranty will not reimburse dealers for repairs conducted on vehicles that are not affected or were completed by another dealer.

III. PREPARATION

A. PARTS

| Part Number | Part Description | Quantity |
|-----------------------------------------------|-----------------------------------------------------------|----------|
| 04009-98112 | Airbag Harness Kit* | 1 |
| * The kit above includes the following parts: | | |
| Part Number | Part Description | Quantity |
| 82821-12C30 | Urethane Sheet | 1 |
| 89171-12020 | Airbag Sub Harness | 1 |
| 89279-12180 | Water Guard Sheet 5.91in. (150mm) x 5.91in.(150mm) | 1 |
| 89279-12190 | Water Guard Sheet 4.72in. (120mm) x 5.91in. (150mm) | 1 |
| 89279-12200 | Water Guard Sheet 3.15in. (80mm) x 3.94in.(100mm) | 1 |
| 89639-12020** | Cable Tie | 7 |
| 90980-12878 | Connector Holder | 1 |

**: NOT required to use all the cable ties.

B. TOOLS & EQUIPMENT

- Standard Hand Tools
- Techstream
- Work Gloves
- Molding Remover


C. MATERIALS

- Protective Tape
- Marker pen
- Vinyl Tape


IV. WORK PROCEDURE TABLE OF CONTENTS

| | |
|----------------------------------------|---------------|
| SAFETY PRECAUTIONS | SECTION V. |
| INSPECTION OF AIRBAG MANUFACTURER..... | SECTION VI. |
| INSTALL AIRBAG SUB HARNESS..... | SECTION VII. |
| APPENDIX | SECTION VIII. |

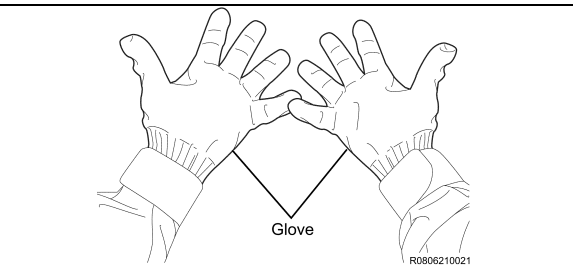
V. SAFETY PRECAUTIONS



CRITICAL INFORMATION – READ THOROUGHLY



Always remember **“SAFETY FIRST”**.



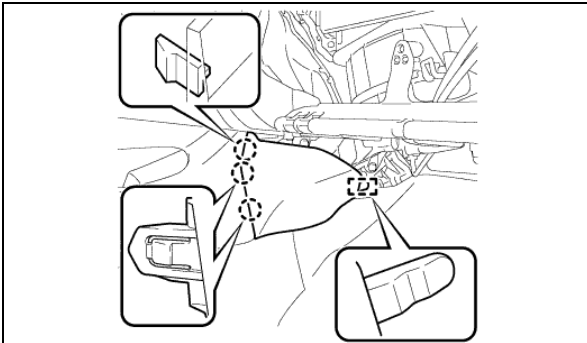
1. TAKE PREVENTIVE MEASURES AGAINST INJURY
 - a) Wear gloves so as not to get injured by burrs etc. on the instrument panel reinforcement and the bracket.

VI. INSPECTION OF AIRBAG SENSOR MANUFACTURER

The center airbag sensor equipped on the affected vehicles is made by either TRW or DENSO. Check the manufacturer of the center airbag sensor equipped on the vehicle, and if the manufacturer is TRW continue following the instructions to install the airbag sub harness.



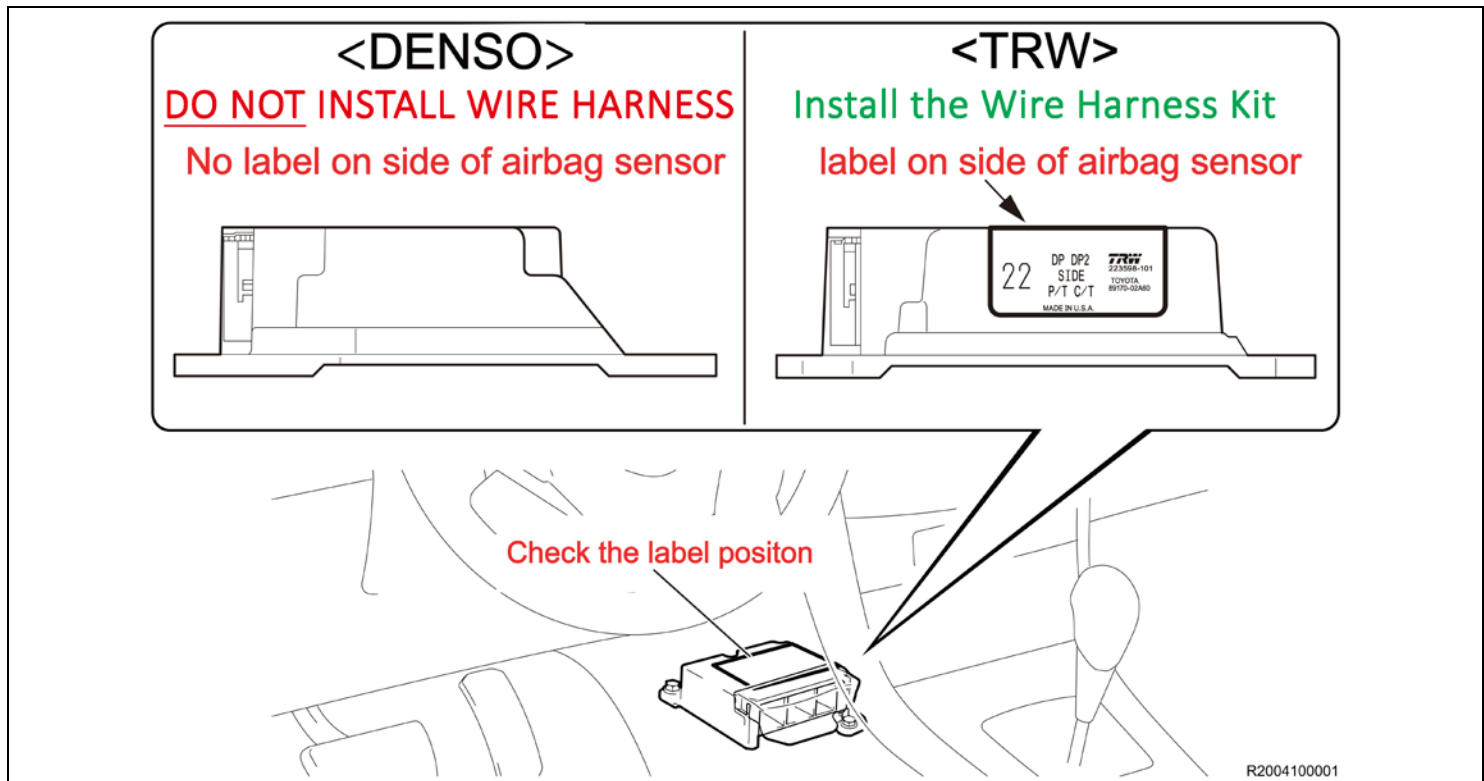
IF AN AIRBAG SUB HARNESS IS INSTALLED ON THE CENTER AIRBAG SENSOR MADE BY DENSO, THE AIRBAG MAY NOT DEPLOY PROPERLY. IT IS CRITICAL THIS INSPECTION IS DONE PROPERLY



1. INSPECTION OF CENTER AIRBAG SENSOR MANUFACTURER

- Disengage the 3 claws.
- Disengage the guide and remove the front No. 2 console box insert.

- Judge whether it is made by TRW or DENSO based on the label position of the center airbag sensor. If it is made by TRW, install the airbag sub harness to the vehicle according to these technical instruction.



| Inspection Results | Required Process | Action |
|-------------------------|-------------------------------------------|---------------------------------------------------------------------------------------------------|
| Label on side of ECU | Install New Wire Harness | Installation of the airbag sub harness required. Go to next page |
| No Label on Side of ECU | <u>DO NOT INSTALL WIRE HARNESS</u> | Go to next page to upload inspection photo, reassemble the vehicle and return it to the customer. |

TRW Wire Harness Repair

Dealer Code:

Password:

LOGIN

2. INSPECTION RESULTS SUBMISSION

a. Login to the website below to complete the Inspection Results Submission

URL: <https://toyota-trw.imagespm.info/>

Login Credentials

Username: Dealer code
 Password (1st time login): XXXXX

If you have any issues with the website contact Quality_Compliance@toyota.com for assistance.

Enter technician info.

Technician Name:

SPIN ID:

Certification Level:

Toyota Expert (Electrical)

NEXT

b. Enter the following information into the site

Technician Name
 Spin ID
 Select your current Toyota certification

c. Enter the VIN into the website
 d. Upload a picture of the ECU side label as instructed on the website.

STOP The picture you take **MUST MATCH** the angle of image shown below
 A photo must be submitted for **ALL ECUs** regardless of inspection results

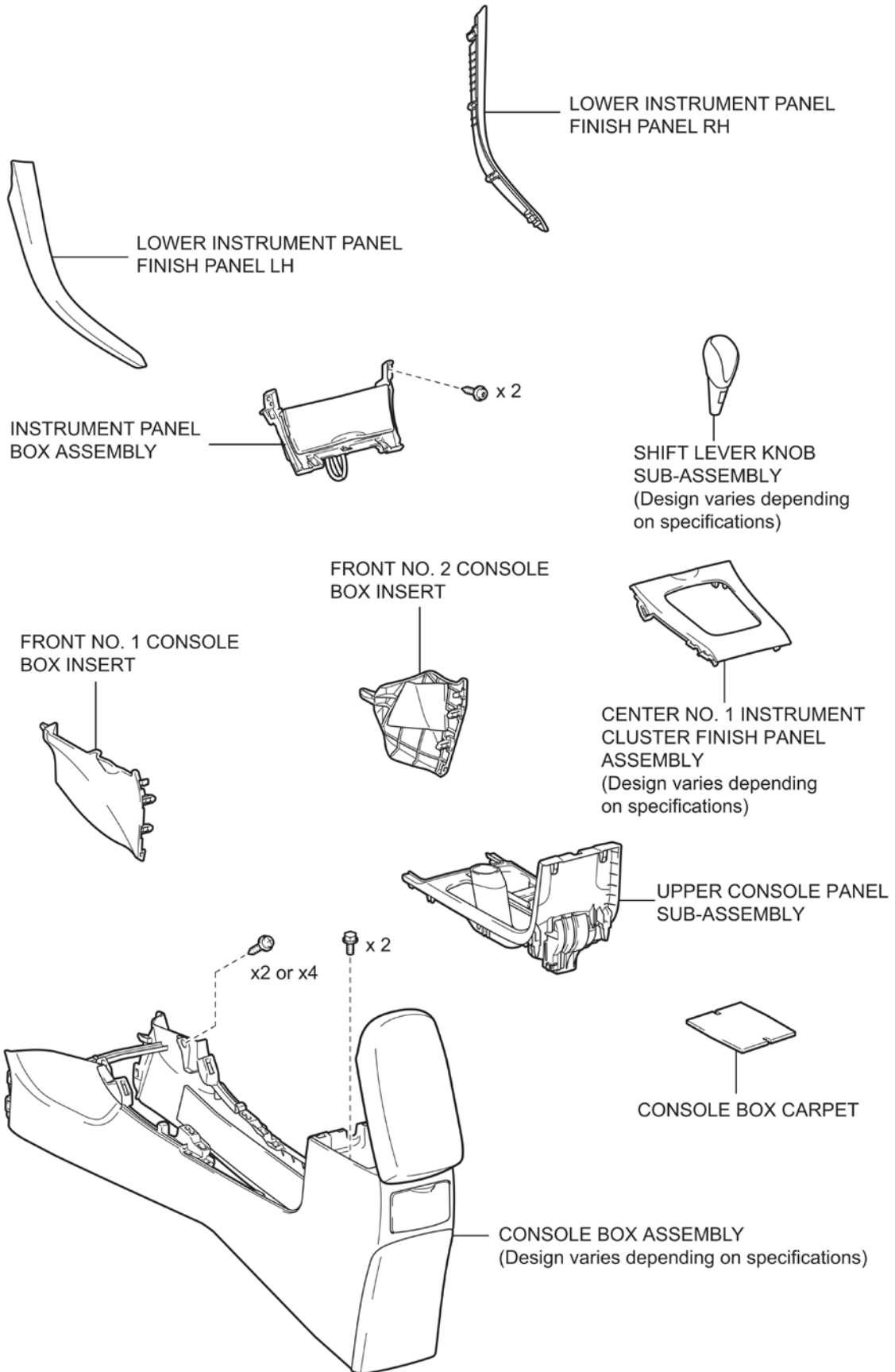
Example picture



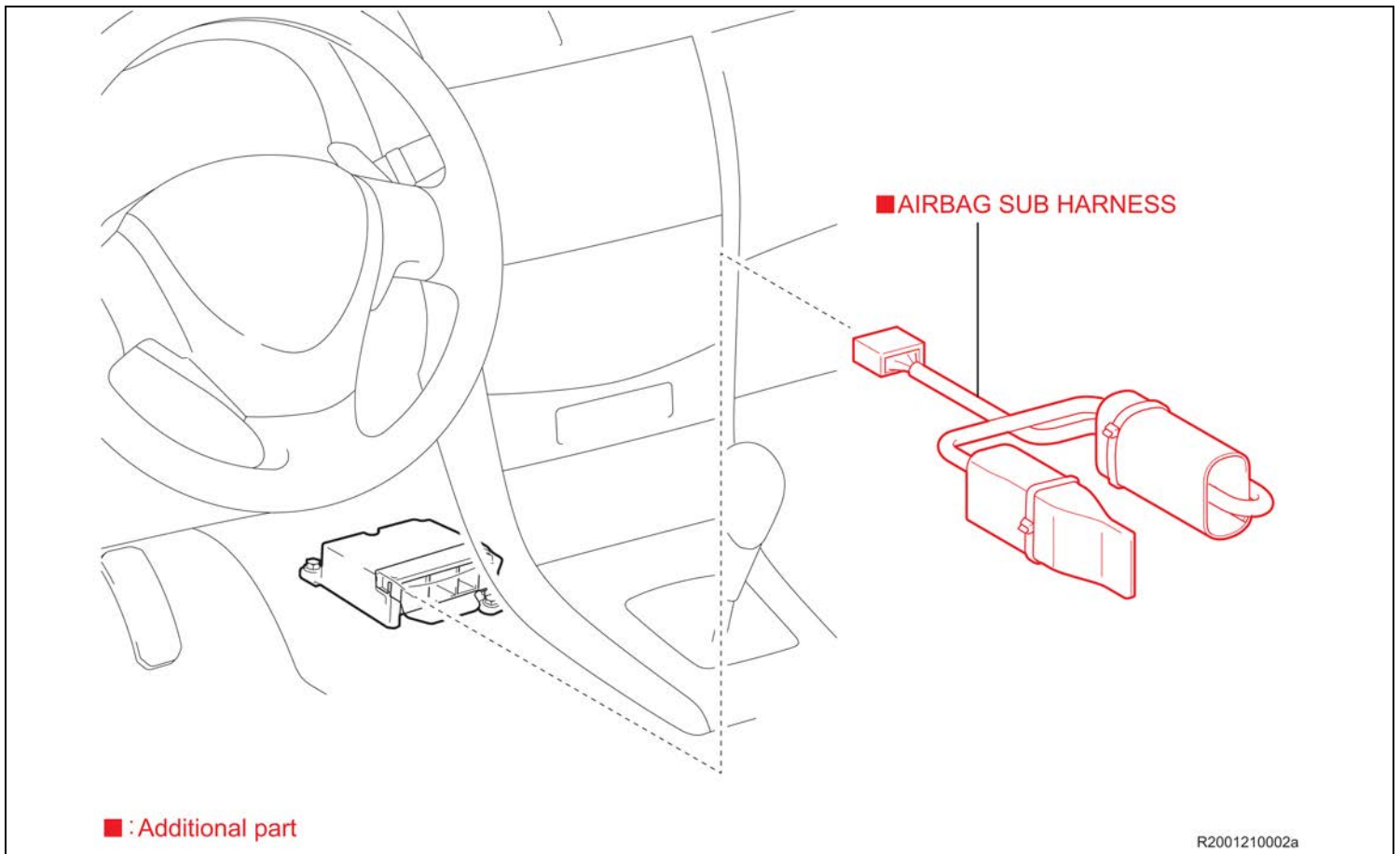
NOTE:

- Your progress will not be saved if you log off after uploading the inspection photo. The site will NOT automatically log you off
- For vehicles that do NOT require wire harness installation, the warranty authorization number will not be required for claim filing.

VII. INSTALL AIRBAG SUB HARNESS COMPONENTS



R2001210001



3. **PERFORM HEALTH CHECK**
 - a. Using a Techstream, perform a Health Check and record any DTCs found.

NOTE: A Health check must be performed on every vehicle. Record any DTCs as they are used to confirm the vehicles final state after repair and aid in any additional discussions needed with the customer

4. **DISCONNECT THE NEGATIVE BATTERY CABLE**



- Wait at least 90 seconds after disconnecting the cable from the negative battery terminal to prevent airbag and seat belt pretensioner deployment.
- Follow all precautions as outlined on TIS before servicing the SRS system.

5. **DISCONNECT THE CONNECTOR OF THE AIRBAG SENSOR ASSEMBLY**

Click the link below to access TIS for instructions

[**SUPPLEMENTAL RESTRAINT SYSTEMS: CENTER AIRBAG SENSOR ASSEMBLY: REMOVAL**](#)

(Doc ID: RM000000UWV06CX)

6. PREPARE AIRBAG SUB HARNESS

Click the play button to watch a video on how to prepare the airbag sub harness

NOTE: The video may take several minutes to load depending on internet connection.



IMPORTANT

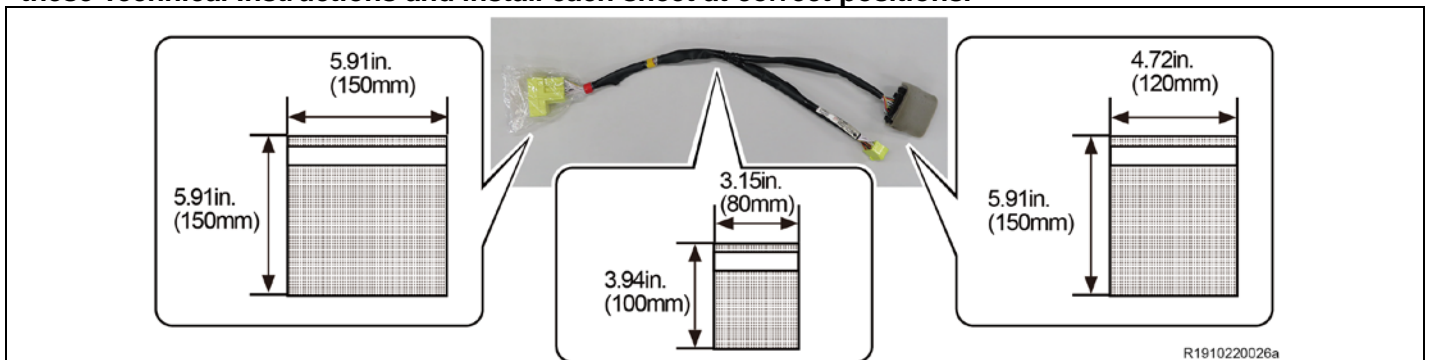


The procedure shown in these technical instructions is for 2011 – 2012 COROLLA only. **DO NOT** use it for other vehicle models.

Install each water guard sheet properly

There are 3 different water guard sheets which will be used to protect the airbag sub harness.

Each water guard sheet has double-sided tape on a side. If you install a sheet at a wrong position and seal with the tape, the sheet will no longer be reusable. Please make sure to follow the instructions on these Technical Instructions and install each sheet at correct positions.



Handling of airbag sub harness

- **DO NOT** twist the airbag sub harness forcibly as it may be damaged.
- **DO NOT** touch the terminals of the link connector. Also, make sure that no foreign matter enters the terminals of the link connector.

NG **DO NOT** forcibly twist the harness



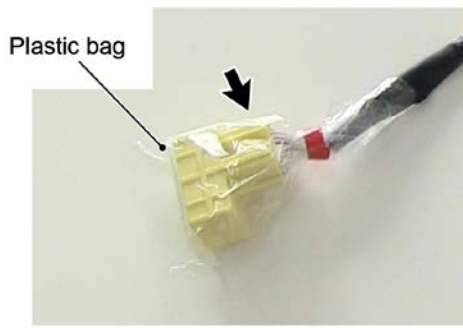
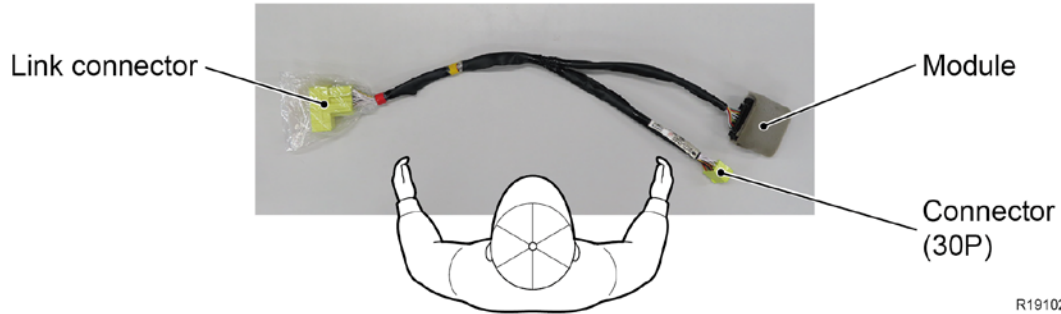
NG **DO NOT** touch the terminals. Also, **DO NOT** allow foreign matter enter.



R1910230025a

- a) Before starting the work, place the airbag sub harness following the instructions below to ensure you are dealing with it at the proper orientation.
- (1) Place the module and connector (30P) to the right side seen from you.
 - (2) Place the link connector to the left side seen from you.

[Place airbag sub harness in this state]



- b) Remove the plastic bag.

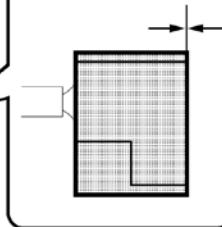


Ensure the urethane sheet is flush with the connector in the next step.

OK



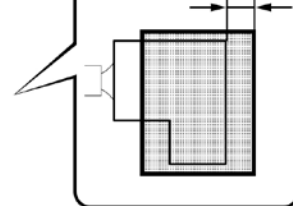
The sheet is **FLUSH** with the connector



NG



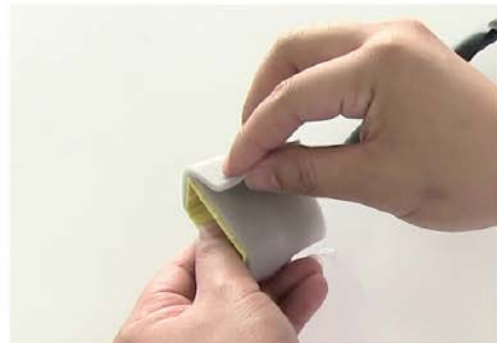
The sheet is **NOT** flush with the connector



R2001270001

- c) Wrap the urethane sheet (7.87in. (200mm) x 1.97in. (50mm)) around the link connector.

Urethane Sheet



R1910230017a

d) Press the position shown in the illustration (concave part) with your finger to remove any gap.



R1910230019a

e) Remove the release paper of the double-sided tape.



R1910230020

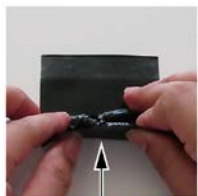
f) Place the smallest water guard sheet (3.15in. (80mm) x 3.94in. (100mm)) so that its double-sided tape side comes to the farther side from you, and then place the separating point of the airbag sub harness at the center of the sheet.

NOTE:

DO NOT place the water guard sheet in a wrong direction. Make sure that the double-sided tape side is on the farther side from you.

g) Wrap the water guard sheet from the side without double-sided tape, and then seal with double-sided tape for temporary fixing.

h) Double-check the airbag sub harness is placed correctly on the sheet.

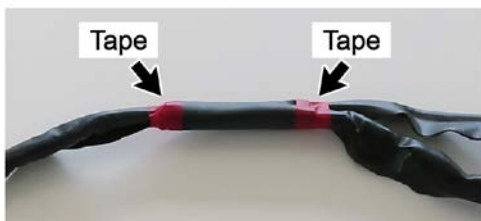


Wrap the water guard sheet from the no double-sided tape side



R1910230021

Fix both ends with vinyl tape



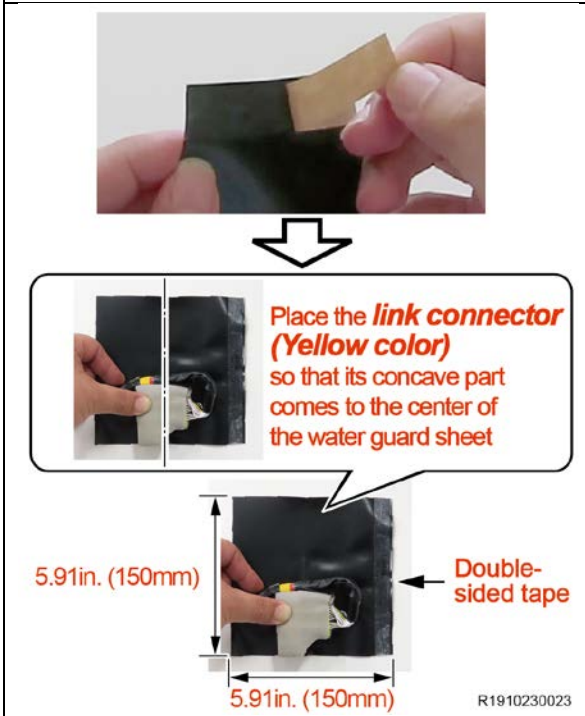
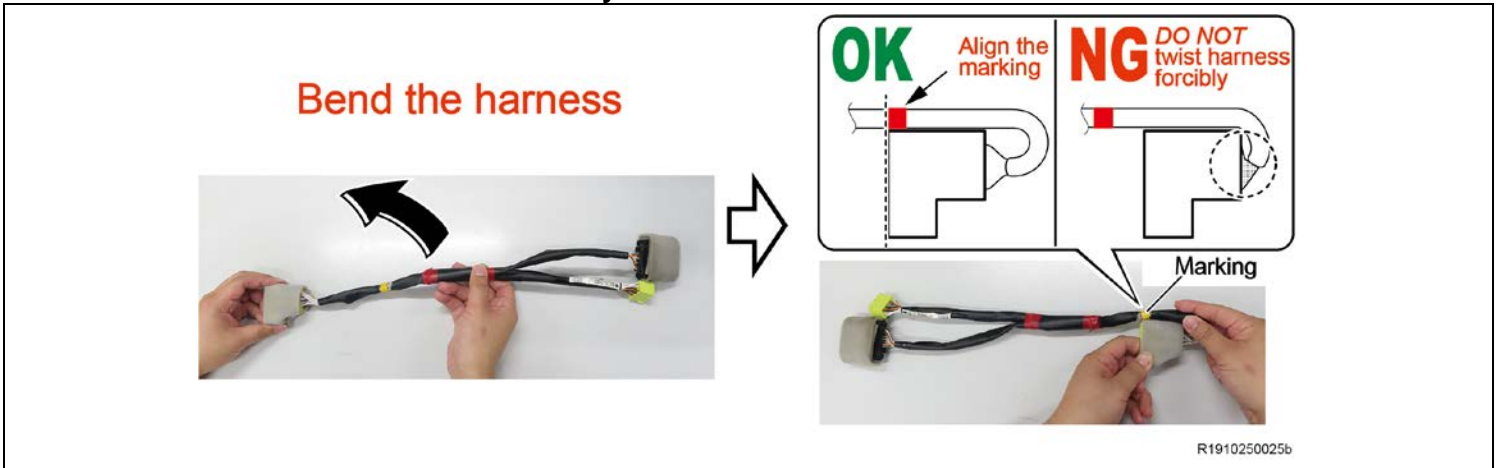
R1910230022

i) Fix the both ends of the water guard sheet with vinyl tape.

NOTE:

-Make sure that the water guard sheet is securely fixed.
-It is recommended you used a colored tape as it will be used to position the harness in the vehicle

- j) Bend the harness and align the marking with the end face of the link connector.
NOTE: DO NOT twist harness forcibly.

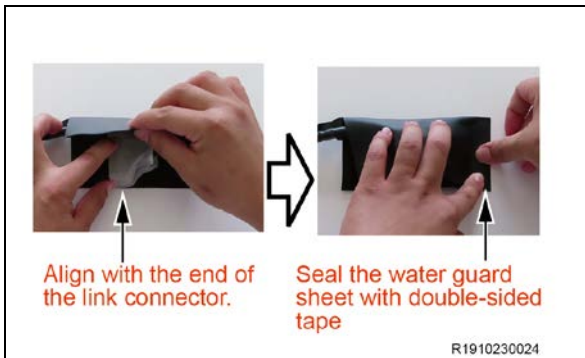


- k) Remove the release paper of the double-sided tape.

- l) Place the biggest water guard sheet (5.91in. (150mm) x 5.91in. (150mm)) so that its double-sided tape side comes to the right side, and then place the **link connector (Yellow color)** as shown in the illustration.

NOTE:

Place the link connector so that its connecting part to instrument panel wire comes to the side with no double-sided tape of the water guard sheet.



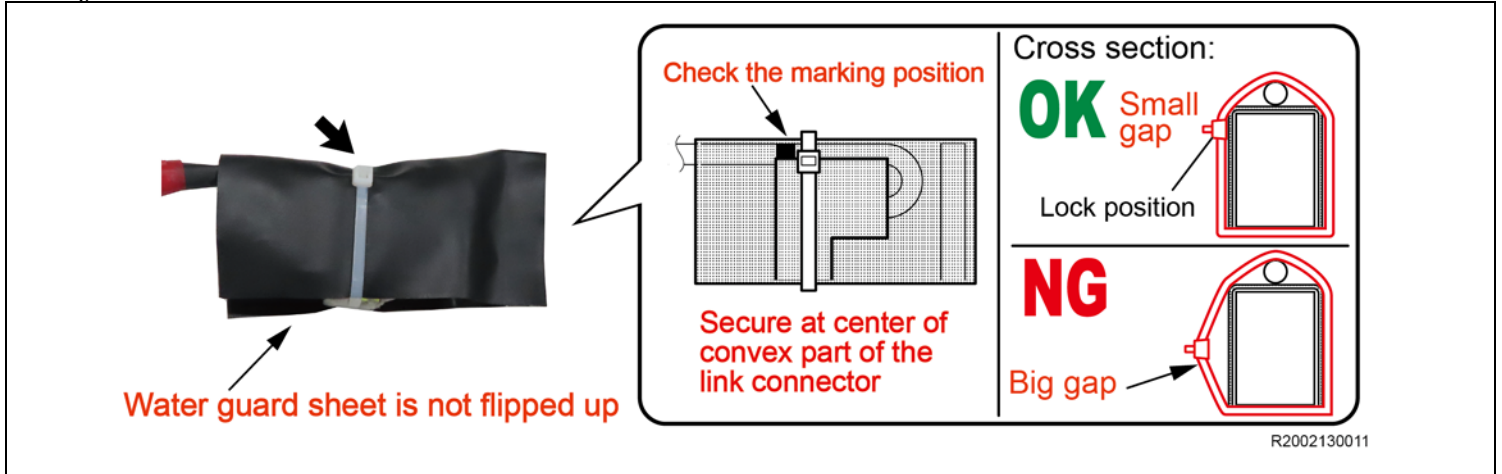
- m) Fold the water guard sheet so that its end is aligned with the end of the link connector.
- n) Make sure that the both ends of the folded water guard sheet and the link connector are aligned, and then seal the water guard sheet with double-sided tape.

- o) Double-check the marking is on the end face of the link connector.
- p) Set a cable tie at center of the convex part of the link connector and fix the water guard sheet and link connector securely.

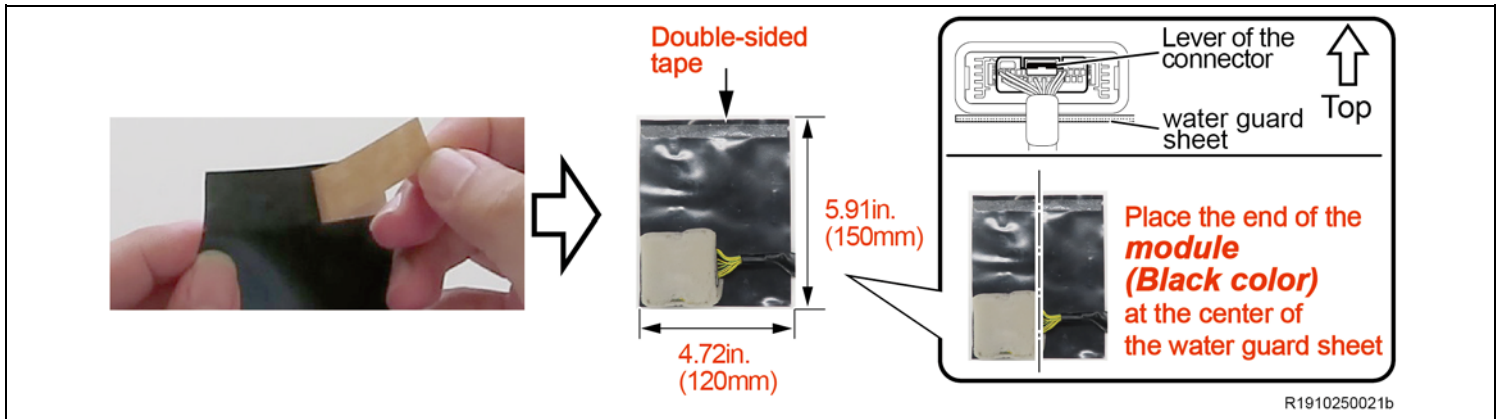
NOTE:

- A gap between the cable tie and the water guard sheet may cause the tie eventually be loosened and released. Make sure that the gap is reduced as much as possible.
- Make as little wrinkles as possible on the water guard sheet when installing it.

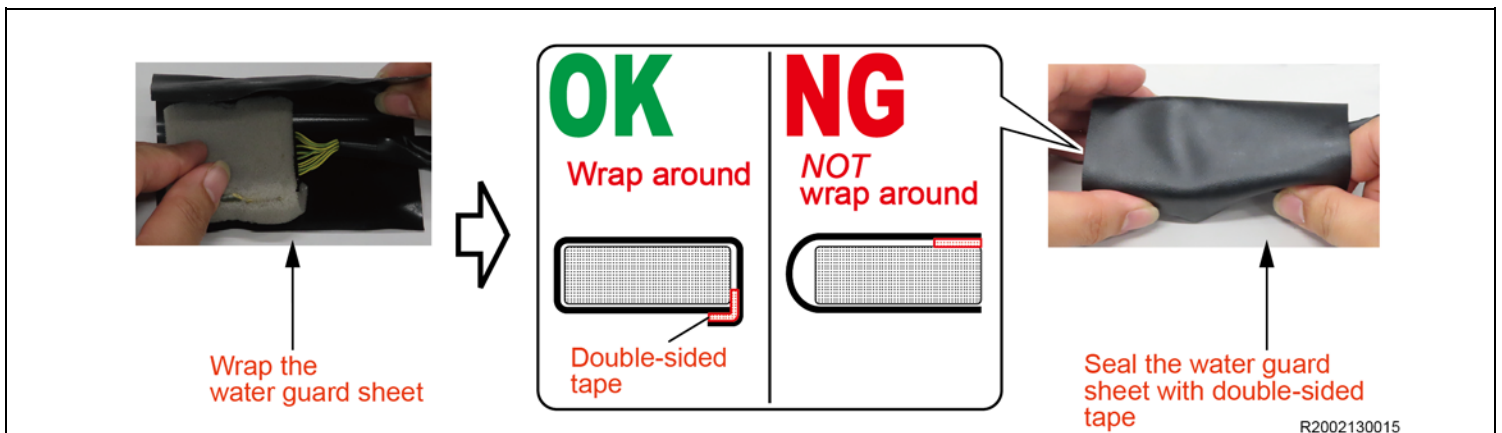
- q) Cut off the excess of the cable tie.



- r) Remove the release paper of the double-sided tape.
- s) Place the water guard sheet (4.72in. (120mm) x 5.91in. (150mm)) so that its double-sided tape side comes to the farther side from you, and then place the **module (Black color)** as shown in the illustration.



- t) Wrap the water guard sheet around so that it does not wrinkle.
- u) Make sure that the water guard sheet is not wrinkled and seal the water guard sheet with double-sided tape.

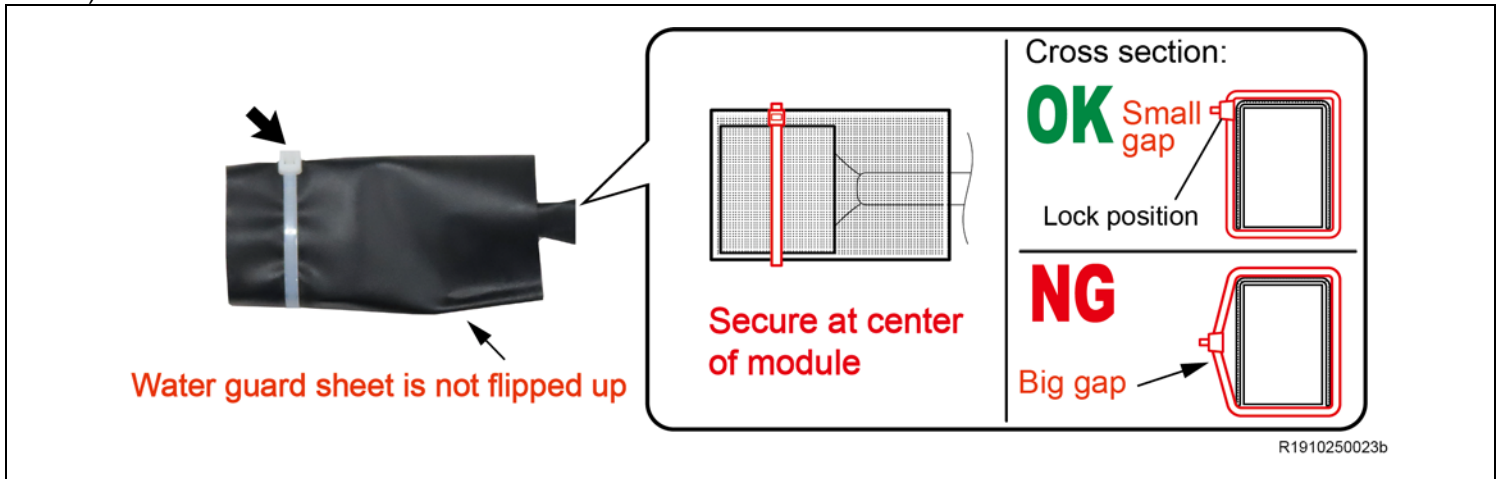


v) Set a cable tie at center of the module and fix the water guard sheet and module securely.

NOTE:

- A gap between the cable tie and the water guard sheet may cause the tie eventually be loosened and released. Make sure that the gap is reduced as much as possible.
- Make as little wrinkles as possible on the water guard sheet when installing it.

w) Cut off the excess of the cable tie.



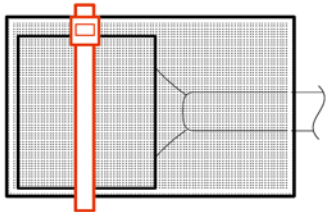
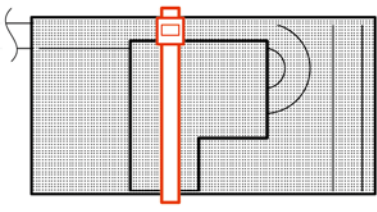
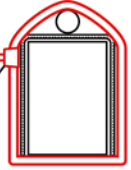
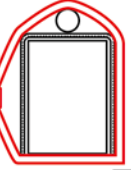



STOP

INTERMEDIATE INSPECTION (BY ANOTHER WORKER)

STOP

Confirm airbag sub harness is in proper condition

- Check the cable tie is fixed properly and if it is installed loose (big gap), tighten up the cable tie until fixed tightly (small gap).
- Confirm that the cable tie is installed at the center of the convex part of the link connector.
- Confirm that the cable tie is installed at the center of the module.
- Confirm that the water guard sheet is not flipped up.

| | | |
|---------------------------------------------------------------------------------------------------------------------|------------------------------------------------------------------------------------------------------------------------------------------------|------------------------------------------------------------------------------------------------------------------------------------------------------------------------------------------------------------------------------------------------------------------------|
| <p>Secure at center of module</p>  | <p>Secure at center of convex part of the link connector</p>  | <p>Cross section:</p> <p>OK Small gap</p>  <p>Lock position</p> <p>NG Big gap</p>  |
|  | | |
| <p>OK No flipped up</p>  | <p>NG Flipped up</p>  | |

R2002130016

7. INSTALL AIRBAG SUB HARNESS

Click the play button to watch a video on how to install the airbag sub harness

NOTE: The video may take several minutes to load depending on internet connection.



The procedure shown in these technical instructions is for 2011-2012MY COROLLA only. **DO NOT** use it for other vehicle models.

In the video there is no water guard on the ECU. Ensure you follow the procedure in the TI to position the water guard in the proper position

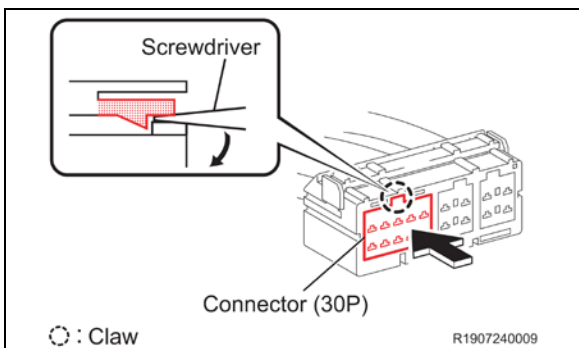
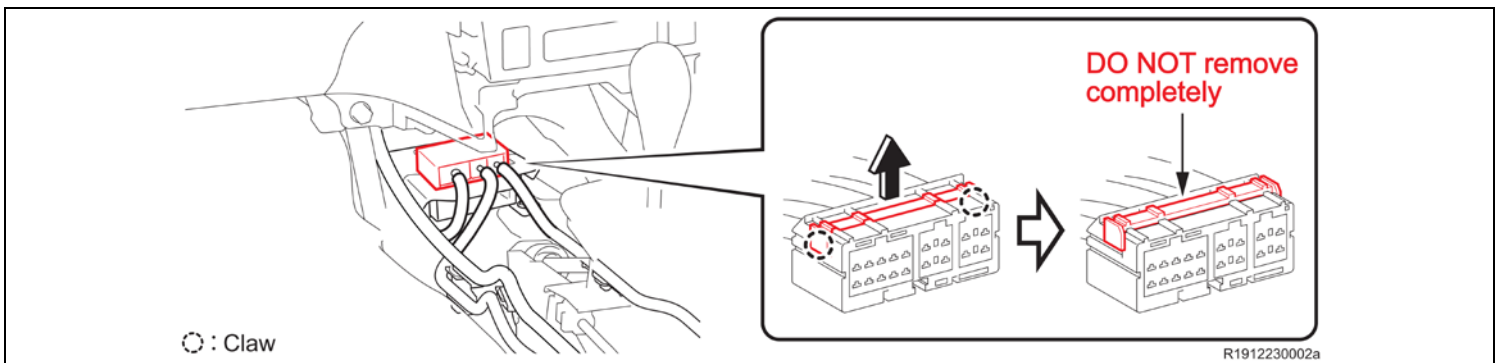
HINT:

For the vehicles with the rear air duct, although the airbag sub harness can be installed with the rear air duct installed, it can be removed if it is difficult to work.

- a) Using a screwdriver, disengage the 2 claws to release the retainer from the connector holder of the airbag sensor.

NOTE:

DO NOT remove the retainer from the connector holder completely. If removed, temporarily install it to the connector holder.

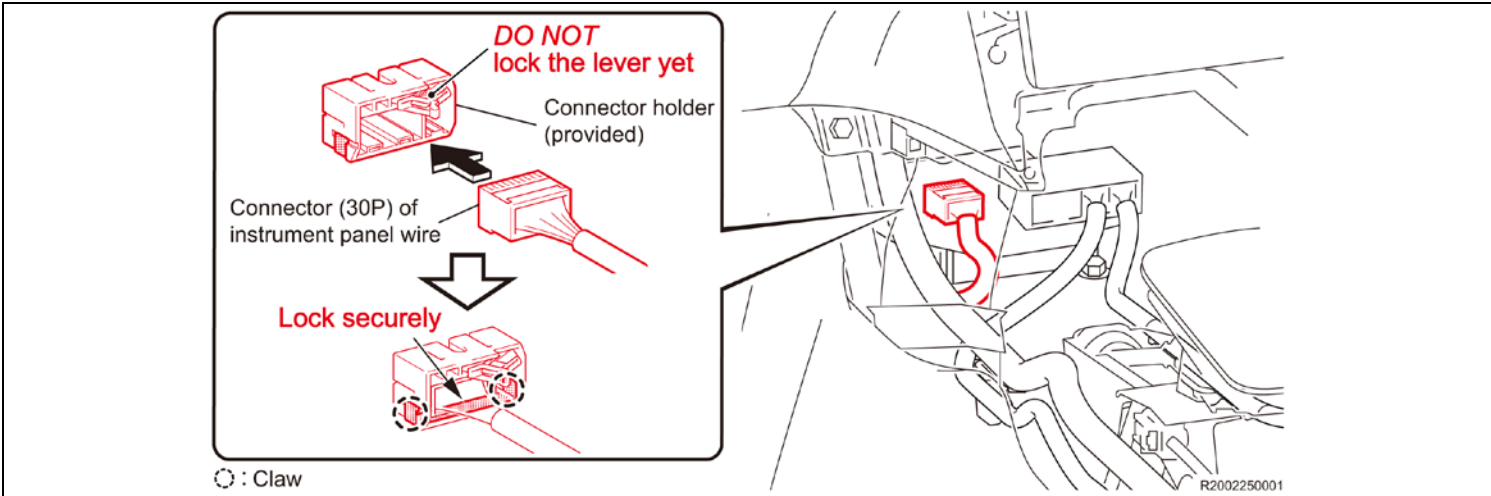


- b) Using a screwdriver, disengage the claw and remove the connector (30P) from the connector holder.

c) Install the connector (30P) of the instrument panel wire to the provided connector holder and lock the retainer securely.

STOP

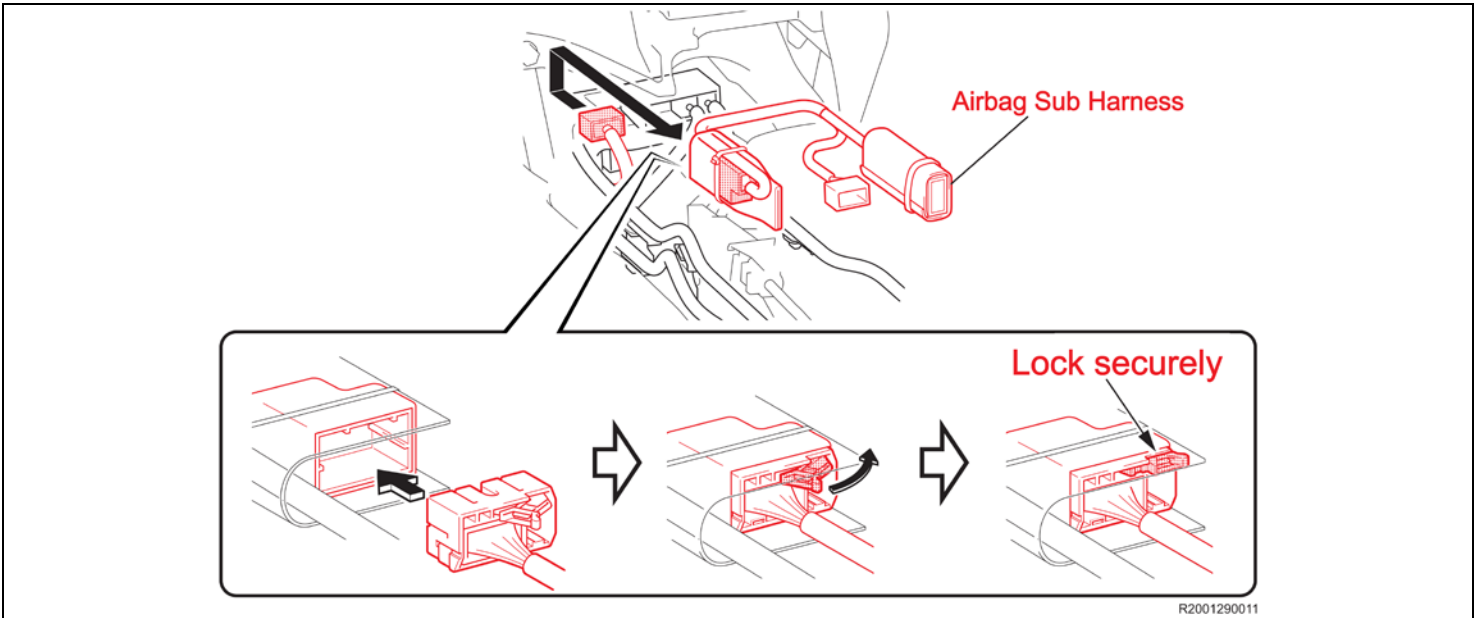
- **Make sure that the connector (30P) is securely installed to the connector holder (provided).**
- **Securely lock the retainer.**
- **DO NOT lock the lever yet.**

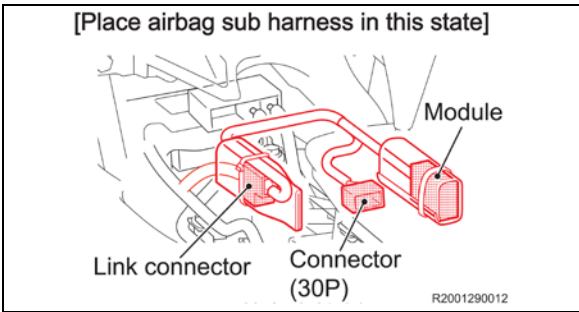


d) Flip up the water guard sheet of the link connector and connect the connector (30P) with connector holder (provided).
 e) Lock the lever securely.

STOP

- **DO NOT twist the airbag sub harness forcibly as it may be damaged.**
- **DO NOT touch the terminals of the link connector. Also, make sure that no foreign matter enters the terminals of the link connector.**
- **Securely lock the lever.**
- **Make sure that the water guard sheet is not flipped up and not pinched.**





- f) Lay out each part of the airbag sub harness as shown in the illustration.

NOTE:

Check the direction of the water guard sheet. The side which is not covered by the water guard sheet of the link connector and module must face downwards.

STOP **IMPORTANT** **STOP**

- g) Pass the connector (30P) of airbag sub harness under the harness as shown in the illustration.

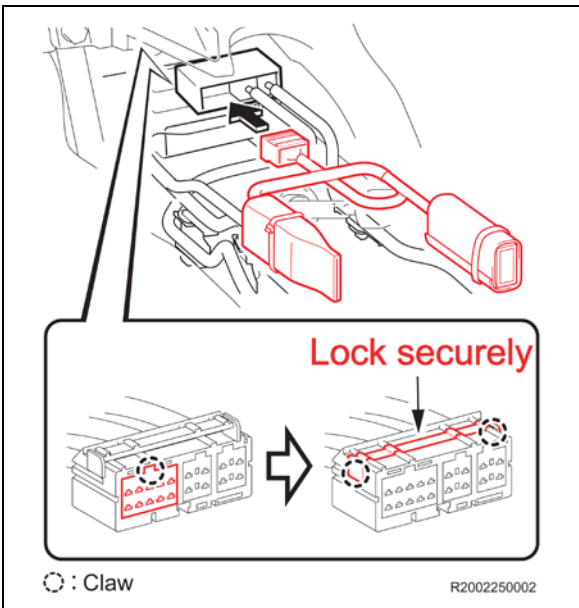
NOTE:

Make sure to pass the connector (30P) under the harness. Otherwise water may run along the harness of the connector (30P) and enter the ECU, resulting in damage of the ECU in the worst case. This may prevent the airbag from being deployed.



- h) Connect the connector (30P) of airbag sub harness to the connector holder of the airbag sensor and lock the retainer securely.

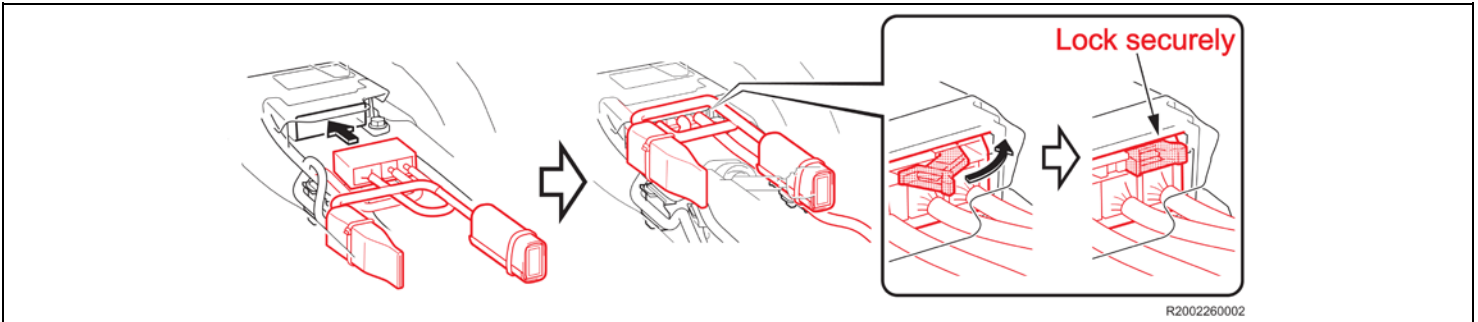
STOP **Securely lock the retainer.**



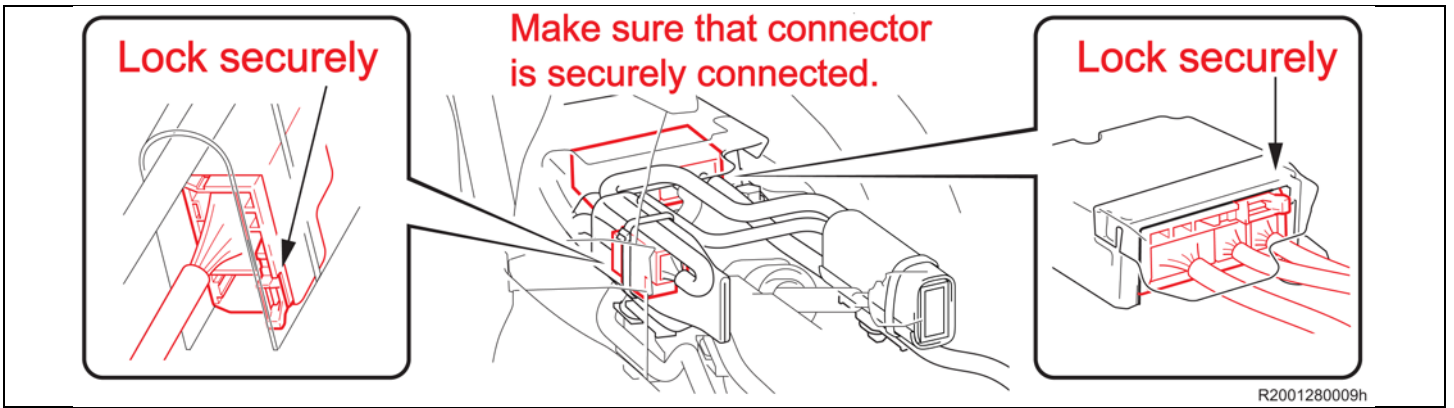
- i) Connect the connector holder to the airbag sensor.
- j) Lock the lever securely.



- Securely lock the lever.
- Make sure that the water guard sheet of the airbag sensor is not flipped up or caught.



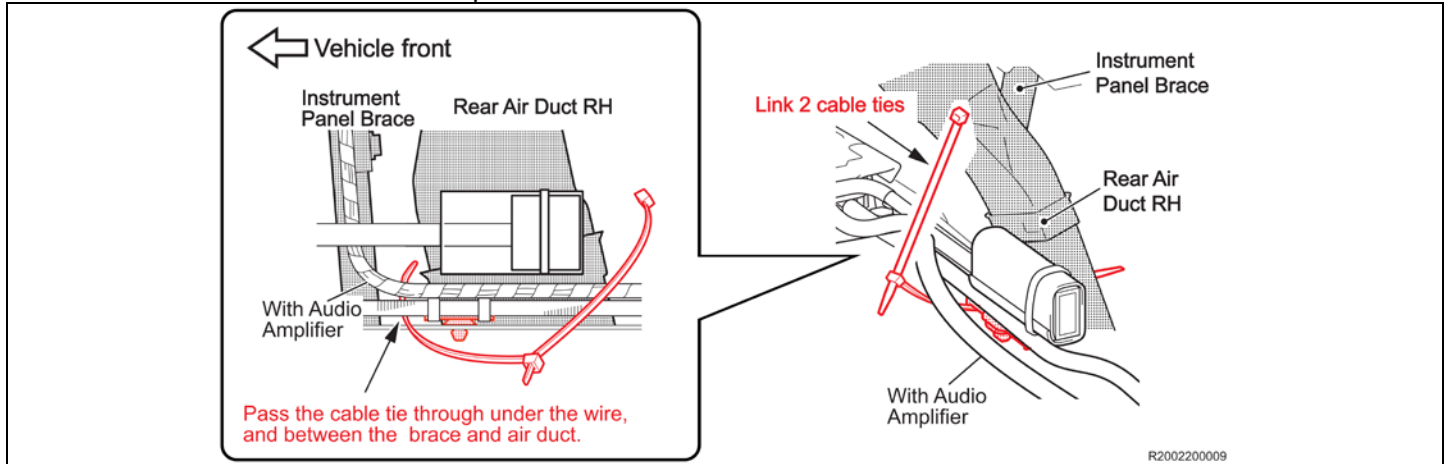
**Check each connector is securely connected.
(The retainers of connector holders are also securely installed)**



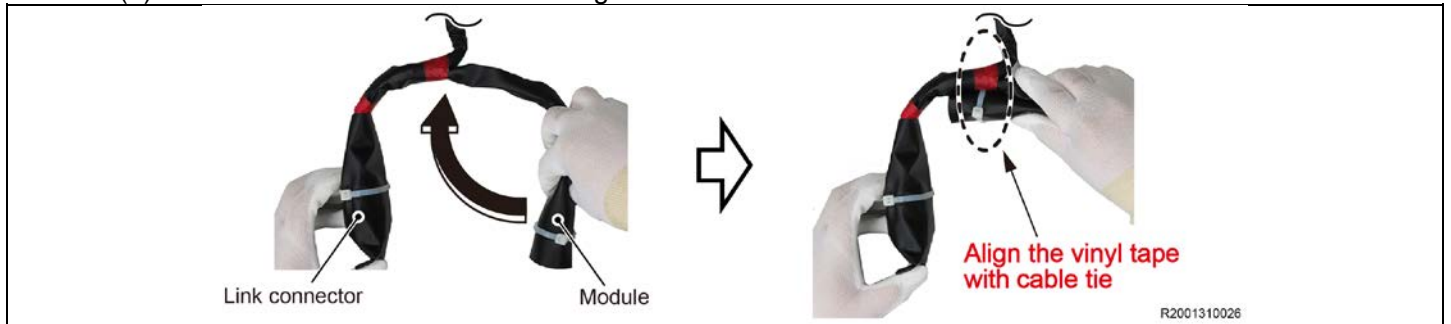
WITH Rear Air Duct

k) **With Rear Air Duct:**

- (1) Link 2 cable ties in order to fix the module to the rear air duct RH.
- (2) Pass the linked cable tie through the positions shown below and temporarily install it.
 - Under the instrument panel wire
 - Between the instrument panel brace and rear air duct RH



- (3) Bend the module side of the airbag sub harness as shown in the illustration.



- (4) Place the module on the instrument panel wire of the right side.
- (5) Fix the module with the cable tie as shown in the illustration.

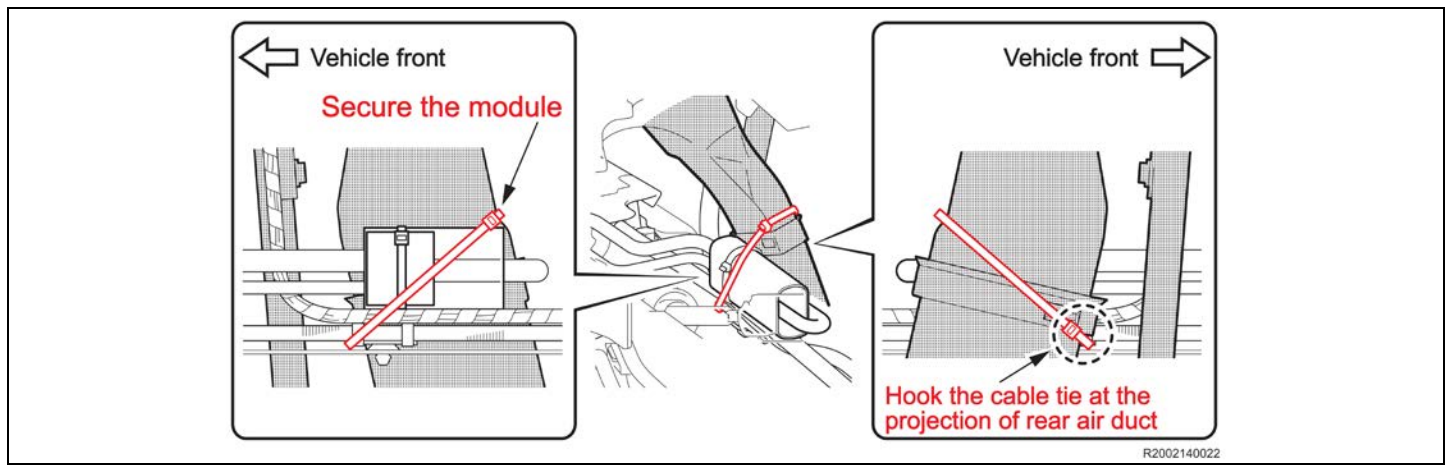


If audio amplifier equipped, be careful not to touch the cable tie directly to the uncovered part of the instrument panel wire.

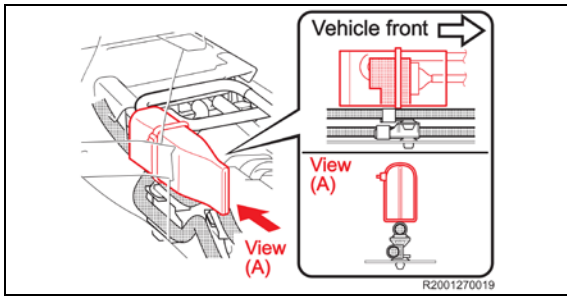
NOTE:

- Make sure that the module, water guard sheet and instrument panel wire are securely fixed.
- Make sure that the water guard sheet is not flipped up.

- (6) Cut off the excess of the cable tie.



WITH Rear Air Duct



(7) Place the link connector on the instrument panel wire of the left side.

- (8) Link 2 cable ties in order to fix the link connector to the rear air duct LH.
- (9) Pass the linked cable tie through the positions shown below and temporarily install it.
- Outside the rear air duct LH and the water guard sheet of the link connector
 - Between the instrument panel brace and rear air duct LH



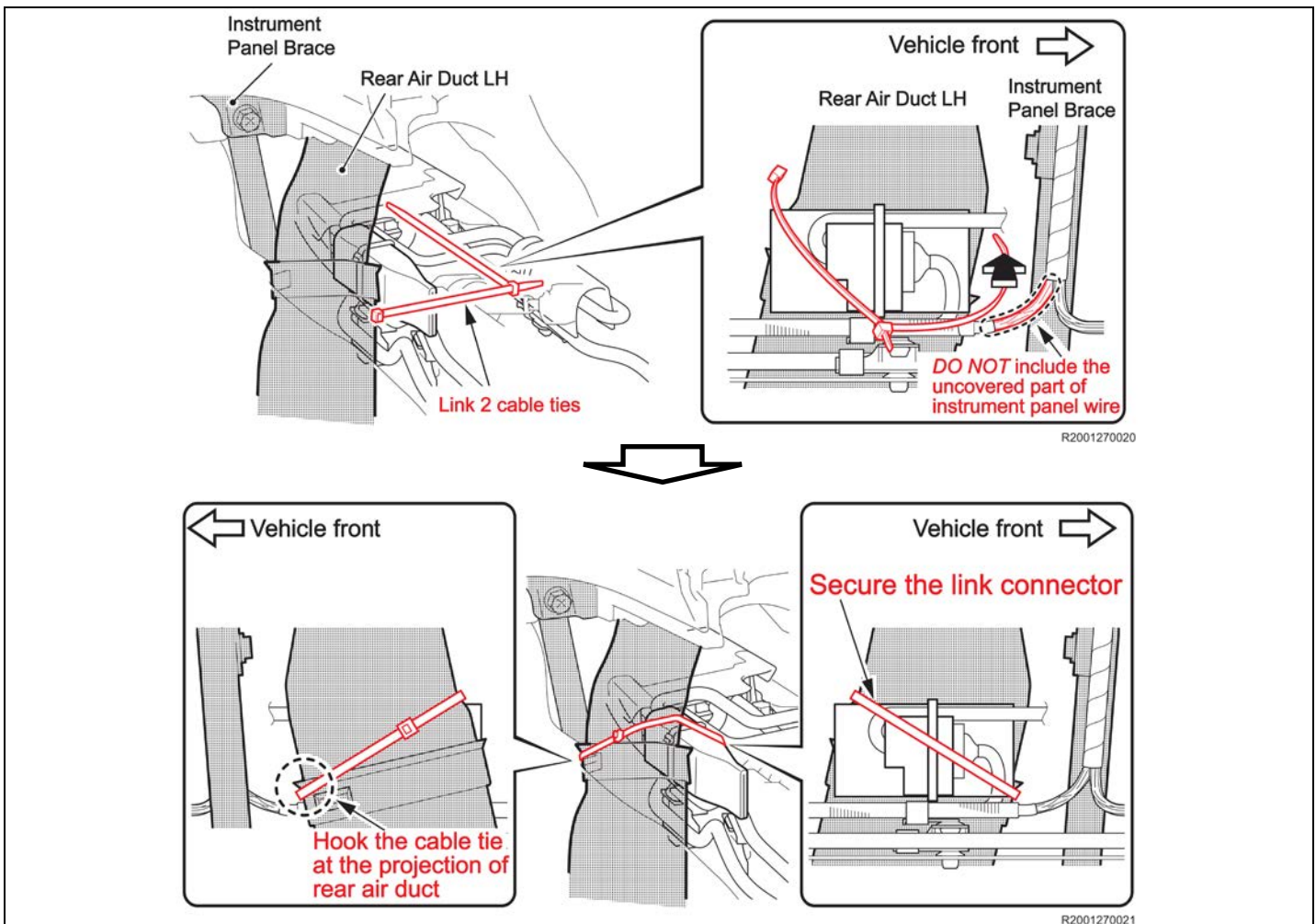
Be careful not to include the uncovered part of the instrument panel wire when fixing the cable tie.

(10) Fix the link connector with the cable tie as shown in the illustration.

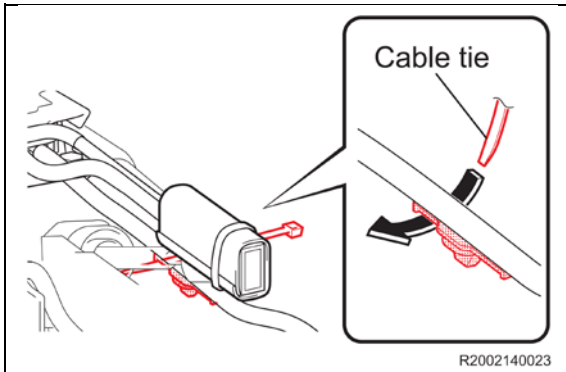
NOTE:

- Make sure that the link connector, water guard sheet and instrument panel wire are securely fixed.
- Make sure that the water guard sheet is not flipped up.

(11) Cut off the excess of the cable tie.



WITHOUT Rear Air Duct



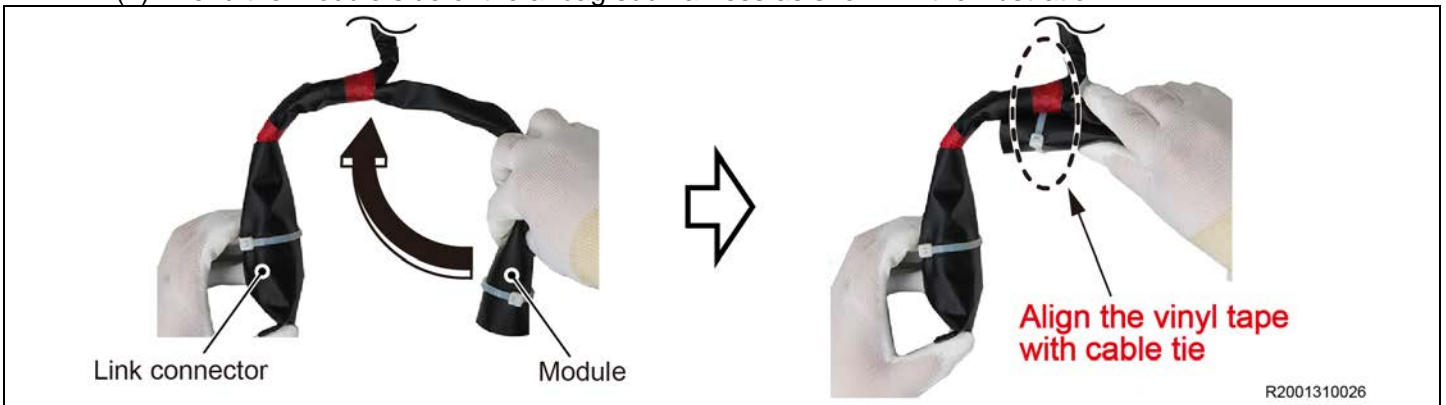
k) **Without Rear Air Duct:**

(1) Pass the cable tie through at the front side of the clamp.



If audio amplifier equipped, be careful not to include the uncovered part of the instrument panel wire when fixing the cable tie.

(2) Bend the module side of the airbag sub harness as shown in the illustration.



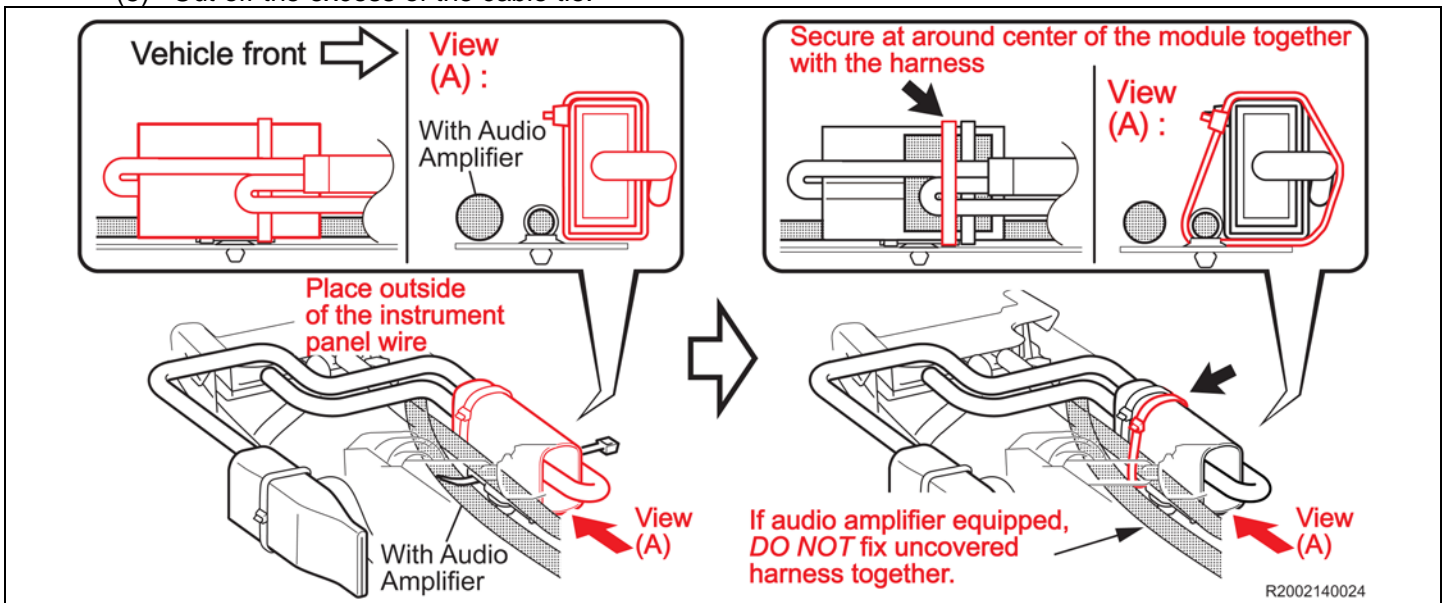
(3) Place the module outside the instrument panel wire of the right side.

(4) Using a cable tie, fix the module at around the center of the module.

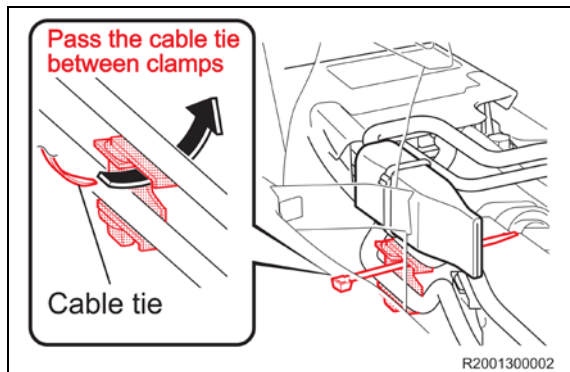
NOTE:

- Make sure that the module, water guard sheet and instrument panel wire are securely fixed.
- Make sure that the water guard sheet is not flipped up.
- If audio amplifier equipped, be careful not to include the uncovered part of the instrument panel wire when fixing the cable tie.

(5) Cut off the excess of the cable tie.



WITHOUT Rear Air Duct



(6) Pass the cable tie between clamps.

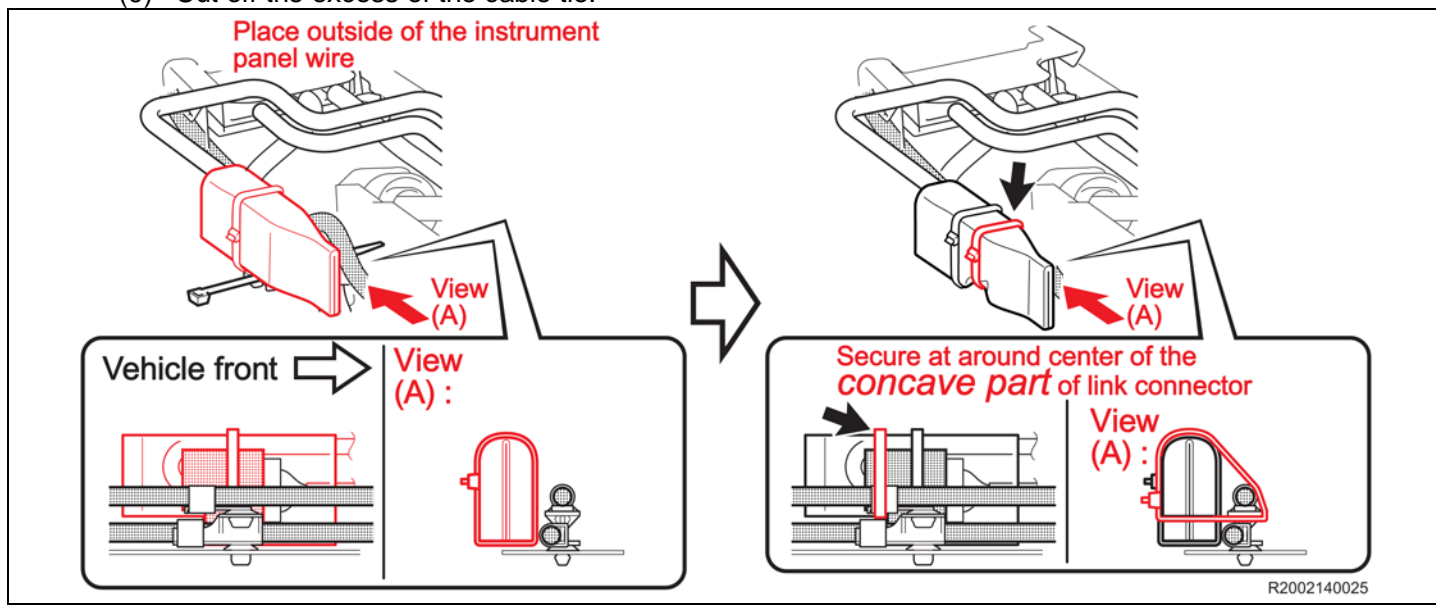
(7) Place the link connector outside the instrument panel wire of the left side.

(8) Using a cable tie, fix the link connector at around the center of concave part of the link connector.

NOTE:

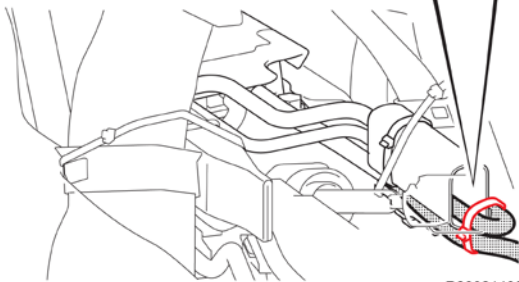
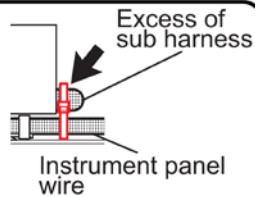
- Make sure that the link connector, water guard sheet and instrument panel wire are securely fixed.
- Make sure that the water guard sheet is not flipped up.

(9) Cut off the excess of the cable tie.



All vehicles

DO NOT tie up the cable tie excessively



R2002140026

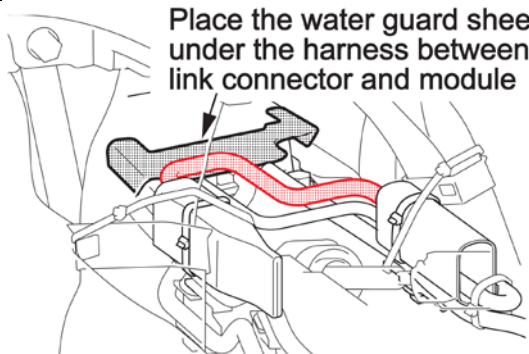
*This illustration uses "w/ Rear Air Duct" for reference

- l) Using a cable tie, fix the excess harness of module side together with the instrument panel wire.



DO NOT tie up the cable tie excessively to avoid damage to the harness.

Place the water guard sheet under the harness between link connector and module

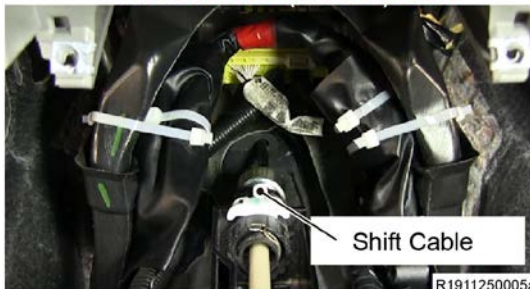


R2002140027

*This illustration uses "w/ Rear Air Duct" for reference

- m) Place the water guard sheet of the airbag ECU under the harness between the link connector and module.

Make sure there is no interference with the cable



R1911250005a

- n) Make sure there is no interference with the shift cable.



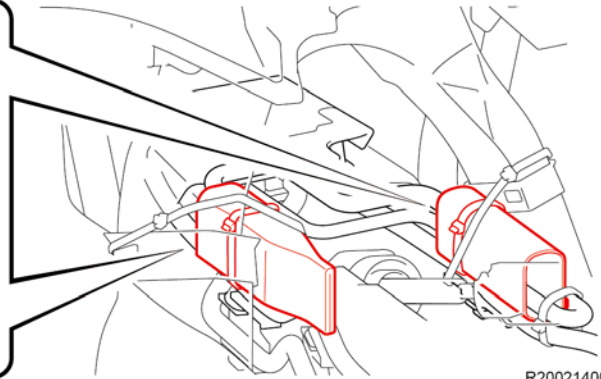
INTERMEDIATE INSPECTION (BY ANOTHER WORKER)

Confirm airbag sub harness is installed in proper condition



- Check each water guard sheet is not flipped up. ☐

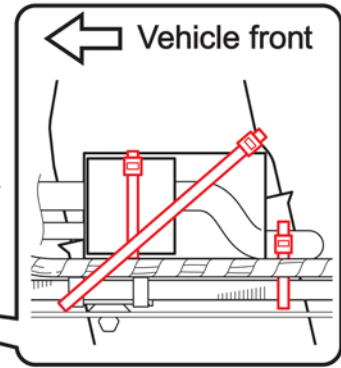
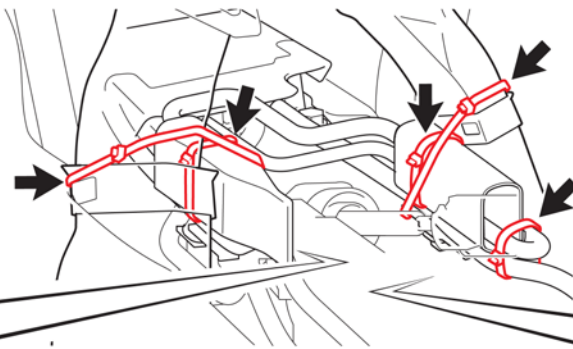
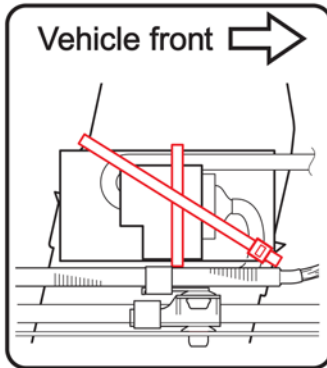
OK Not flipped up **NG** Flipped up



R2002140028

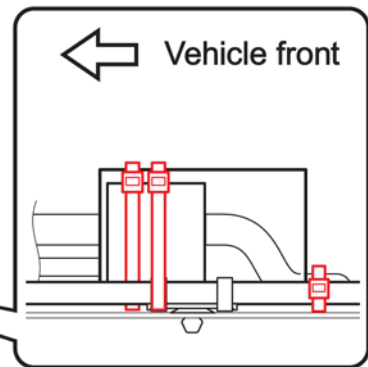
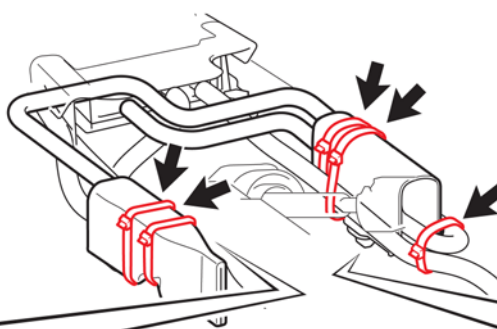
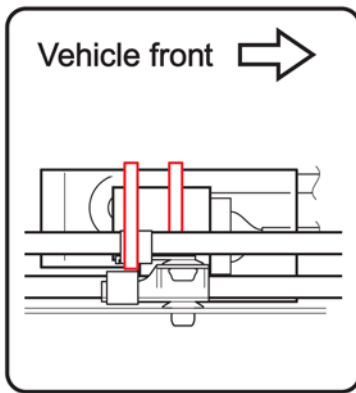
- Check each cable tie is fixed at its proper position and is securely fixed. ☐
- Check the cable tie is fixed properly and if it is installed loose, tighten up the cable tie. And then cut off the excess of the cable tie. ☐

With Rear Air Duct:



R2002140029

Without Rear Air Duct:



R2002140030

8. Post Repair Quality Checksheet

- a. Upload a picture of the completed wire harness installation as instructed on the website

NOTE: Example photo below shows vehicle with rear air ducts. Vehicles without rear air ducts will look slightly different.



The picture you take MUST MATCH the angle of image shown below

Example picture



Complete re-installation of vehicle.

Warranty Authorization Number:

DONE

- b. Record the warranty authorization number and provide it to the warranty administrator for claim filing.

9. RESTORE THE VEHICLE

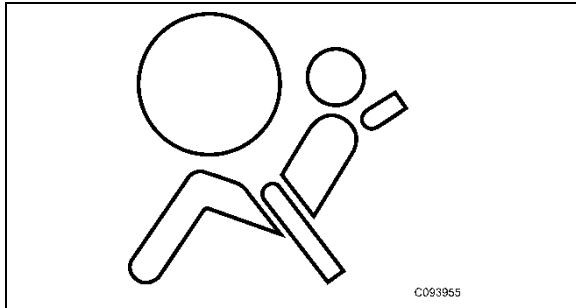
Click the link below to access TIS for instructions

[SUPPLEMENTAL RESTRAINT SYSTEMS: CENTER AIRBAG SENSOR ASSEMBLY: INSTALLATION](#)

(Doc ID: RM000000UWS06CX)



Be careful not to pinch the airbag sub harness when installing the console box.



10. INSPECT SRS WARNING LIGHT

- Check that the airbag warning light lights when the power switch is turned on.
- Check that the airbag warning light goes off approximately 6 seconds after turning on of the ignition switch.

NOTE:

If the airbag warning light remains on, it is likely to be caused by connection failure of the airbag connector.

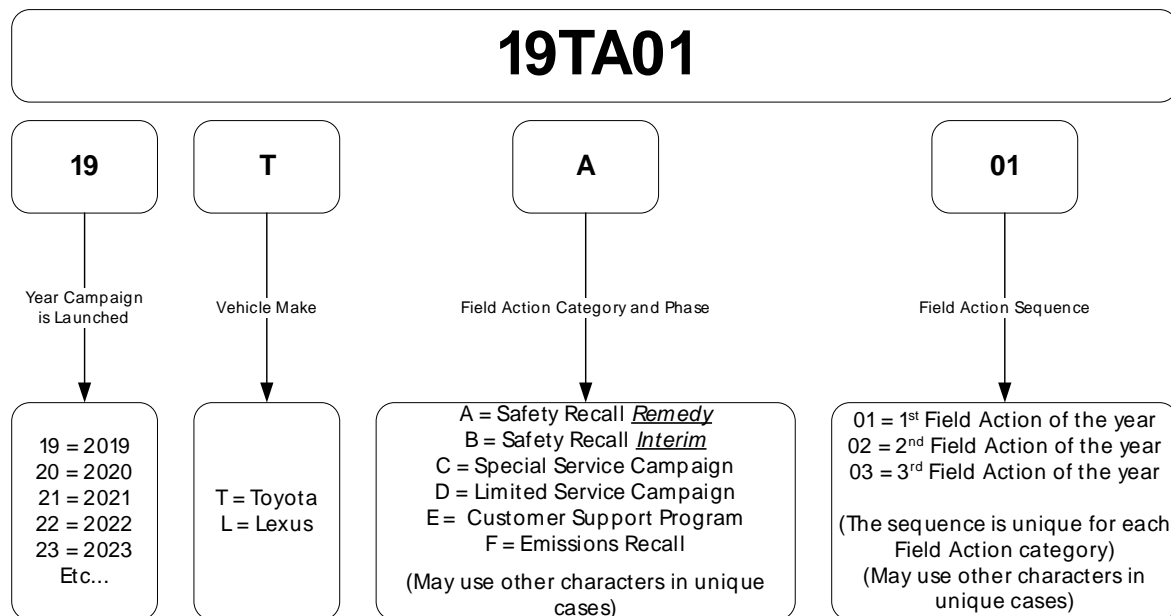
◀ VERIFY REPAIR QUALITY ▶

- Confirm there is no SRS light on
- Confirm center console has been properly installed and that no large gaps in trim are present
- Confirm you have completed the Repair Quality Checksheet and that the image you uploaded was correct.

If you have any questions regarding this Safety Recall, please contact your regional representative.

VIII. APPENDIX

A. CAMPAIGN DESIGNATION DECODER



Examples:

19TA01 = Launched in 2019, Toyota, Safety Recall Remedy Phase, 1st Safety Recall Launched in 2019

20TC02 = Launched in 2020, Special Service Campaign, 2nd Special Service Campaign Launched in 2020

21TE05 = Launched in 2021, Customer Support Program, 5th Customer Support Program Launched in 2021