



## SIB 72 03 19

2020-06-12

### RECALL 19V-XXX: REAR SEAT SAFETY BELT

Please perform the procedure outlined in this Service Information on all affected vehicles before customer delivery. In the event the customer has already taken delivery of the vehicle, please perform the procedure the next time the vehicle is in the shop.

This Service Information Bulletin (Revision 2) replaces SI B72 03 19 **dated February 2020**.

#### What's New (Specific text highlighted):

- Parts are now available to order without a Parts Recall IDS ticket

### MODEL

E-Series	Model Description	Production Date
G20	3 Series Sedan	April 11, 2019 – December 5, 2019

### AFFECTED VEHICLES

Vehicles which require this Recall Campaign to be completed will show it as "Open" when checked either in AIR, the "Service Menu" of DCSnet (Dealer Communication System) or with ISPA NEXT. Recall letter and Q&A are attached.

### SITUATION

BMW AG is conducting a Voluntary Safety Recall (effective December 19, 2019) on a small number of Model Year 2019 - 2020 BMW 3 Series vehicles that were produced between April 2019 and December 2019. The rear seat safety belt (left or right) may not have been produced to specifications.

The Recall Notice and Q&A have been attached for further information.

### CAUSE

A crimp on the housing of the micro gas generator for belt tensioning may be missing in some cases.

### CORRECTION

Inspect the rear upper safety belts on the left and right. Replace the upper safety belt if necessary.

### PROCEDURE

Access the rear safety belts as per **REP7211420** and **REP7211421**

NOTE: The safety belt does not have to be fully removed to perform the inspection.

Parts label location (circled).



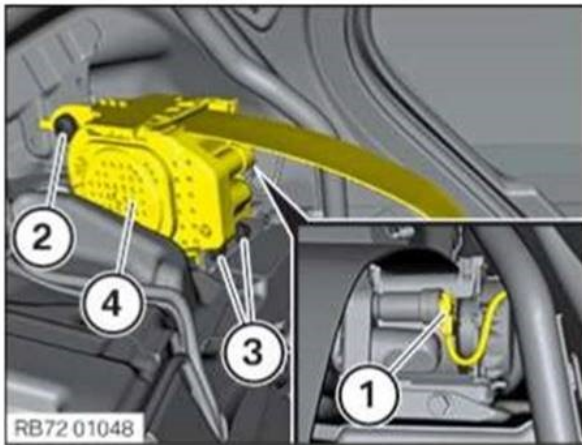
The serial number (2) is found in the green box.

Compare the serial number on the safety belt to the attached list.

If the serial number is on the list, the safety belt must be replaced.

- Create a RECALL IDS ticket by VIN requesting the correct Part Number (beige / black) safety belt
- The safety belts' mounting screws must be replaced once removed
- Most vehicles will require replacement of only one of the two safety belts

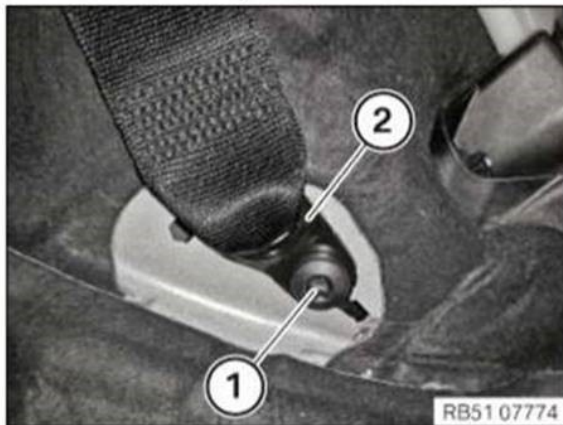
## Remove rear upper seat belt



- Unlock plug connection (1) and disconnect.
- Loosen screw (2).
- Loosen screws (3).
- Feed out seat belt retractor (4) towards the front.

The safety belts mounting screw must be replaced once removed. This is the large M10 bolt on the rear of the reel (2). The two small M6 bolts at the front of the reel can be reused (3).

## Remove the trim panel for the storage shelf



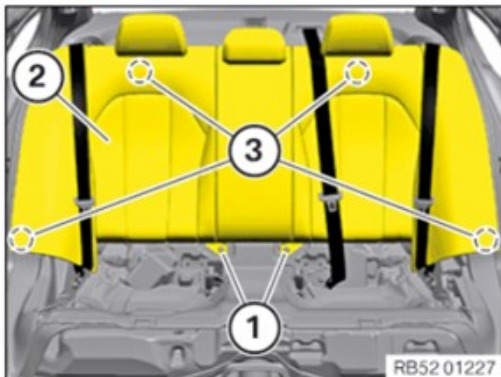
### NOTE

Perform the steps on the right and left side.

- Release the screws (1) on the rear strap fitting (2) at left and right.
- Feed out the rear strap fitting (2) at left and right from the body.

The safety belt reel anchor for the outer safety belt must be removed in order to remove the safety belt reel. The anchor bolt must be replaced once removed (1).

## Remove rear seat backrest



- Guide the rear seat backrest (2) into the seat belts and position it.
  - Attach the rear seat backrest (2) in the guides (3) from the top.
  - Renew screws (1).
- Parts: Bolts
- Tighten the screws (1).

### Tightening torques

#### Rear seat backrest on body

Screw	Tightening torque	42Nm
Renew screw.		

For vehicles with fold-down rear seats, there is no need to remove the seat back to remove the

rear parcel shelf.

### Installing rear seat bench



- Lift the seat bench (1) into the vehicle.
  - Insert the seat belt (3).
  - Renew the screw (2).
- Parts: Screw
- Tighten down screw (2).

#### Tightening torques

##### Rear upper seat belt to bottom body

Screw	Tightening torque	42Nm
Renew screw.		

The safety belt reel anchor for the rear seat center safety belt must be removed in order to remove the rear seat bottom cushion. The anchor bolt must be replaced once removed (2). The seat bottom can be moved enough to gain clearance without removing this bolt as shown.

## PARTS INFORMATION

Only use and invoice the part numbers below that apply.

Performing a part number look-up in ETK (EPC) by VIN or model in place of using/invoicing the following part numbers may result with the wrong part numbers being invoiced and installed, this could delay the payment of claim.

Note: These safety belts are now available for regular ordering. A RECALL IDS ticket is no longer required.

Part Number	Description	Quantity
72 11 7 496 265	Rear upper safety belt, canberra beige	1
OR		
72 11 7 496 266	Rear upper safety belt, black	1
AND		
07 14 9 148 299	Oval-head screw M10X22	Up to 5 as needed

Other small parts such as screws, nuts and seals, which must be replaced according to the ISTA repair instructions, must be selected from the Electronic Parts Catalogue according to the respective vehicle type and invoiced under the special defect code.

## WARRANTY INFORMATION

Reimbursement for this Service Action will be via normal claim entry utilizing the following information together with the specified part numbers listed above that apply:

Defect Code	0072100200
-------------	------------

Completion before the first vehicle delivery to a customer or the vehicle is already in the workshop

Work Pkg	Labor Operation	Description (Plus Work)	Labor Allowance

# 1	00 68 866	Checking the rear upper safety belts on the left and right, replacing an upper safety belt (Plus)	10 FRU
-----	-----------	---------------------------------------------------------------------------------------------------	--------

Or:

**The vehicle arrives at your center and this Recall Campaign shows open (No other Main work will be performed/claimed during this workshop visit)**

Work Pkg	Labor Operation	Description (Main work)	Labor Allowance
# 2	00 68 268	Checking the rear upper safety belts on the left and right, replacing an upper safety belt (Main)	12 FRU

### Claim Repair Comments

Only reference the SIB number and the work package (Pkg) number performed in the RO technician notes and in the claim comments (For example: B72 03 19 WP 1), unless otherwise required by State law.

Supporting Materials

[picture\\_as\\_pdf B720319 Recall Notice.pdf](#)

[picture\\_as\\_pdf B720319 Repair instructions.pdf](#)

[picture\\_as\\_pdf B720319 Serial Number List.pdf](#)

[picture\\_as\\_pdf B720319\\_2020-G20-RearSeatRetractor-QA-\(19Dec2019\).pdf](#)

## **SAFETY RECALL NOTICE**

To: All Center Operators, Sales Managers, Service Manager, Parts Manager and Warranty Processor

RE: Recall 19V-912: Rear Seat Safety Belt Retractor – B72 03 19

BMW AG is conducting a Voluntary Safety Recall (effective December 19, 2019) on a small number of Model Year 2019 - 2020 BMW 3 Series vehicles that were produced between April 2019 and December 2019.

**Please be reminded that it is a violation of federal law (The Safety Act) for you to sell, lease or deliver any new motor vehicle covered by this notification until the recall repair has been performed. This means that centers may not legally deliver new motor vehicles to consumers until they are fixed or use/sell replacement equipment/parts subject to this recall. Note also that substantial civil penalties apply to violations of the Safety Act.**

**Also, you should not sell, lease or deliver any Certified Pre-Owned or used vehicles subject to a safety recall until the repair is completed.**

**Please follow any special instructions that we provide to you for the return or disposition of recall parts.**

We appreciate all your assistance with this Recall.



BMW Group - AIR: 2020-01-09 / 10:19  
Dealer: -/-  
Model: 330I XDR A  
Development code: G20  
Model code: 5R89  
Lead type: 5R83

[Replace rear left upper seat belt »](#)

## Preliminary work

### Disconnecting all battery ground leads



- See additional information.

### Remove rear seat bench



- Disengage the rear seat bench (1) in area (2) in an upward direction.
- Feed out the seat belt buckle (3) from the seat bench.

- Pull the rear seat bench (1) further forward.
- Unscrew the screw (2) on the strap fitting and feed out the safety belt (3).

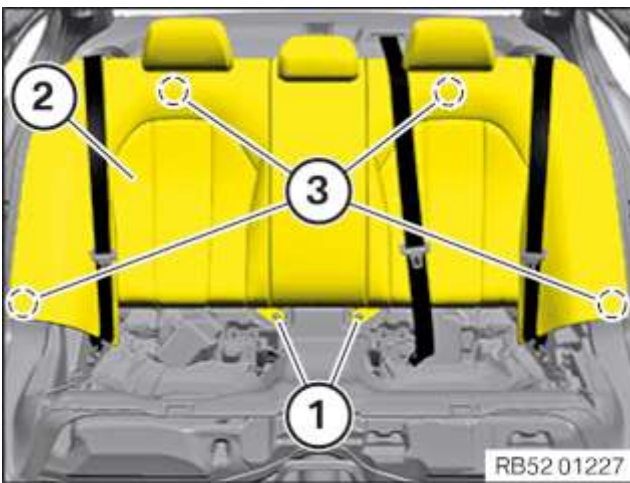
### Note



If a belt lock is available on the safety belt, the screw on the strap fitting does not have to be loosened.

- If necessary, disconnect the present plug connections.
- Lift the rear seat bench (1) out of the vehicle.

### Remove rear seat backrest



- Loosen screws (1).
- Detach the rear seat backrest (2) upwards out of the guides (3).
- Feed out and remove the rear seat backrest (2) from the safety belts.

### Removing both C-pillar trim panels

#### NOTE

Description is for left component only. Procedure on the right side is identical.

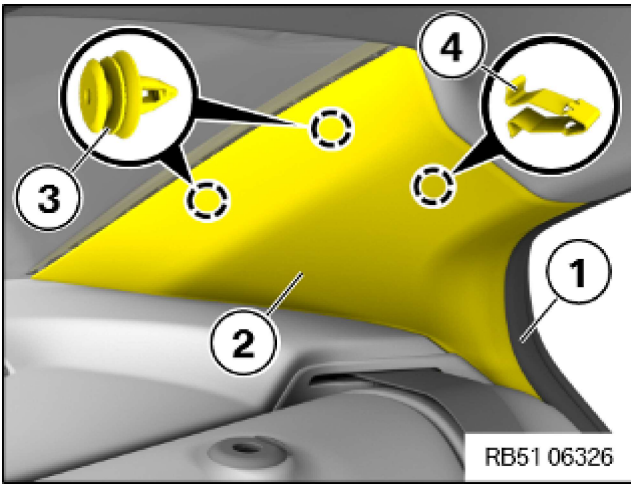
#### ► Removing C-pillar trim panel

#### NOTE

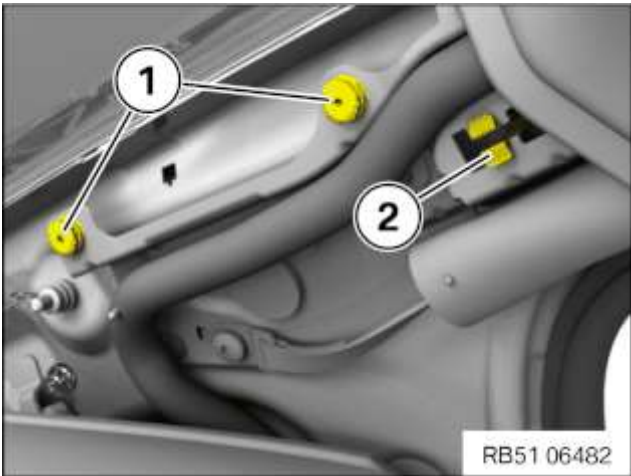
Schematic diagram is for example purposes. Some parts may differ in certain details.

- Unclip the clamp (4).
- Unclip clips (3).
- Guide out the C-pillar trim panel (2) from the guides to the front.





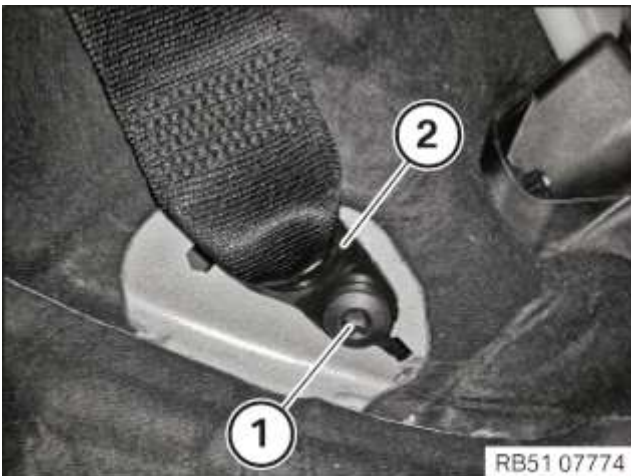
- Feed the C-pillar trim panel (2) out of the lip of edge protection (1).



- If applicable, remove the clips (1) and the clamp (2) and insert on the trim panel.



## Remove the trim panel for the storage shelf



### NOTE

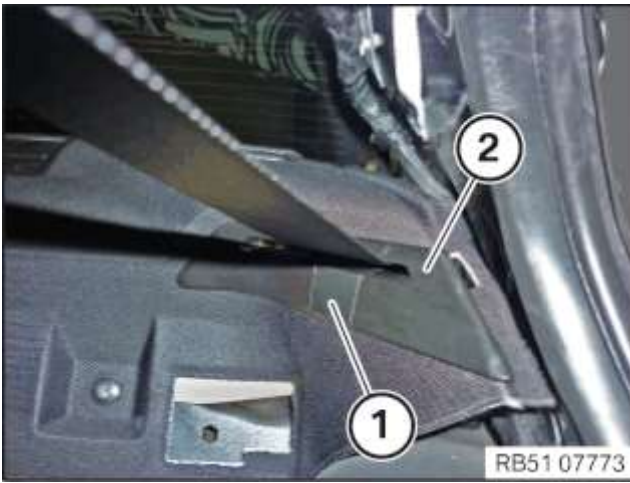
Perform the steps on the right and left side.

- Release the screws (1) on the rear strap fitting (2) at left and right.
- Feed out the rear strap fitting (2) at left and right from the body.

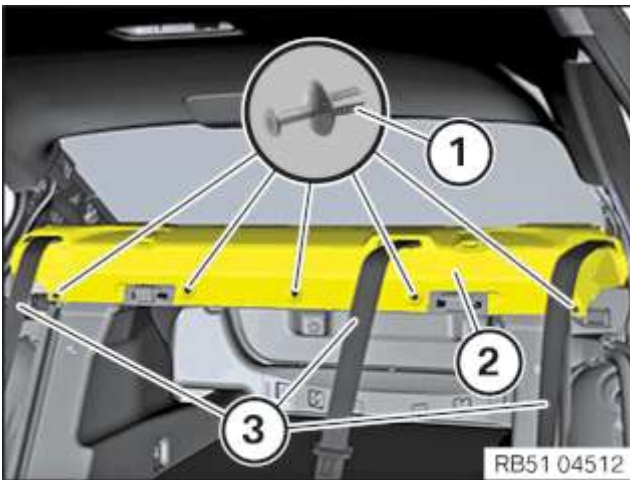


### NOTE

The description is for one component only. The procedure is identical for all further components.



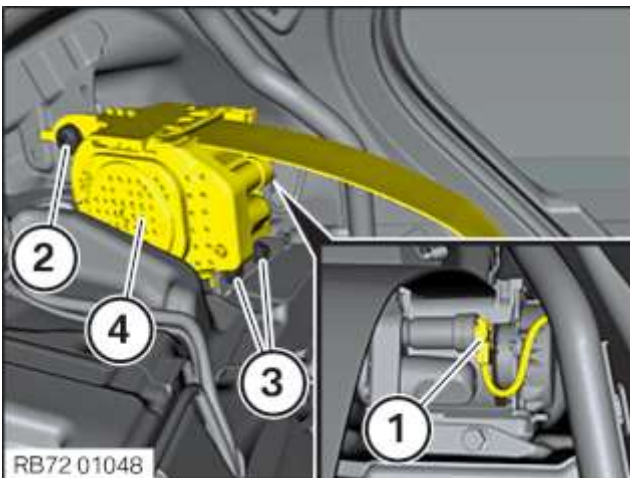
- Unclip the cover (1) towards the front.
- Unclip the seat belt finisher strip (2) forwards starting from the outer and feed out.



- Loosen the expanding rivet (1).
- Lift the trim panel for the storage shelf (2) a little and disconnect the underlying plug connections.
- Remove the trim panel for the storage shelf (2) to the front and feed out the safety belt (3).

## Main Works

### Remove rear upper seat belt

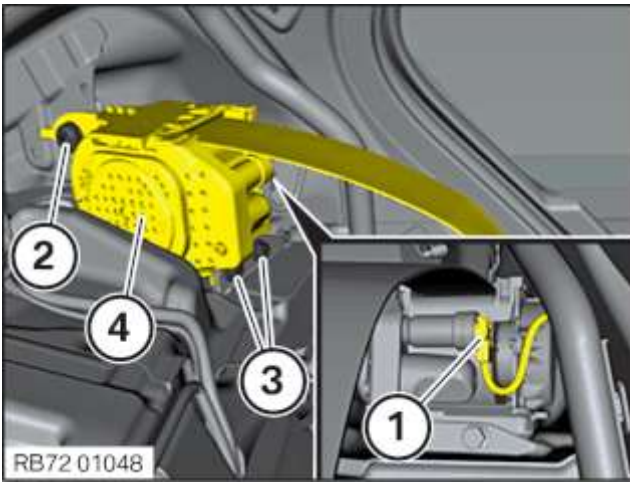


- Unlock plug connection (1) and disconnect.
- Loosen screw (2).
- Loosen screws (3).
- Feed out seat belt retractor (4) towards the front.

### Install rear upper seat belt

#### **i** TECHNICAL INFORMATION

Component is encoded against incorrect assembly.



- Feed in and position the seat belt retractor (4).
- Renew the screw (2).

**Parts:** screw

- Tighten down screw (2).

### Tightening torques

#### Rear seat belt retractor to body

M10  
Renew screw.

42Nm

- Tighten down screws (3).

### Tightening torques

#### Additional connection of rear seat belt retractor to body

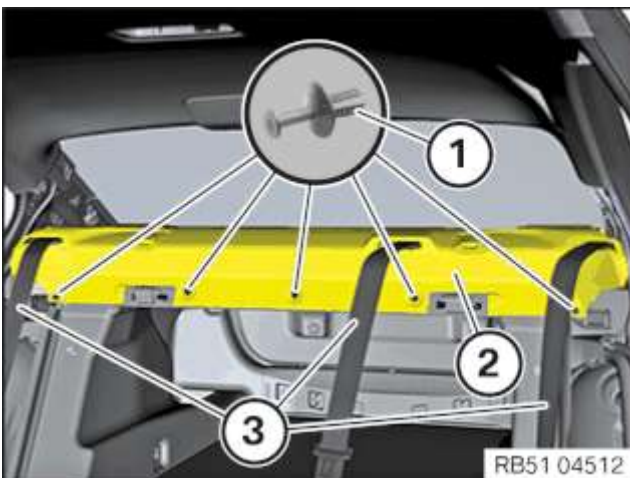
M6

8Nm

- Connect plug connection (1) and lock.

## Follow-up works

### Install the trim panel for the storage shelf

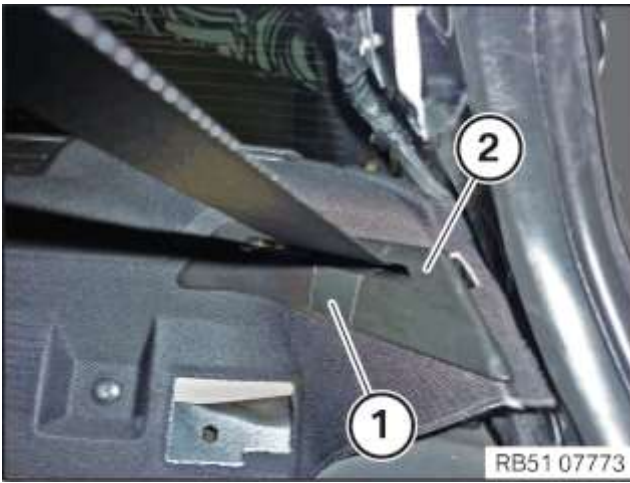


- Install the trim panel for the storage shelf (2) and feed in the safety belts (3).
- Lift the trim panel for the storage shelf (2) a little and connect the underlying connectors.
- Feed in the trim panel for the storage shelf (2) at the rear guide and position it correctly.
- Mount the expanding rivets (1).

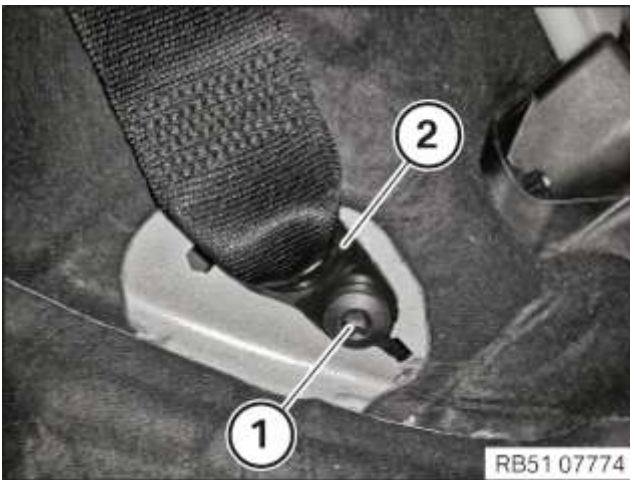


### NOTE

The description is for one component only.  
The procedure is identical for all further components.



- Insert the seat belt finisher strip (2).
- Clip in the cover (1).



## NOTE

Perform the steps on the right and left side.

- Feed the strap fitting (2) at left and right into the body.
- Renew screws (1).

Parts: screw

- Tighten screws (1) on the left and right.

## Tightening torques

### End lining to body

M10  
Renew screw.

42Nm

## Install both C-pillar trim panels



## NOTE

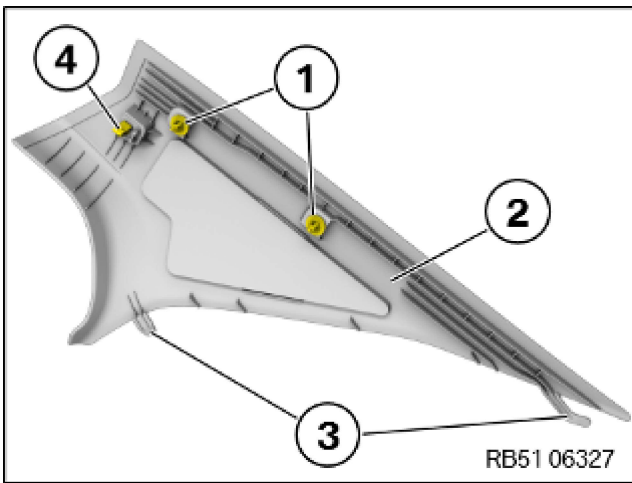
Description is for left component only. Procedure on the right side is identical.

## ► Installing C-pillar trim panel

### Check

- Check the clips (1) and the clamp (4) for damage and renew if necessary.
- Check guides (3) for damage.



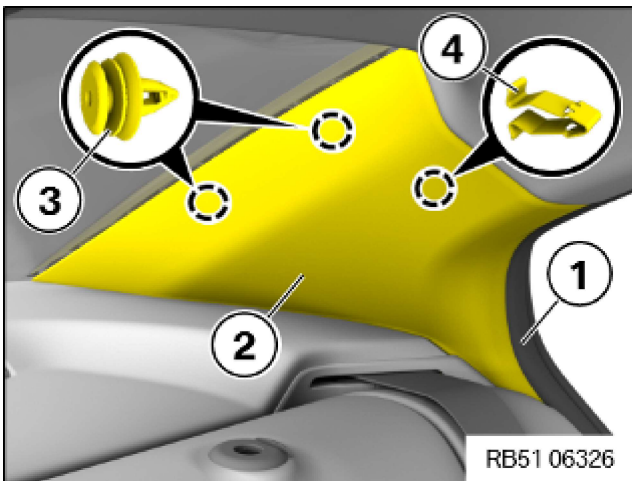


## Result

- » The guide is damaged.

## Measure

- Renew the C-pillar trim panel .



## NOTE

Schematic diagram is for example purposes. Some parts may differ in certain details.

- Thread in C-pillar trim panel (2) in the guides to the rear.
- Clip in clips (3).
- Clip in clamp (4).
- Feed in the C-pillar trim panel (2) under the lip of edge protection (1).



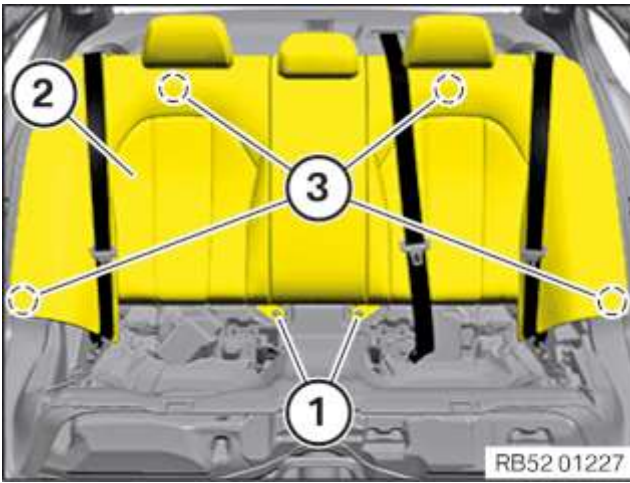
## Remove rear seat backrest

- Guide the rear seat backrest (2) into the safety belt and position it.
- Attach the rear seat backrest (2) in the guides (3) from the top.
- Renew screws (1).

**Parts:** screw

- Tighten the screws (1).

## Tightening torques



### Rear seat backrest on body

screw  
Renew screw.

Tightening torque  
42Nm

### Install rear seat bench



- Lift the seat bench (1) into the vehicle.
- Insert the safety belt (3).
- Renew the screw (2).

Parts: Screw

- Tighten down screw (2).

### Tightening torques

#### Rear upper seat belt to bottom body

Screw  
Renew screw.

tightening torque  
42Nm

- Connect available connectors.
- Insert the rear seat bench (1).
- Insert the seat belt buckles (3) into the rear seat bench.
- Engage the seat bench (1) in the area (2).



### Disconnecting all battery ground leads



- See additional information.



**Serial Number List B720319**

19B086LA0329  
19B128LA0046  
19B136LA0215  
19B141LA0315  
19B154LA0154  
19B154LA0499  
19B154LA0552  
19B172LA0253  
19B179LA0259  
19B184LA0152  
19B192LA0060  
19B210LA0431  
19B212LA1548  
19B213LA0082  
19B214LA0017  
19B220LA0385  
19B232LA0897  
19B233LA1368  
19B235LA0196  
19B235LA0213  
19B242LA0014  
19B246LA0964  
19B246LA0966  
19B247LA0588  
19B247LA0909  
19B247LA0916  
19B247LA0933  
19B247LA0971  
19B260LA0038  
19B261LA0103  
19B261LA0680  
19B261LA1065  
19B267LA0191  
19B268LA1452  
19B268LA1472  
19B268LA1480  
19B268LA1539  
19B268LA1545  
19B271LA0013  
19B271LA0088  
19B271LA0133  
19B271LA0236  
19B273LA0102  
19B273LA0136  
19B273LA0357  
19B274LA0088

19B274LA0117  
19B274LA0146  
19B275LA0170  
19B275LA0562  
19B275LA0779  
19B275LA1042  
19B275LA1304  
19B275LA1306  
19B275LA1316  
19B275LA1319  
19B275LA1320  
19B275LA1326  
19B277LA0209  
19B278LA0006  
19B281LA0460  
19B282LA1676  
19B282LA1690  
19B282LA1697  
19B291LA1077  
19B292LA0273  
19B294LA0892  
19B297LA0533  
19B298LA0335  
19B298LA0349  
19B298LA0361  
19B301LA0276  
19B303LA0493  
19B308LA0383  
19B309LA1776  
19B310LA0995  
19B310LA0997  
19B310LA1000  
19B310LA1003  
19B310LA1004  
19B310LA1005  
19B310LA1007  
19B310LA1008  
19B310LA1010  
19B311LA0001  
19B311LA0518  
19B311LA0519  
19B311LA0626  
19B311LA0628  
19B311LA0630  
19B311LA0631  
19B311LA0632  
19B311LA0634

19B311LA0644  
19B313LA0041  
19B316LA0146  
19B316LA0684  
19B316LA0717  
19B316LA0720  
19B316LA0722  
19B316LA0724  
19B316LA0726  
19B316LA0727  
19B316LA0728  
19B316LA0730  
19B316LA0731  
19B316LA0733  
19B316LA0734  
19B316LA0735  
19B316LA0739  
19B316LA0740  
19B316LA0741  
19B316LA0745  
19B316LA0749  
19B316LA0775  
19B316LA0822  
19B316LA0827  
19B317LA2408  
19B318LA0695  
19B319LA0302  
19B323LA1121  
19B329LA0272  
19B330LA0066  
19B330LA0092  
19B331LA0030  
19B331LA0061  
19B331LA0077  
19B331LA0086  
19B331LA0115  
19B331LA0121  
19B331LA0169  
19B331LA0195  
19B331LA0206  
19B331LA0208  
19B331LA0217

**Rear Seat Safety Belt Retractor  
Safety Recall 19V-912  
Model Year 2019-2020  
BMW 3 Series  
*Last Updated 12/19/2019***

- Q1. Which BMW Group models in the US are potentially affected by this Safety Recall?**  
Certain Model Year 2019-2020 BMW 3 Series sedans produced between April and December 2019 are potentially affected.
- Q2. What is the specific issue?**  
The rear seat safety belt (left or right) may not have been produced to specifications. The pre-tensioning function (“cinching-up” of the belt in a crash) may not work as intended. In a crash, a person in a rear seat position (left or right), could move farther forward and/or experience a larger acceleration, increasing the risk of injury.
- Please note that the belt will still “lock” during a crash.*
- Q3. Why are other BMW Group vehicles not included in this Safety Recall?**  
The rear seat safety belts of other BMW Group vehicles were produced to specifications.
- Q4. How did BMW Group become aware of this issue?**  
BMW Group became aware of this issue through its quality control procedures.
- Q5. Can I determine if this issue exists in my vehicle?**  
No.
- Q6. Can I continue to drive my vehicle (before I receive my letter)?**  
Yes. However, when you receive a letter requesting you to make an appointment to have this Safety Recall performed by an authorized BMW center, please do so as soon as possible. If you are not the only driver of this vehicle, please advise all other drivers of this important information.
- Q7. How will my vehicle be repaired?**  
The affected (left or right) rear seat safety belt will be replaced for free and can take approximately one hour. The rear seat center safety belt is not affected.
- Q8. Is BMW Group aware of any accidents or injuries in the US, involving these BMW Group vehicles associated with this Safety Recall?**  
No.
- Q9. How will I be informed of this Safety Recall?**  
You will receive a letter in February via First Class mail advising you of this Safety Recall and to schedule an appointment with an authorized BMW center to have this Safety Recall performed. You can locate your nearest authorized BMW center at [www.bmwusa.com/dealer](http://www.bmwusa.com/dealer). To ensure the BMW Group has your most recent contact and vehicle information, please register your BMW vehicle at [www.bmwusa.com/myBMW](http://www.bmwusa.com/myBMW). Registration is free, and will give you access to factory initiated campaigns and other information specific to your vehicle.
- Q10. Do I have to wait for my letter to have my vehicle serviced?**  
Yes. BMW is in the process of ensuring that the necessary tools, parts, and procedures are available prior to contacting you to schedule an appointment with your authorized BMW center to have this important Safety Recall performed. For the latest updates to this Safety Recall, please visit [www.bmwusa.com/recall](http://www.bmwusa.com/recall).