



SAFETY BULLETIN

Release Date: December 12, 2019

SLI

Communication #: T-19-02

Model Year(s): 2019

— Confidential and Proprietary —

VERSION: R01 (December 12, 2019)

IMPORTANT STOP SALE SAFETY NOTICE!

Stop selling affected vehicles immediately until the repair procedure has been completed on affected units at your dealership. Federal law prohibits the sale of products subject to a recall. Selling such products could subject the seller to substantial penalties.

IMPORTANT

If you are working with a printed copy, please verify you have the most current version of this document.

SUBJECT: 10A CIRCUIT BREAKER REPLACEMENT PURPOSE

Polaris Slingshot has identified some 2019 vehicles built from 2/12/2019 through 7/31/2019 may have 10A circuit breakers that do not meet quality standards. Affected circuit breakers do not meet functional specifications and may cause an engine to unexpectedly stop running, increasing the risk of a crash.

To address this concern, Polaris is instructing dealers to replace the 10A circuit breakers installed in affected vehicles, as outlined in the repair instructions.

AFFECTED MODELS

MODEL YEAR	MODELS	VEHICLE IDENTIFICATION NUMBER RANGE
2019	S / SL / SLR / GT	Reference Unit Inquiry on the dealer website or the Service Communications list on the STOP site to lookup affected VINs.

CUSTOMER NOTIFICATION

Dealers are required to review their sales records and make arrangements with customers for Bulletin completion. In addition to consumer units, dealers are required to correct any affected units in their inventory. Polaris will be mailing a notification letter to consumers affected by this Bulletin. Any updates regarding customer notifications will be communicated with a revision to this bulletin document.

WARRANTY CLAIM PARTS INFORMATION

Bulletin parts are excluded from the standard RMA policy and cannot be returned. An Initial Recommended Order Quantity has been provided for this bulletin. Use Quantity Ordered to Date and the Open VIN List from the STOP site to determine an order amount that's right for your dealership. For more details, refer to University of Polaris training course "Polaris Item Availability and Daily Ordering" and click on "Bulletin Ordering Training".

2019 SLINGSHOT	
Bulletin #	T-19-02
Claim Type	SB (Service Bulletin)
Labor Allowance	0.2 hours (12 minutes)
Part Number / Description	4011371 (QTY 2) BREAKER-CIRCUIT,10 AMP
Parts Availability	Available to order
University of Polaris Video Training Required	Yes ¹

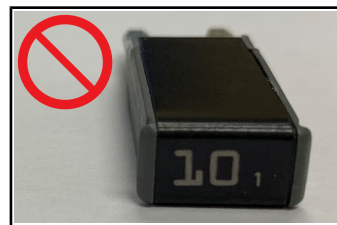
¹Polaris requires one person from a dealership to be certified before parts ordering may occur and warranty claims may be processed.

INVENTORY / STOCK PART CLAIMS

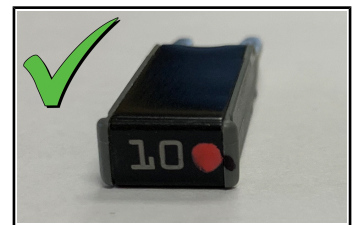
Dealers should review their service parts inventory and ensure the following service parts are **NOT** used:

- 4011371

NOTICE
To aid in verification, a red dot has been placed on validated service parts. Any circuit breaker in service parts inventory without a red dot should not be used, and should be returned via part stock warranty claim.



Bad Service Part



Validated Service Part

NOTICE
To remove these service parts from circulation, file a parts stock claim as directed below.

Use the following process for filing a PART STOCK warranty claim for any of the parts listed above.

1. Start a new Part Stock warranty claim.
2. Select Product Line: SLI
3. Enter today's date into the Date Failed and Date Repair information fields
4. Enter T-19-02 into the CONCERN field.
5. Enter T-19-02 into the CAUSE field.
6. Enter T-19-02 into the CORRECTION field.
7. Enter the part number and quantity.
8. Enter warranty fail codes: 127/130/132
9. Validate the parts.
10. Save and submit the claim to Polaris.

ACCESSORY LABOR

Polaris will cover labor for the removal and installation of accessories required to complete the bulletin work. Follow the steps below to obtain reimbursement.

For accessory removal and installation labor:

1. Start a new Ask Polaris Case, Service & Warranty Question > Authorization: Non-Cosmetic & Polaris ESC or Authorization: Out of Warranty.
2. Enter your contact information and VIN, along with miles and hours into the applicable fields.
3. Enter T-19-02 in the CONCERN and CAUSE fields. In the CORRECTION field, enter "ACCESSORY REMOVAL AND INSTALLATION".
4. Enter warranty fail codes 127/130/132.
5. Add part 0000541, quantity 1.
6. Attach photos of the vehicle and accessories sufficient to support the labor time requested.
7. Submit the case to Polaris.

BULLETIN CONTACT LIST & SCHEDULING TOOL

A scheduling tool is available for dealers to keep a record of customers contacted and scheduled for this bulletin. This optional tool provides visibility for your dealership and will be helpful to track the status of scheduled service. For more information, log in to <http://www.universityofpolaris.com>.

COVERAGE PERIOD

Coverage will begin on December 12, 2019. This bulletin has no expiration date.

PARTS RETURN / DISPOSAL INFORMATION

Under no circumstances shall the parts removed be re-used, sold, or re-purposed for another application. It is your dealership / distributor's responsibility to make sure every part replaced (related to this communication) is taken out of circulation and disposed of properly or returned to Polaris (if required).

FEEDBACK FORM

A feedback form has been created for the technician to provide Polaris with an overall satisfaction rating for the instructions, provide comments on your experience or upload pictures/video. This feedback form is viewable on a mobile device by scanning the QR code or by clicking [HERE](#) if viewing this document electronically.



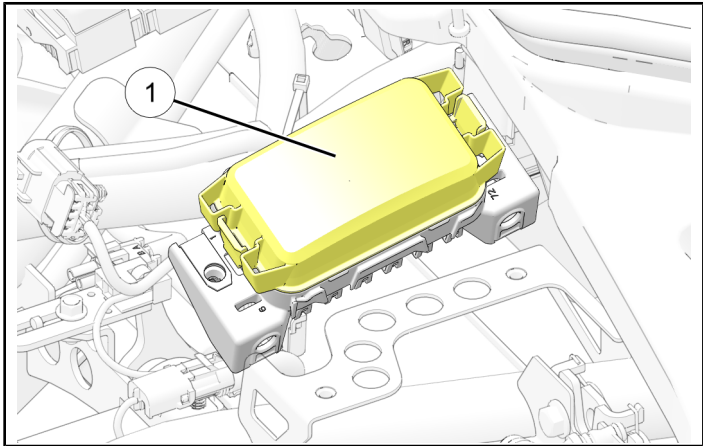
REPAIR PROCEDURE

1. Park the vehicle on a level surface and engage the parking brake. Turn key to "off" position and remove from vehicle.

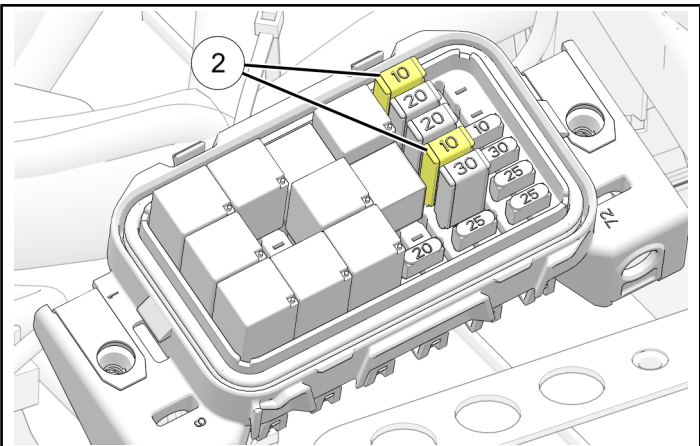
IMPORTANT

Before proceeding, ensure the parking brake is engaged and the key has been removed from the ignition.

2. Disengage the hood latch and open hood. Reference page 38 of the owner's manual.
3. Remove the fusebox cover ① by depressing the two tabs and pulling up.

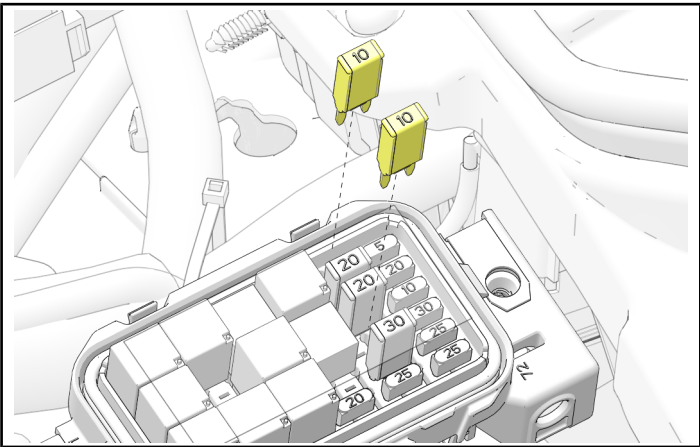


4. Identify the two 10A breakers ② (marked ECM 10A BRKR and IGNITION 10A BRKR in the fusebox cover legend).



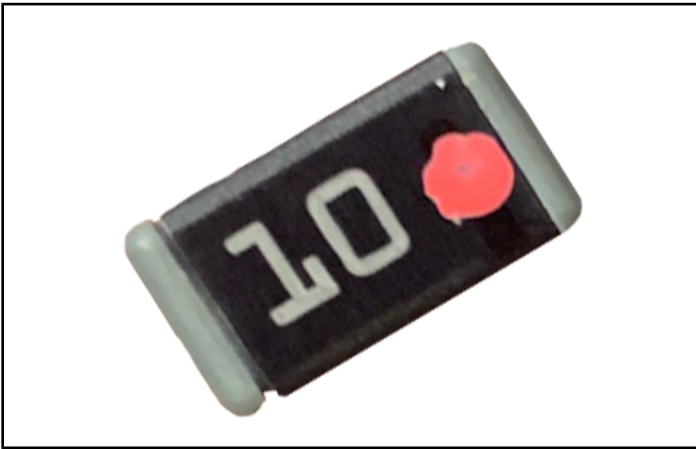
ECM 10A BRKR					
POWERTRAIN RELAY	STARTER RELAY	PRIMARY LIGHTS RELAY	EPAS RELAY	ECM 10A BRKR	GAUGES 5A FUSE
				POWERTRAINTS / HORN 20A BRKR	20A FUSE
FUEL PUMP RELAY		TURN SIGNAL RELAY	AUX LIGHTS RELAY	FAN 20A BRKR	FUEL PUMP 10A FUSE
				IGNITION 10A BRKR	EPAS 30A FUSE
COOLING FAN RELAY	ACCESSORY RELAY	HORN RELAY		PRI LIGHTS 30A BRKR	RADIO 25A FUSE
			AUX LGHT 20A FUSE	ABS 25A FUSE	ACCESSORY 25A FUSE
IGNITION 10A BRKR					

5. Remove two 10A breakers and discard.



The information contained within this document is confidential and protected by U.S. and international copyright laws, and is the property of Polaris Industries. This document is provided for the sole use of authorized Polaris dealers and distributors. This document is not to be distributed, duplicated, or copied, digitally or otherwise, without the written consent of Polaris Industries Inc.

6. Verify replacement breaker has red paint dot on it.



7. Install two replacement 10A breakers.

8. Install fusebox cover.

IMPORTANT

Listen for audible click during cover installation.

9. Close the hood.

10. Insert key and turn to the "on" position but do not start the engine. Check the function of vehicle lighting and gauges. Start the engine to ensure normal operation and that no warning lights are present in cluster.

11. File bulletin T-19-02.