



Tow Pole Bolts Rework

Log Splitter

Mandatory Rework

Bulletin Type Safety Alert

Status Final Release

Affected Units	Model Number(s)	Serial Number(s)
	22618	401012667 to 401012690, 401012693, 401012697, 401012702 to 401012704, 402770899, 402770902 to 402770916, 403422597, 403422599, 403422600, 403422602, 403422605, 403422607, 403422609 to 403422612

Exempt Units	Model Number(s)	Serial Number(s)
	22618	402770908, 402770909, 403422598

Distribution For Dealer and Customer Bulletin only

Situation Immediate Attention Necessary

There are reports of tow pole bolts loosening or breaking due to impact or rough road conditions.

The current 2 tow pole bolts are grade 5 bolts, torqued to 101 N·m (75 ft-lb). We are upgrading them to grade 8 bolts and increasing the bolt torque specification.

It is a violation of Federal law to lease any of the Log Splitters covered by this notice until the vehicle is repaired in accordance with the instructions in the Service Bulletin.

Corrective Action Rework

Ensure that the existing Grade 5 tow pole bolts and nuts are torqued to 101 N·m (75 ft-lb) before any rental until you receive and install the new Grade 8 bolts.

Refer to the attached instruction sheet for the hardware installation process and torque when you receive the new bolts.

Please complete repairs by January 1, 2020.

Safety Awareness

Follow reasonable and customary safety precautions.

Parts

Currently available

Part Number	Part Description	Quantity Per Machine
100-6116	Bolt (1/2 x 1-1/2 inches)	2
99-5107	Locknut (1/2 inch)	2

Parts Retention

Retain bulletin warranty parts for 90 days.

Returned Goods Authorization (RGA)

Standard

Required Tools

1/2 inch drive torque wrench

Warranty

Mandatory Rework

SRT Code

Qty	Operation	SRT	Labor	Damage Code
1	Replace and torque the tow bolts	672-RB-001	0.20	80

Claims must be submitted using the "Campaign" claim type.

Click on the link below or scan the QR code to view a 3-minute video showing how to file a PRW campaign claim.

[Filing a Campaign Claim](#)



Transportation

Not included.

Talking Points

Not applicable.

References

Not applicable.

Service Instructions

Replacing the Tow Bolts

1. Park the machine on a level surface and shut off the engine.
2. On 1 side of the pole, remove the bolt and nut, then install a grade 8 bolt and nut (Figure 1). Do not torque the bolt.

Important: Replace the bolts 1 at a time.

3. Repeat step 2 for the other side of the pole.
4. Using a 1/2 inch torque wrench with a 3/4 inch socket and a 3/4 inch wrench, torque the 2 bolts to 142 to 157 N·m (94 to 116 ft-lb).

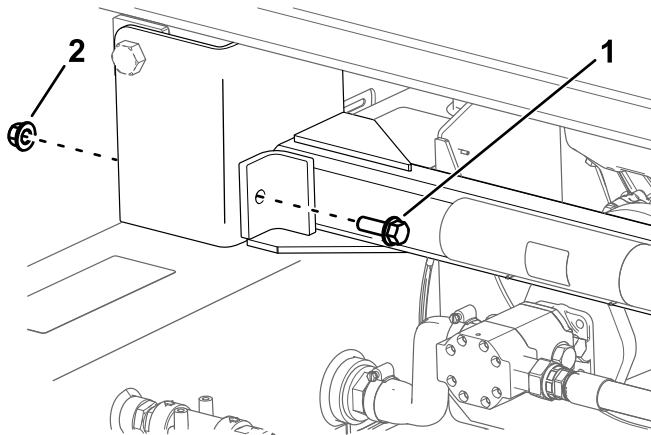


Figure 1

1. Bolt (2)

2. Nut (2)