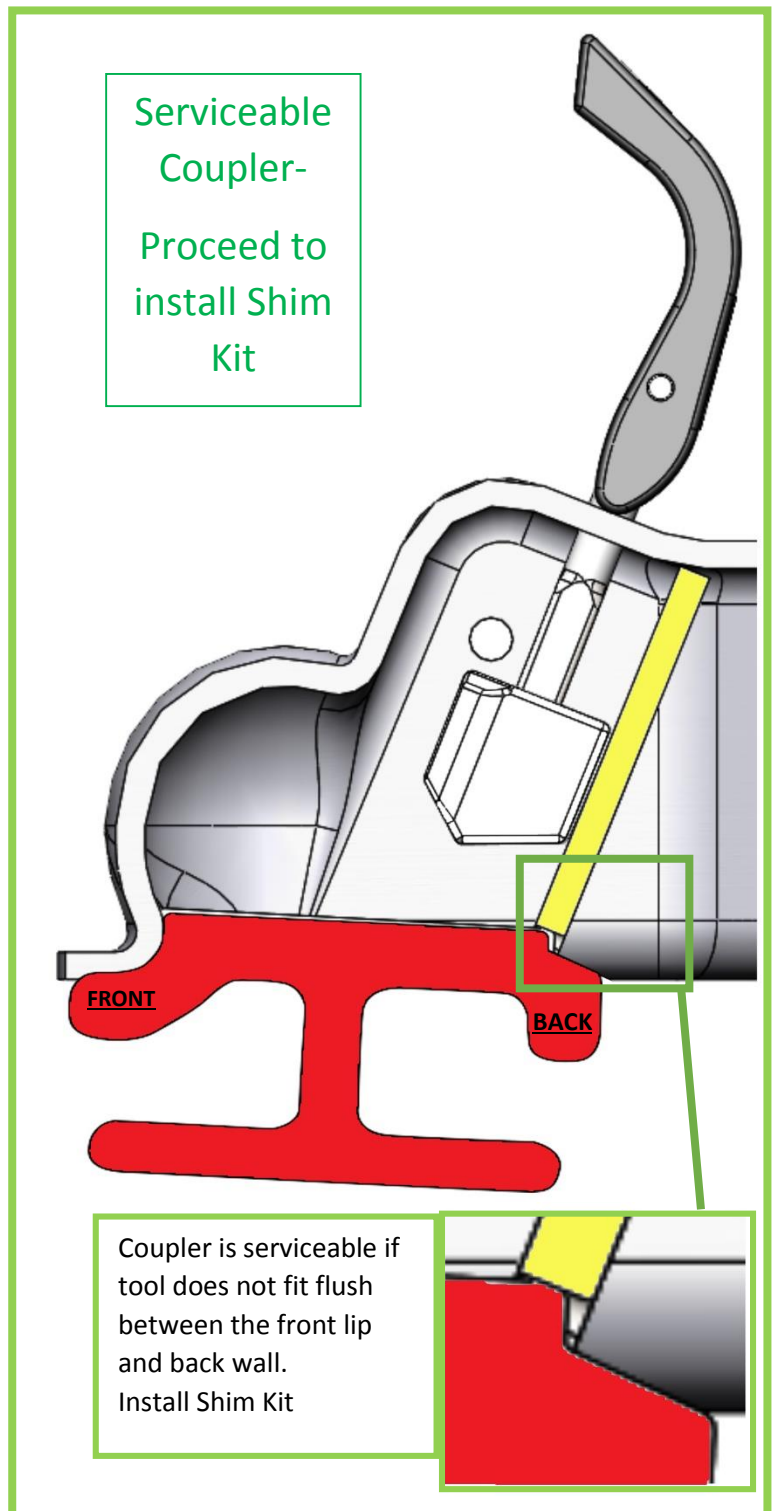
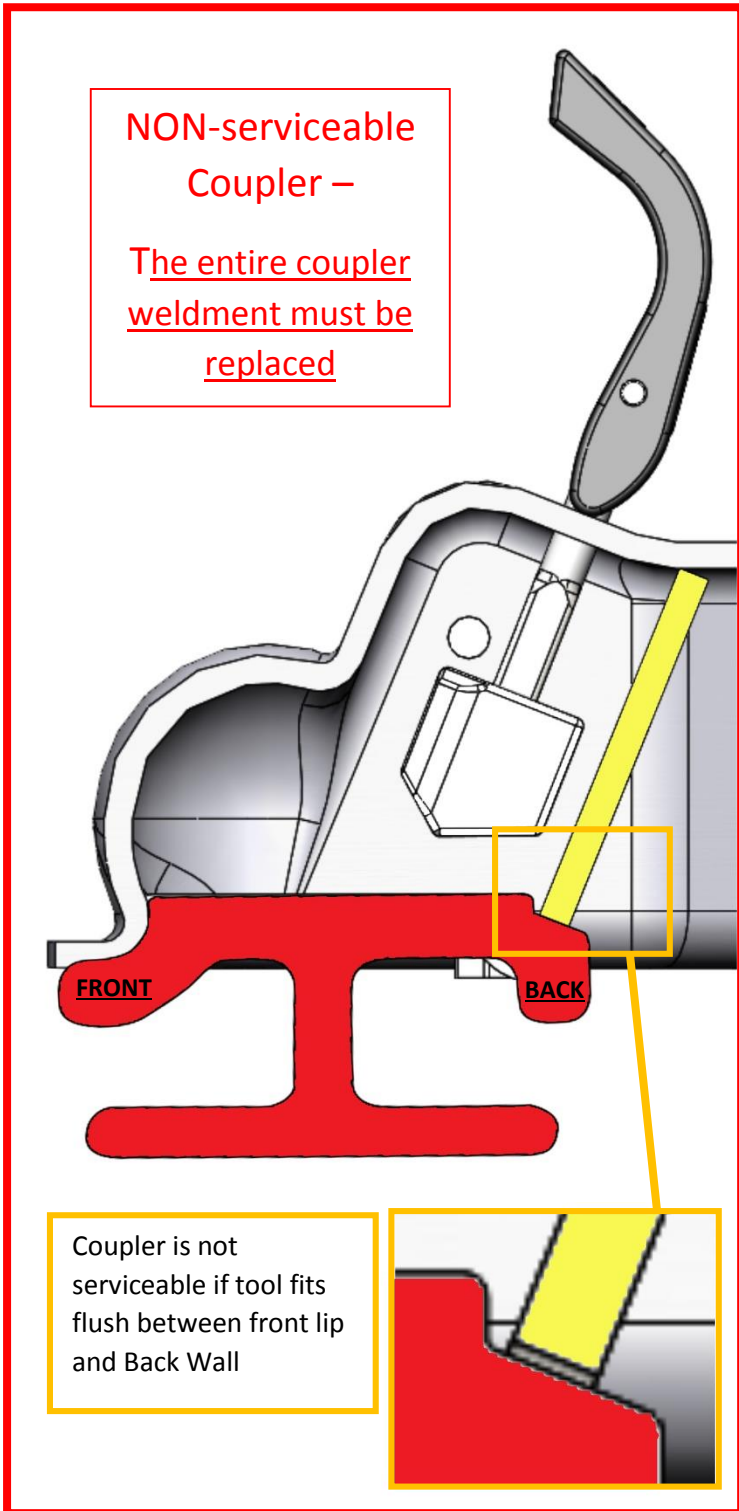


DEMCO

Coupler Service Limit Gauge

Step 1 - Lift Latch Handle.
The coupler must remain in the open position to test.

Step 2 – Insert the tool into the Ball socket, with front of the tool being pressed firmly into the lip of the coupler first.



Coupler quick check tool instructions

NOTE – Coupler Tool
must be orientated in
the center of the
Coupler socket

