

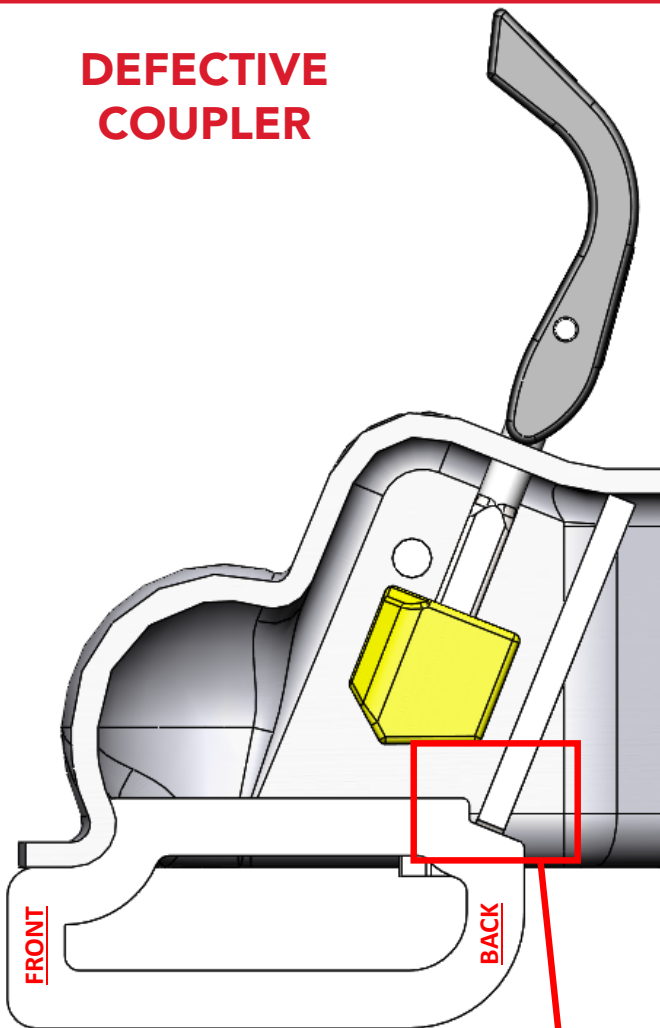
DEMCO

COUPLER QUICK CHECK TOOL INSTRUCTIONS

Step 1 - Lift Latch Handle. the coupler must remain in the open position to test.

Step 2 - Insert the tool into the ball socket. Make sure the front of the tool is being pressed firmly into the lip of the coupler.

DEFECTIVE COUPLER

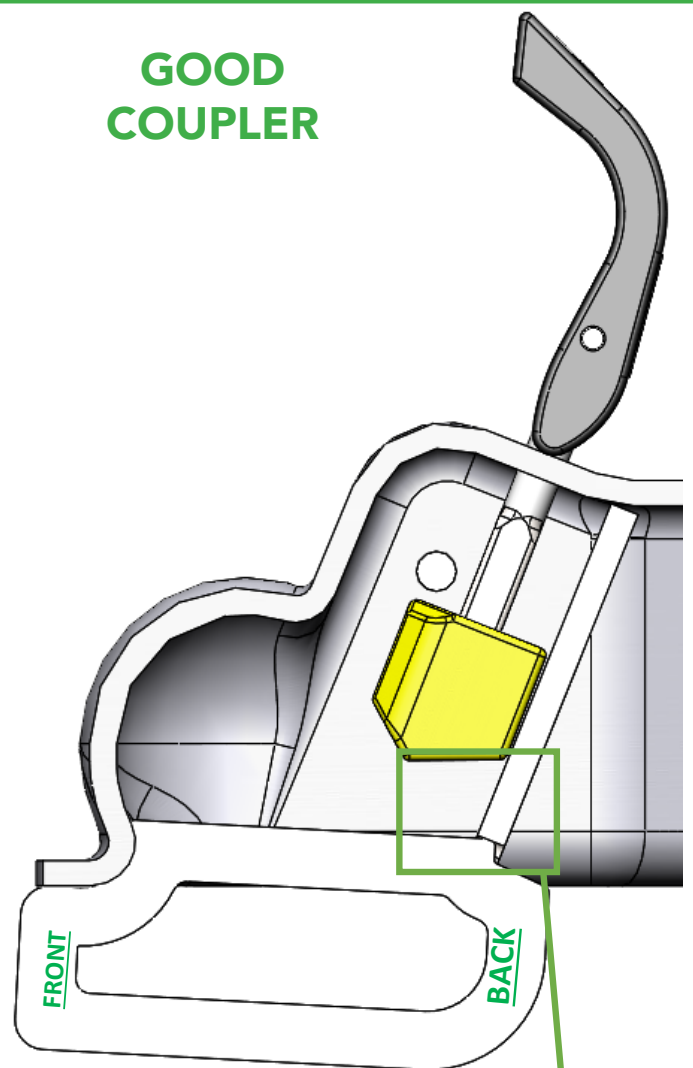


Coupler fails if tool fits flush between front lip and back

FAIL



GOOD COUPLER



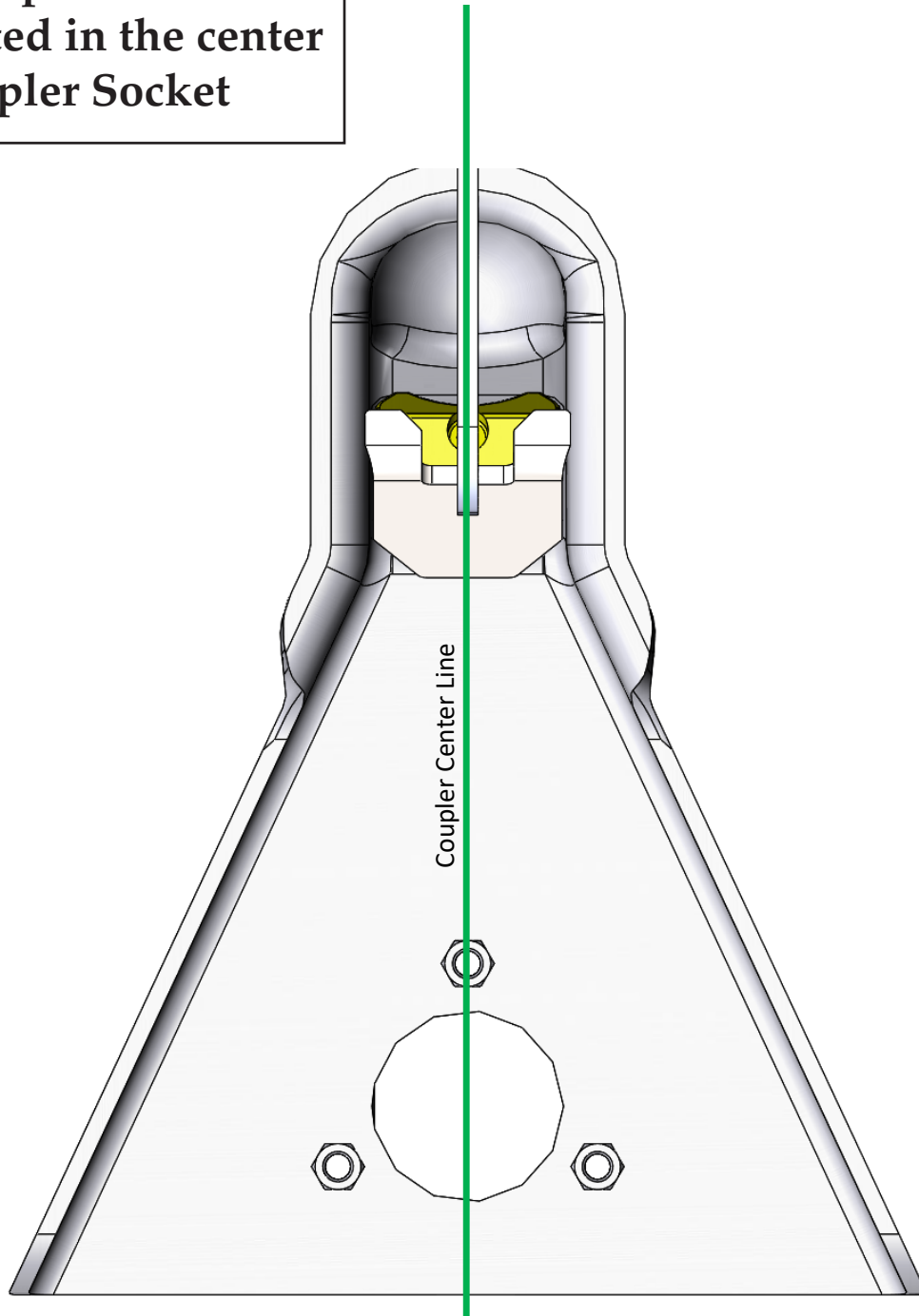
Coupler passes if tool does not fit flush between front lip and back

PASS



COUPLER QUICK CHECK TOOL INSTRUCTIONS

NOTE: Coupler Tool must be orientated in the center of the Coupler Socket



WI00877 10/15/19 Rev 0

DEMCO

Doing Our Best to Provide You the Best

for more information visit www.demco-products.com
or email sales@demco-products.com

