



IMPORTANT SAFETY RECALL 19V-740

This Notice applies to your vehicle (VIN)

Introduction: This Notice is sent to you in accordance with the requirements of the National Traffic and Motor Vehicle Safety Act. 49 C.F.R. § 577.5 (b).

Voyager Industries has decided that a defect which relates to motor vehicle safety exists in certain Yetti Angler; Grand Escape; and Traxx fish houses.

Why is your Vehicle being recalled? These units have a condition in which a safety retainer clip may be missing from the spindle nut. If the clip is missing, over time the spindle nut may loosen and allow the hub and wheel to fall without warning. If the spindle nut loosens or falls off, the wheel may come off the axle assembly, increasing the risk of a crash

What will we do? Voyager Industries will supply at no charge, any missing safety retainer clips. These clips are easily installed with instructions provided with the clips. If you are uncomfortable installing these clips, please contact us and we will arrange for this repair at your location. The repair will take less than 30 minutes.

What should you do? Do not transport your unit until you inspect your wheel assembly(s). Contact Voyager Industries directly for assistance. You may be eligible to receive reimbursement for out of pocket expenses paid to have the safety clips repaired or replaced before receiving this letter. To receive reimbursement, contact Voyager Industries.

Warranty Process Voyager Industries will schedule an appointment to have a service technician visit your location to install any missing clips. Call Voyager Industries directly @ 1-800-980-4940. Indicate that you are calling regarding Yetti TSB-011.

The following information will be required

- Customer Name and Contact Information
 1. Ship to address
 2. Phone Number
- Yetti VIN #

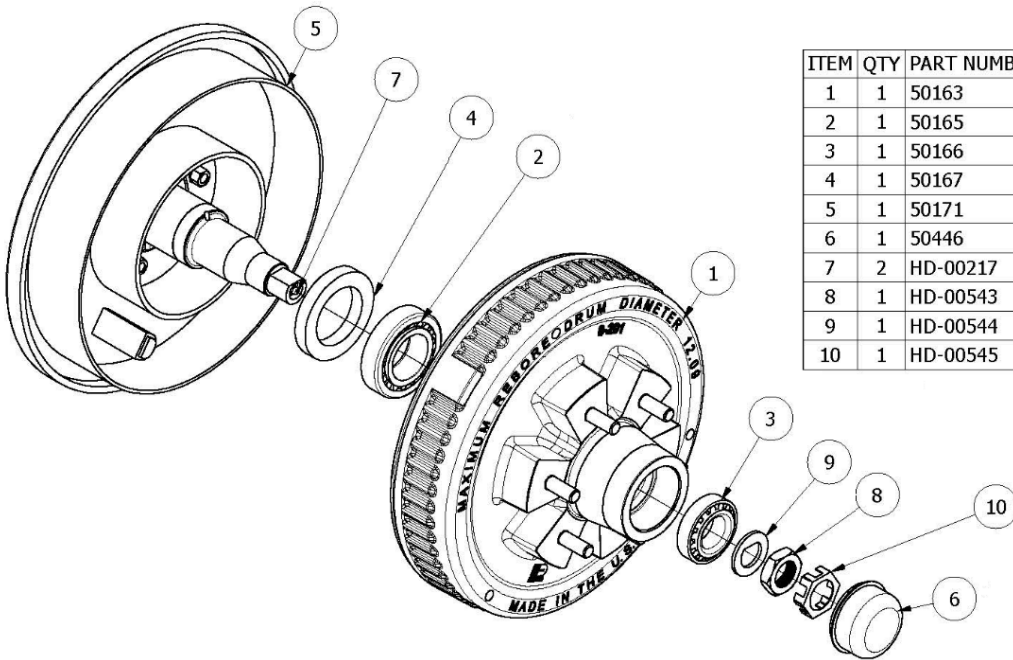
If after contacting Voyager Industries, you are not satisfied we have done our best to remedy this condition without charge and within a reasonable time, you may wish to write the Administrator, NHTSA, 1200 New Jersey AVE., SE., Washington, DC 20590, or call toll-free Vehicle Safety Hotline at 1-888-327-4236 (TTY 1-800-424-9153), or go to <http://www.safercar.gov>.

The National Highway Traffic Safety Administration Campaign ID Number for this recall is #19V-740

Action:

Visual inspection for retainer clip *Note: wheel's do not need to be removed*

1. Remove the wheels center cap and then the rubber cap from the dust cover
 - Use a flat tip screwdriver or equivalent tool as shown below
2. Visually verify that the retainer clip is installed
3. Reinstall rubber cap and wheel center cap



ITEM	QTY	PART NUMBER	DESCRIPTION
1	1	50163	HUB, BRAKE
2	1	50165	BEARING, BIG, 1.75 I.D.
3	1	50166	BEARING, SMALL, 1.25 I.D.
4	1	50167	BEARING, WHL SEAL 2.25 I.D.
5	1	50171	ELEC BRK 12'X2" LH DEX
6	1	50446	DUST COVER, EZ LUBE
7	2	HD-00217	GREASE, FIT 1/4-28 MALE /ZINC
8	1	HD-00543	HN-1-14/SPINDLE NUT
9	1	HD-00544	FW-1 X 1.76 OD/ D WASHER
10	1	HD-00545	RETAINER, SPINDLE CLIP