



Thomas Built Buses Seat Foam Recall Information Sheet

Thomas Built Buses recently reported and notified the National Highway Safety Administration (NHTSA) of a voluntary non-compliance recall on School Buses equipped with certain Syntec seats. Certain areas on the seat back may not meet the knee impact requirements of NHTSA's Federal Motor Vehicle Safety Standard (FMVSS) 222. These areas are located at the lower outer edges of the seat back. Out of an abundance of caution Thomas Built Buses reported a voluntary non-compliance recall.

An increased risk of injury may be present during certain frontal impact events if an unrestrained passenger's knee strikes certain portions of the seat back surface area relative to the rest of the seat back. All other areas of the seat back meet the FMVSS 222 knee impact requirements.

During testing for compliance to FMVSS 222; section S5.3.2.2 it had been determined that the resulting force at certain locations in the proximity of the seat frame exceeded the specified requirement. Following these performance requirements, this recall has been initiated to address and remedy the affected population of Syntec seats as specified in the standard.

Thomas Built Buses has filed this recall in accordance with the NHTSA rules and procedures.

FAQ

- **Can we say it is a voluntary recall?**
 - Yes, this is a voluntary recall for a potential non-compliance with an FMVSS 222 performance requirement.
- **Can we define the impact to be the knee, and low likelihood of severe injury?**
 - An increased risk of injury may be present during certain frontal impact events if an unrestrained passenger's knee strikes certain portions of the seat back surface area, located at the lower outer edges of the seat back in the proximity of the seat frame, relative to the rest of the seat back. All other areas of the seat back meet the FMVSS 222 knee impact performance requirements.
- **Do we down the buses/Can we tell them we do not recommend grounding vehicles?**
 - According to NHTSA's 2018 Recall Annual Report, in calendar year 2018 there were 914 vehicle recalls reported to NHTSA. Those recalls affected 29,317,530 vehicles. NHTSA has the authority to make a "do not drive" warnings on recalls. "Do not drive" warnings are rare and are reserved for recalls that represent an elevated risk of severe injury or death. At this time, NHTSA has not made a "do not drive" warning with this recall.

- ***Can we tell customers only a small portion of the surface area is non-compliant?***
 - The affected area is at the lower outer edges of the seat back in the proximity of the seat frame. All other areas of the seat back meet the FMVSS 222 knee impact performance requirements.

- ***Is my bus safe?***
 - School buses are statistically the safest means of transportation on the road. According to the American School Bus Council, students are about 70 times more likely to get to school safely if they take the school bus instead of traveling by car.

- ***Does the seat have exposed steel?***
 - No, there is no exposed steel. The impact absorption material in the seat back may not provide as much impact protection as is required by FMVSS 222 in certain locations at the lower outer edges of the seat back in the proximity of the seat frame.

- ***Is this a safety issue/How big is the safety risk?***
 - In certain frontal impacts, an increased risk of injury may be present if an unrestrained passenger's knee strikes certain portions of the seat back surface area located at the lower outer edges of the seat back, relative to the rest of the seat back. All other areas of the seat back meet the FMVSS 222 knee impact performance requirements.

- ***What is the fix?***
 - Additional impact absorption material will be added to the seat back.

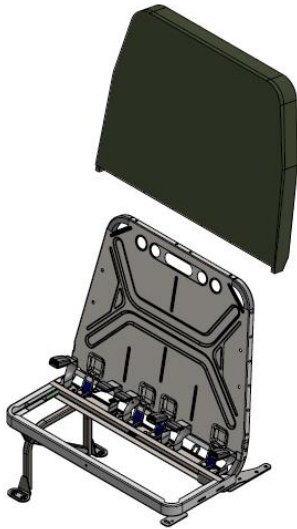
- ***When will my bus be fixed?***
 - Thomas Built Buses and Syntec Seating solutions are working as quickly as possible to develop the field repair and procure parts to release the recall repair.

- ***Will you send me something in writing that says I am safe?***
 - This is a voluntary recall for a potential FMVSS non-compliance. Thomas Built Buses has filed this recall in accordance with the NHTSA rules and procedures.

- **How do we know if my bus is involved?**

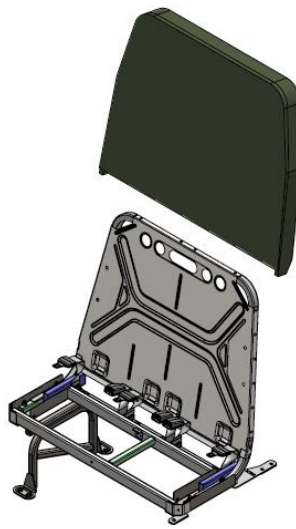
- Bus owners will be notified by mail beginning no later than December 2, 2019.
- Model year 2014 through 2020 Thomas Built Buses are potentially affected. Only certain Syntec S3B and S3C model seats are affected. No seats with 3 point seat belts or integrated child restraints are affected. The images below can be used to determine which seats are affected.

Affected



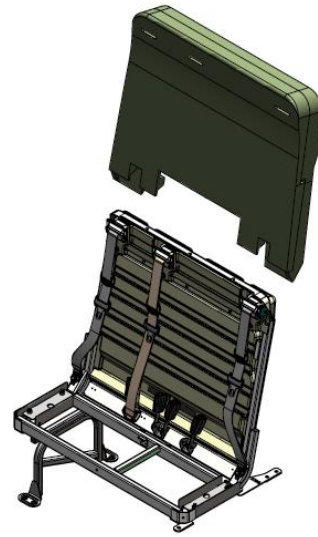
S3B

Affected



S3C- RTR
S3C seats with no
seatbelts or lap
belts only

Not Affected



S3C- Square Tube
S3C seats with 3
point seat belts or
child restraints