

Awnings
Repair instructions

EN

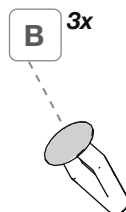
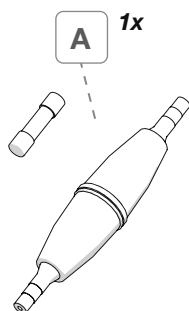


KIT UPGRADE F45eagle

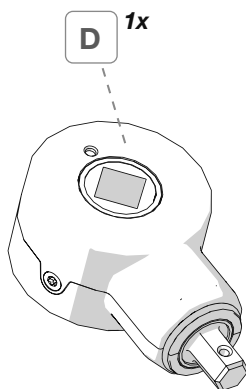
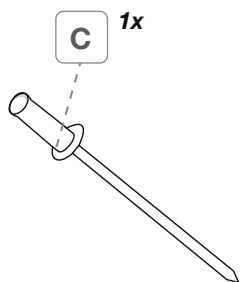
98655A017



PACKAGE CONTENTS



- A. Fuse holder
- B. Plastic rivet
- C. Aluminium rivet
- D. New winch (grey)



Package contents / Necessary tools

p. 2

Installation instructions

p. 4

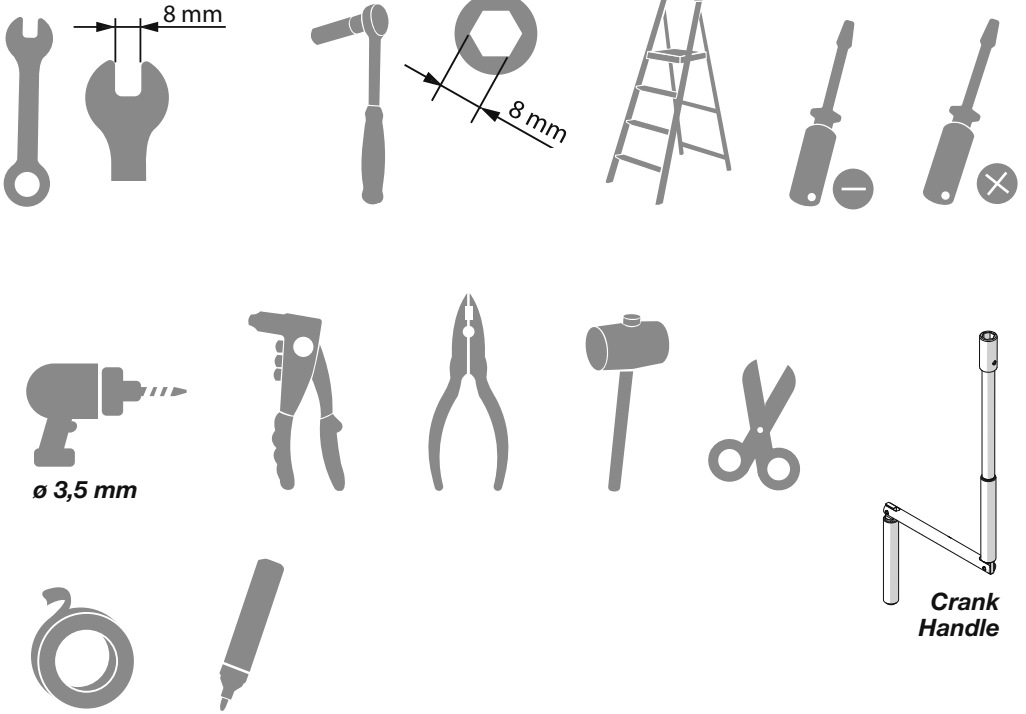
Safety instructions

p. 19

Warranty

p. 19

NECESSARY TOOLS



Characteristics	
Power Supply	12 V
Absorption	12 A
Absorbed power	144 W
Protection fuse	T 6,3A L 250V



VIDEO TUTORIAL



<https://www.fiamma.it/videotutorial/f45>

Check that nothing has been damaged or deformed during shipping. In the event of doubts or questions concerning the installation, use or limitations of the product, contact the dealer. We recommend that the installation is carried out by qualified personnel and in compliance with current local regulations.

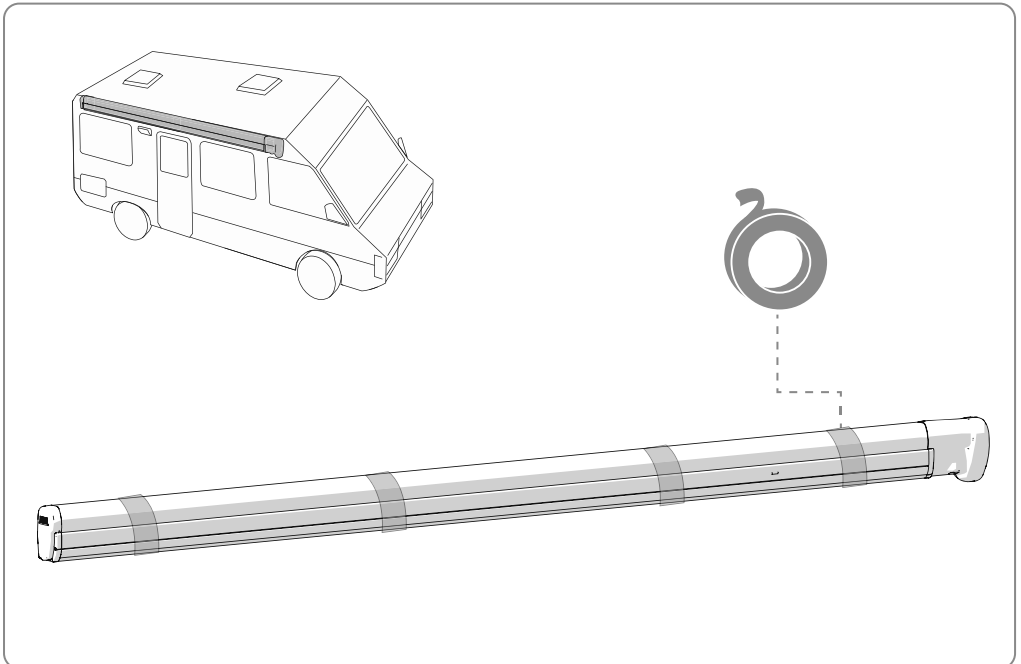
WINCH REPLACEMENT

1

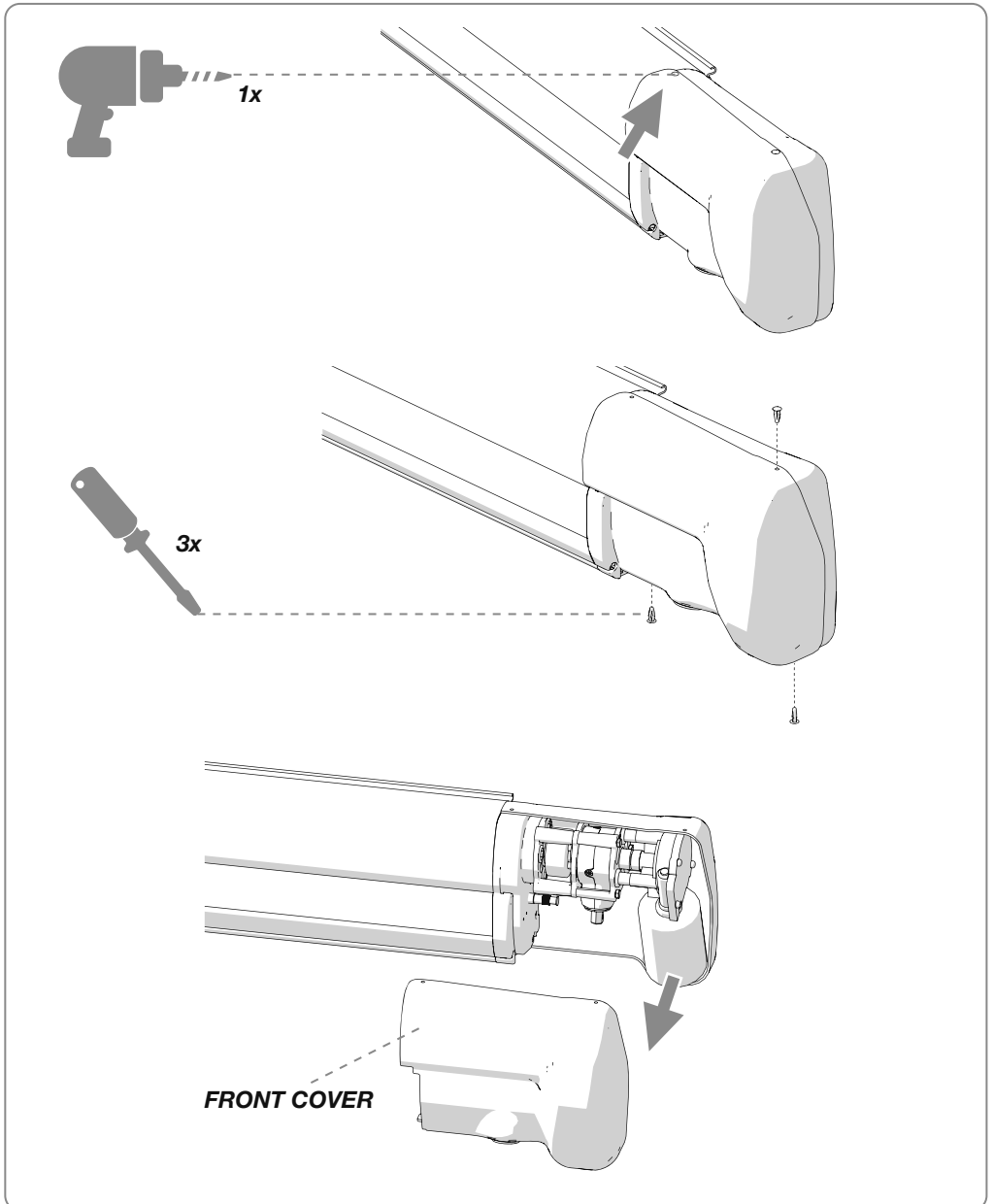
Warning: before starting, when the awning is closed, remove the 12 Volt power supply

2

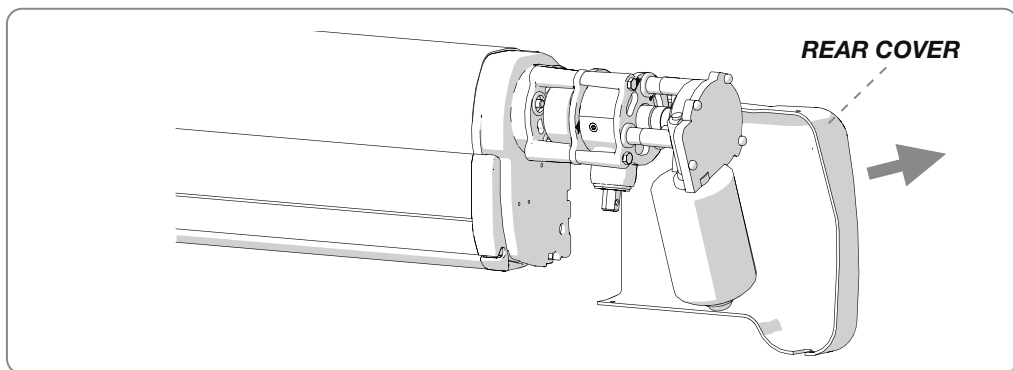
Install fasteners or safety belts, or alternatively, keep the lead bar closed with adhesive tape (removable). The operation of the winch replacement can be carried out either with closed awning, but with safety fasteners, or with the awning open. We recommend performing the repair with the awning closed as it makes, the next operations for centring the winch easier. If adhesive tape is used, position it so that it adheres well to the aluminium (pulling the lead bar does not move).



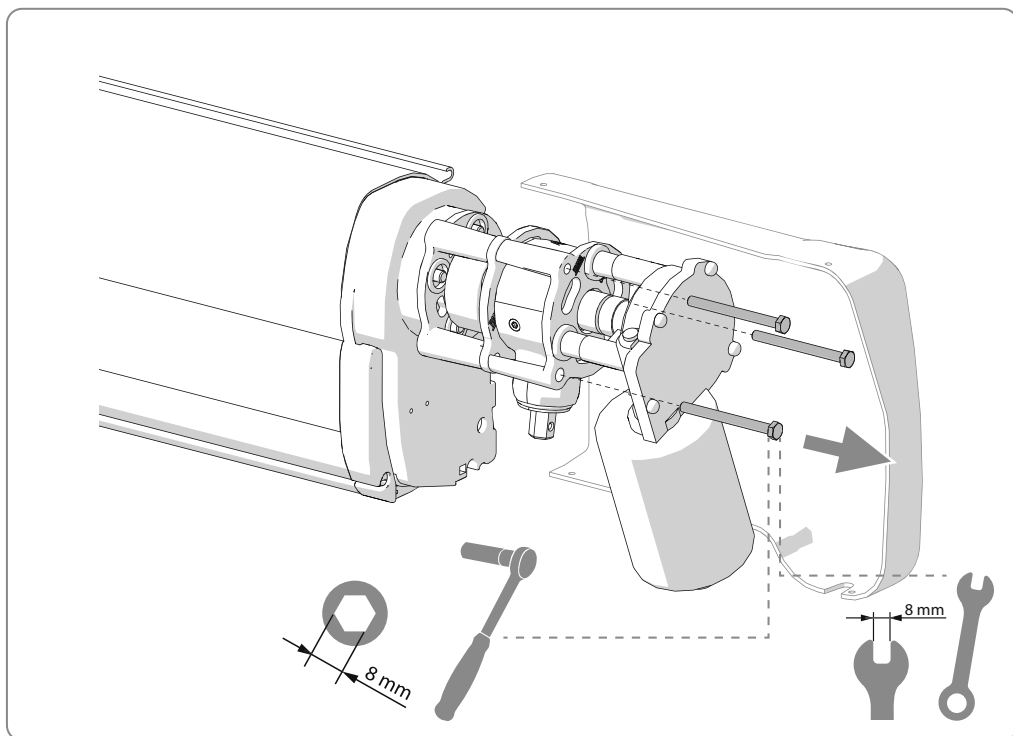
- 3** Take off the front cover from the Motor Kit removing the plastic rivets (by using a screwdriver). If the aluminium rivet is in place on the cover, remove it using the drill with the tip 3.5 mm.



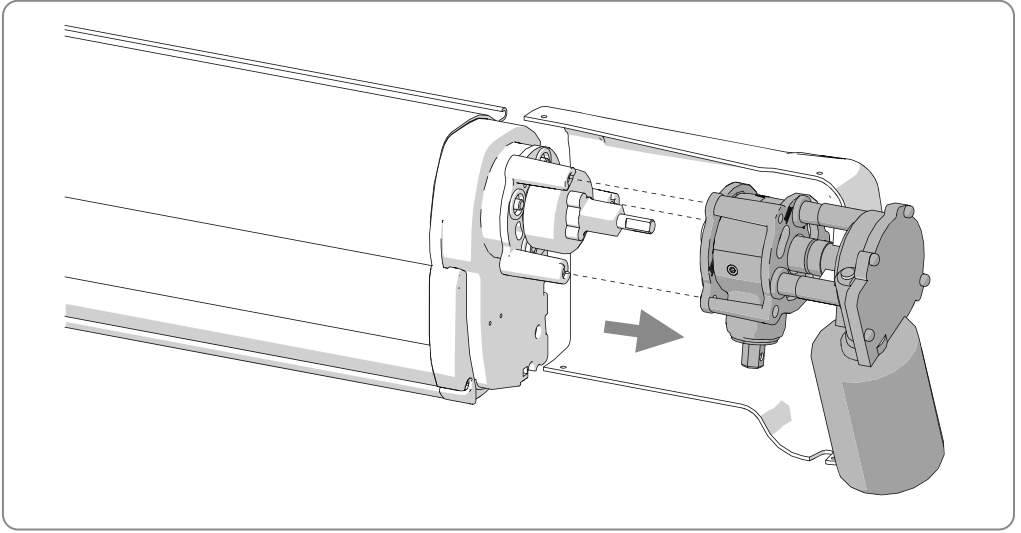
- 4 Remove the attaching screws from the rear cover.



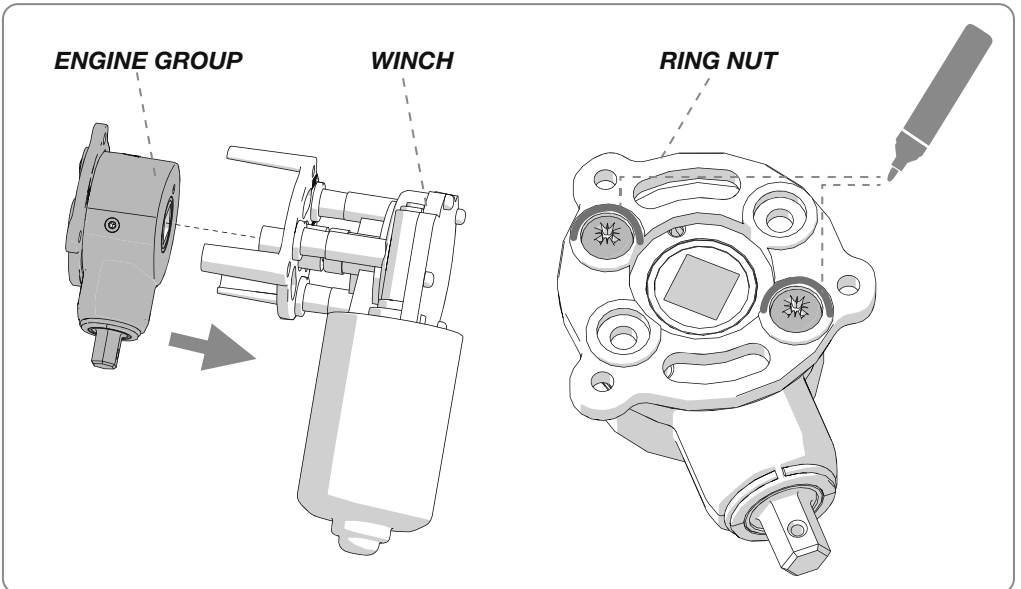
- 5 Take the 8 mm combination wrench and the ratchet wrench with the 8 mm socket and unscrew the fixing screws securing the engine frame, holding firmly with one hand, the part that will be removed.



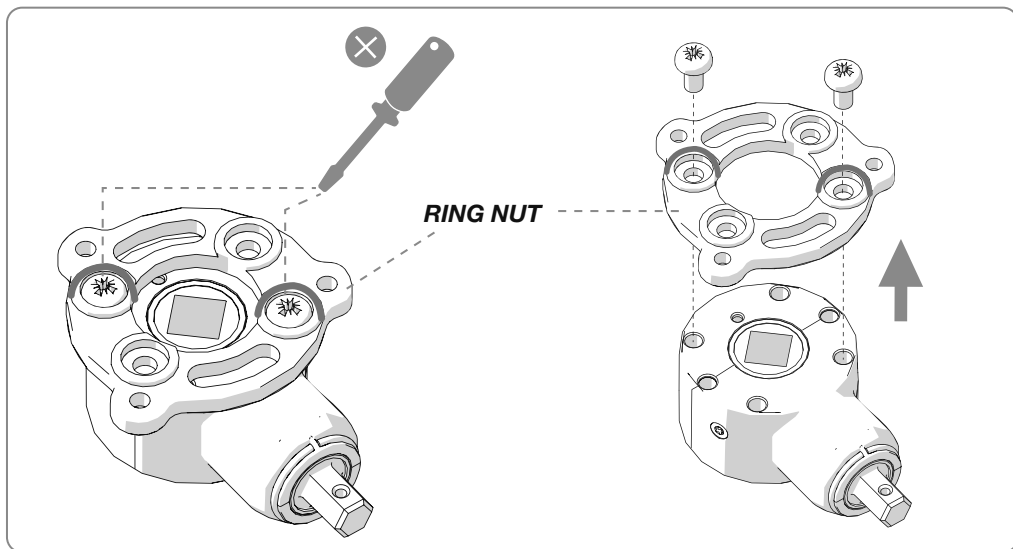
6 Take off the winch assembly (winch + flange). Pull out the planetary gearbox.



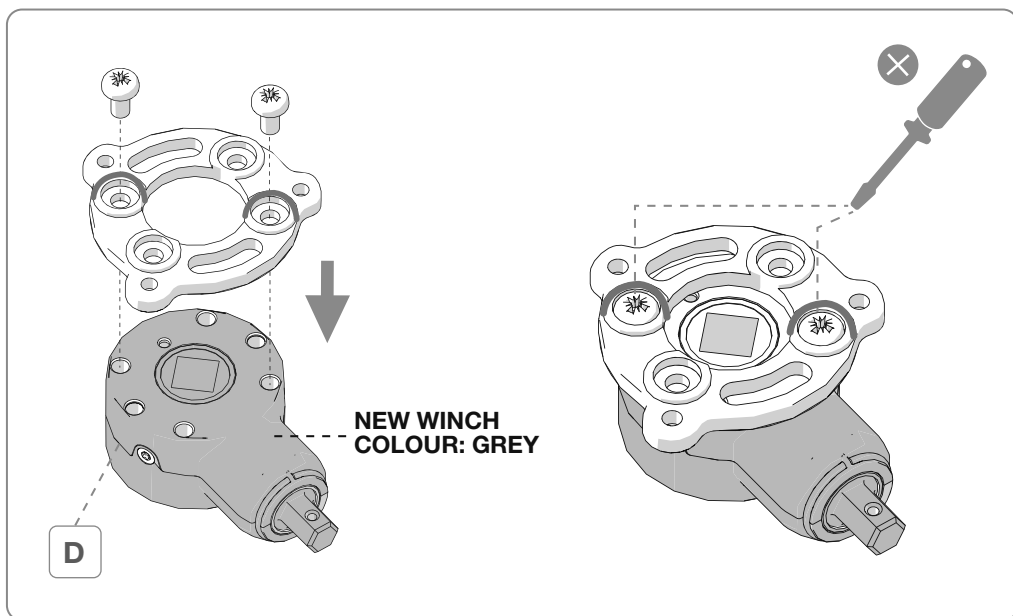
7 Marking the position of the screws with a marker (these marks will be used to mount the new winch on the ring nut).



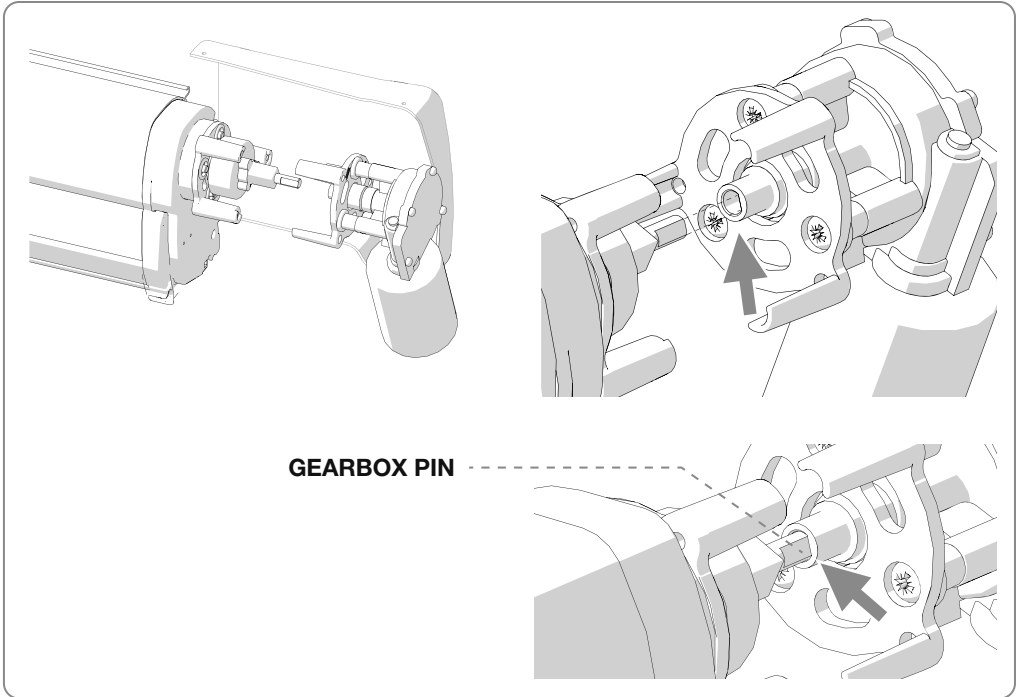
- 8** Remove the ring nut from the winch (white).



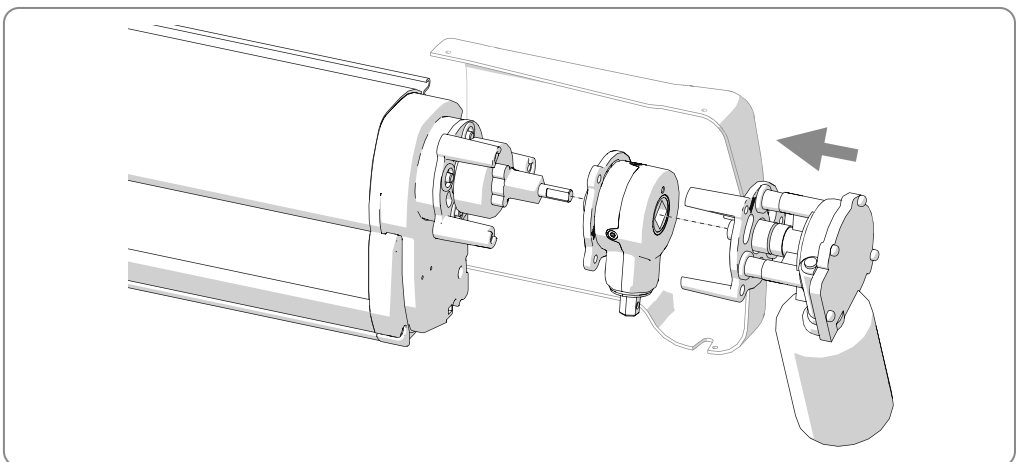
- 9** Replace the new winch (grey) on the ring nut, aligning it using the marks previously made with the marker.



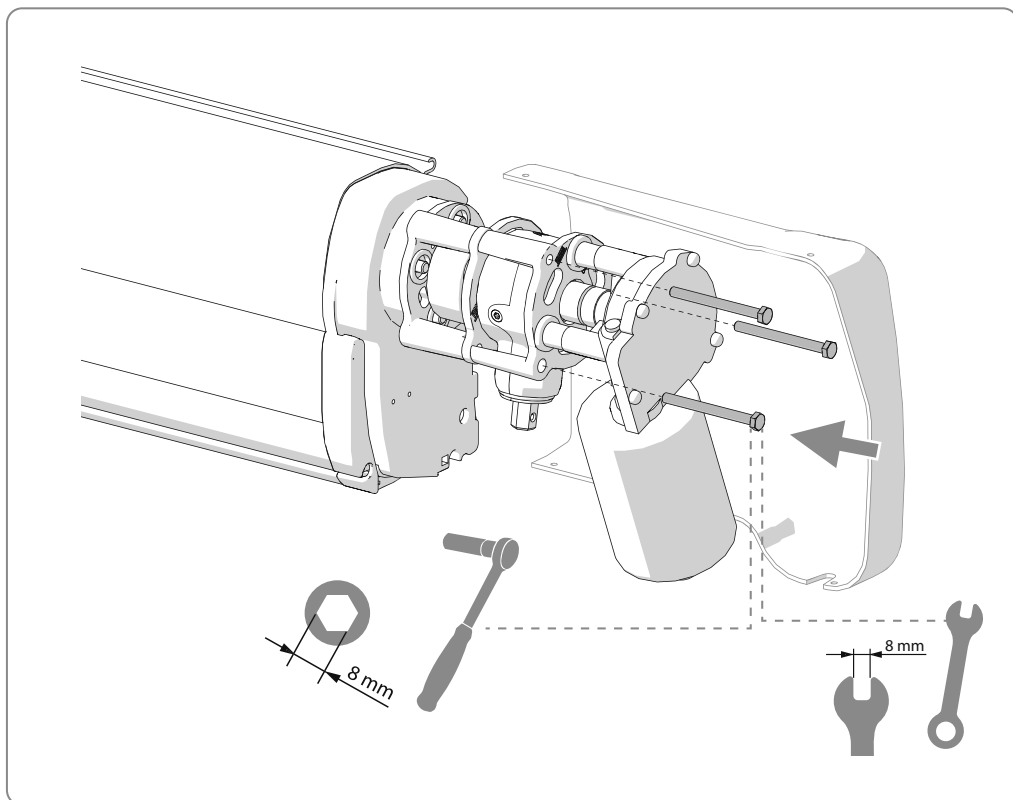
- 10** Before reassembling the group winch, move the engine group close to the planetary gearbox, to see if there is proper alignment between the gearbox pin and internal compass on the winch.



- 11** Refit the whole winch assembly, while holding the gearbox square and taking care to ensure the alignment of the pin with the sleeve of the motor kit group.

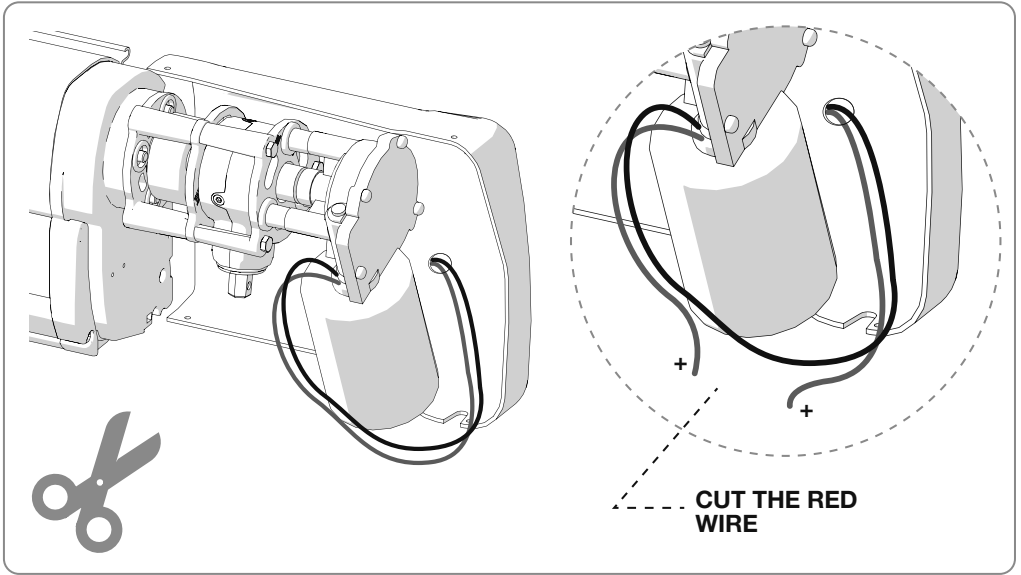


- 12** Holding the winch assembly with one hand, tighten the fixing screws securing the motor unit.

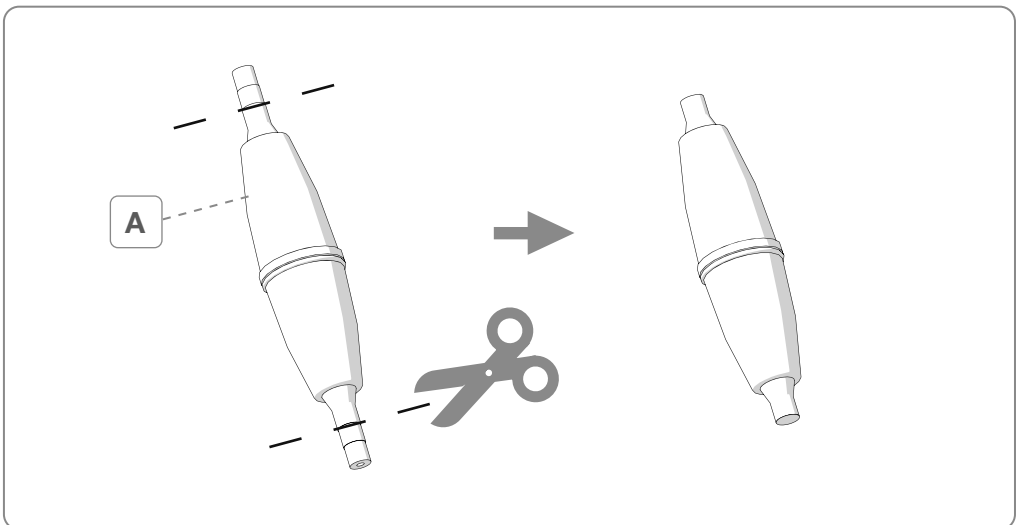


INSERTION OF THE SAFETY FUSE

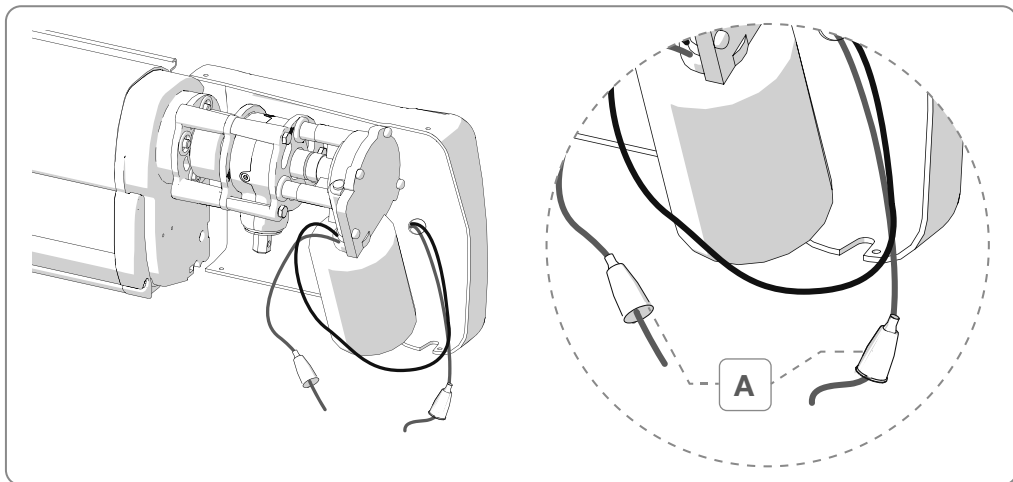
- 13** Cut the red wire of the motor.



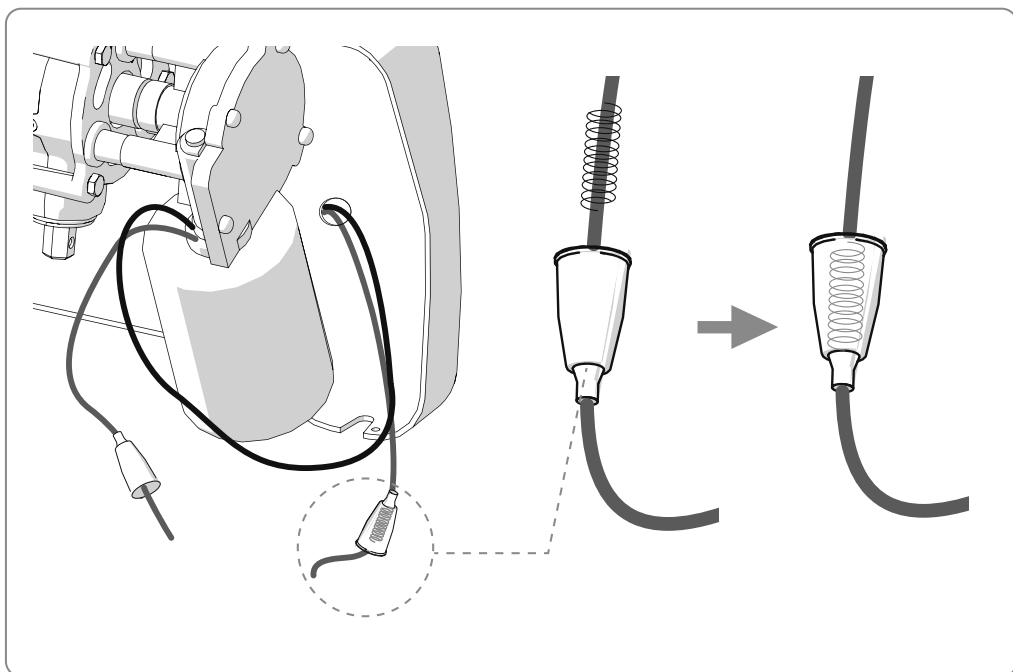
- 14** Cut for about 3-4 mm (1/6 inch) the two ends in rubber of the fuse holder. (The opening of the hole extends and makes the insertion of the cables).



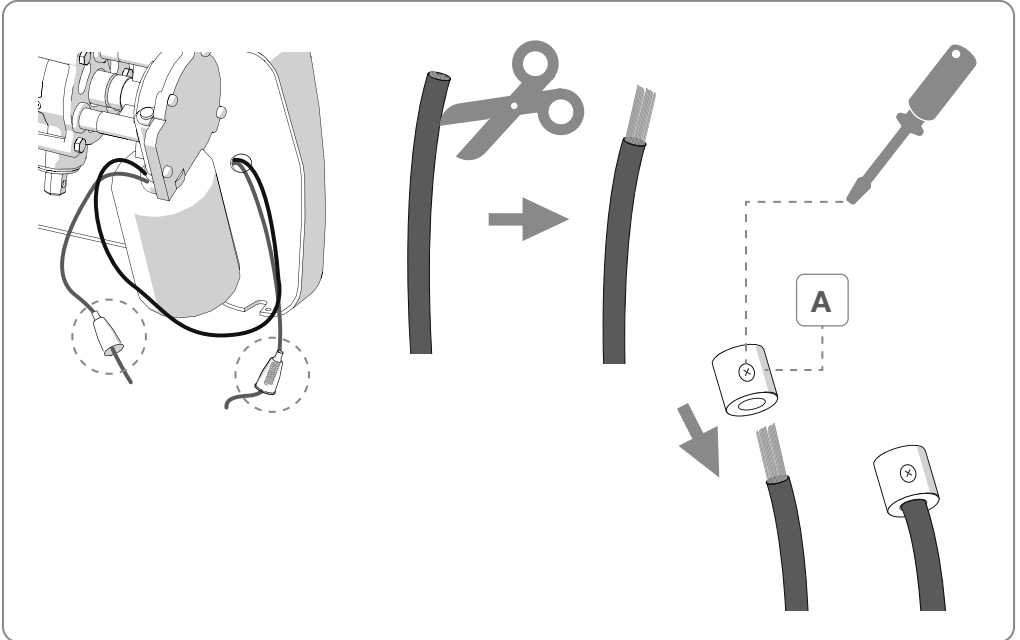
15 Insert the wires in the fuse holder.



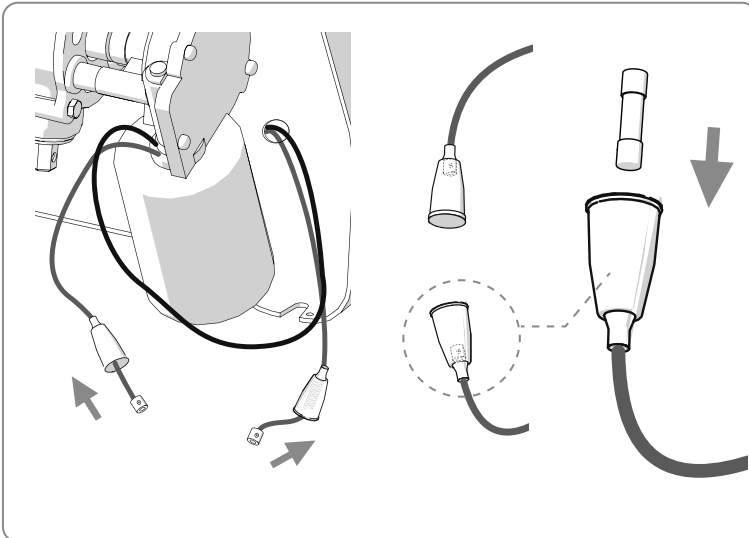
16 Insert the spring.



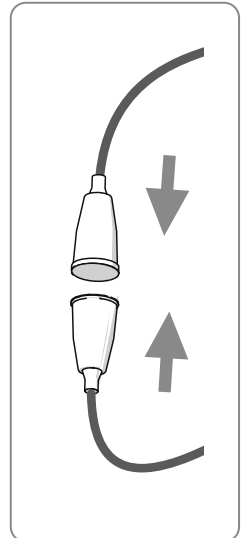
- 17** Stripping the two ends of the wires and connect them with the screw in the dial (A).



- 18** Insert the fuse -
fuse T 6.3A L 250V - (don't use different fuse)

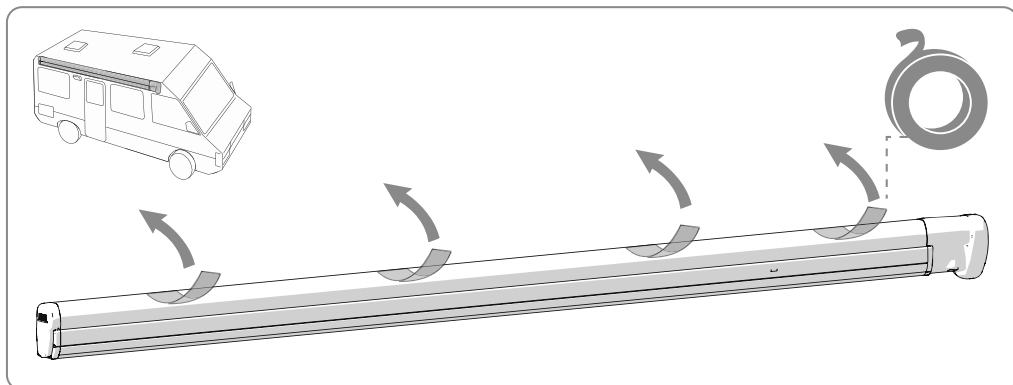


- 19** Close the fuse holder.

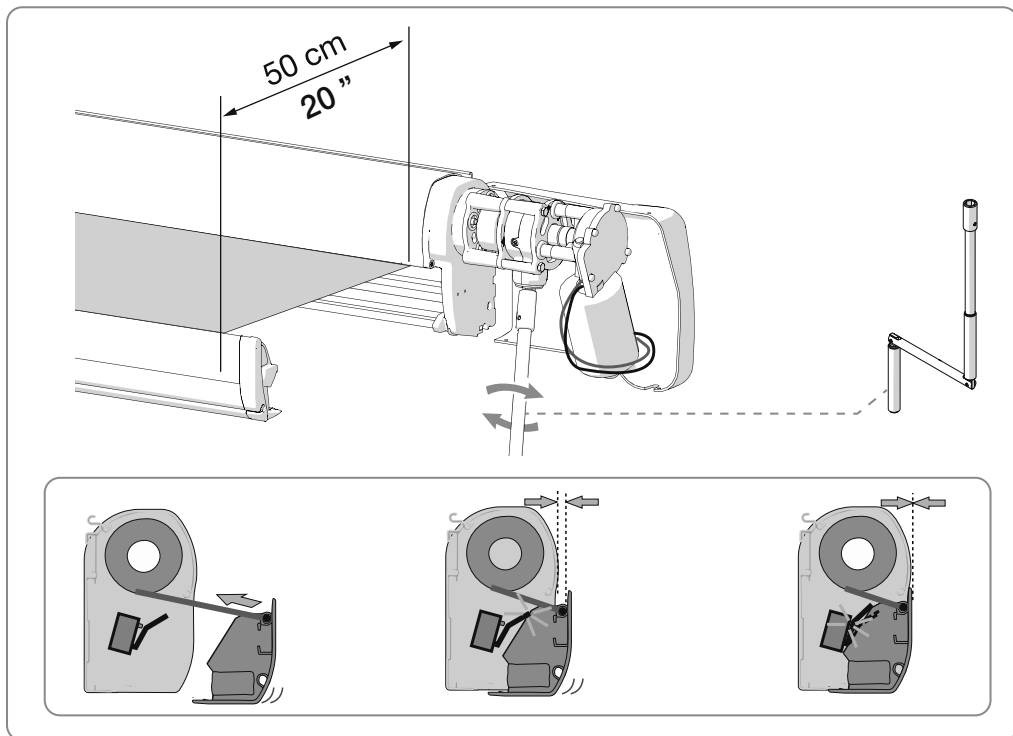


REPLACEMENT OF THE LEAD BAR CAP

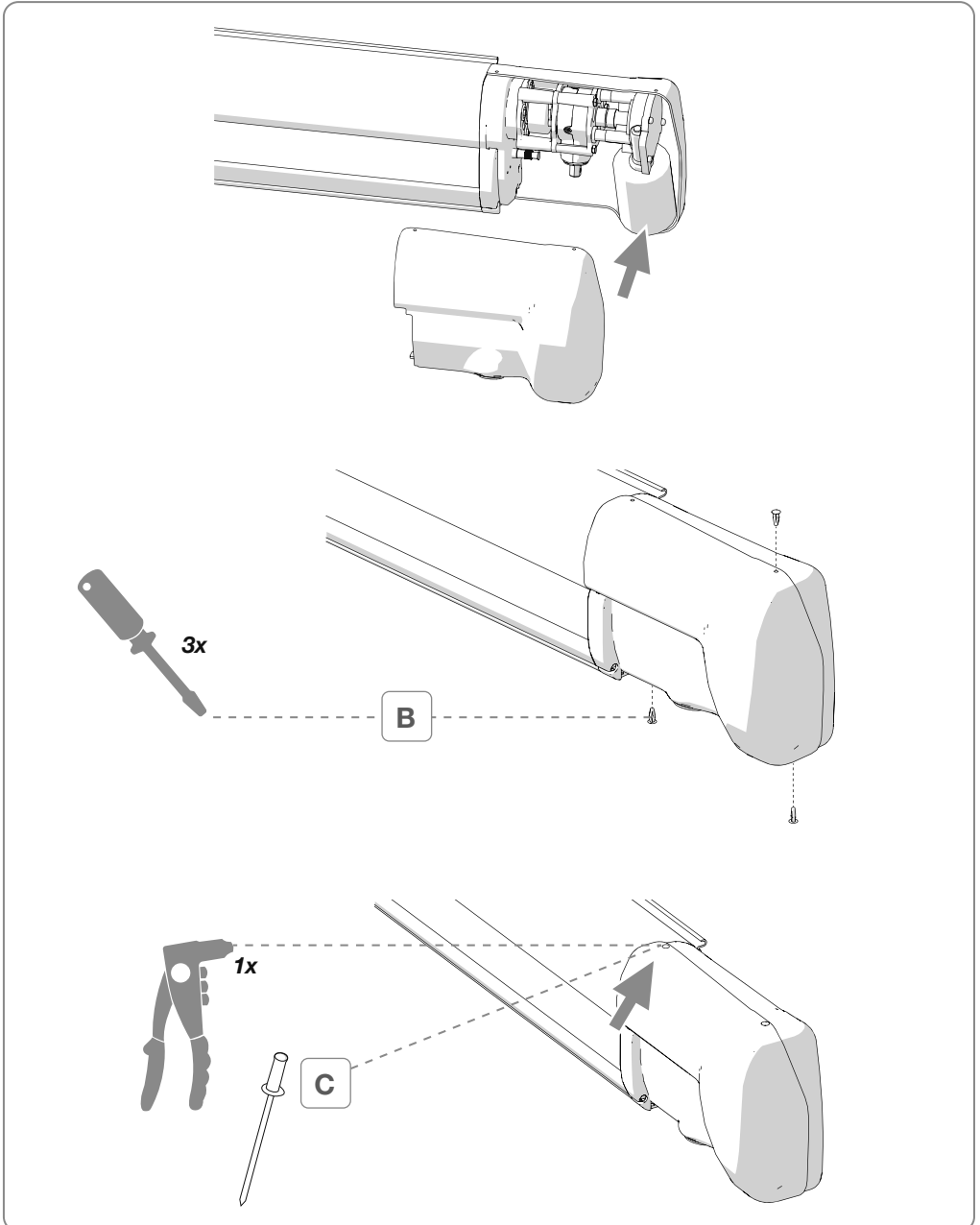
- 20** Remove the adhesive tape.




- 21** Open the lead bar with the crank handle and close it to verify the microswitch operation. Next, open the lead bar by 50 cm (20 inches).



- 22** Reassemble the covers of the motor kit, installing the new lower screw, the new rivets and the aluminium rivet (if you are unable to put the front cap, open the lead bar by a few centimetres or 3/4 open inch).

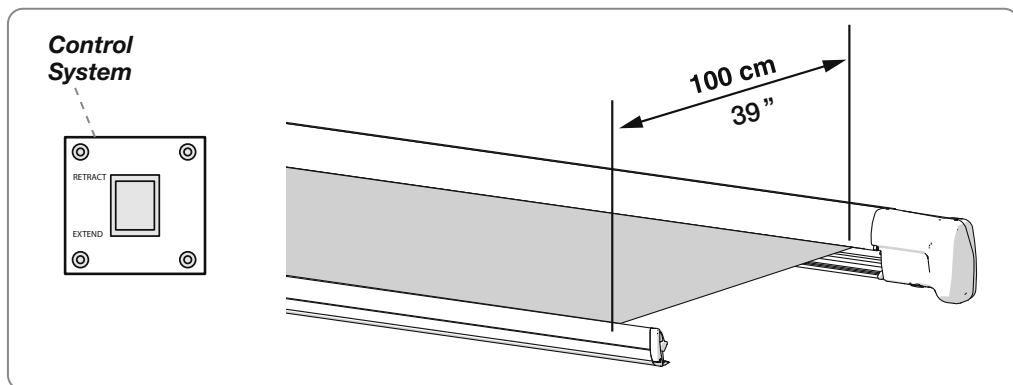


23 Remove all the tools and any material left on the vehicle roof.

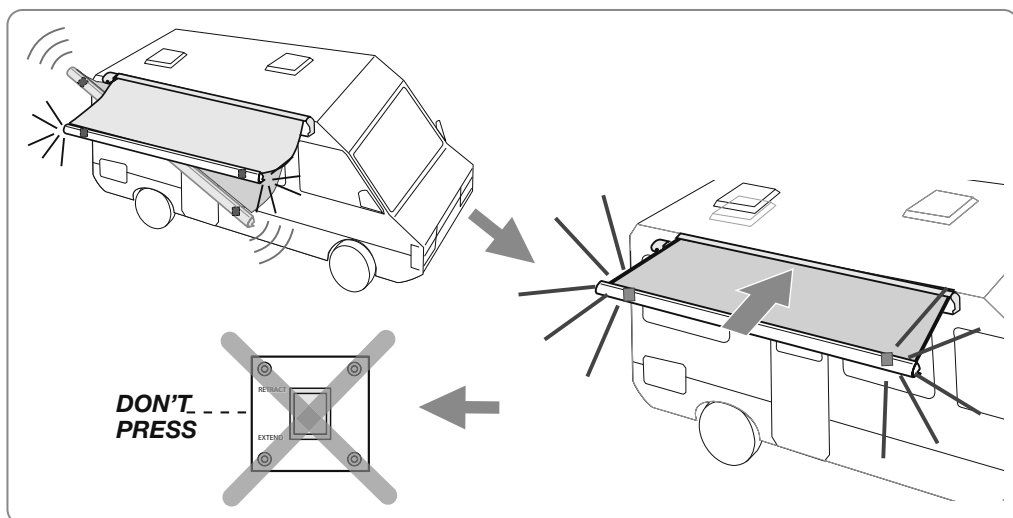
24  Restore the 12 Volt power supply.

CONTROL AND GENERAL VERIFICATION OF THE FUNCTIONING

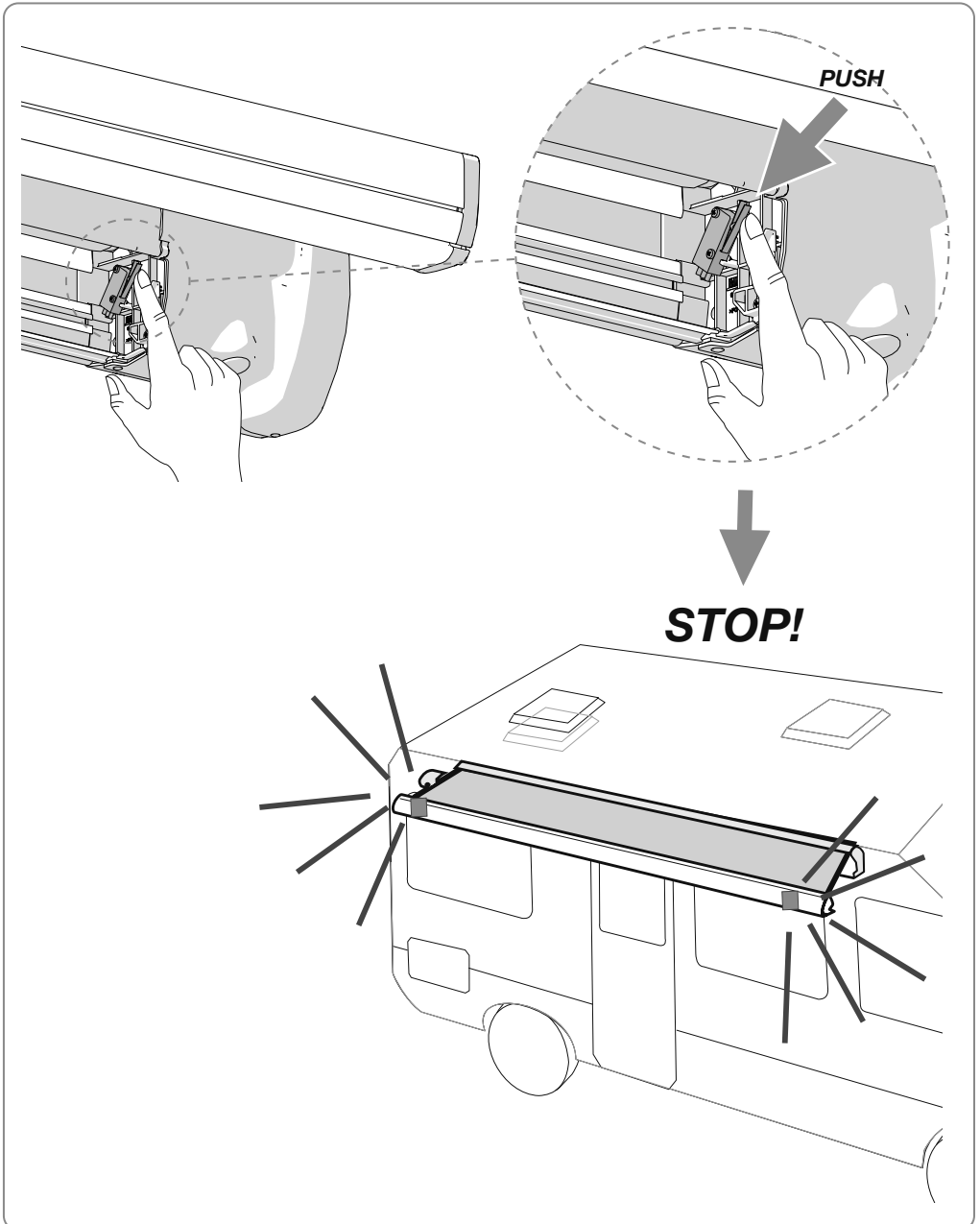
25 Open the awning lead bar by one meter (39 inches) (with the opening button).



26 Shake the lead bar to operate the motion sensor and verify that the lead bar closes automatically.



27 Interrupt the closing of the lead bar by tapping the microswitch: **THE LEAD BAR MUST STOP!**



In case that the movement doesn't stop, you could identify why the Microswitch doesn't work (because is not connected or defective); in this case the lead bar will finish the operation until the closing and it will trigger the protection fuse (that will safeguard the electrical system).

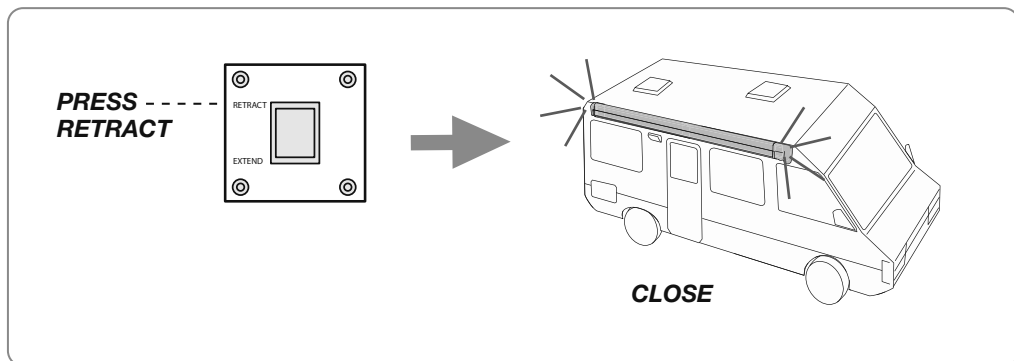
While closing of the lead bar automatically, do not insert your hands or objects that can hamper the movement.

Pay attention even to non – visible objects (F.I. branches above the awning Fabric) that can hamper the movement even before that the Microswitch takes action; in this case the protection fuse triggers and safeguard the electrical system.

Once the fuse triggers, it must be replaced with an identical (Fuse T 6.3 A L 250 V). Never use a different fuse. We recommend that you carry a spare fuse at all time.

In these cases, we always recommend that you contact the Service Centre.

28 Push the closing button and close the awning.

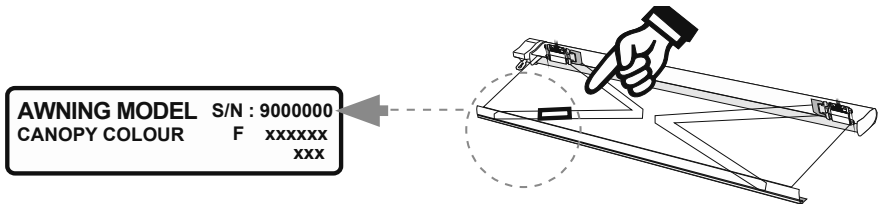


29 The restoration operations are concluded.

We remind you that the awning is for sun protection, so please close your awning in case of rain, wind or snow.



In case of problems please contact your local dealer indicating the data on the nameplate. Consult our website for spare parts drawing.



EN Warranty Fiamma. In case of defects with regards to materials and manufacturing, the customer is entitled to the warranty in accordance with local laws and regulations of the country in which the product was purchased.





fiamma.com

Fiamma S.p.A. - Italy

Via San Rocco, 56
21010 Cardano al Campo (VA)

All rights reserved.
Fiamma S.p.A.
reserves the right to modify at any time,
without notice, prices, materials,
specifications and models or to cease
production of any model.