

# SRC 15 F 002 WI

## McLaren Senna – Engine Wiring Harness Rework Instructions

The total labour time is 1.85 hours.

Complete the pre-works that follows:

| Instruction Number  | Instruction Name                       |
|---------------------|--|
| EA-RM-01A001-00-001 | Secure/lift Vehicle on platform        |
| EA-RM-04B005-01-001 | Remove/Install Wheel - Rear            |
| EA-RM-02A051-03-002 | Remove/Install Panel – Bodyside access |
| EA-RM-02A053-03-001 | Remove/Install Panel – Rear wing       |
| EA-RM-02A051-08-001 | Remove/Install Panel – Engine cover    |
| EA-RM-02A051-03-005 | Remove/Install Panel – HTR Gurney      |
| EA-RM-02A051-07-002 | Remove/Install Panel – Rear deck       |
| EA-RM-03A071-10-002 | Remove/Install Extension – Rear bumper |
| EA-RM-02A051-03-001 | Remove/Install Bodyside - Upper        |

The below parts are required:

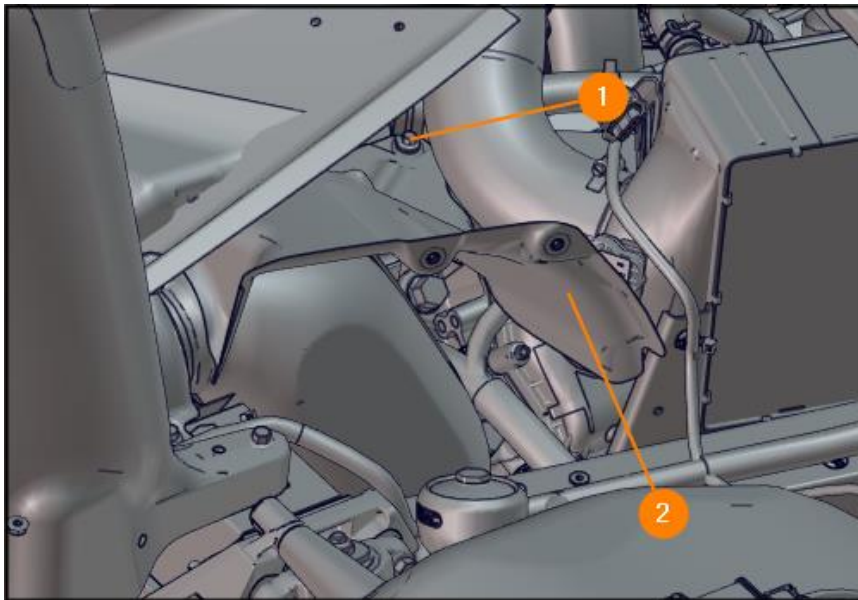
| Part Number | Part Description      | Quantity |
|-------------|-----------------------|----------|
| 00RL023     | Cable tie - High temp | 1        |

**RISK OF DAMAGE:** Be careful with easily damaged parts and trim

**Care Point:** Use protective covers to help prevent damage to the paintwork

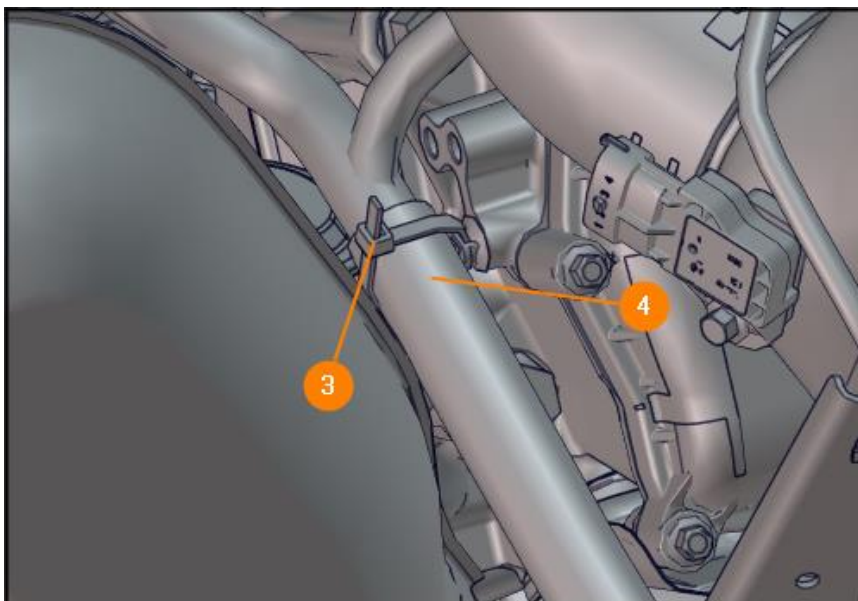
**Care Point:** If you see damage to the wiring harness, raise a technical request

1. Remove the bolt (1) **8 Nm** and remove the airguide (2).



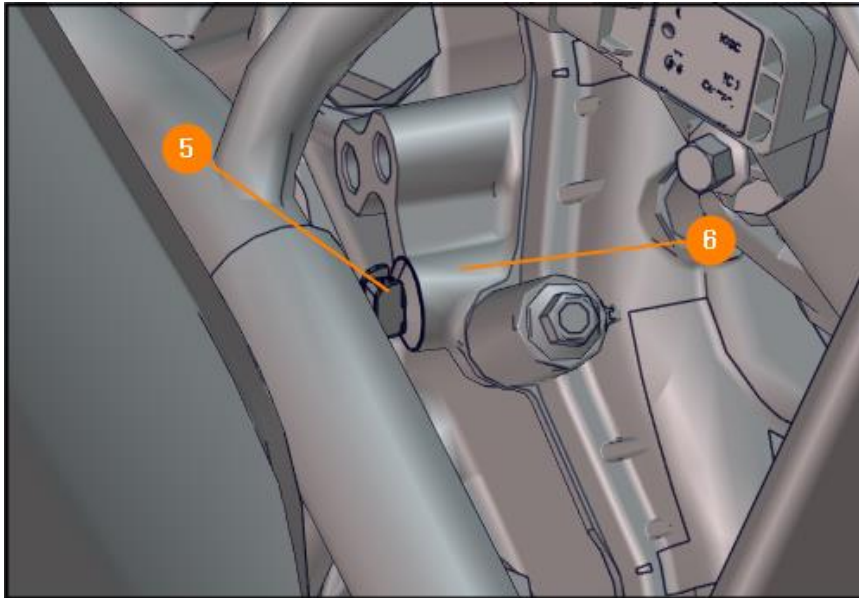
Care Point: Do not cause damage to the harness in the step that follows

2. Carefully cut and remove the cable tie (3) from the harness (4).

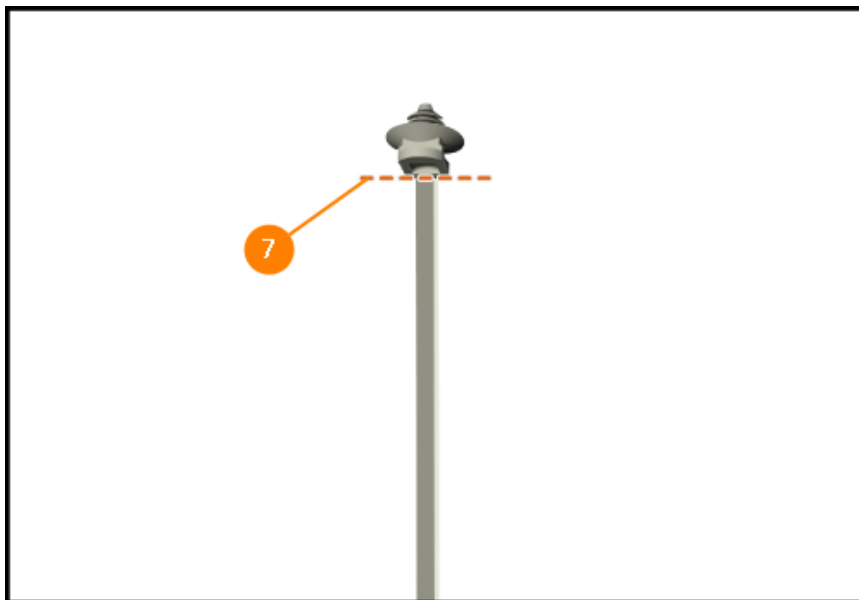


Care Point: The clip (5) must be used again in the subsequent steps

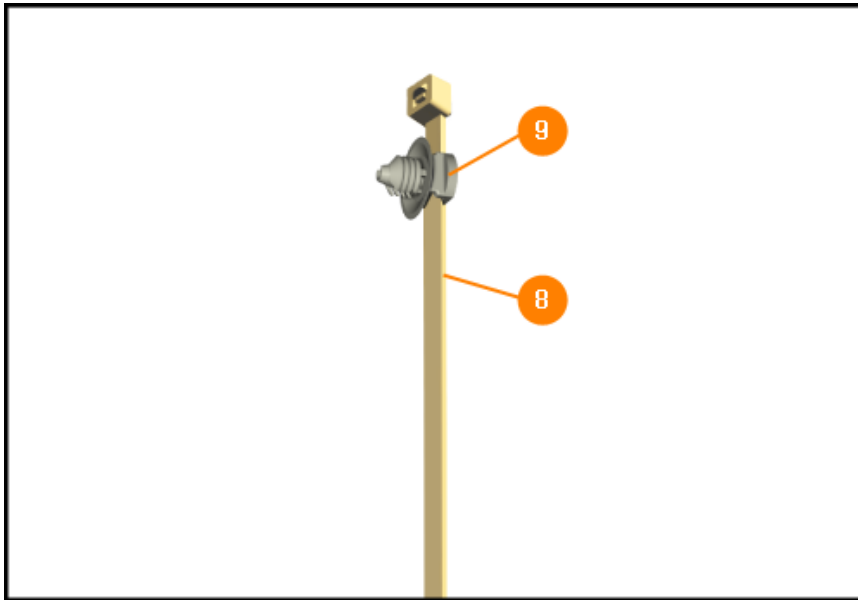
3. Turn the clip (5) to remove it from the cylinder head (6).



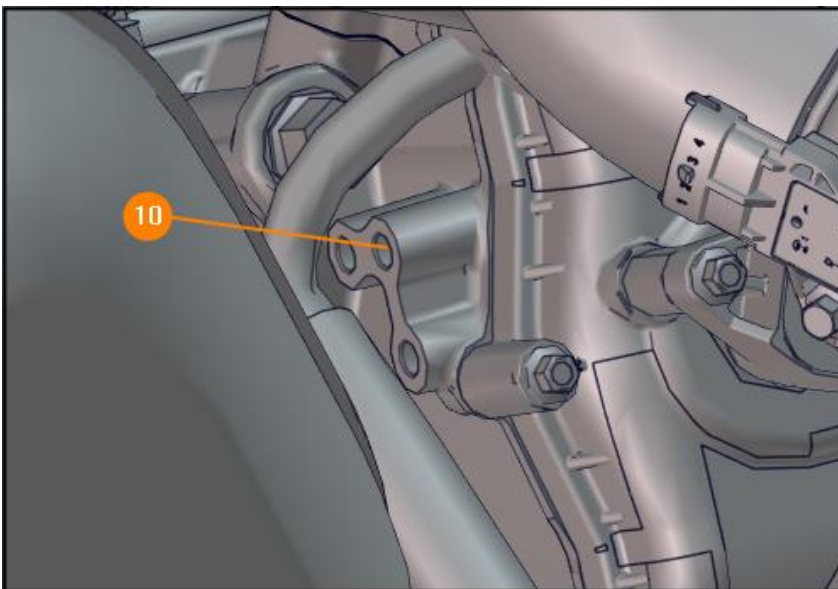
4. Cut the used cable tie from the clip as shown (7).



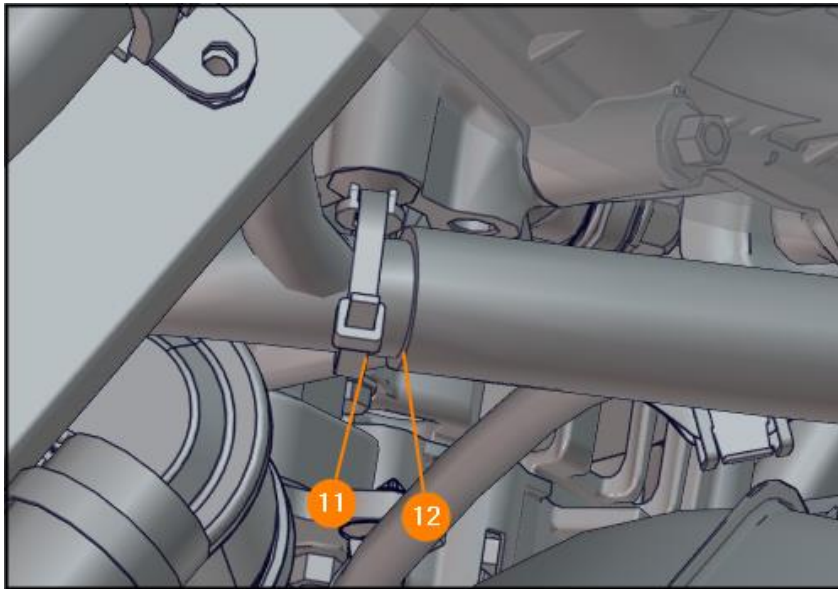
5. Assemble the new cable tie (8) - 00RL023 to the used clip (9).



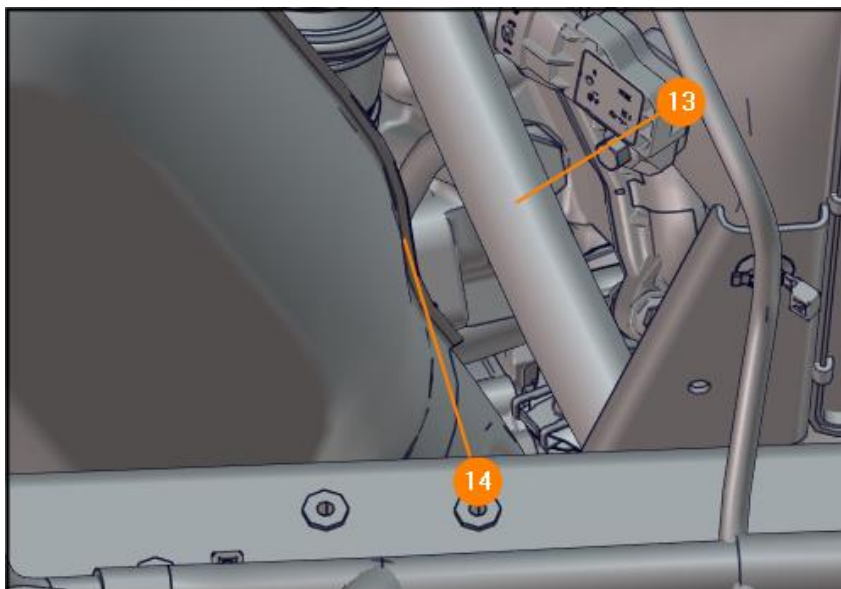
6. Install new cable tie assembly into the hole (10).



7. Make sure the gap between the cable tie (11) and the end of the chloroplast tape (12) is 10 - 15mm.



8. Tighten the cable tie (11).
9. Make sure there is a minimum of 10mm of clearance between the harness (13) and the link pipe (14).



10. Install the components in the reverse order.