

## **TEC215: G310R, G310GS, C400X Non-Anodized Caliper Return**

Bulletin #: AS-L-09-20

With the new Anodized calipers now available for G310R, G310GS and C400X, BMW Motorrad USA requests the immediate stop of sale and return of all dealer inventory of non-anodized calipers, part numbers:

<b>Model</b>	<b>G310R/G310GS</b>
<b>Part Number</b>	<b>Description</b>
34 11 8 569 405	Brake caliper, front
34 11 8 569 411	Brake caliper, rear
<b>Model</b>	<b>C400X</b>
<b>Part Number</b>	<b>Description</b>
34 11 8 566 779	Caliper Left Front
34 11 8 566 780	Caliper Right Front
34 21 8 392 846	Caliper Rear

**Dealer inventory of these parts should not be sold or used on any vehicle and must be returned in accordance with the below instructions.**

**Concerned are all parts delivered and shipped to date.**

Please return all part(s) to your facing Regional Distribution Center (RDC). Submit for return using YR26 damage claim with order reason BM2. A valid BMW delivery and delivery item number must be entered, and TEC215 must appear in the text of your TEC claim.

**TEC215 is valid from February 1, 2020 through February 14, 2020. The deadline for filing a claim under TEC215 is February 14, 2020. All parts must be returned to your facing RDC no later than February 28, 2020.**

AS\_L\_09\_20\_TEC215\_Non\_Anodize\_Caliper\_Return.pdf

[Aftersales, Bulletins, Motorrad Dealer Direct](#)

[Jan 31, 2020.](#)

Retail Operator / General Manager	Sales – Motorcycles	Sales - Used Motorcycles	Business Manager (F&I)	Service	Parts & Accessories	Administration
Date: January 31, 2020 Bulletin #: AS-L-09-20						



# BMW Motorrad USA

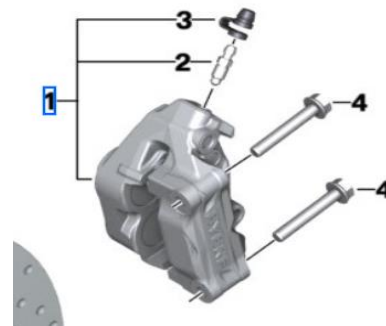
## Parts Information Bulletin

### TEC215: G310R, G310GS, C400X Non-Anodized Caliper Return

With the new Anodized calipers now available for G310R, G310GS and C400X, BMW Motorrad USA requests the immediate stop of sale and return of all dealer inventory of non-anodized calipers, part numbers:

Model	G310R/G310GS
Part Number	Description
34 11 8 569 405	Brake caliper, front
34 11 8 569 411	Brake caliper, rear

Model	C400X
Part Number	Description
34 11 8 566 779	Caliper Left Front
34 11 8 566 780	Caliper Right Front
34 21 8 392 846	Caliper Rear



**Dealer inventory of these parts should not be sold or used on any vehicle and must be returned in accordance with the below instructions.**

**Concerned are all parts delivered and shipped to date.**

Please return all part(s) to your facing Regional Distribution Center (RDC). Submit for return using YR26 damage claim with order reason BM2. A valid BMW delivery and delivery item number must be entered, and TEC215 must appear in the text of your TEC claim.

**TEC215 is valid from February 1, 2020 through February 14, 2020. The deadline for filing a claim under TEC215 is February 14, 2020. All parts must be returned to your facing RDC no later than February 28, 2020.**

### MORE QUESTIONS?

#### Contact Information:
