

REFERENCE:	Nova Bus Manuals
SECTION:	12: Passenger Seats
RS N°:	MQR 7621-1275
EFFECTIVE IN PROD.:	LC67(2019SE)
TC RECALL N°:	2019-332
NHTSA RECALL N°:	19V511

APPLICATION DEADLINE: NA
CLAIM REFERENCE NUMBER: SR-4746

SUBJECT:	Cantilever-type passenger seat anchor rails
JUSTIFICATION:	Hardware used to secure some cantilever seats may not have been properly tightened.

LEVEL	DESCRIPTION	DIRECT CHARGES		TIME
		LABOUR	MATERIAL	
1	1- Inspect the seats' upper anchor rail and the hardware that affixes the seat to the upper anchor rail. 2- Replace the upper support brackets of all cantilever-type, two- passenger seat with no stanchion affixed to the backrest.	Nova Bus	Nova Bus	6h
2	Replace all damaged seat rails and hardware	Nova Bus	Nova Bus	3h

REVISION HISTORY

REV.	DATE	CHANGE DESCRIPTION	WRITTEN BY
NR	2019NO22	Initial release	Luc Carignan

MATERIAL

QTY	PART N°	REV.	DESCRIPTION	REPLACES PART N°
LEVEL 1				
8	N8910245-BS	–	Upper support bracket	–
8	N8910246-BS	–	L-bracket	–
48	N44620-02	–	T-bolts	–
48	N37109	–	Serrated flanged nut	–
24	N17575	–	M6 washer	–
24	N44689	–	M6 lockwasher	–
24	500387	–	M6 bolt	–
LEVEL 2 (only if required*)				
1	N59740	–	Middle RH narrow upper anchor rail	–
1	N59741	–	Middle LH upper anchor rail	–
1	N59742-1	–	LH rear upper anchor rail	–
1	N59742-2	–	RH rear upper anchor rail	–
1	N59744	–	Front RH upper anchor rail	–
1	N59746	–	Middle RH no rear door anchor rail	–
1	N69417	–	Rear LH upper anchor rail	–
1	N71177-1	–	Rear LH upper anchor rail	–
1	N71177-2	–	Rear RH upper anchor rail	–
40	N11344	–	M10 X 35 Allen screw	–
20	N44620-02	–	T-bolt	–
20	N37109	–	Serrated flanged nut	–

Materials will be available within 73 days once your order has been placed. To order, please contact Prevost Parts by phone at 1-800-771-6682, by fax at 1-888-668-2555 or by email at prevostparts.commandes@volvo.com. Specify document number, quantity of parts required and shipping address.

* The material identified in Level 2 is to be ordered only for vehicles that meet the criteria defined in Level 1.

CONSULT YOUR PART MANUAL TO KNOW WHICH OF THE PARTS LISTED IN LEVEL 2 IS REQUIRED FOR YOUR VEHICLE.

DISPOSAL OF PARTS

REMOVED PARTS ARE:	DISCARDED*	RETAINED	* Dispose of the unused parts and the defective parts in accordance with local environmental standards in effect.
	Yes	–	

CLIENT	ORDER	ROAD NUMBER		VIN (2NVY/4RKY...)		QTY
		FROM	TO	FROM	TO	
CMBC (TransLink) - British Columbia	LB32	18451	18473	L82J5J9776726	L82J4J9776748	23
Démo US	L724	7300	7301	S92Y1D4500275	S92Y3D4500276	2
Halifax - Nova Scotia	L708	742	761	S92UXC3000782	S92U3C3000803	20
Houston - Texas	L737	1510	1510	S92U4D4500297	S92U4D4500297	1
Houston - Texas	L755	1511	1579	S92U4D4500333	S92U8D4500402	69
SEPTA - Pennsylvania	L741	7355	7355	S92L4E4500504	S92L4E4500504	1
SEPTA - Pennsylvania	L742	7371	7414	S92L6E4500729	S92L7E4500772	44
SEPTA - Pennsylvania	L743	7356	7370	S92L1E4500489	S92L2E4500503	15
SEPTA - Pennsylvania	L745	7415	7415	S92L0F4500873	S92L0F4500873	1
SEPTA - Pennsylvania	L746	7416	7454	S92L7F4500952	S92L8F4501012	39
SEPTA - Pennsylvania	L749	7302	7354	S92Y7D4500409	S92L2E4500470	53
SEPTA - Pennsylvania	L861	7300	7484	S92L5G9775188	S92L8G9775220	32

**WARNING**

FOLLOW YOUR INTERNAL SAFETY PROCEDURES.

PROCEDURE

LEVEL 1:

1.1- INSPECT THE SEATS' UPPER ANCHOR RAILS AND THE HARDWARE THAT AFFIXES THE SEATS TO THE UPPER ANCHOR RAILS.

- 1.1. Visually inspect all the upper anchor rails located between the front wheelhouses and the rear of the vehicle for any cracks and/or deformities. See Figure 1, for 60 foot vehicle inspect the front and rear section.
 - a. If any cracks and/or deformities are visible on the top anchor rails, go to step 2.1. If no defect are found after inspection, proceed with the next step of the level 1 procedure

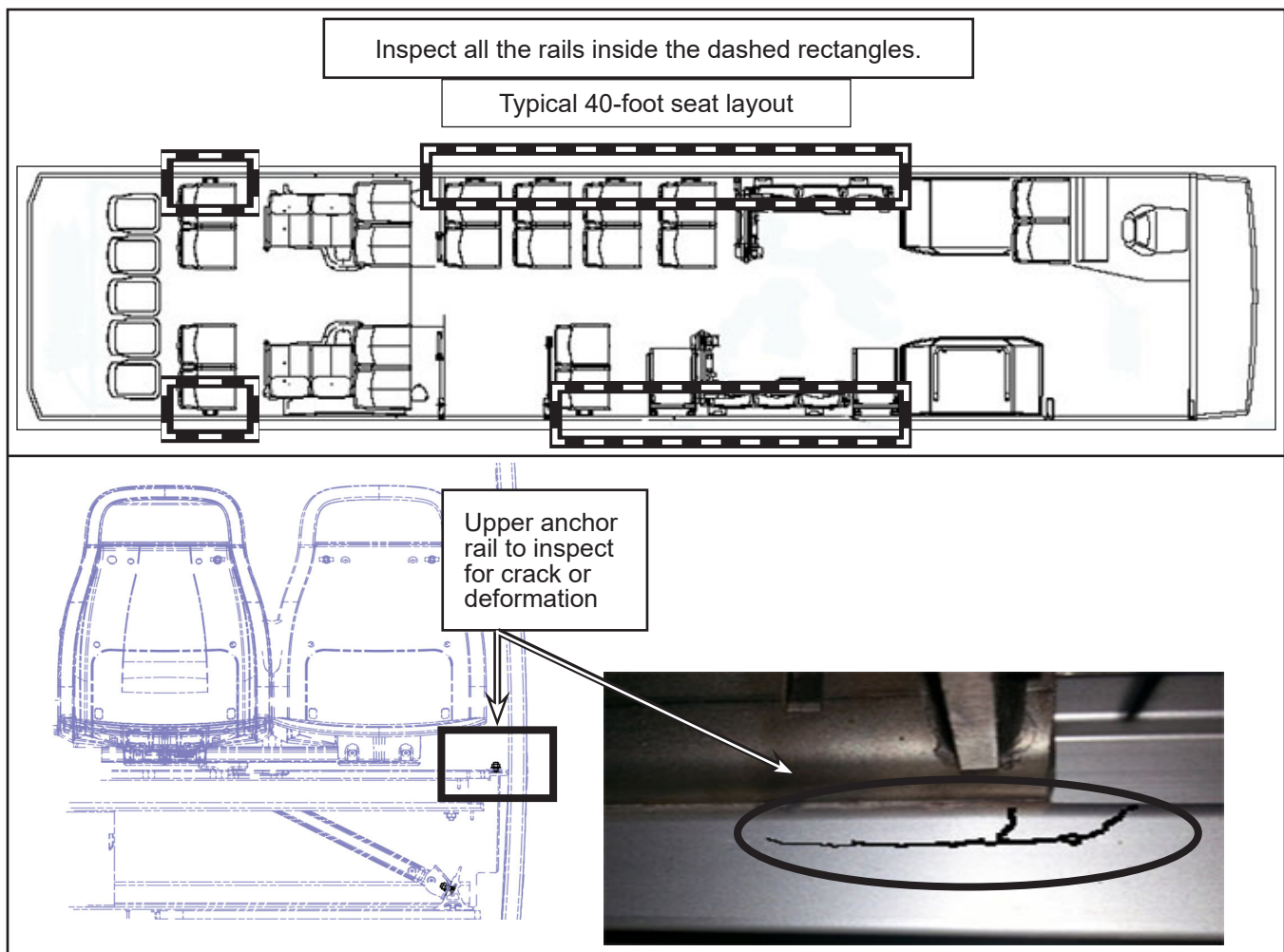


Figure 1 - Inspection of Seats' Upper Rail

1.2- REPLACE THE UPPER SUPPORT BRACKETS OF ALL THE CANTILEVER-TYPE 2 PASSENGER SEATS WITH NO STANCHION AFFIXED TO THE BACKREST

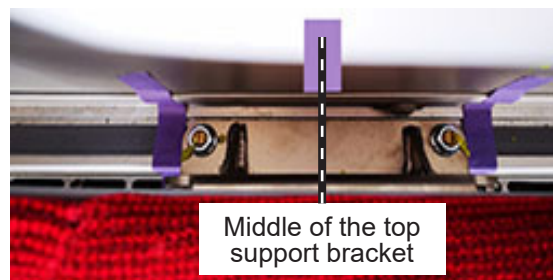


NOTE

When removing any passenger seat and/or seat belts from the anchor rail, all T-bolts and nuts should be discarded and never be reused to affix a passenger seat or seat belt.

- 1.2. For all cantilever-type two passenger seats with no stanchion affixed to the backrest, follow steps a-q to replace the upper support bracket
 - a. Place tape on each side of the lower anchor bracket. Place tape on the wall to align with the middle of the top support bracket. See Figure 2.
 - b. If required, disconnect any electrical harness connected to an electrical device on the seat frame and remove the tie wraps. See Figure 2.

a - Place tape on each side of the lower anchor bracket or brackets. Place tape on the wall to align with the middle of the top support bracket.



b - Typical electrical harness to disconnect and remove



Figure 2 - Steps to do Before Seat Removal

- c. Remove the cantilever-type two passenger seats with no stanchion affixed to the backrest from the seat anchor rail. Remove all T-bolts and nuts from the upper and lower anchor rails. Dispose of all the removed T-bolts and nuts. See Figure 3.

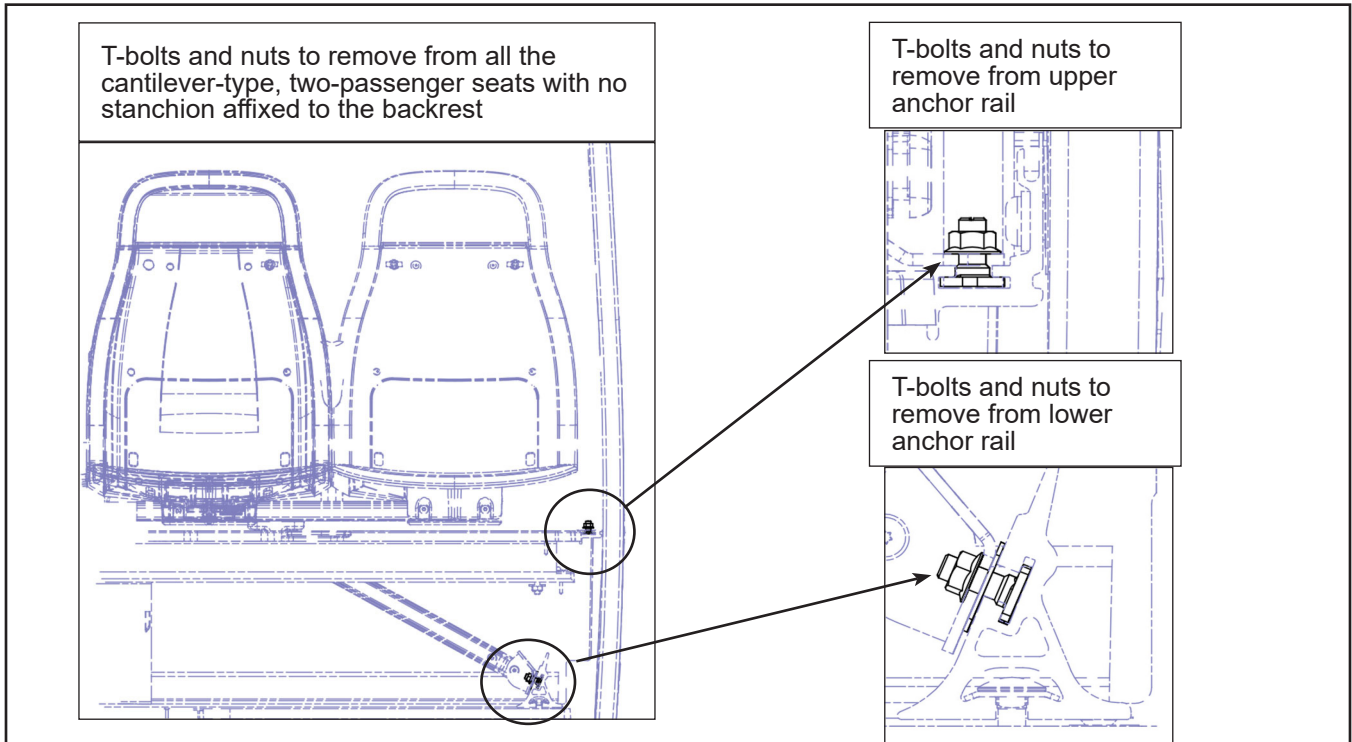


Figure 3 - T-bolts and Nuts to remove

- d. Remove the upper support bracket from all the removed cantilever-type seats. Retain the hardware. See Figure 4.

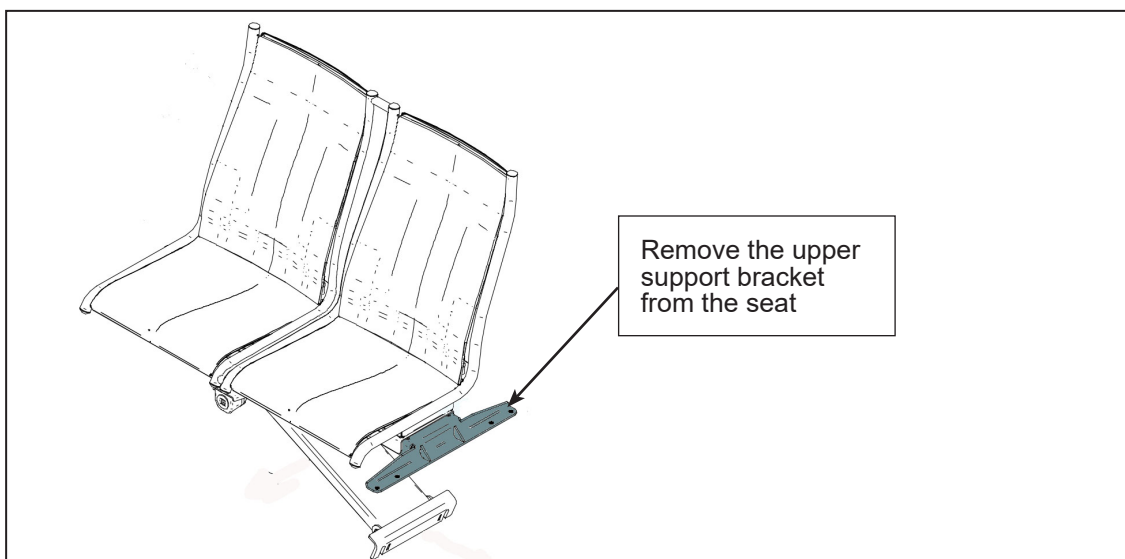


Figure 4 - Typical Upper Support Bracket to Remove

- e. Install a new upper support bracket N8910245-BS on all the removed two-passenger seats using the retained hardware. See Figure 5 for installation details and torque value.

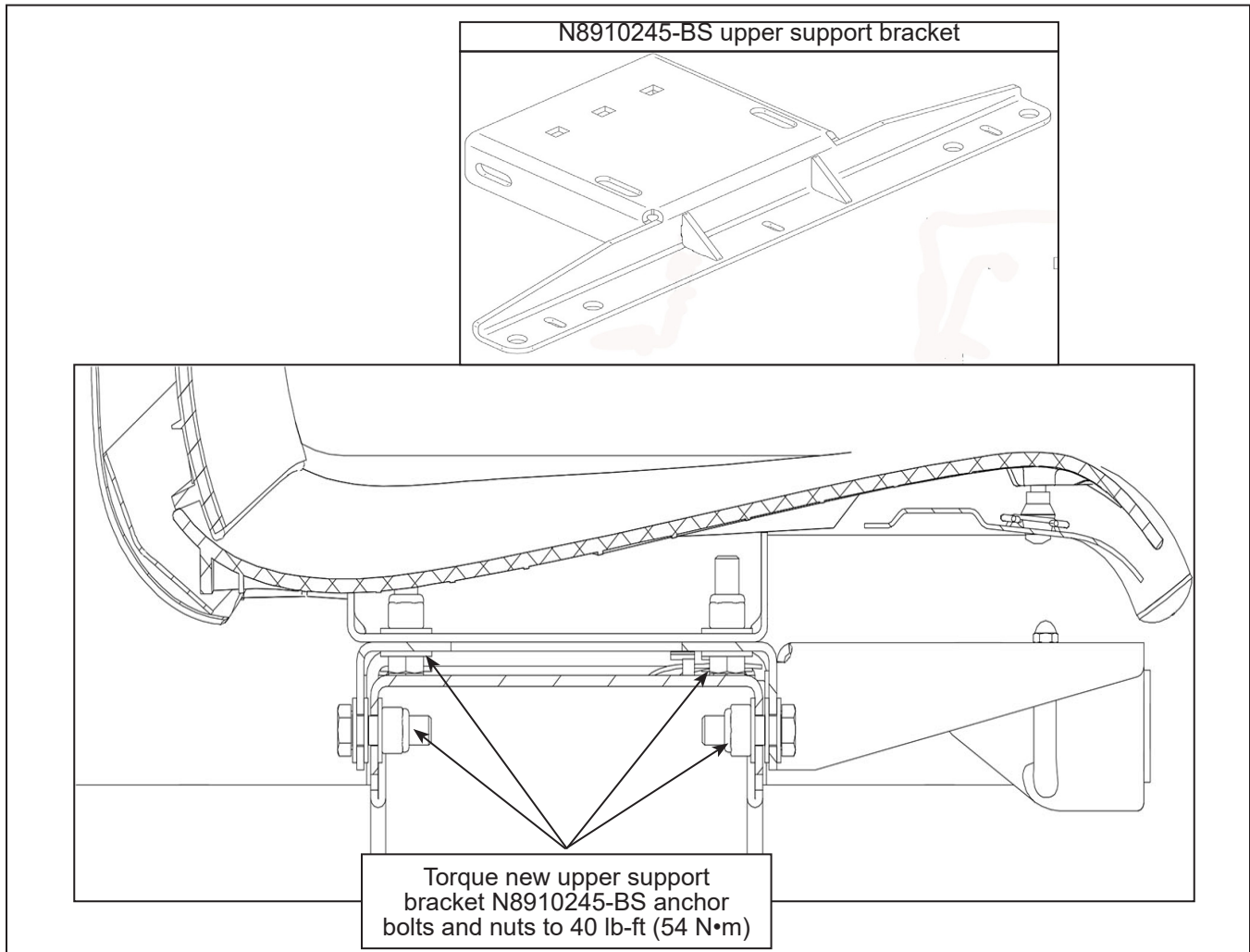


Figure 5 - Upper Support Bracket N8910245 Torque Value

- f. Visually inspect all the upper anchor rails where the seats were supported for any sign of cracks and/or deformities. If any cracks and/or deformities are present, proceed with level 2. If the upper anchor rail show no cracks and/or deformities, finish the level 1 procedure and return the vehicle to service.

- g. Place L-bracket N8910246-BS on the upper anchor rail and position the middle hole of the L-racket in line with the tape on the wall. Mark the rubber filler strip on each side of the L-bracket. Repeat this step for all removed seats.
- h. Remove L-bracket N8910246-BS and cut the portion of rubber filler strip that was under the L-bracket. Repeat this operation for all removed seats.
- i. Install 6 N44620-02 T-bolts in the anchor rail for each removed seat. See Figure 6.

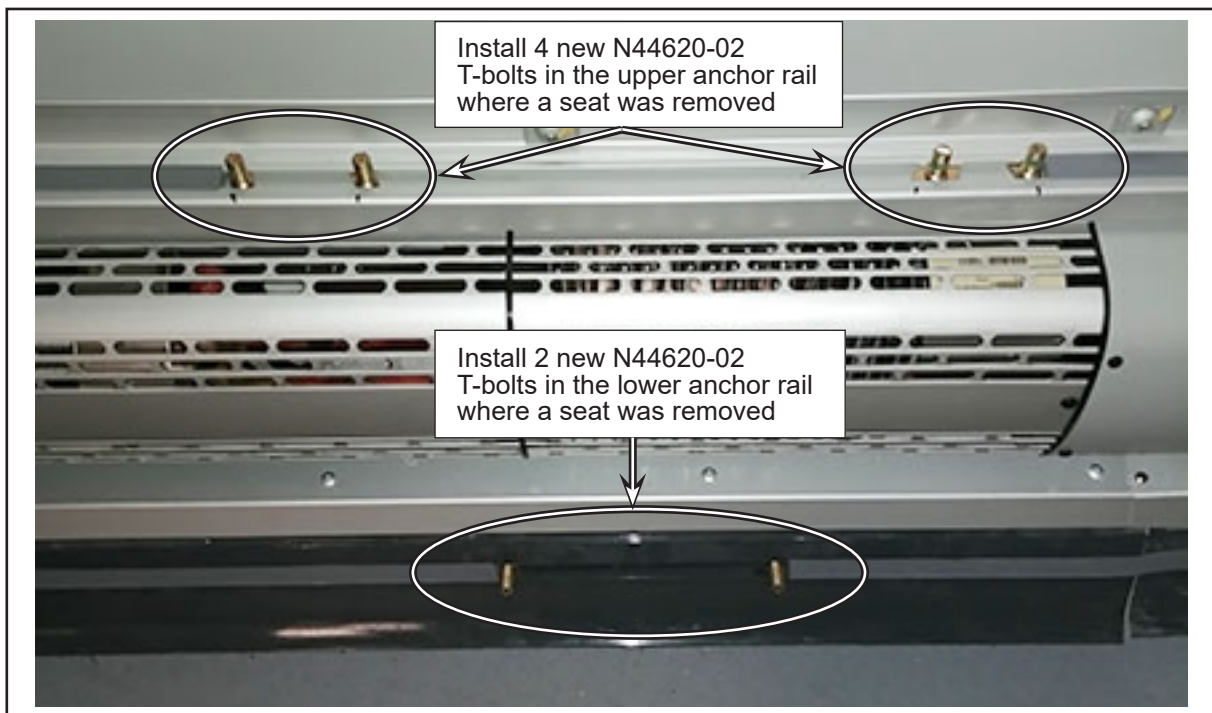


Figure 6 - Position of N44620-02 T-bolts

- j. Install all the N8910246-BS L-bracket on the N44620-02 T=Bolts installed in the upper anchor rail. See Figure 7.
- k. Install the removed seat(s) on the N8910246-BS L-bracket and the N44620-02 T-bolts installed in lower anchor rail. See Figure 7.

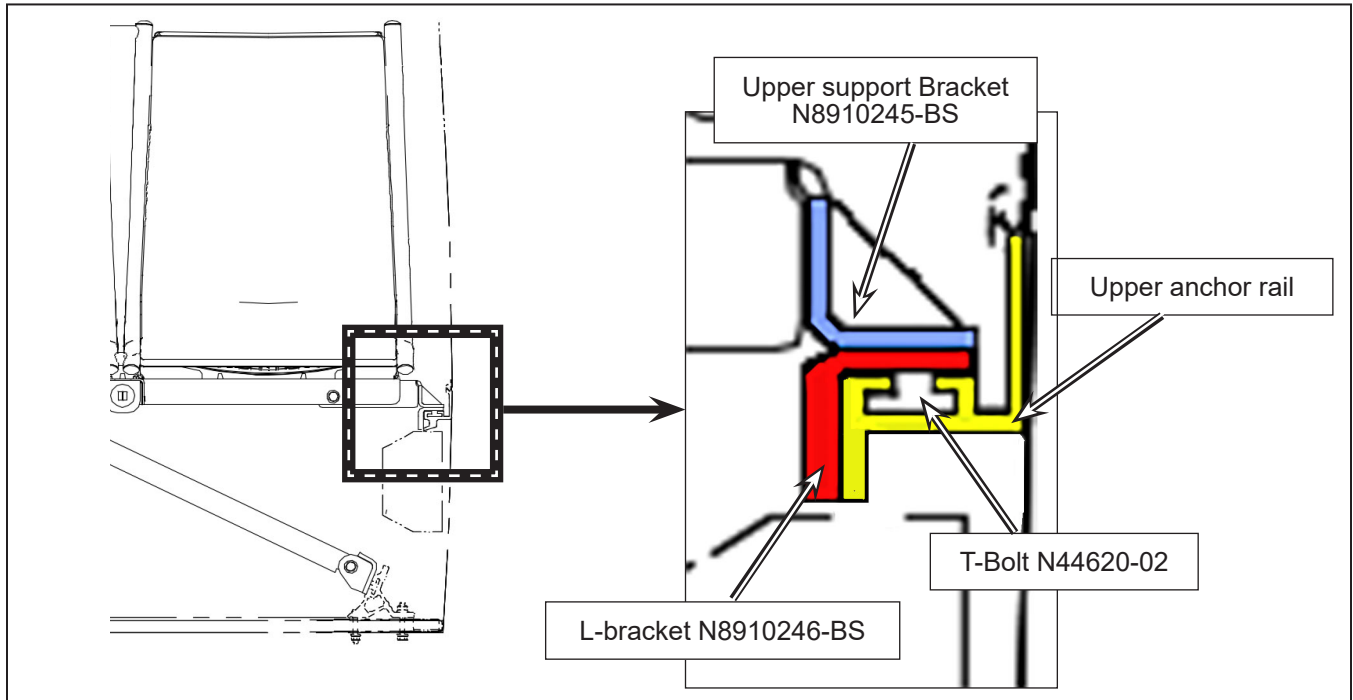


Figure 7 - Installation of L-bracket N8910246-BS

- i. Hand tighten the N37109 serrated flange nuts on all the T-bolts that affix the removed seat(s) to the upper and lower anchor rail. Make sure the puncture in the T-bolts is facing the center of the vehicle. See Figure 8.
- m. Push the N8910246-BS L-bracket toward the upper anchor rail, make sure there is full contact between the L-bracket and the upper anchor rail, and torque the N37109 serrated flanged nut. See Figure 8 for torque value.
- n. With a torque wrench, torque the T-bolts on the lower rail See Figure 8 for torque value.

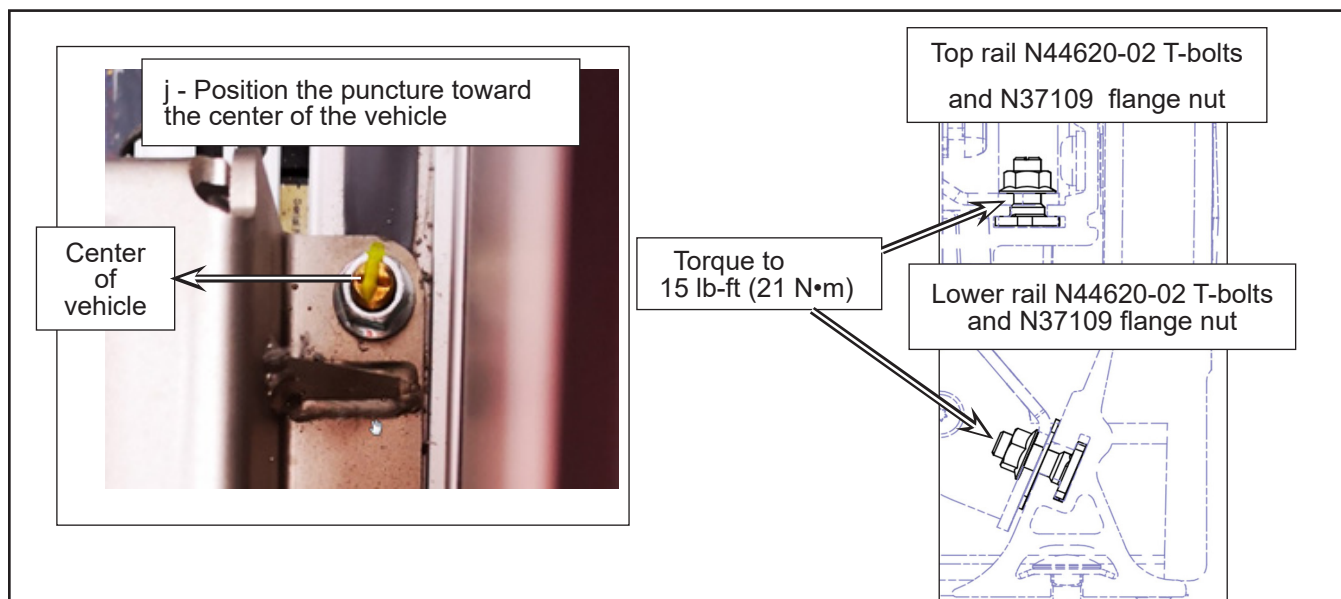


Figure 8 - T-bolt Puncture Alignment and Torque Value

- o. Fix the upper support bracket to the L-bracket with 500387 bolts, N44689 lock washer and N17575 washers. Tighten the screws with a screwdriver. See Figure 9.

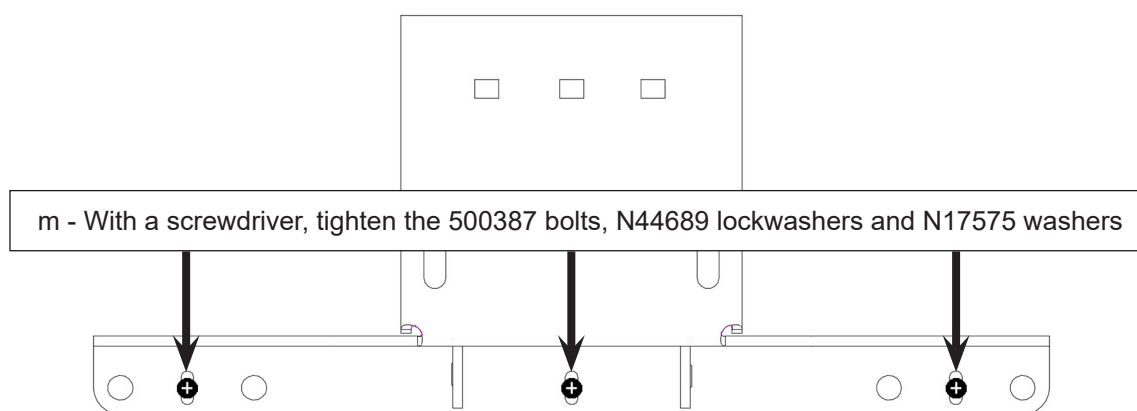


Figure 9 - Upper Support Bracket Top Affixed to L-bracket

- p. If required, connect the electrical component underneath the seat and secure the electrical harness with tie wrap.
- q. Remove the tape.

LEVEL 2: REPLACE ALL THE DAMAGED SEAT RAILS AND HARDWARE

- 2.1. For all seats affixed to the defective upper anchor rail, place tape on each side of the lower anchor bracket. Place tape on the wall to align with the middle of the top support bracket. See Figure 10.,
 - a. If required, disconnect any electrical harness connected to an electrical device on the seat frame and remove the tie wraps. See Figure 10.
 - b. If a seat has a stanchion bolted to the backrest, remove the anchor cup from the backrest. Retain the cup and hardware. Do not remove the stanchion. See Figure 10.
 - c. If a seat has a cup-style stanchion, do not remove the stanchion cup; the stanchion can be disconnected when the seats will be lowered. See Figure 10.

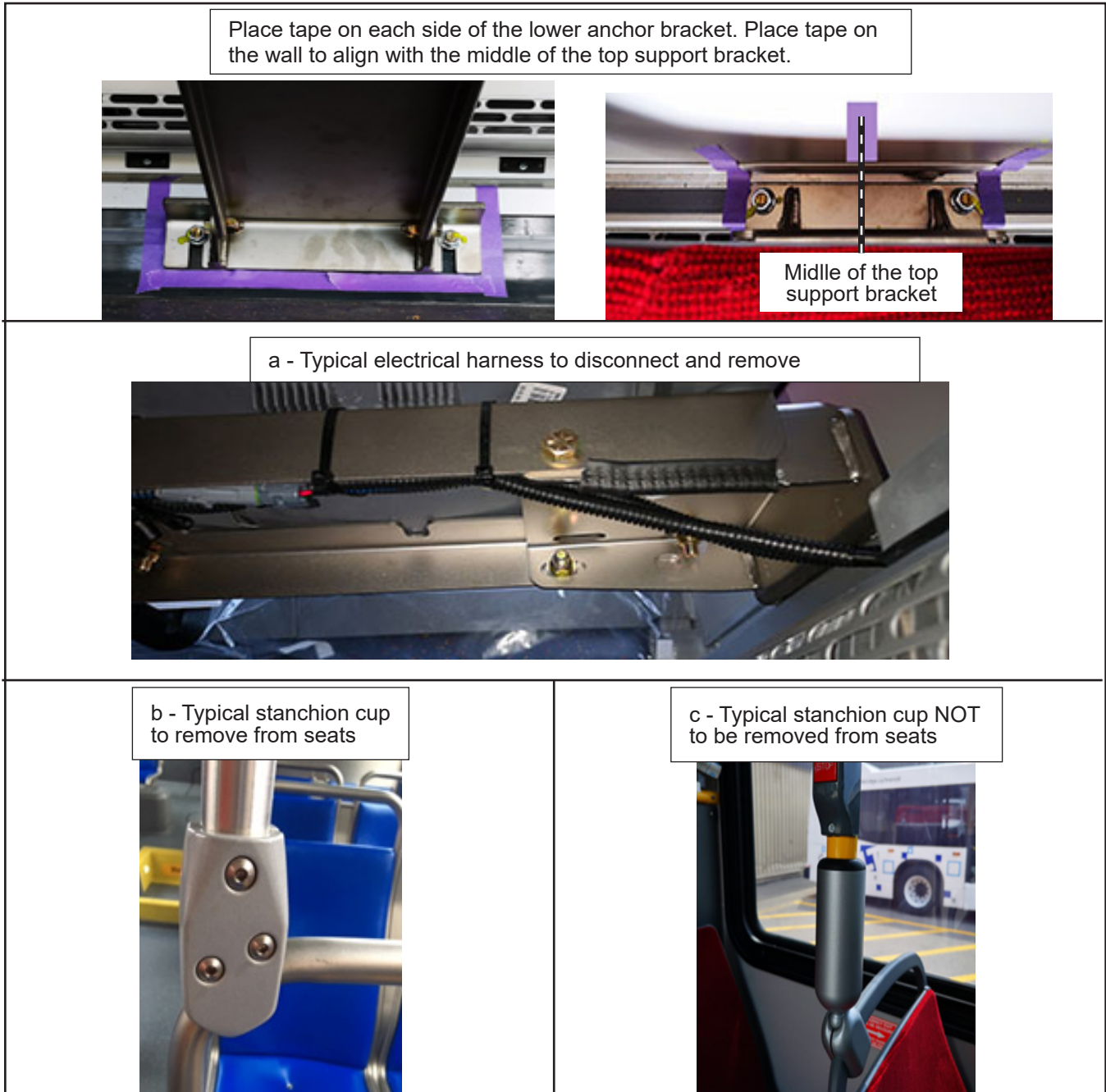


Figure 10 - Steps to Perform Before Seat Removal

- d. Remove the seats from the seat anchor rail and remove all T-bolts and nuts from the upper and lower anchor rails. Dispose of all the removed T-bolts and nuts.
- e. If equipped with an accessibility seat belt on the top anchor rail, put tape on the wall on each side of the seat belt.
- f. Cut and remove the sealer installed at each end of the rail. See Figure 11.
- g. Number the rubber filler strips installed on the upper anchor rail before removing them. Remove the numbered rubber filler strips. Retain all the rubber filler strips. See Figure 11.

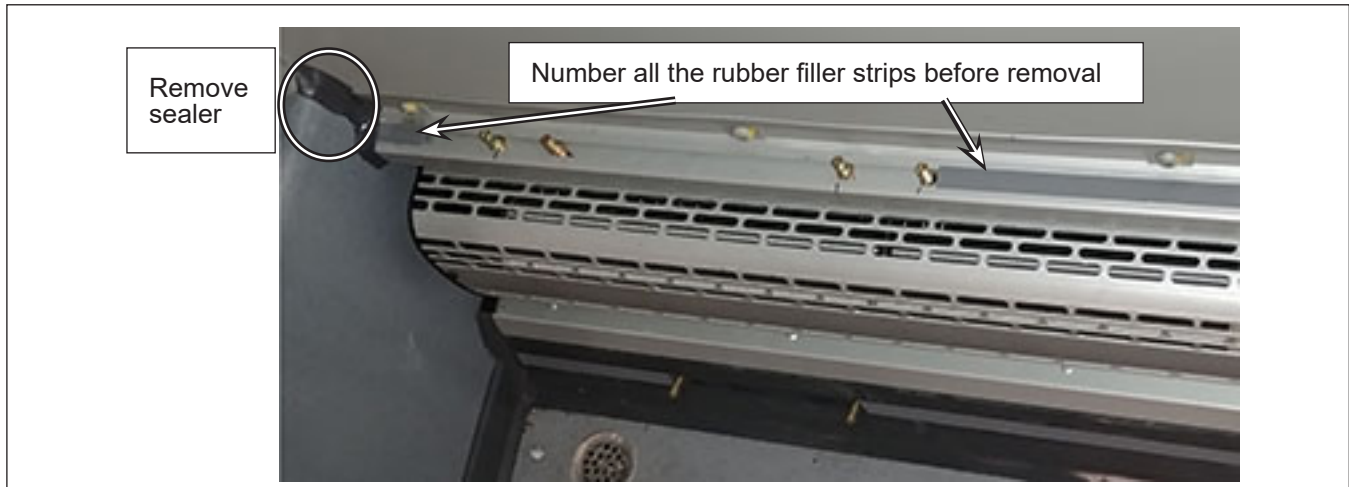


Figure 11 - Typical Anchor Rail, Rubber Filler Strips and Sealer

- h. With a manual tool remove the top anchor rail M10 anchor bolts and rectangular washers. Be careful not to strip the wall rivnuts while removing the anchor bolts. Discard the bolts and retain the rectangle washer. See Figure 12.
- i. Remove the upper anchor rail by pulling the bottom of the rail toward the center of the vehicle. Dispose of the removed anchor rail.



Figure 12 - M10 Bolts and Rectangular Washers to Remove

- j. With an M10 X 1.5 tapping tool and thread cleaner, carefully clean all the rivnuts used to affix the upper anchor rail.
- k. Install the new upper anchor rail (see the parts list and refer to your parts manual for the parts to order).
- l. Apply Loctite 242 (Nova Bus part number 9985283) or the equivalent, to each new N11344 M10 bolts. See Figure 13.
- m. To install the new upper anchor rail in position, hand tighten the new N11344 M10 bolts with the retained rectangular washers. See Figure 13.
- n. With a torque wrench, apply the torque indicated in Figure 13 to all upper anchor rail M10 bolts. Follow a linear order from back to front to torque the M10 bolts.
- o. Apply the torque a second time to each new N11344 M10 bolts affixing the upper anchor rail. See Figure 13 for torque value.

**CAUTION**

If any of the wall rivnuts spin while applying torque to the bolt, try to tighten in place with a nutsert tool. If unable to tighten in place, remove the upper anchor rail and replace the defective rivnut(s). Refer to your parts manual for the proper rivnuts to use.

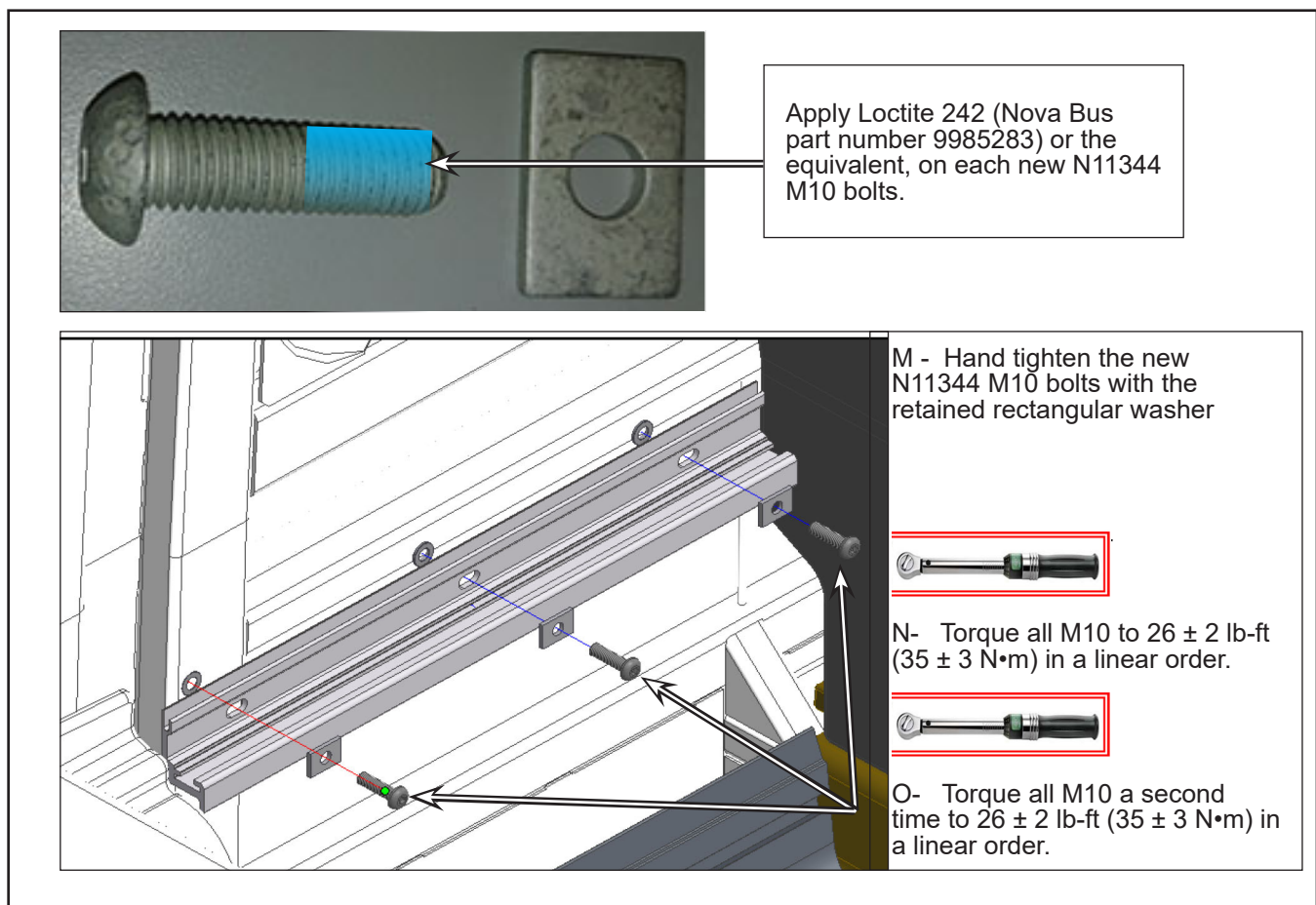


Figure 13 - Preparation and Torque to Apply on New N11344 M10 Bolts

- p. Install the retained rubber filler strips from step G, and with the tape placed on the wall in step 2.1, position them according to the number tag on each strip.
- q. Place L-bracket N8910246-BS on the upper anchor rail and position the middle hole of the L-bracket in line with the tape on the wall. Mark the rubber filler strip on each side of the L-bracket. Repeat this step for all removed cantilever seats with no stanchion affixed to the backrest.
- r. Remove L-bracket N8910246-BS and cut the portion of rubber filler strip that was under the L-bracket. Repeat this operation for all removed seats with no stanchion affixed to the backrest.
- s. Install N44620-02 T-bolts in the upper and lower anchor rail where seats were previously installed. See Figure 14.

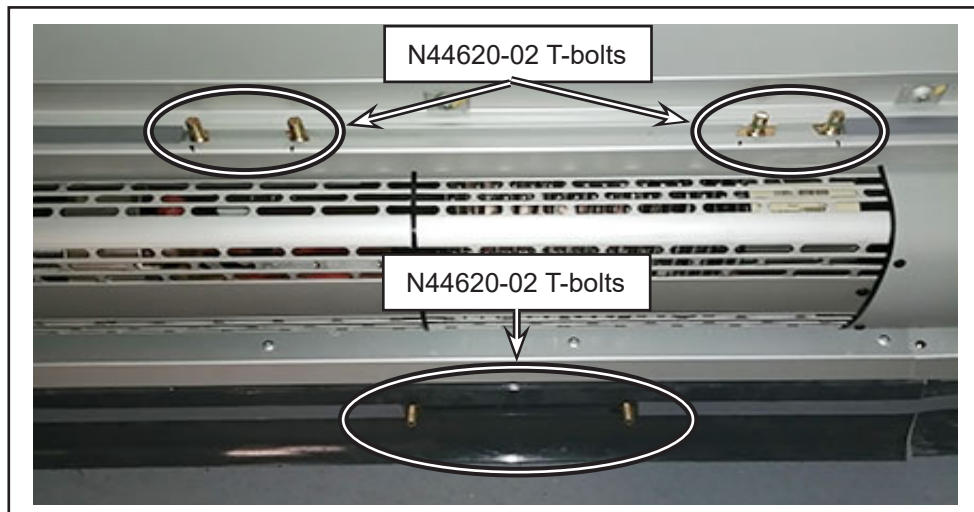


Figure 14 - T-bolts N44620-02

- t. Replace the upper support bracket on all the cantilever-type 2 passenger seats with no stanchion affixed to the backrest according to the procedure detailed in sub step D and E of step 1.2.
- u. Install the retained seats in alignment with the tape placed on the seat anchor rail and wall. See Figure 15.
- v. Affix the seats to the N44620-02 T-bolts with N37109 flanged serrated nuts.
- w. Hand tighten the N37109 flanged nuts on the T-bolts of all the affected seats. Make sure that the puncture in the T-bolts is facing the center of the vehicle. See Figure 15.
- x. With a torque wrench, apply the torque to all the N37109 flange nuts installed. See Figure 15 for torque value.
- y. Apply torque seal to all the torque nuts. See Figure 15.
- z. Install the retained seat belt(s) with new N44620-02 T-bolt and N37109 flanged serrated nuts. Align the seat belt(s) with tape. See Figure 15 for torque value.

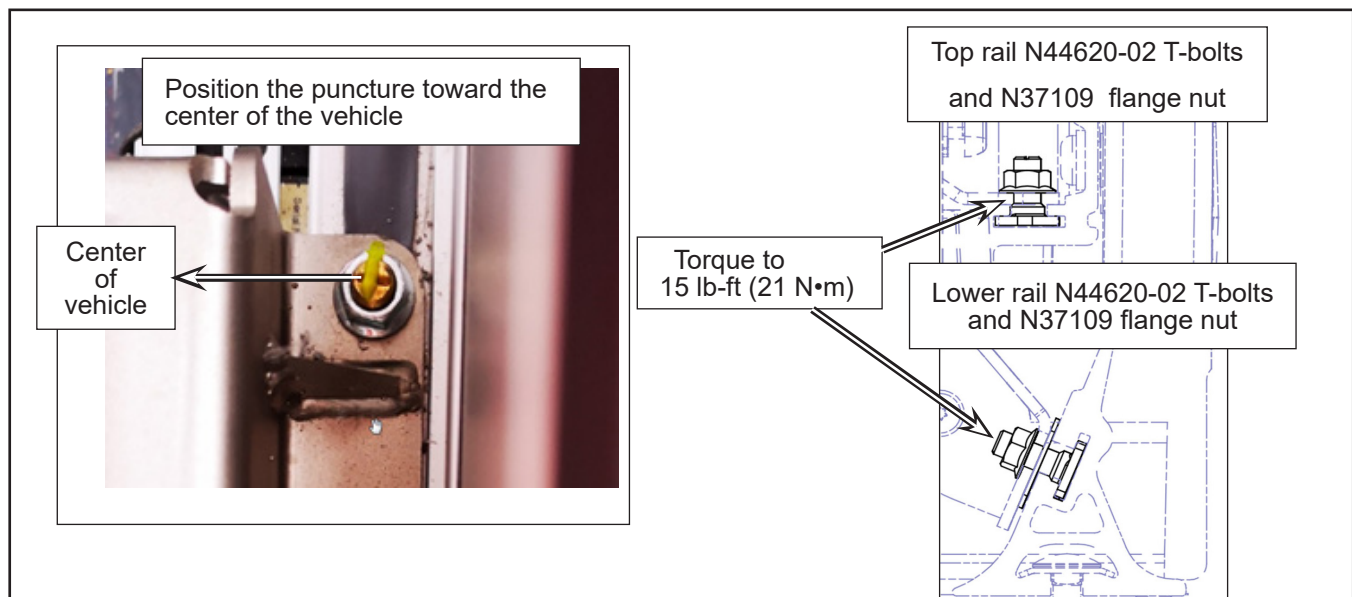


Figure 15 - T-bolts Positioning and Torque Value

- aa. If required, apply Loctite 242 (Nova Bus part number 9985283), or the equivalent to each of the retained stanchion cup bolts.
- ab. Install the retained stanchion cup with the retained hardware. See Figure 16 for torque value.

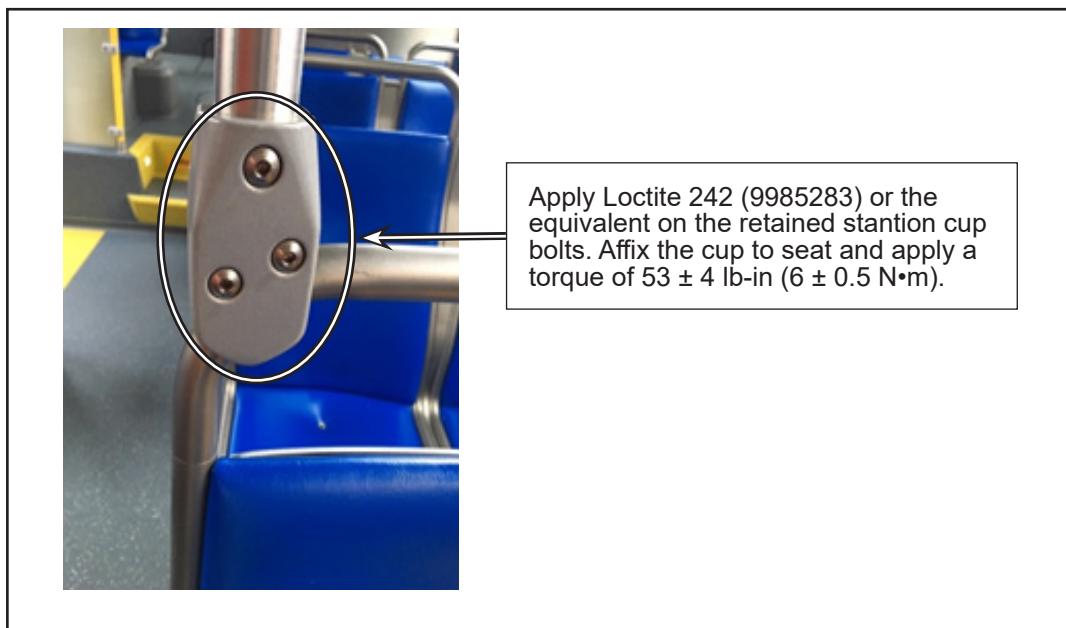


Figure 16 - Torque Value for Typical Stanchion Cup Bolts