

September 4, 2019

Version 2

Safety Recall: Takata Front Passenger's Airbag Inflator (Phase 5)

Supersedes 19-041, dated June 28, 2019, to revise the information highlighted in **yellow**.

Following NHTSA direction, there are five phases based on three different zones. This is the final phase and includes all three zones.

AFFECTED VEHICLES

| Year | Model | Trim | VIN Range |
|------------|-----------------|------|--|
| 2009-14 | TSX | L4 | Check the iN VIN status for eligibility. |
| 2010, 2012 | TSX | V6 | Check the iN VIN status for eligibility. |
| 2011-14 | TSX Sport Wagon | ALL | Check the iN VIN status for eligibility. |
| 2010-13 | ZDX | ALL | Check the iN VIN status for eligibility. |

REVISION SUMMARY

Under BACKGROUND and REPAIR PROCEDURE, the V-SMART tool was added.

BACKGROUND

NHTSA and its independent expert reviewed the findings of three independent investigations into the Takata airbag inflator ruptures. According to NHTSA, the combination of time, high temperature fluctuations, and humidity contribute to the degradation of the propellant in the inflators. NHTSA has concluded that this degradation can cause the propellant to burn too quickly, creating more pressure than the inflator can withstand, and, in extreme cases, causing the inflator to rupture and send shrapnel through the air bag toward vehicle occupants. NHTSA is prioritizing the recall of air bag inflators based on the risk of injury or death to vehicle occupants.

This is the final phase to this campaign and involves vehicles that previously had the passenger's airbag non-desiccated inflator replaced with a similar non-desiccated inflator (like for like), or airbag module replaced with one that contained a non-desiccated inflator. This replacement may have been done as part of a recall or other repair. Always do an iN VIN status inquiry to see if a vehicle is affected.

In early September 2019, the V-SMART tool was shipped to your dealership. This tool is used to help validate the installation of the front passenger's airbag replacement inflator. **Beginning September 30, 2019**, V-SMART will be a required tool for the installation of the front passenger's airbag replacement inflator. V-SMART validation for each of these repairs will be required for any and all warranty claims to be paid for such repairs. Refer to the job aid *Using V-SMART* and the *Tech2Tech*® video "Using V-SMART" for more information.

CLIENT INFORMATION: The information in this bulletin is intended for use only by skilled technicians who have the proper tools, equipment, and training to correctly and safely maintain your vehicle. These procedures should not be attempted by "do-it-yourselfers," and you should not assume this bulletin applies to your vehicle, or that your vehicle has the condition described. To determine whether this information applies, contact an authorized Acura automobile dealer.

For more information about these inflator recalls, go to www.safercar.gov and use keyword **TAKATA**.

There are several bulletins with similar years and models. Make sure to do an iN VIN status inquiry and follow the indicated service bulletin.

Do an iN VIN status inquiry and, if indicated, repair the vehicle even though the vehicle may have been repaired under a previous campaign.

NOTE

If the VIN status inquiry indicates that the vehicle is subject to any open safety recalls, including the driver's airbag inflator, make sure to also complete those recall repairs before returning the vehicle to the client. If you are unable to complete any open recall, advise the client of the recall status and when the recall could be completed.

You may receive a different part number than ordered, and the inflator may appear different. As a result, there may be different installation instructions. Make sure you review this service bulletin for installation instructions and details about model applicability.

REPAIR PROCEDURE TABLE OF CONTENTS

| Model | Page |
|-------------------------|------|
| TSX and TSX Sport Wagon | 6 |
| ZDX | 19 |

CLIENT NOTIFICATION

Owners of affected vehicles will be sent a notification of this campaign.

Do an iN VIN status inquiry to make sure the vehicle is shown as eligible.

Some vehicles affected by this campaign may be in your used vehicle inventory.

Failure to repair a vehicle subject to a recall or campaign may subject your dealership to claims or lawsuits from the client or anyone else harmed as a result of such failure. To see if a vehicle in inventory is affected by this safety recall, do a VIN status inquiry before selling it.

CORRECTIVE ACTION

Replace the passenger's airbag inflator, then return the original, undeployed inflator as directed.

PARTS INFORMATION

| Part Name | Order Part Number | You may receive any of the following | Quantity |
|---|-------------------|--------------------------------------|----------|
| 2009-14 TSX L4 Front Passenger's Airbag Inflator Kit | 04790-TL2-407 | 04790-TL2-407 04790-TL2-A00 | 1 |
| 2010, 2012 TSX V6 Front Passenger's Airbag Inflator Kit | 04790-TL2-407 | 04790-TL2-407 04790-TL2-A00 | 1 |
| 2011-14 TSX Sport Wagon Front Passenger's Airbag Inflator Kit | 04790-TL2-407 | 04790-TL2-407 04790-TL2-A00 | 1 |

| Part Name | Order Part Number | You may receive any of the following | Quantity |
|---|-------------------|--------------------------------------|----------|
| 2010-13 ZDX Front Passenger's Airbag Inflator Kit | 04790-SZN-407 | 04790-SZN-407 04790-SZN-A00 | 1 |

NOTES

- The inflator kit box must be used to return the recalled inflator to its supplier. Be careful not to damage the inflator kit box.
- If the recalled, undeployed inflator is not returned, the warranty claim for that vehicle will be charged back to your dealership.
- To return the undeployed inflators, follow the shipping instructions outlined in PIB , *Inflator Kit Return Process*.

REQUIRED TOOLS

| Tool Name | Part Number | Quantity |
|------------------|-----------------------------------|----------|
| PSPI6 Gauge Tool | 070AJ-TA00A00 or 07AAJ-TA0AA00 | 1 |

NOTES

- Each dealer was previously sent over 10 tools. If you need more, the gauge is available for dealer ordering.
- This tool is for use on the inflators with blue collars only.

WARRANTY CLAIM INFORMATION

NOTES

- Process claims as quickly as possible so that resources can be properly allocated.
- Enter the part number of the inflator that you received into the warranty claim, **not the part number that you ordered**. For more information, refer to step 6 of REPAIR PROCEDURE.
- To avoid non-payment of warranty claims, the serial number on the box of the new airbag inflator must be entered in the warranty claim. For more information, refer to step 6 of REPAIR PROCEDURE.
- To avoid a warranty claim being charged back to your dealership, you must return the recalled, undeployed inflator to its supplier. Follow the shipping instructions outlined in PIB B15-0006, *Inflator Kit Return Process*.
- The serial number is encoded into the bar code printed on the label inside of the box and on a label attached to the outside of the box. If your dealership uses a scanner, you can scan the serial number from either place into the claim.
- The part number is encoded into a barcode attached to the outside of the box. If your dealership uses a scanner, you can scan the part number into the claim.
- **If you confuse the serial number and part number when entering the claim information**, your claim will automatically be rejected.
- For more information about scanning and filing airbag inflator recall claims, refer to **Ordering and Managing Replacement Airbag Inflators**. From the iN, select **Service, Warranty, Warranty Claim**, then **Reference Guide**. Under **HOT TIPS/TOPICS**, select **Inflator Claims at a Glance**.
- Each VIN is assigned to a specific campaign. Make sure you file a claim using the correct warranty claim information to avoid your claim being rejected.

| Year/Model | Operation Number | Replacement Part Number | Flat Rate Time | Defect Code | Symptom Code | Template ID | Failed Part Number |
|-------------------------|------------------|-------------------------|----------------|-------------|--------------|-------------|--------------------|
| 2009-14 TSX L4 | 7541G3 | 04790-TL2-407 | 0.8 hr | 6EE00 | F5F00 | B19041A | 77820-TL2-A80 |
| 2010, 2012 TSX V6 | | | | | | | |
| 2011-14 TSX Sport Wagon | | | | | | | |
| 2009-14 TSX L4 | 7541G3 | 04790-TL2-A00 | 0.8 hr | 6EE00 | F5F00 | B19041B | 77820-TL2-A80 |
| 2010, 2012 TSX V6 | | | | | | | |
| 2011-14 TSX Sport Wagon | | | | | | | |
| 2010-13 ZDX | 7541G3 | 04790-SZN-407 | 0.9 hr | 6EE00 | F5F00 | B19041C | 77851-SZN-A03 |
| | 7541G3 | 04790-SZN-A00 | 0.9 hr | 6EE00 | F5F00 | B19041D | 77851-SZN-A03 |

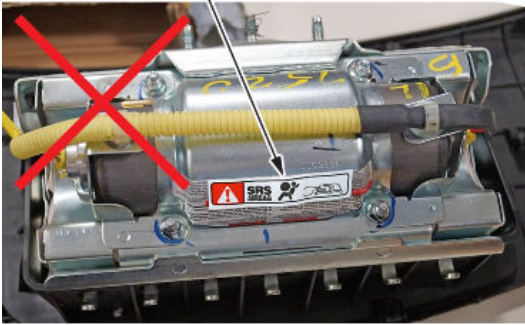
Skill Level: Repair Technician

IDENTIFYING COUNTERFEIT AIRBAGS

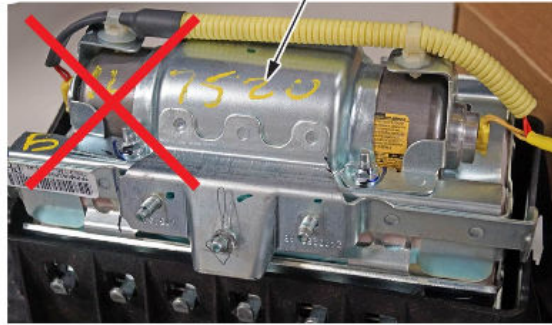
This section goes over the steps to identify counterfeit airbags and applies to all vehicles in this service bulletin. It is referred to in each vehicle's repair procedure. Click [HERE](#) to watch a video to help identify counterfeit airbags.

- If there is nothing unusual about the airbag or the inflator, continue with the inflator replacement procedure.
- If there are any unusual markings, like an incorrect label or a model year written in marker, the airbag and inflator may not be the correct airbag and/or inflator for the vehicle or it may be a counterfeit part. For more information about counterfeit airbags, you can refer to safercar.gov, enter keywords **MANAGING COUNTERFEIT**, and select **Recommended Dealer Guidance for Managing Counterfeit Air Bags** from the list. **If you suspect that the airbag or inflator is counterfeit, do not continue this procedure.** Contact your for assistance.

NON-STANDARD SAFETY LABEL



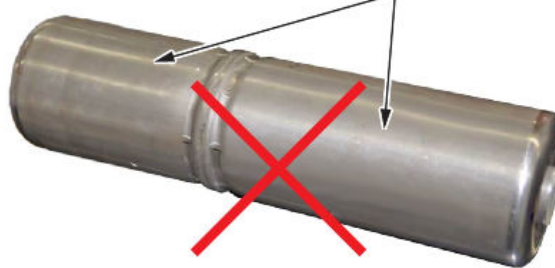
GREASE PENCIL OR PAINT MARKINGS



HAND ENGRAVING



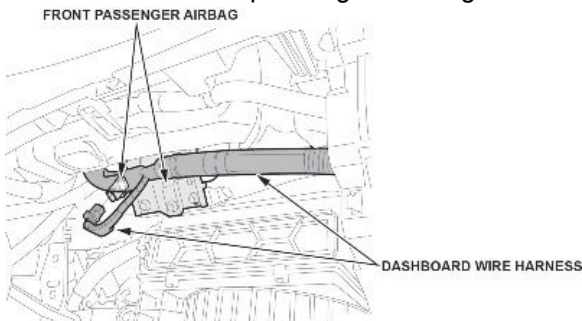
NO LABELS ON INFLATOR



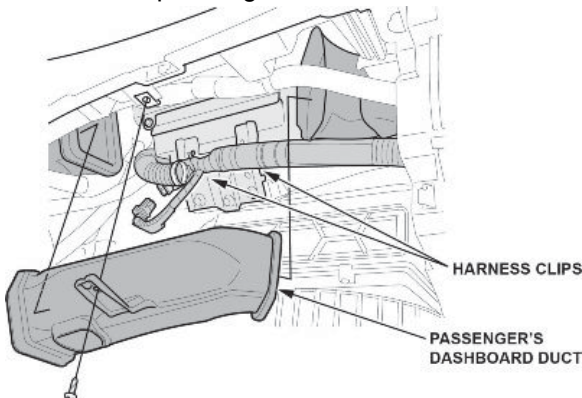
REPAIR PROCEDURE TSX (L4 AND V6) AND TSX SPORTS WAGON

NOTES

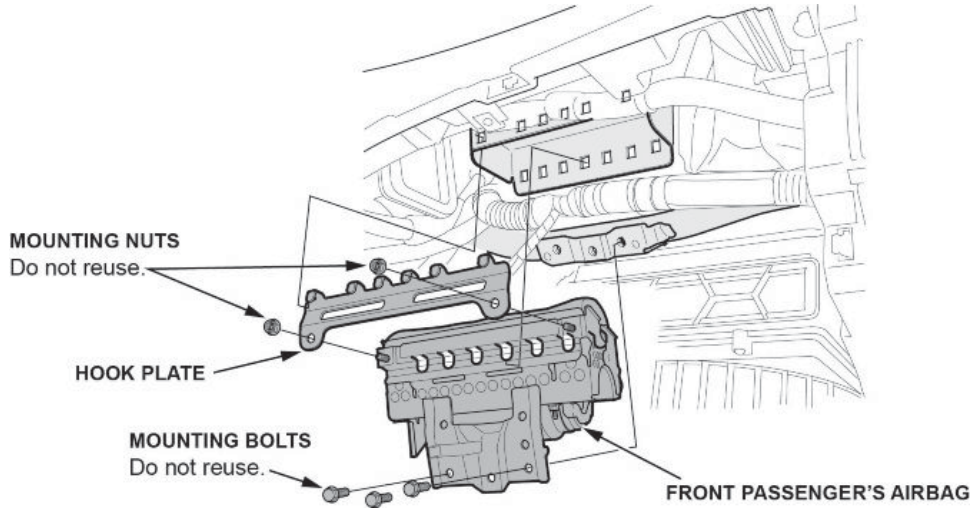
- If the VIN status inquiry indicates that the vehicle is subject to any open safety recalls, including the driver's airbag inflator, make sure to also complete those recall repairs before returning the vehicle to the client. If you are unable to complete any open recall, advise the client of the recall status and when the recall could be completed.
 - Make sure you have the anti-theft code for the audio and navigation system (if applicable), then write down the frequencies for the audio unit presets.
 - Be careful not to damage any parts when replacing the inflator, and **follow the procedure exactly**.
 - If, before removing the airbag, you suspect that it may be the incorrect airbag for the vehicle or a counterfeit, **do not remove the airbag**. Contact your DPSM for assistance.
 - Make sure you have reviewed the SRS Precautions and Procedures in the service information before doing the REPAIR PROCEDURE.
1. Turn the ignition to ON, and check if the SRS indicator comes on for about 6 seconds, then turns off.
 - If the indicator comes on, then turns off after about 6 seconds, turn the ignition OFF, then go to step 2.
 - If the indicator does not come on, or if it stays on, contact your DPSM for assistance.
 2. Disconnect the battery negative cable and wait at least 3 minutes before continuing.
 3. Remove the front passenger's airbag.
 - 3.1. Remove the glove box and the passenger's dashboard trim. Refer to the service information.
 - 3.2. Disconnect the front passenger's airbag 4P connector from the dashboard wire harness.



- 3.3. Remove the passenger's dashboard duct, then detach the harness clips.



3.4. Remove the mounting nuts and the mounting bolts. Release the hooks of the hook plate and remove it.

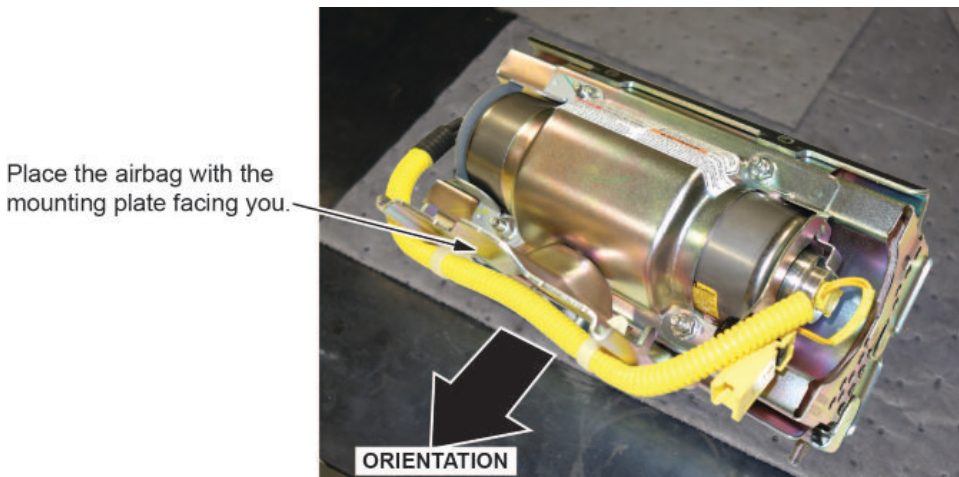


3.5. Remove the front passenger's airbag.

4. Place the airbag, face-down, on a clean shop towel.

NOTES

- The orientation of the airbag is critical because if the inflator is installed incorrectly, the harness will be too short when you reinstall the airbag.
- The brackets between the various models are similar but may differ from the example shown.



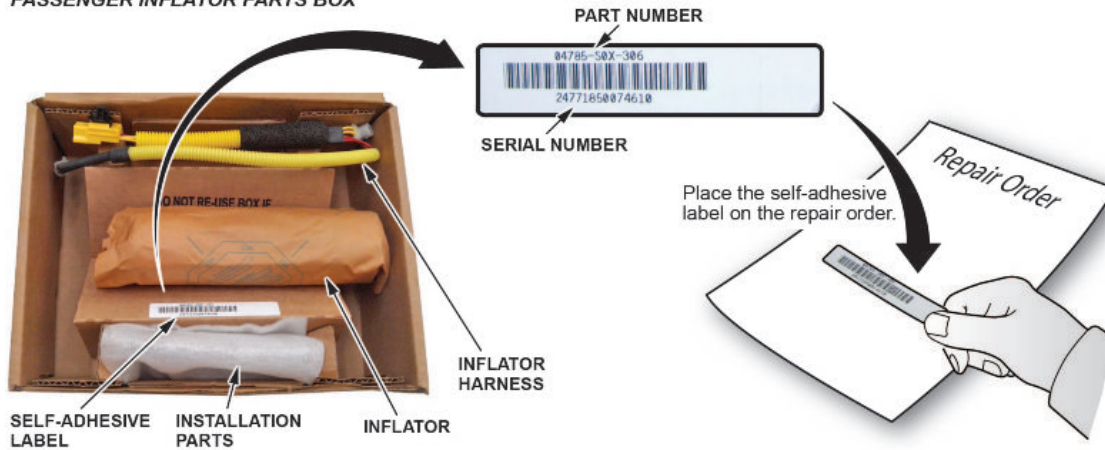
5. Visually inspect the airbag and the inflator for any unusual writing or markings. Refer to IDENTIFYING COUNTERFEIT AIRBAGS.

6. Peel the label located inside the inflator box from its backing, and attach it to the RO. For the warranty claim to be paid, the **replacement inflator part number that you received** must be included in the warranty claim.

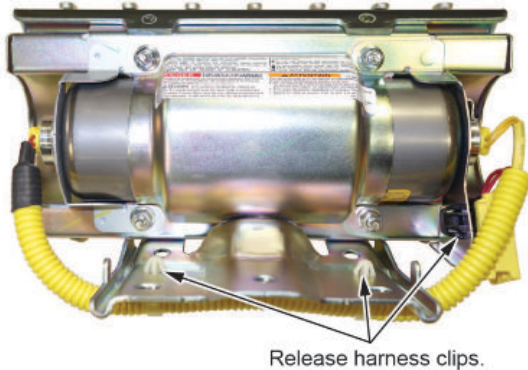
NOTES

- The replacement part number is printed on the top part of the label and the serial number is printed on the bottom. **Make sure you attach the label to the RO and give it to the warranty clerk .**
- There may also be a colored sticker located in the kit, ignore it because it is not used.
- Not all inflator kits have a label included. In those cases, write the serial number and part number from the side of the inflator box on the RO. The part number always starts with 047.

PASSENGER INFLATOR PARTS BOX



7. Remove the harness from the inflator bracket.



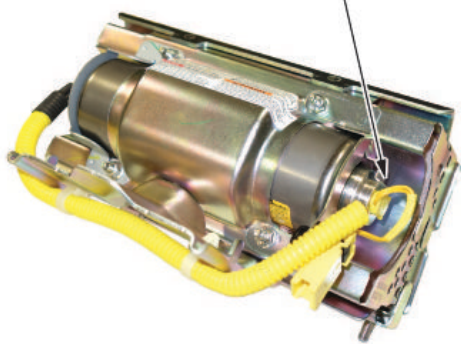
8. Short the yellow wires.

NOTES

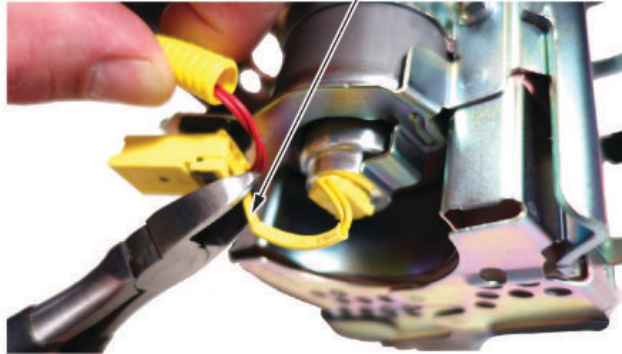
- **You must cut the yellow wires** for inflator removal and short the yellow wires on the inflator side as indicated to prevent accidental deployment.
- **Do not cut the red wires** because the airbag connector shorts these inflator wires.

8.1. Cut the yellow wires as shown.

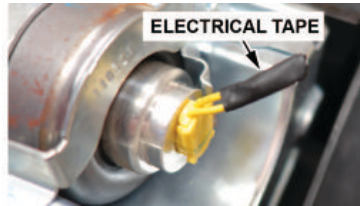
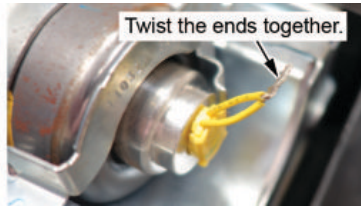
Cut the harness on this side.



Cut the yellow wires.

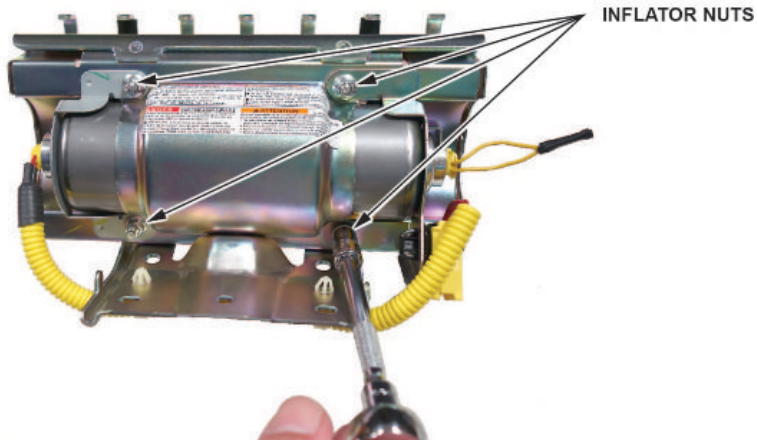


8.2. Strip away about 1 inch of the yellow wire insulation, then twist the wires together.



8.3. Tape the twisted ends with electrical tape.

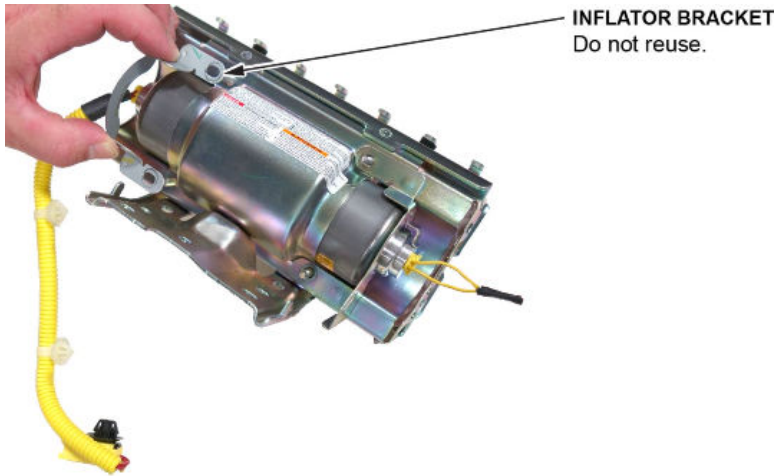
9. Remove the four inflator nuts.



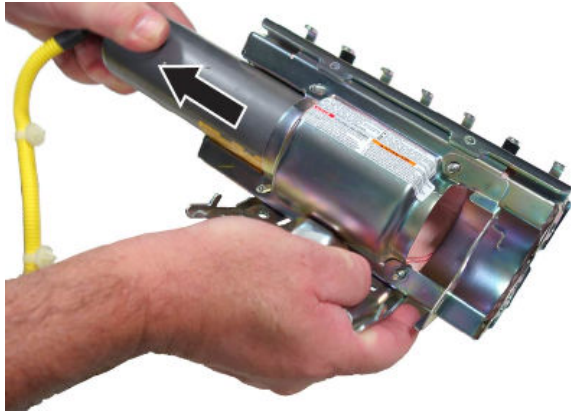
10. Remove the inflator bracket.

NOTES

- You can only remove one of the brackets, as the other is welded to the airbag housing.
- Do not reuse the bracket; use the new one that came in the inflator kit.



11. Remove the inflator by pulling it out.



12. Install the new inflator.

NOTE

There may be some minor surface rust or corrosion on the new inflator; this is OK.

Click [HERE](#) for a short video about the different variations of the driver's and front passenger's replacement inflators involved with the recalls related to inflators. While both the driver's and front passenger's inflators are shown in the video, this is informational only. Replace inflators only as directed by the iN VIN status inquiry.

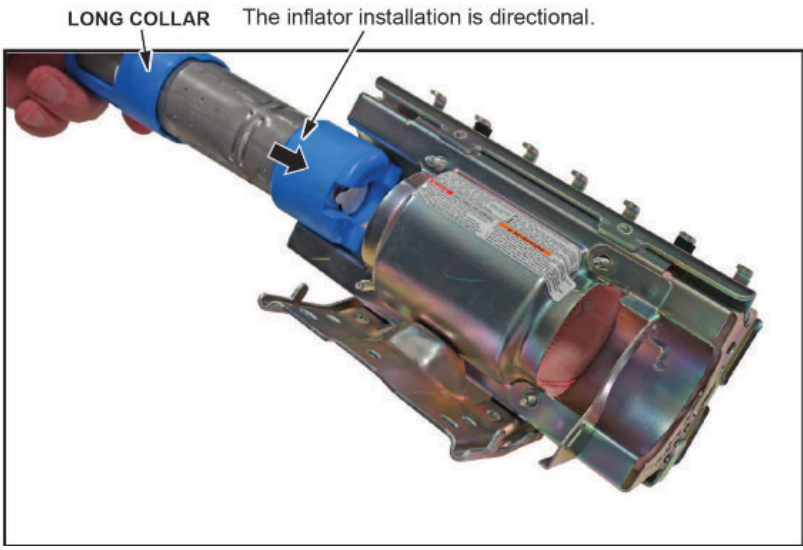
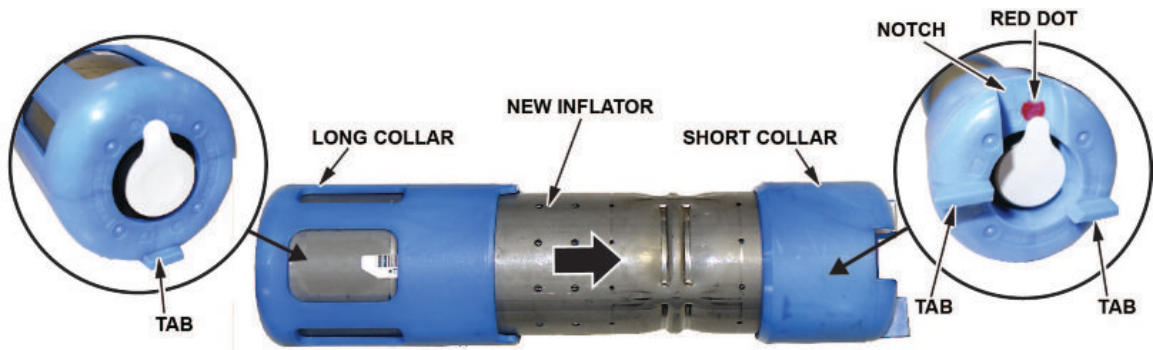
Check your part number against the ones listed for each installation procedure. Use the correct installation procedure for the part you received.

| | |
|---------------|---------------|
| 04790-TL2-407 | 04790-TL2-A00 |
|---------------|---------------|

12.1. One side of the inflator has a longer collar, a single tab, and a small flat spot on the connector. The other side of the inflator has a shorter collar, two tabs, and a notch with a red dot. **Make sure you insert the end with the shorter collar into the airbag first.**

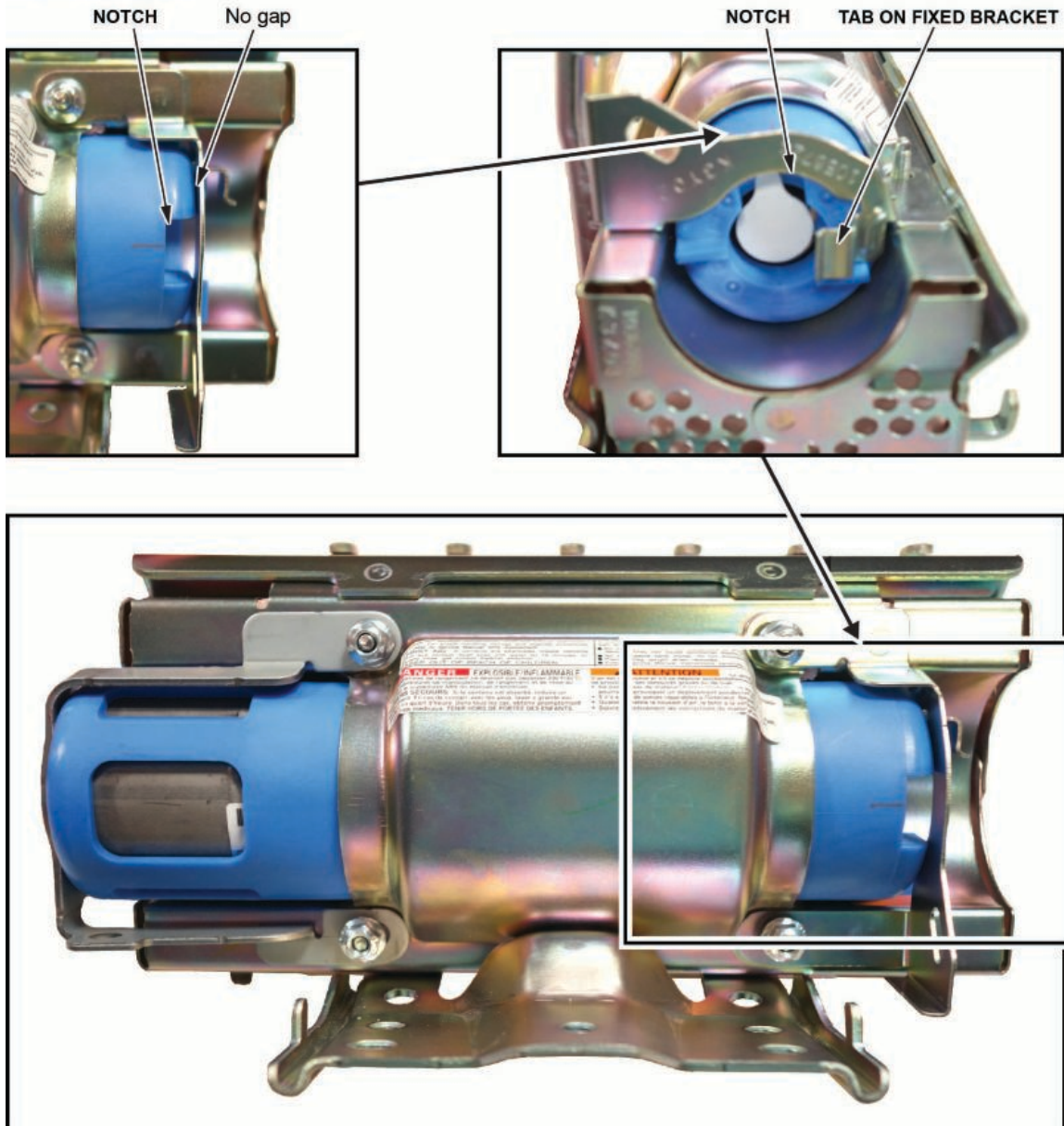
NOTES

- The V-SMART tool can only validate inflators with slotted end caps. You may receive an inflator with solid end caps. This is the correct part to repair the vehicle, but the V-SMART will fail the validation. **The V-SMART validation must fail a total of three times** before you can have your supervisor override the validation using the **Supervisor Inspection Override**.
- Your supervisor can be a service manager, shop foreman, team leader, etc. **The supervisor must inspect your work** to make sure the replacement inflator was installed correctly. When a supervisor enters his or her information, **the supervisor is signing off that the technician's work was inspected and approved.**



12.2. Slide the inflator in until the plastic collar contacts the bracket. The two tabs should align with the side of the airbag module and the metal tab as shown. There should be no space or gap between the inflator and bracket.

FIXED BRACKET END

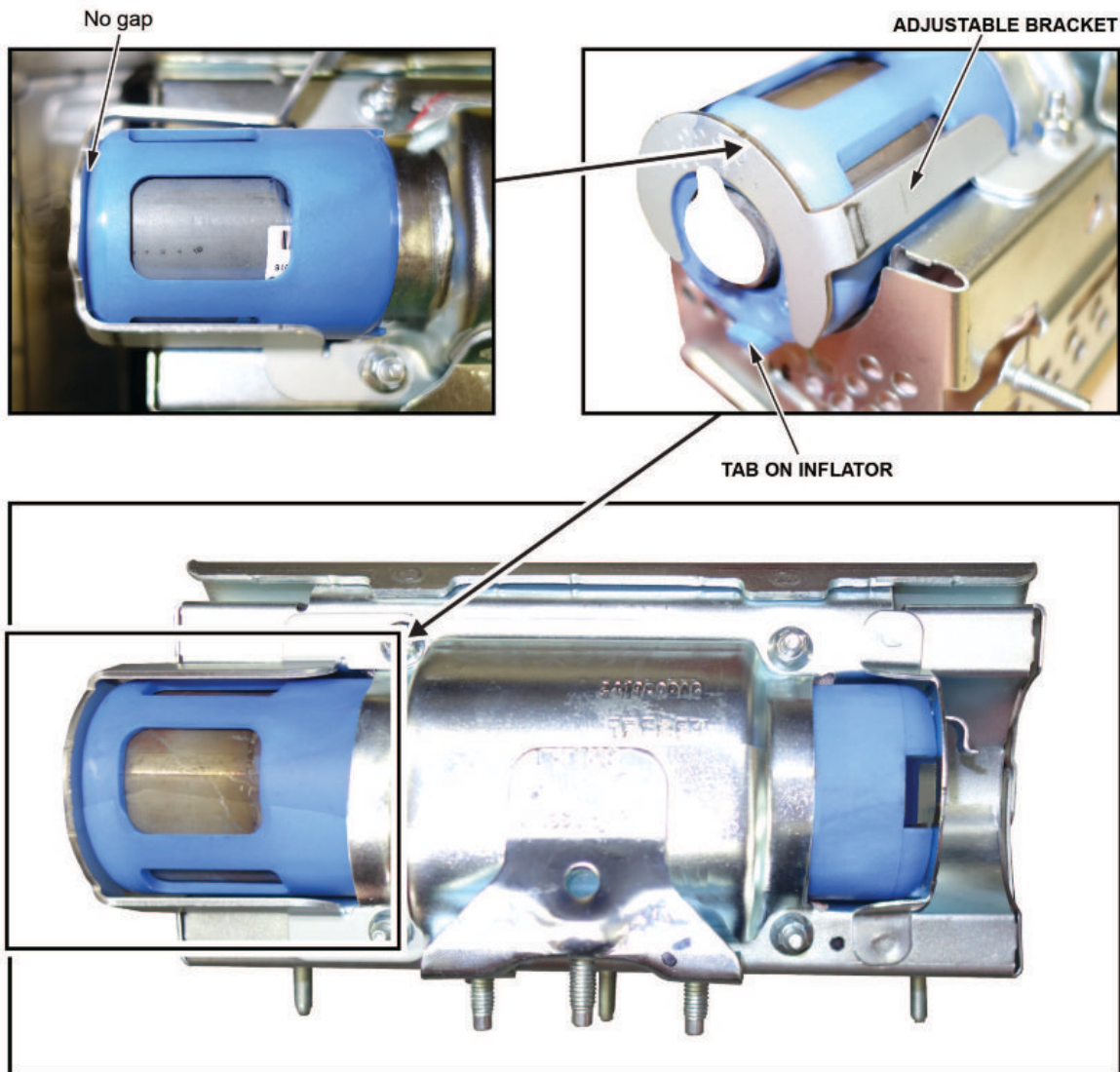


- 12.3. Install the bracket included in the kit onto the airbag module. Check there is no space or gap between the inflator and bracket by pushing the bracket against the inflator.

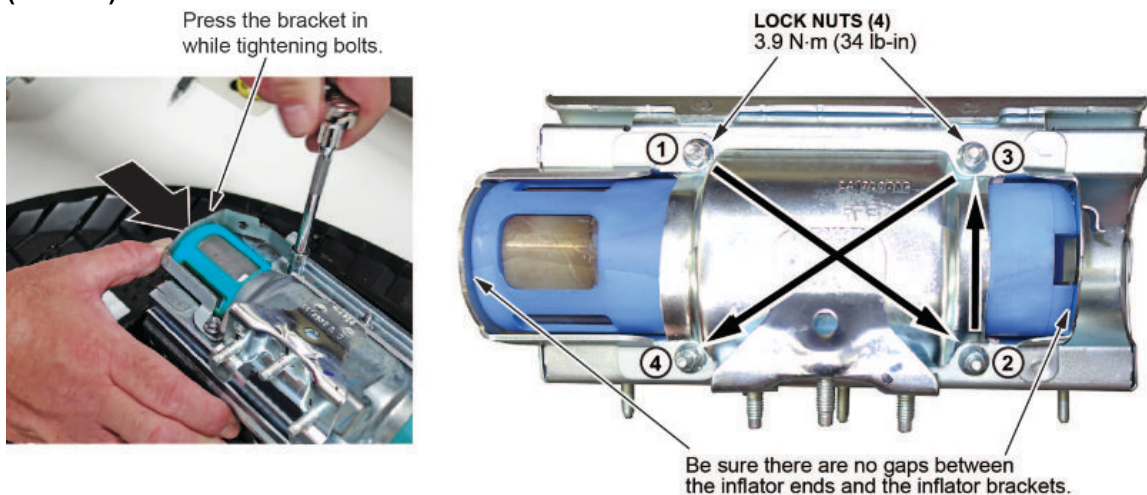
NOTE

The bracket may have a little bit of play before you install the new nuts.

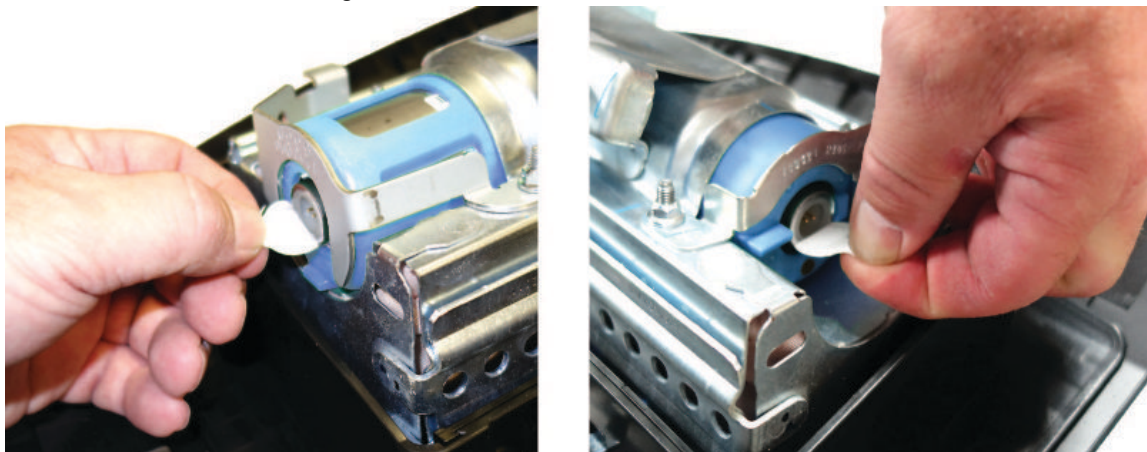
ADJUSTABLE BRACKET END



13. Hold the bracket against the inflator, then install the new 5 mm locknuts and torque them in sequence to **3.9 N•m (34 lb-in)**.



14. Remove the stickers covering the terminals on both sides of the new inflator.



15. Using the V-SMART tool, validate that the airbag replacement inflator is installed correctly.

NOTES

- You must validate the front passenger's airbag replacement inflator installation using the V-SMART tool **before** connecting the inflator harness.
- Your warranty claim will not be paid if the V-SMART validation is not completed or the photo is not sent. Make sure you see the **Uploaded Completed** message to confirm the photo was sent to the warranty department.

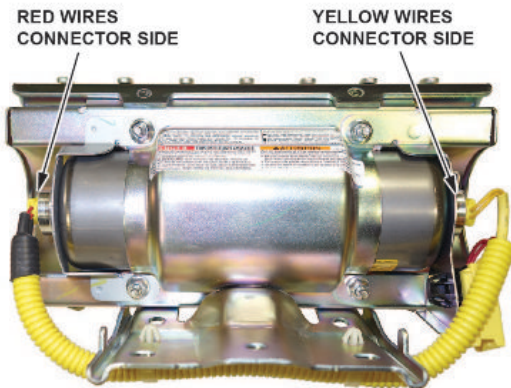
16. Install the new inflator harness.

16.1. Make sure the airbag and harness are aligned as shown.

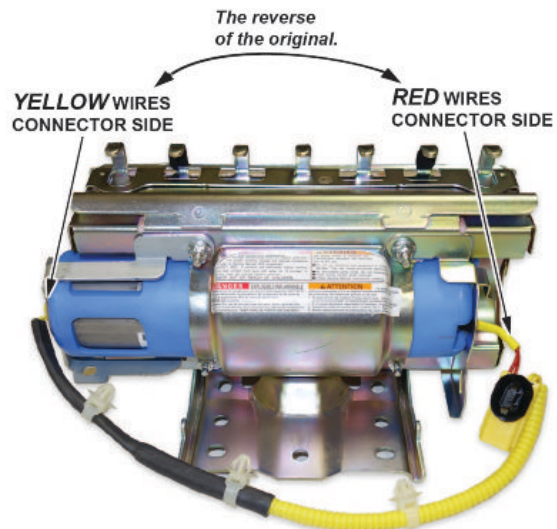
NOTES

- **The replacement inflator harnesses may have the wire colors in the opposite positions of the original harness.** If you connect the harness incorrectly, the harness cannot be removed and you will not be able to reinstall the airbag because the harness will be too short.
- Connect the red wire connector to the side of the inflator with the red dot on the short collar side.
- The red dot is difficult to see because it is covered by the bracket.

ORIGINAL INFLATOR HARNESS ROUTING

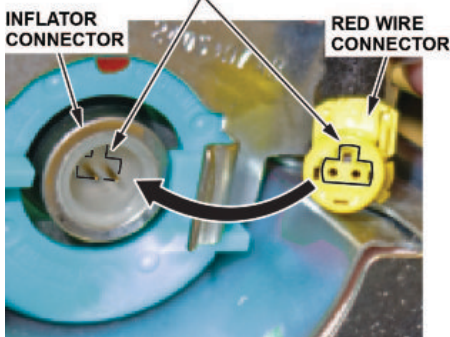


NEW INFLATOR HARNESS ROUTING



16.2. Connect the red wire connector to the connector on the side with the short plastic collar. Align the "T" shape in the inflator harness connector with the T-shaped inflator connector, then press the connector into place.

- ① Match up the "T" shape as shown. The connectors are directional.



- ② Press the connector into place until it clicks.



- ③ Wiggle the connector to make sure it's secure.



16.3. Connect the yellow wire connector to the connector on the side with the long plastic collar.

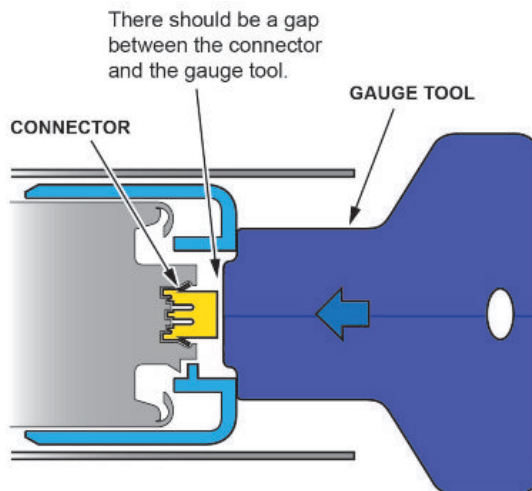
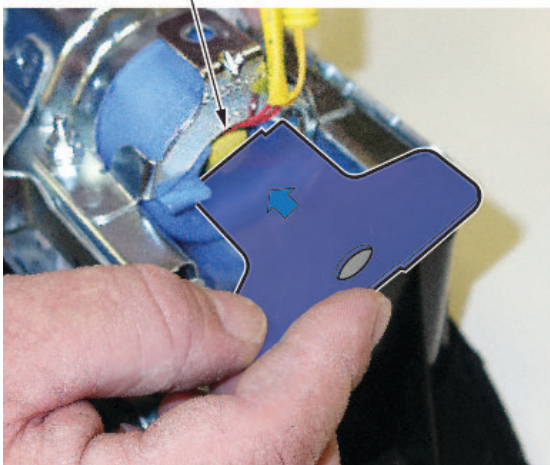
16.4. After you hear each connector click, wiggle it to make sure it is secure.

NOTE

If the connector is not properly aligned, it will come out.

16.5. Make sure the connector is secure and in place by using the gauge tool. (PSP16 Gauge Tool P/N: 070AJ-TA00A00 or 07AAJ-TA0AA00).

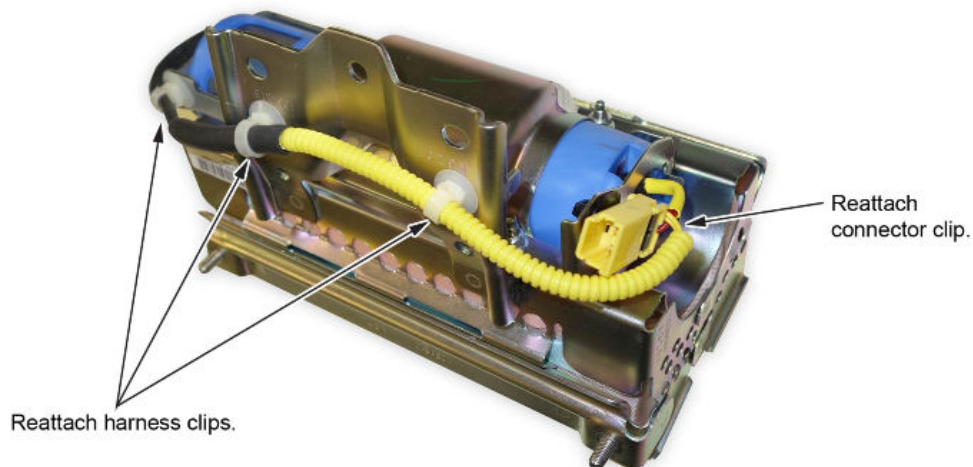
Be sure the connector is fully seated by checking it with the gauge tool.



17. Connect the harness to the inflator brackets.

17.1. Attach the connector clip.

17.2. Attach the harness clips onto the inflator bracket. Make sure the harness is securely inserted and that it does not sag.

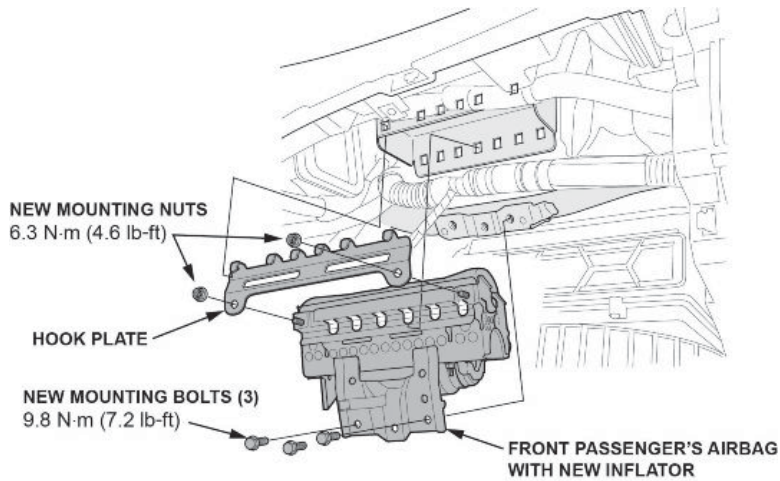


18. Install the airbag.

18.1. Place the front passenger's airbag into the dash panel. Install the hook plate and install the new mounting nuts and new mounting bolts finger tight.

NOTE

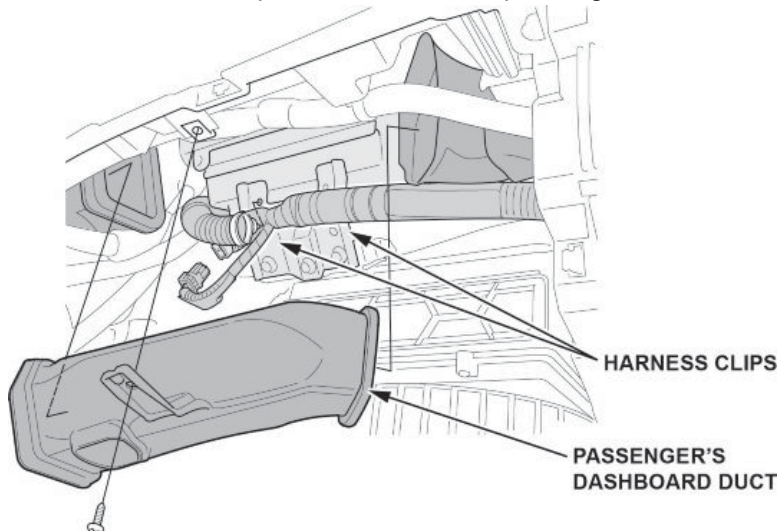
Make sure the hooks are set properly.



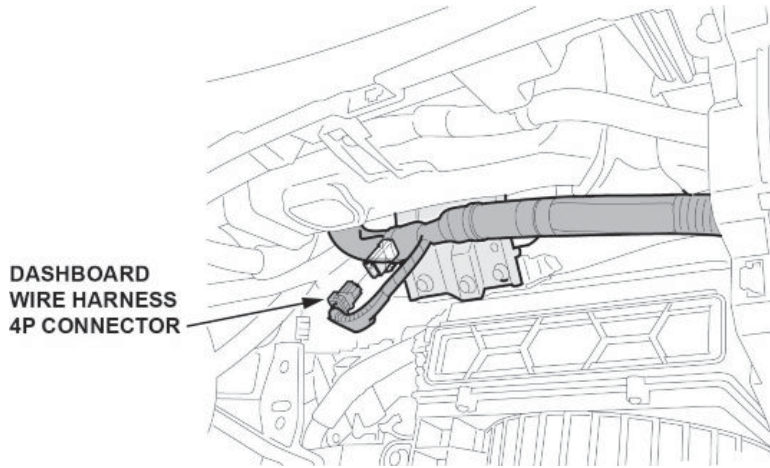
18.2. Torque the mounting nuts and bolts to the following specifications:

- Mounting nuts **6.3 N·m (4.6 lb-ft)**
- Mounting bolts **9.8 N·m (7.2 lb-ft)**

18.3. Install the harness clips, then reinstall the passenger's dashboard duct.



18.4. Connect the dashboard wire harness 4P connector to the front passenger's airbag, then reinstall the glove box.



18.5. Install the passenger's dashboard trim. Refer to service information.

19. Connect the battery negative cable and enter the anti-theft code for the audio and navigation system (if applicable), then enter the audio unit presets.
20. Set the clock (for vehicles without navigation).
21. Turn the ignition to ON and make sure the SRS indicator comes on for about 6 seconds, then goes off.
22. Put the original inflator into the box the new one came in. Make sure there is no other hardware in the box because if the package rattles, it will not be accepted by the courier.
23. Follow the shipping instructions outlined in PIB B15-0006 to return the undeployed inflator.
24. Give your warranty clerk the RO that includes the replacement inflator serial number and replacement part number. For the warranty claim to be paid, the **replacement inflator part number** must be included in the warranty claim.

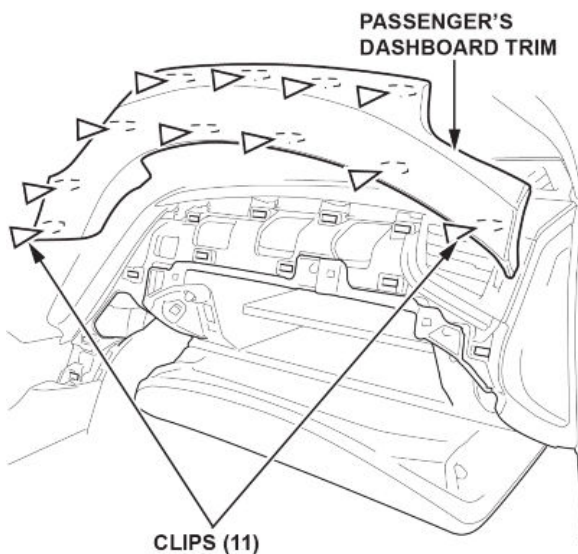
REPAIR PROCEDURE ZDX

NOTES

- If the VIN status inquiry indicates that the vehicle is subject to any open safety recalls, including the driver's airbag inflator, make sure to also complete those recall repairs before returning the vehicle to the client. If you are unable to complete any open recall, advise the client of the recall status and when the recall could be completed.
 - Make sure you have the anti-theft code for the audio and navigation system (if applicable), then write down the frequencies for the radio's preset buttons.
 - Be careful not to damage any parts when replacing the inflator, and **follow the procedure exactly**.
 - If, before removing the airbag, you suspect that it may be the incorrect airbag for the vehicle or a counterfeit, **do not remove the airbag**. Contact your DPSM for assistance.
 - Make sure you have reviewed the SRS Precautions and Procedures in the service information before doing the REPAIR PROCEDURE.
1. Turn the ignition switch to the ON (II) position and check if the SRS indicator comes on for about 6 seconds, then turns off.
 - If the indicator comes on, then turns off after about 6 seconds, turn the ignition OFF, then go to step 2.
 - If the indicator does not come on, or if it stays on, contact your DPSM for assistance.
 2. Disconnect the battery negative cable and wait at least 3 minutes before continuing.
 3. Remove the front passenger's airbag.
 - 3.1. Remove the front passenger's dashboard trim.

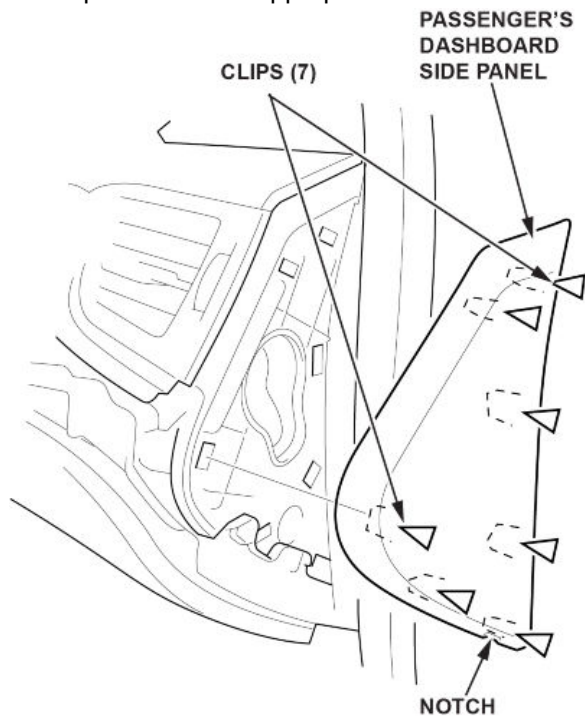
NOTES

- Make sure you don't scratch the dashboard or its related parts.
- Use the appropriate tool from the KTC trim tool set to avoid damage when removing components.

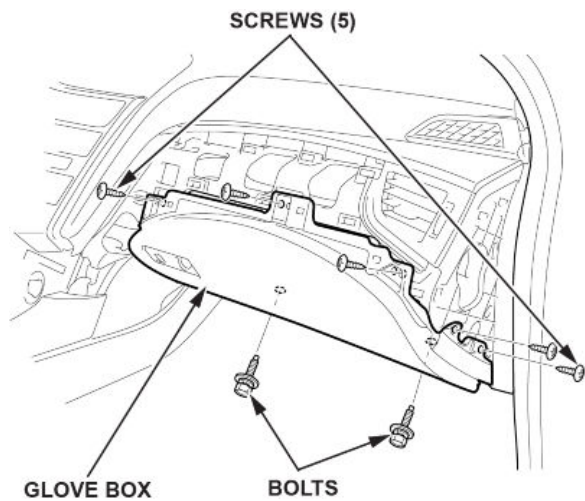


3.2. Remove the glovebox.

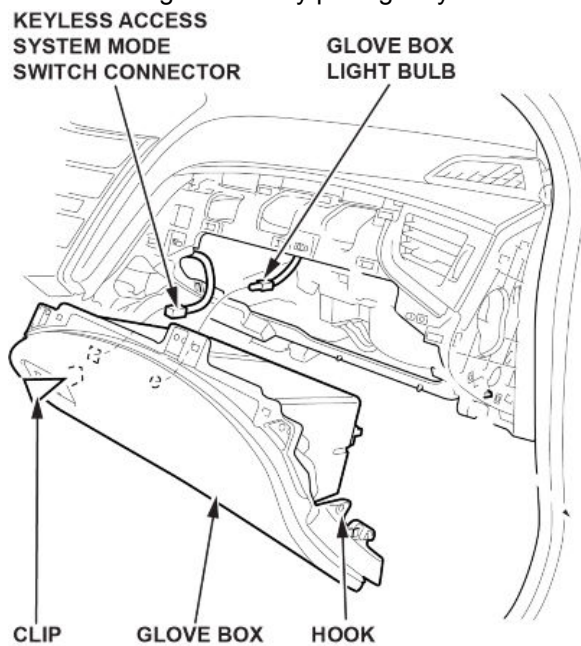
3.2.1. Remove the passenger's dashboard side panel by opening the door and then gently prying the notch of the panel with the appropriate trim tool to detach the clips.



3.2.2. Remove the bolts and screws.

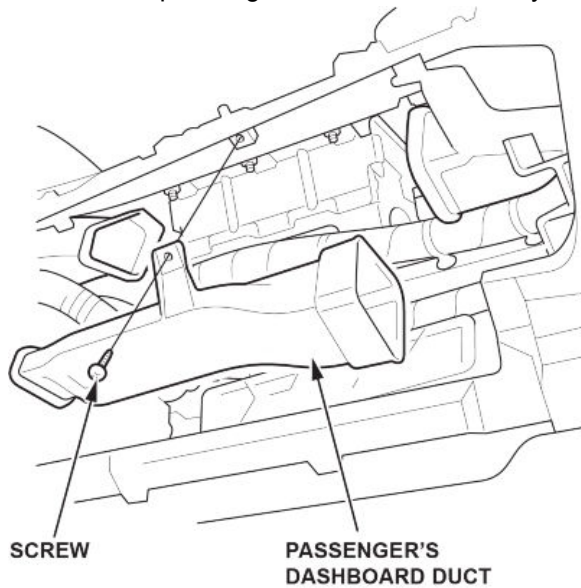


3.2.3. Remove the glove box by pulling it by hand to detach the clip.

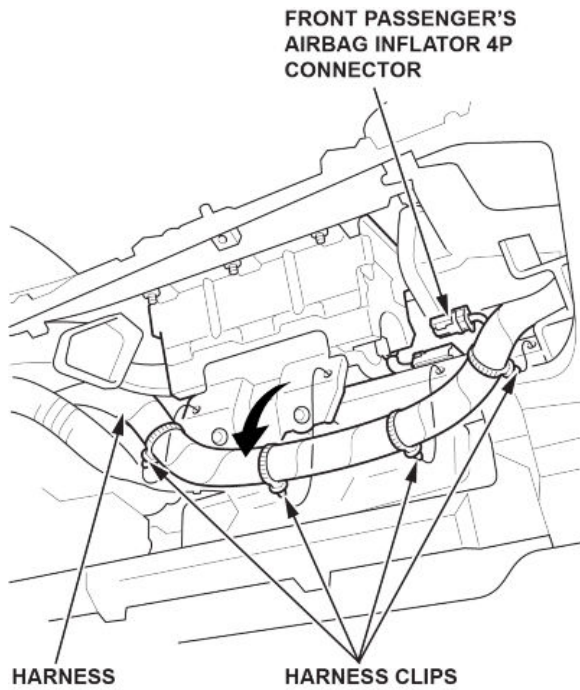


3.2.4. While holding the glove box, disconnect the glove box light connector and the keyless access system mode switch connector (if equipped).

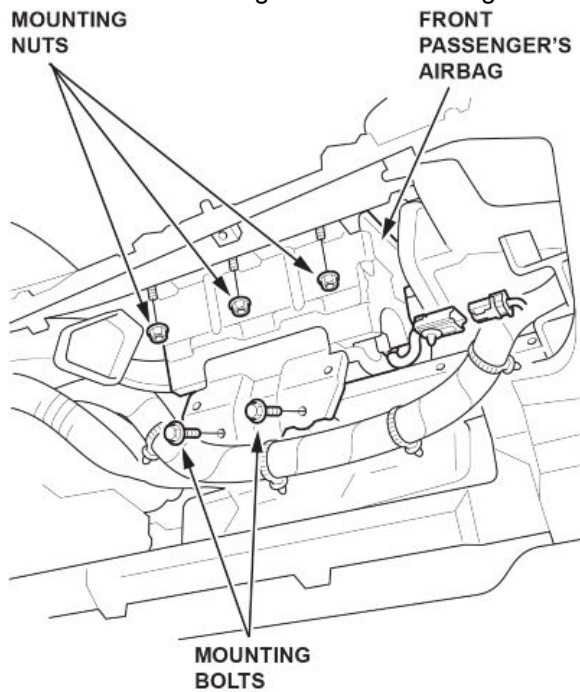
3.3. Remove the passenger's dashboard ducts by removing the screw.



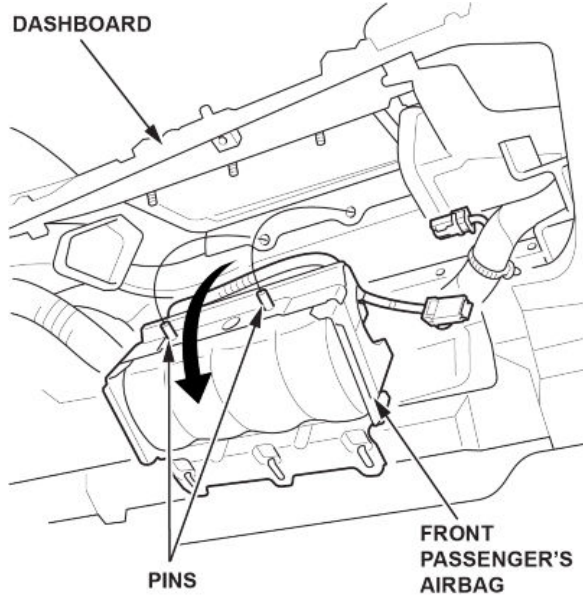
- 3.4. Detach the airbag harness clips. Pull down the wire harness, then disconnect the front passenger's inflator connector.



- 3.5. Remove the mounting nuts and mounting bolts from the front passenger's airbag.



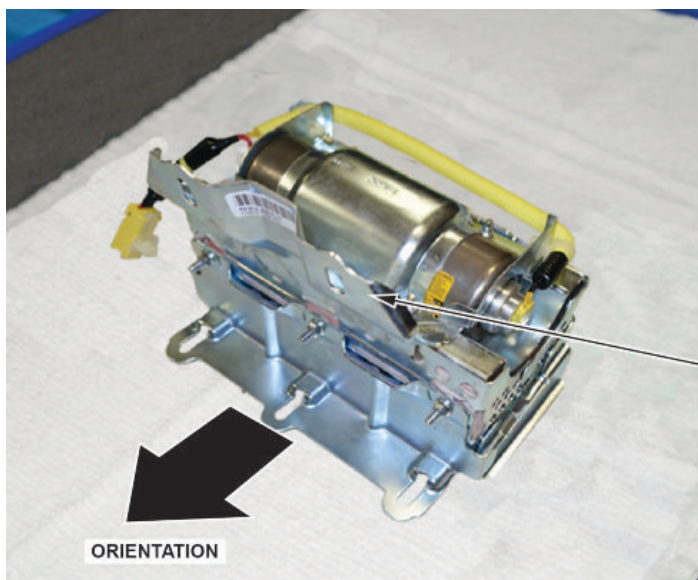
3.6. Release the pins and remove the front passenger's airbag.



4. Place the airbag, face-down, on a clean shop towel.

NOTES

- The orientation of the airbag is critical because if the inflator is installed incorrectly, the harness will be too short when you reinstall the airbag.
- The brackets between the various models are similar but may differ from the example shown.



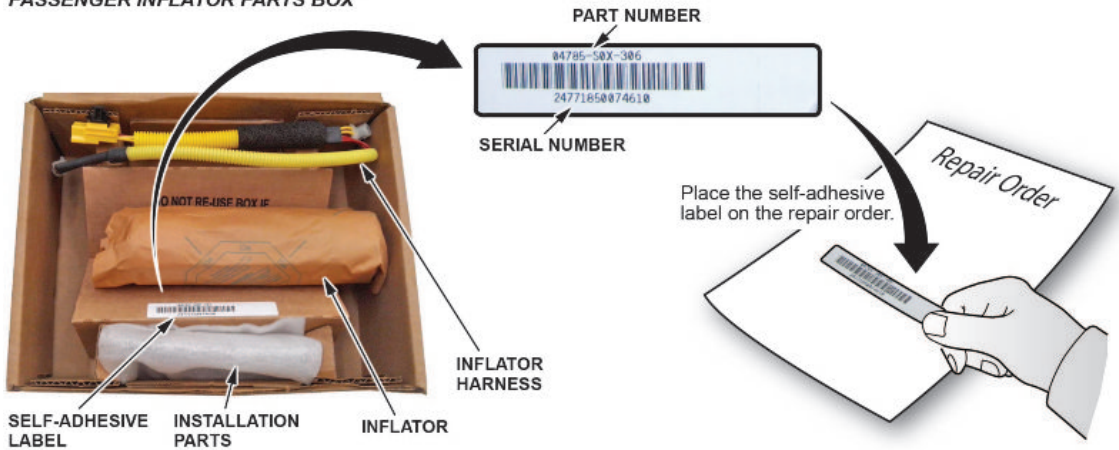
5. Visually inspect the airbag and the inflator for any unusual writing or markings. Refer to IDENTIFYING COUNTERFEIT AIRBAGS.

6. Peel the label located inside the inflator box from its backing and attach it to the RO. For the warranty claim to be paid, the **replacement inflator part number that you received** must be included in the warranty claim.

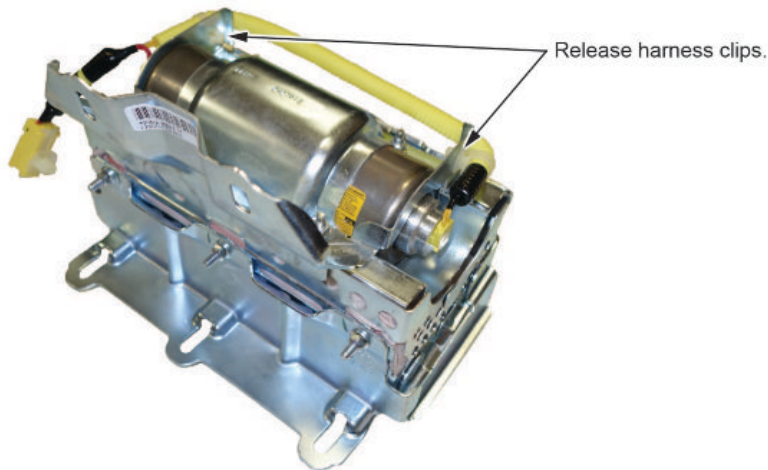
NOTES

- The replacement part number is printed on the top part of the label and the serial number is printed on the bottom. **Make sure you attach the label to the RO and give it to the warranty clerk .**
- There may also be a colored sticker located in the kit, ignore it because it is not used.
- Not all inflator kits have a label included. In those cases, write the serial number and part number from the side of the inflator box on the RO. The part number always starts with 047.

PASSENGER INFLATOR PARTS BOX



7. Remove the harness from the inflator bracket.

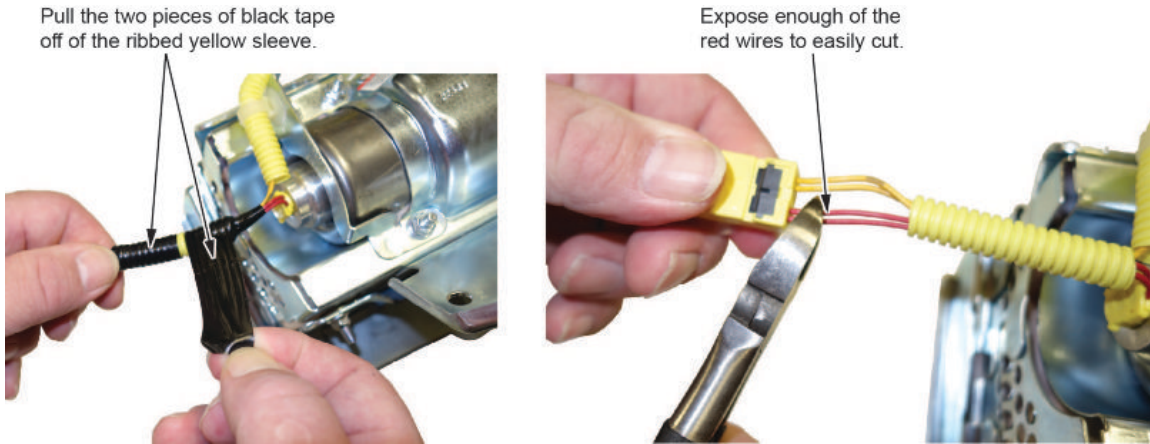


8. Short the red wires.

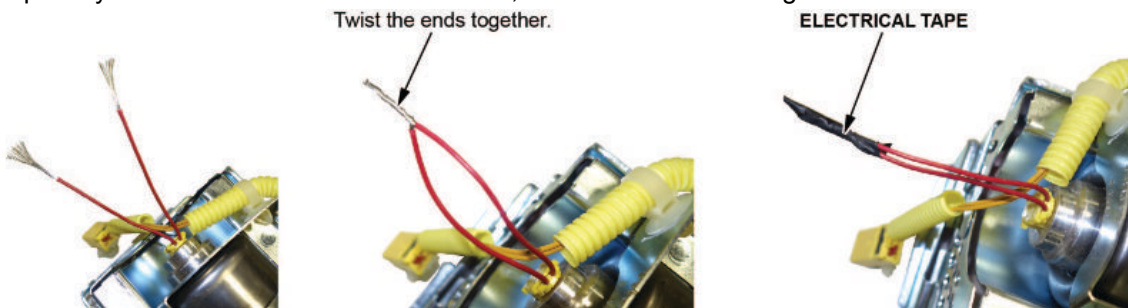
NOTES

- **You must cut the red wires** for inflator removal and short the red wires on the inflator side as indicated to prevent accidental deployment.
- **Do not cut the yellow wires** because the airbag connector shorts these inflator wires.

8.1. Cut the red wires as shown.

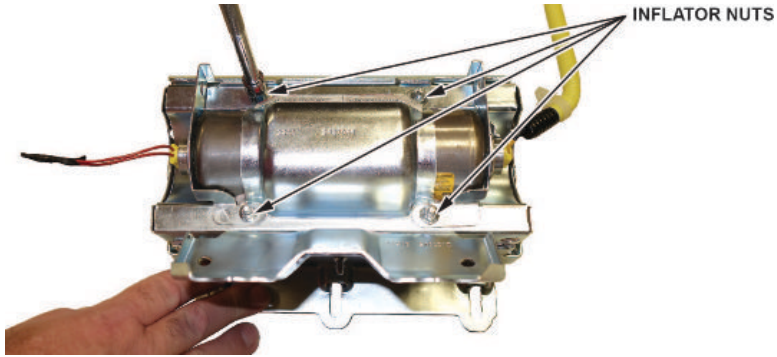


8.2. Strip away about 1 inch of the wire insulation, then twist the wires together.



8.3. Tape the twisted ends with electrical tape.

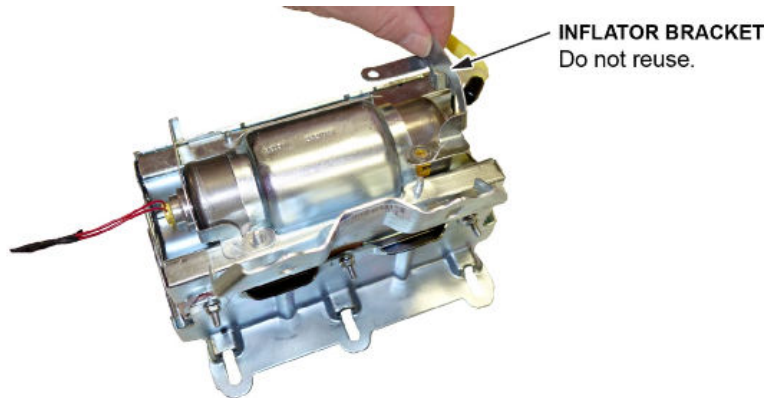
9. Remove the four inflator nuts.



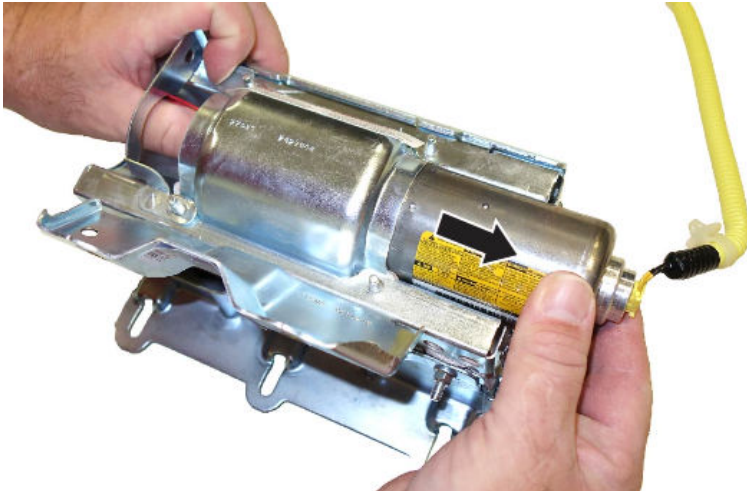
10. Remove the inflator bracket.

NOTES

- You can only remove one of the brackets, as the other is welded to the airbag housing.
- Do not reuse the bracket; use the new one that came in the inflator kit.



11. Remove the inflator by pulling it out.



12. Install the new inflator.

NOTE

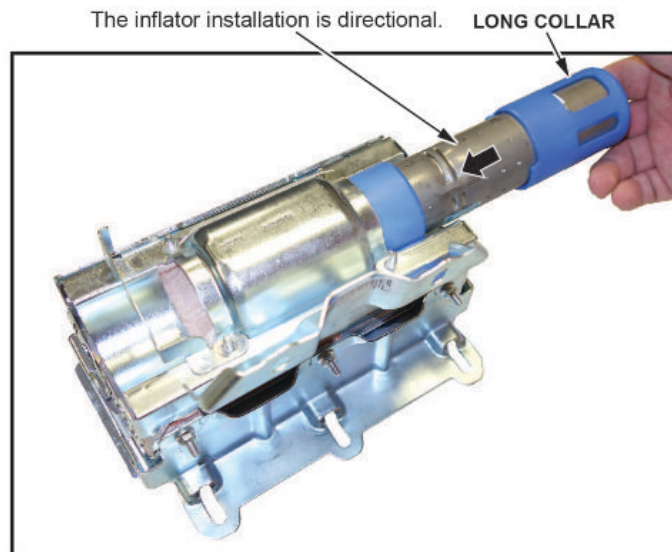
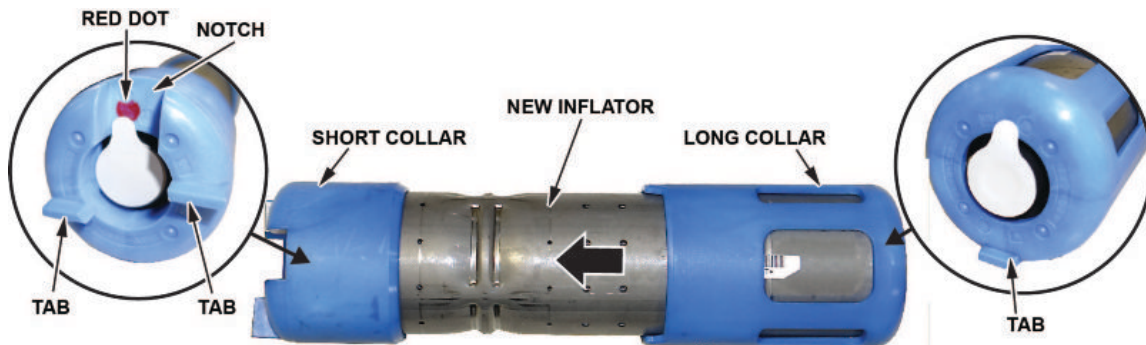
There may be some minor surface rust or corrosion on the new inflator; this is OK.

| | |
|---------------|---------------|
| 04790-SZN-407 | 04790-SZN-A00 |
|---------------|---------------|

12.1. One side of the inflator has a longer collar, a single tab, and a small flat spot on the connector. The other side of the inflator has a shorter collar, two tabs, and a notch with a red dot. **Make sure you insert the end with the shorter collar into the airbag first.**

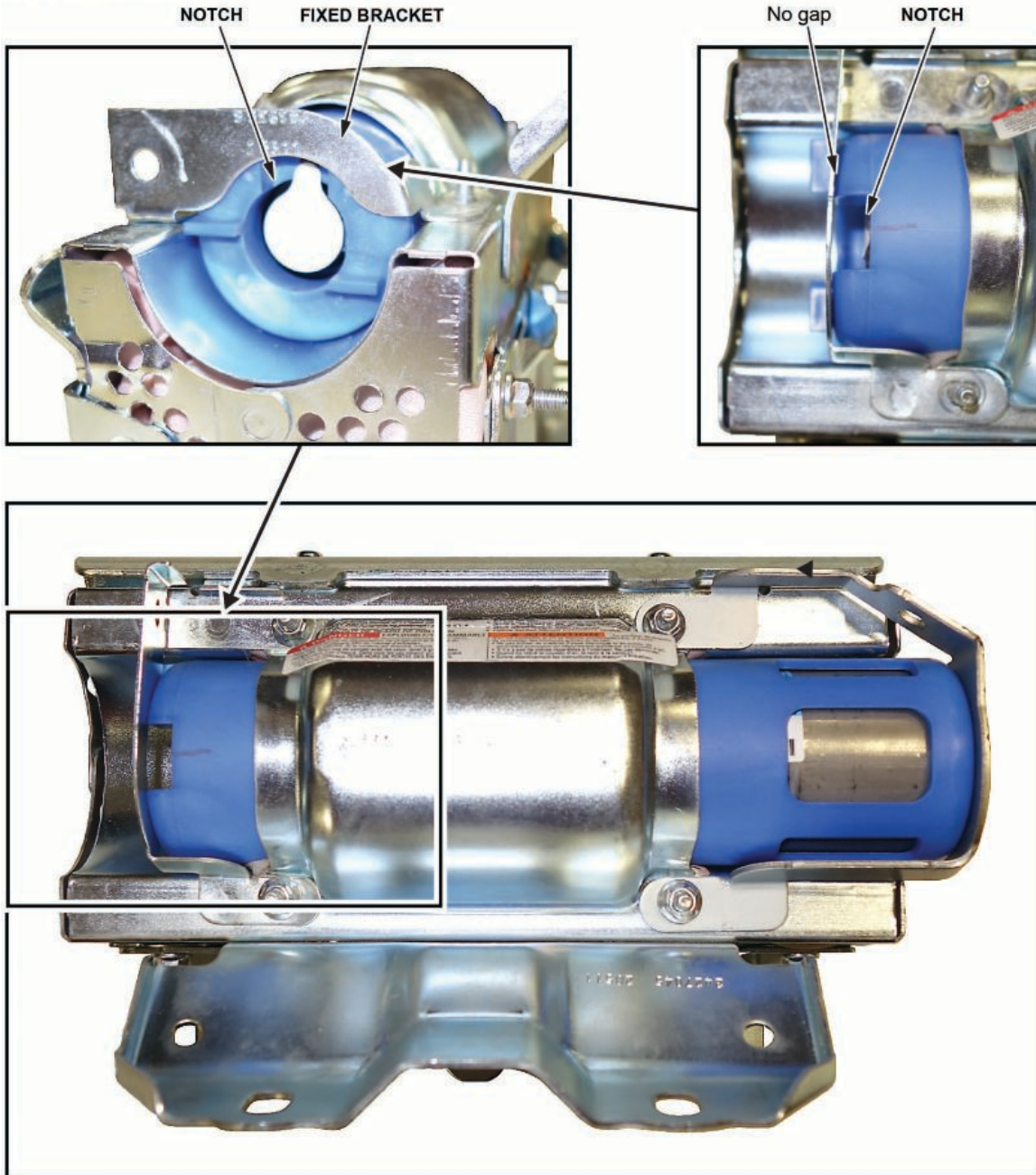
NOTES

- The V-SMART tool can only validate inflators with slotted end caps. You may receive an inflator with solid end caps. This is the correct part to repair the vehicle, but the V-SMART will fail the validation. **The V-SMART validation must fail a total of three times** before you can have your supervisor override the validation using the **Supervisor Inspection Override**.
- Your supervisor can be a service manager, shop foreman, team leader, etc. **The supervisor must inspect your work** to make sure the replacement inflator was installed correctly. When a supervisor enters his or her information, **the supervisor is signing off that the technician's work was inspected and approved.**



- 12.2. Slide the inflator in until the plastic collar contacts the bracket. The two tabs should align with the side of the airbag module and the metal tab as shown. There should be no space or gap between the inflator and bracket.

FIXED BRACKET END



12.3. Install the bracket included in the kit onto the airbag module. Check there is no space or gap between the inflator and bracket by pushing the bracket against the inflator.

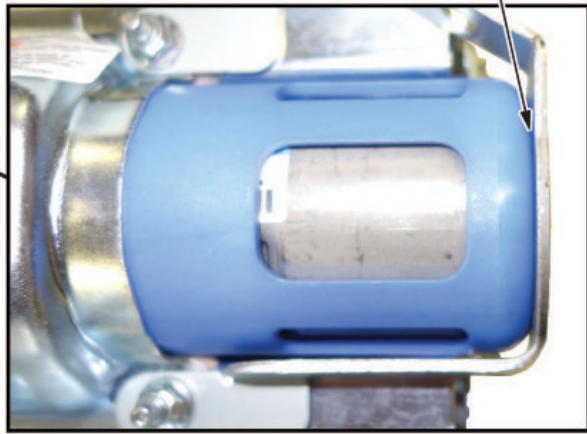
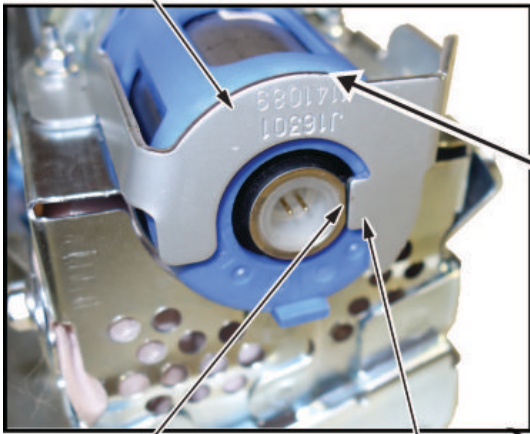
NOTE

The bracket may have a little bit of play before you install the new nuts.

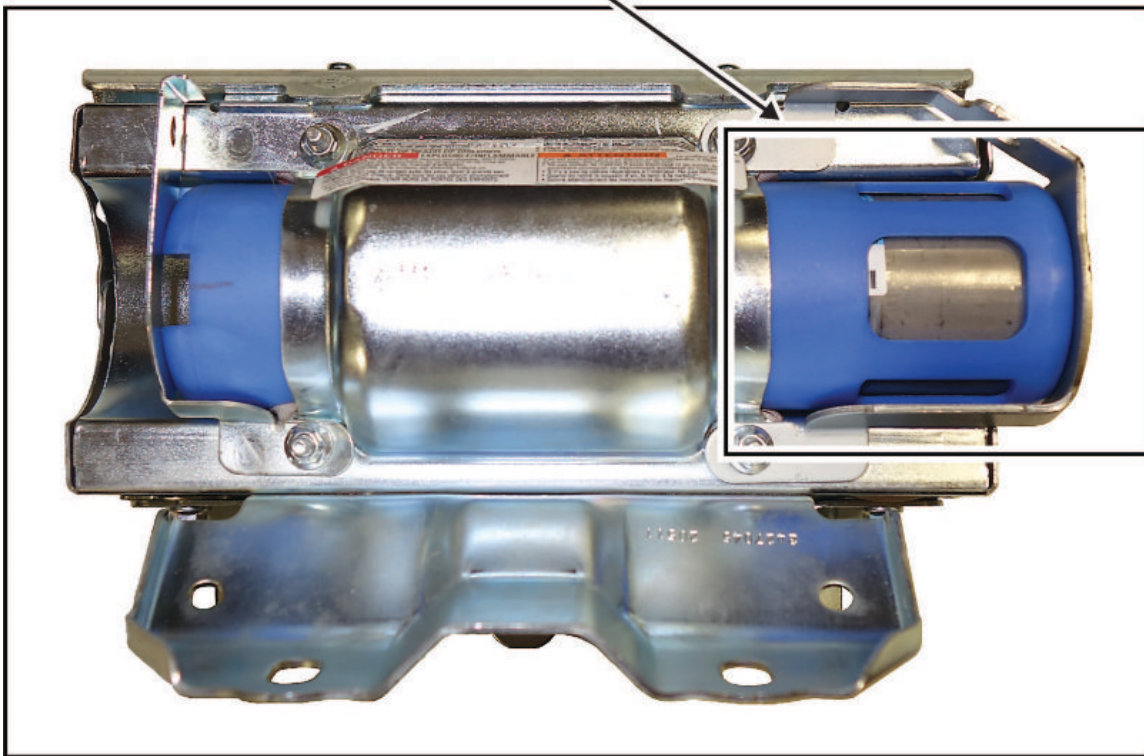
ADJUSTABLE BRACKET END

ADJUSTABLE BRACKET

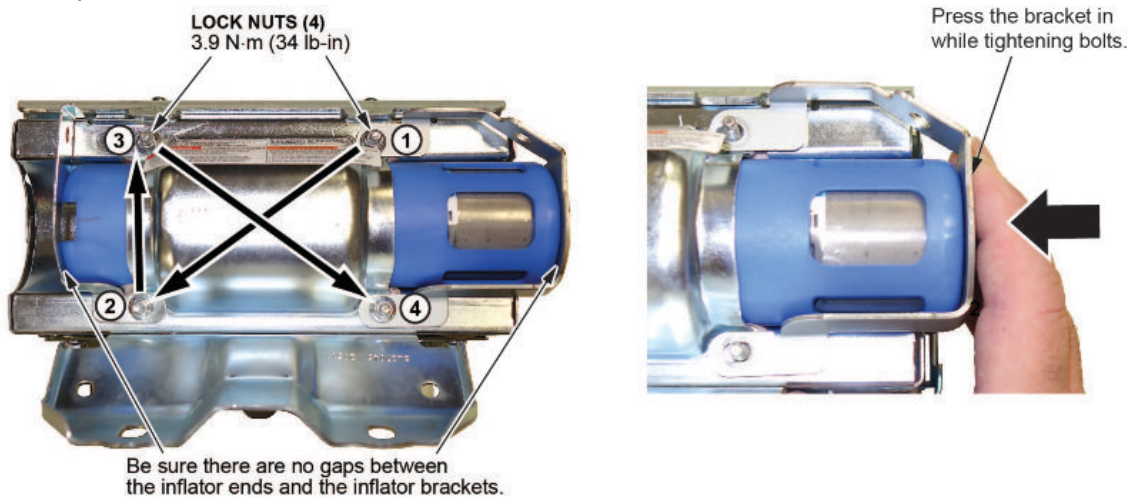
No gap



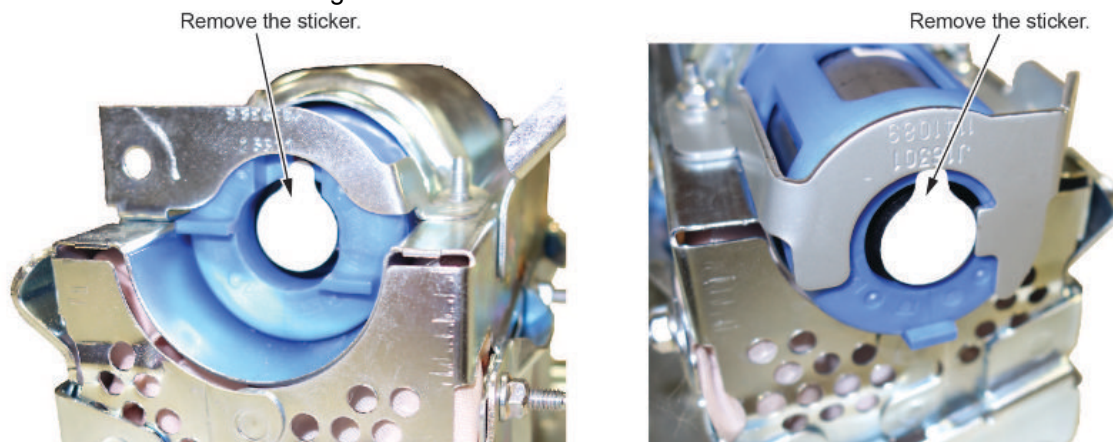
FLAT SPOT ON PLUG SOCKET TAB ON BRACKET



13. Hold the bracket against the inflator, then install the new 5 mm locknuts and torque them in sequence to **3.9 N•m (34 lb-in)**.



14. Remove the stickers covering the terminals on both sides of the new inflator.



15. Using the V-SMART tool, validate that the airbag replacement inflator is installed correctly.

NOTES

- You must validate the front passenger's airbag replacement inflator installation using the V-SMART tool **before** connecting the inflator harness.
- Your warranty claim will not be paid if the V-SMART validation is not completed or the photo is not sent. Make sure you see the **Uploaded Completed** message to confirm the photo was sent to the warranty department.

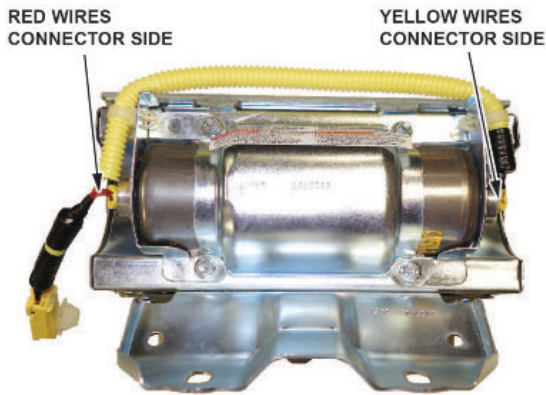
16. Install the new inflator harness.

16.1. Make sure the airbag and harness are aligned as shown.

NOTES

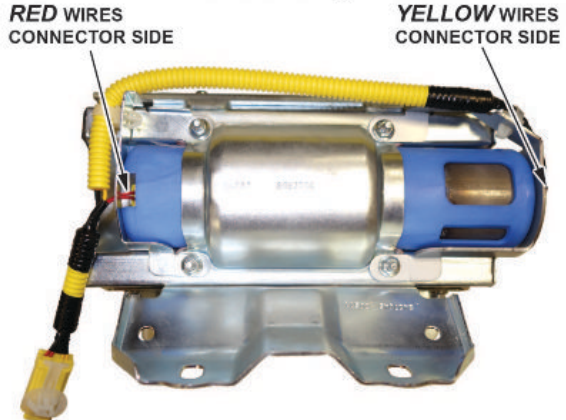
- **The replacement inflator harnesses may have the wire colors in the same positions of the original harness.** If you connect the harness incorrectly, the harness cannot be removed, and you will not be able to reinstall the airbag because the harness will be too short.
- Connect the red wire connector to the side of the inflator with the red dot on the short collar side.
- The red dot is difficult to see because it is covered by the bracket.

ORIGINAL INFLATOR HARNESS ROUTING



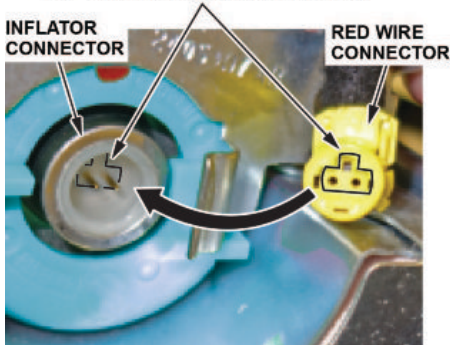
NEW INFLATOR HARNESS ROUTING

The same as the original.



16.2. Connect the red wire connector to the connector on the side with the short plastic collar. Align the “T” shape in the inflator harness connector with the T-shaped inflator connector, then press the connector into place.

① Match up the “T” shape as shown. The connectors are directional.



② Press the connector into place until it clicks.



③ Wiggle the connector to make sure it's secure.



16.3. Connect the yellow wire connector to the connector on the side with the long plastic collar.

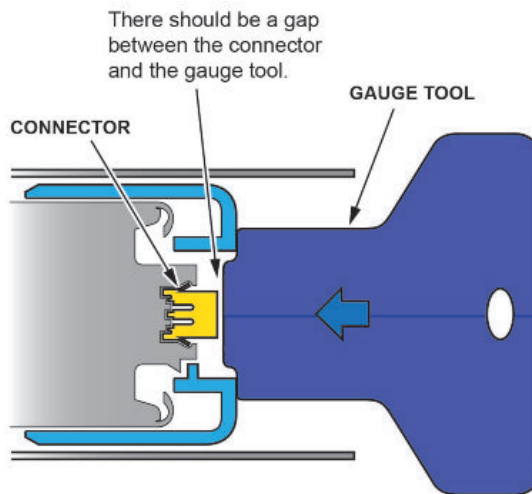
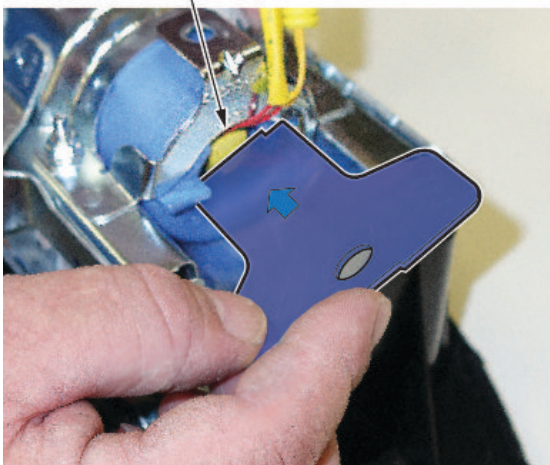
16.4. After you hear each connector click, wiggle it to make sure it is secure.

NOTE

If the connector is not properly aligned, it will come out.

16.5. Make sure the connector is secure and in place by using the gauge tool. (PSP16 Gauge Tool P/N: 070AJ-TA00A00 or 07AAJ-TA0AA00).

Be sure the connector is fully seated by checking it with the gauge tool.

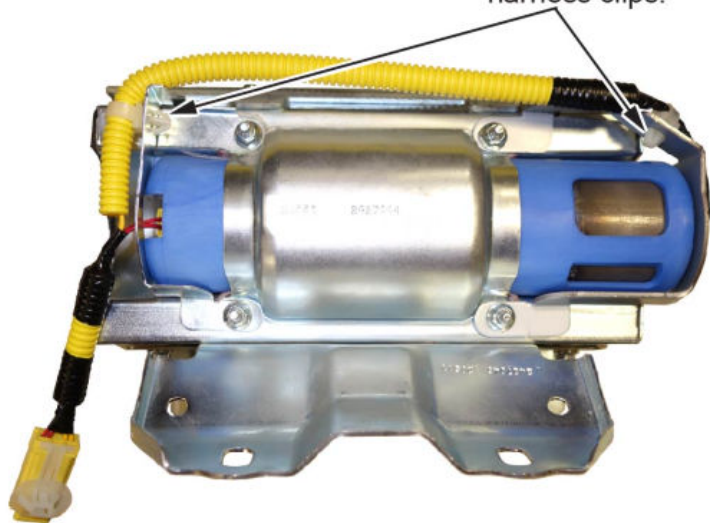


17. Connect the harness to the inflator brackets.

17.1. Connect the harness clips to the bracket.

17.2. Make sure the harness is securely inserted and that it does not sag.

Reconnect the harness clips.

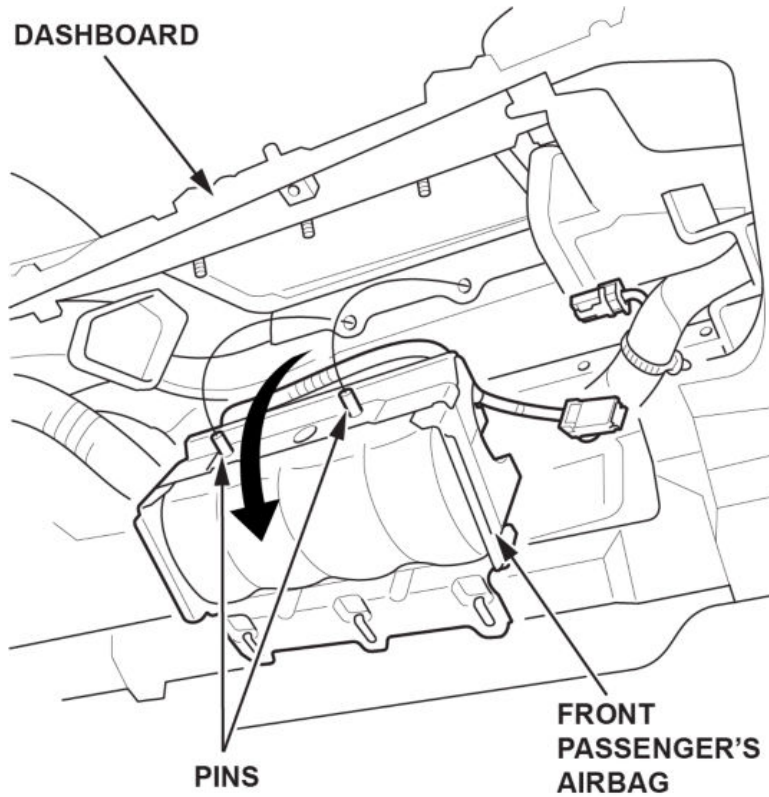


18. Install the airbag.

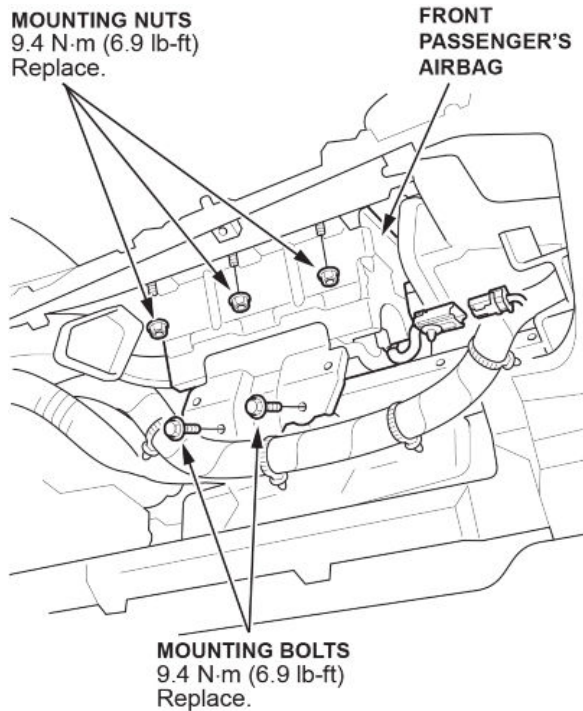
18.1. Place the front passenger's airbag into the dashboard.

NOTE

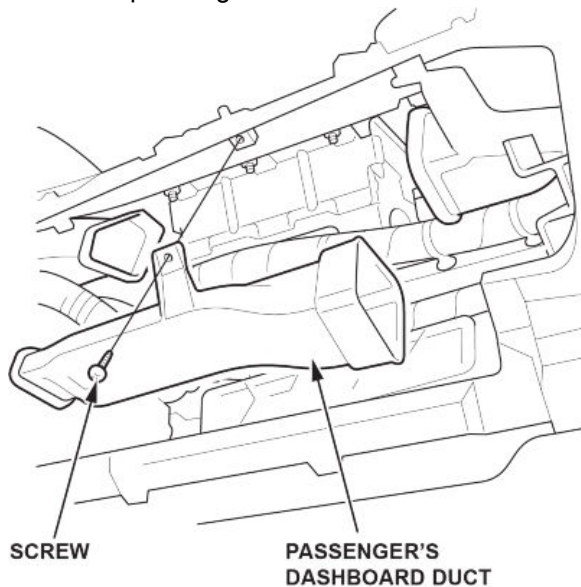
Make sure the front passenger's airbag pins are installed in the dashboard securely.



18.2. Install the front passenger's airbag using the new mounting bolts and the new mounting nuts.



18.3. Install the passenger's dashboard duct.



18.4. Install the glove box.

NOTE

Make sure the glove box light and the keyless access mode switch connector is plugged in.

18.5. Install the passenger's dashboard trim.

19. Reconnect the battery negative cable and enter the anti-theft code for the audio and navigation system (if applicable), then enter the audio presets.
20. Set the clock (for vehicles without navigation).
21. Turn the ignition to ON and make sure the SRS indicator comes on for about 6 seconds, then goes off.
22. Put the original inflator into the box the new one came in. Make sure there is no other hardware in the box because if the package rattles, it will not be accepted by the courier.
23. Follow the shipping instructions outlined in PIB B15-0006 to return the undeployed inflator.
24. Give your warranty clerk the RO that includes the replacement inflator serial number and replacement part number. For the warranty claim to be paid, the **replacement inflator part number** must be included in the warranty claim.

END