



## IMPORTANT SAFETY RECALL

2016 MX-5 - Undercover Welding Concern Safety Recall 3619F  
NHTSA Campaign Number 19V-496

August 2019

This notice applies to your vehicle: VIN \_\_\_\_\_

Dear Mazda Owner:

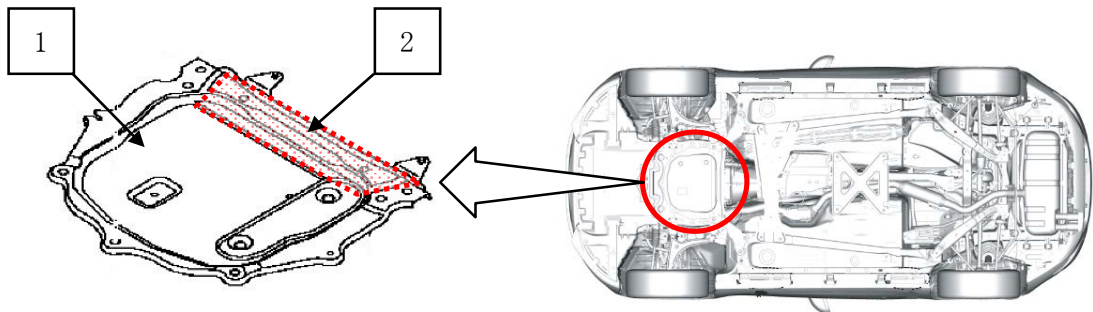
This notice is sent to you in accordance with the National Traffic and Motor Vehicle Safety Act.

Mazda Motor Corporation has decided that a defect which relates to motor vehicle safety exists in certain 2016 model year MX-5 vehicles produced from May 26, 2015 through July 6, 2015.

**If you received this notice, your vehicle is included in this Recall.**

### What is the problem?

On certain subject vehicles, the metal bracket on the undercover skid plate may separate from the vehicle while driving, due to insufficient welding strength between the undercover and metal bracket. This could result in the metal bracket falling off the vehicle, creating a road hazard for other users, and increasing the risk of a crash.



1. Under cover
2. Bracket

**What will Mazda do?**

**Protect What Is Important To You**

Your Mazda dealer will replace the undercover. The repair will be performed at no cost to you.

**How long will it take?**

It will take approximately half an hour to complete the repair; however, your Mazda dealer may need your vehicle for a longer period of time.

Mazda will provide alternate transportation, if needed, when your vehicle is at an authorized Mazda dealership for a recall repair. Schedule an appointment with an authorized Mazda dealer so they can discuss and accommodate your needs.

**What should you do?**

Mazda is concerned about your safety, and we encourage you to contact any authorized Mazda dealer to schedule an appointment to have your Mazda vehicle repaired as soon as possible. You do not need to bring this notice to the dealer, but it may assist in the check-in process.

**What if you already paid for repair related to the concerns outlined in this recall campaign?**

If you have already paid for repair or parts replacement due to conditions similar to this recall campaign prior to receiving this notice, you may be eligible for reimbursement of reasonable repair expenses based on Mazda's repair standards. Please complete the enclosed "Reimbursement Application Form", include the necessary documentation, and mail it to us in the pre-addressed envelope provided, allowing 6-8 weeks for processing.

**Where is the closest Mazda dealer?**

To locate your nearest Mazda dealer, visit our website [www.MazdaRecallInfo.com](http://www.MazdaRecallInfo.com), or call our Customer Experience Center at (800) 222-5500, option #4.

**Moved or no longer own this vehicle?**

If you have moved or no longer own your Mazda vehicle, please complete and mail the enclosed postage-paid Information Change Card (no envelope required) as soon as possible. This enables us to update our records and notify the current owner.

Federal law requires that any vehicle lessor receiving this recall notice must forward a copy of this notice to the lessee within ten days.

**Still have questions?**

If you have any questions regarding this campaign, please contact our Customer Experience Center toll free at (800) 222-5500, option #6.

If Mazda or its dealers do not repair the defect free of charge and within a reasonable amount of time, you may notify the Administrator of the National Highway Traffic Safety Administration, 1200 New Jersey Ave., SE., Washington, DC 20590; or call the toll-free Vehicle Safety Hotline at 1-888-327-4236 (TTY: 1-800-424-9153); or go to <http://www.safercar.gov>.

As a reminder, you can always go to [www.MazdaRecallInfo.com](http://www.MazdaRecallInfo.com) and enter your VIN to view recalls and service campaigns that apply to your vehicle as well as register to receive future recall alerts.

Your safety is our first priority at Mazda. We actively work to improve our products and search for solutions to improve your ownership experience. We apologize for any inconvenience this recall may have caused you.

Sincerely,

**Mazda North American Operations**

*Para información en español, visite [www.MazdaSeguridad.com](http://www.MazdaSeguridad.com) o llame a nuestro **Centro de Experiencia para el Consumidor al (800) 222-5500, opción #8** para hablar con un representante en español.*