

June 7, 2019

Version 2

Safety Recall: 2016-19 ILX Driveshaft Inspection

Supersedes 19-035, dated June 7, 2019. See REVISION SUMMARY.

AFFECTED VEHICLES

Year	Model	Trim	VIN Range
2016-19	ILX	ALL	Check the iN VIN status for eligibility.

REVISION SUMMARY

In REPAIR PROCEDURE, the image in step 20 was updated.

BACKGROUND

The right driveshaft may not have been properly assembled and installed, and may separate from the intermediate shaft. If this happens, it will cause a loss of power transfer to the wheels, leading to the vehicle coming to a stop. On a parked vehicle without the parking brake applied, this will allow the vehicle to move.

CLIENT NOTIFICATION

Owners of affected vehicles will be sent a notification of this campaign.

Do an iN VIN status inquiry to make sure the vehicle is shown as eligible.

Some vehicles affected by this campaign may be in your new or used vehicle inventory.

Failure to repair a vehicle subject to a recall or campaign may subject your dealership to claims or lawsuits from the client or anyone else harmed as a result of such failure. To see if a vehicle in inventory is affected by this safety recall, do a VIN status inquiry before selling it.

CORRECTIVE ACTION

Inspect the right driveshaft installation on the intermediate shaft. If the installation is incomplete, or the driveshaft is not fully set to the intermediate shaft, replace both shafts.

CLIENT INFORMATION: The information in this bulletin is intended for use only by skilled technicians who have the proper tools, equipment, and training to correctly and safely maintain your vehicle. These procedures should not be attempted by "do-it-yourselfers," and you should not assume this bulletin applies to your vehicle, or that your vehicle has the condition described. To determine whether this information applies, contact an authorized Acura automobile dealer.

PARTS INFORMATION

Part Name	Part Number	Quantity
Right Driveshaft Assembly	44305-TV9-A01	1
Halfshaft Assembly (Intermediate Shaft)	44500-TZ4-A01	1
Spindle Nut	90305-SD4-003	1
Flange Bolt	90182-SZ3-000	1
Self-Locking Nut	90215-SB0-003	2
Drain Washer (18 mm)	90471-PX4-000	1
Drain Washer (20 mm)	94109-20000	1

REQUIRED MATERIALS

Part Name	Part Number	Quantity
Acura ATF Type 2	08200-9015A	5
Moly Paste M77 (One tube repairs about 24 vehicles)	08798-9010	1

TOOL INFORMATION

Tool Name	Tool Number	Quantity
Halfshaft Inspection Tool	07AAJ-TV9A100	1 per dealer

WARRANTY CLAIM INFORMATION

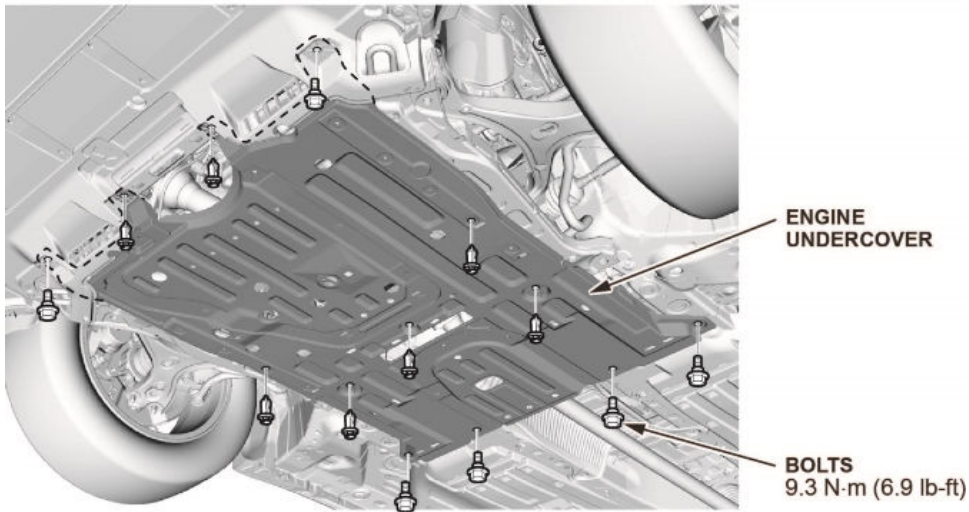
Operation Number	Description	Flat Rate Time	Defect Code	Symptom Code	Template ID	Failed Part Number
2195B2	Inspect the right driveshaft.	0.4 hr	6HS00	G5400	B19035A	44305-TV9-A01

Operation Number	Description	Flat Rate Time	Defect Code	Symptom Code	Template ID	Failed Part Number
2195B2	Inspect the right driveshaft.	0.4 hr	6HS00	G5400	B19035B	44305-TV9-A01
A	Add to do the following: <ul style="list-style-type: none"> • Replace the right driveshaft and intermediate shaft. • Replace the ATF. • Do the alignment inspection and adjustment. • Do the VSA Sensor Neutral Position Memorization. • Do the Steering Angle Sensor Neutral Position Clear. 	1.0 hr				

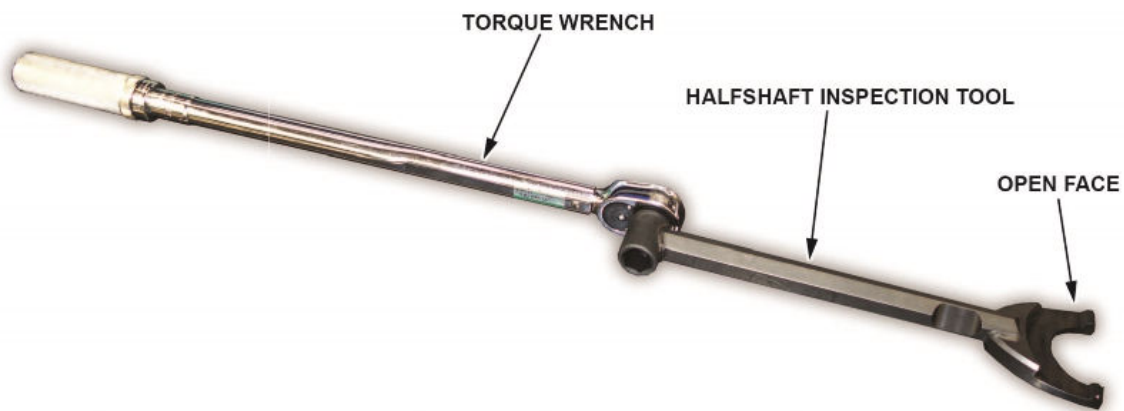
Skill Level: Repair Technician

INSPECTION PROCEDURE

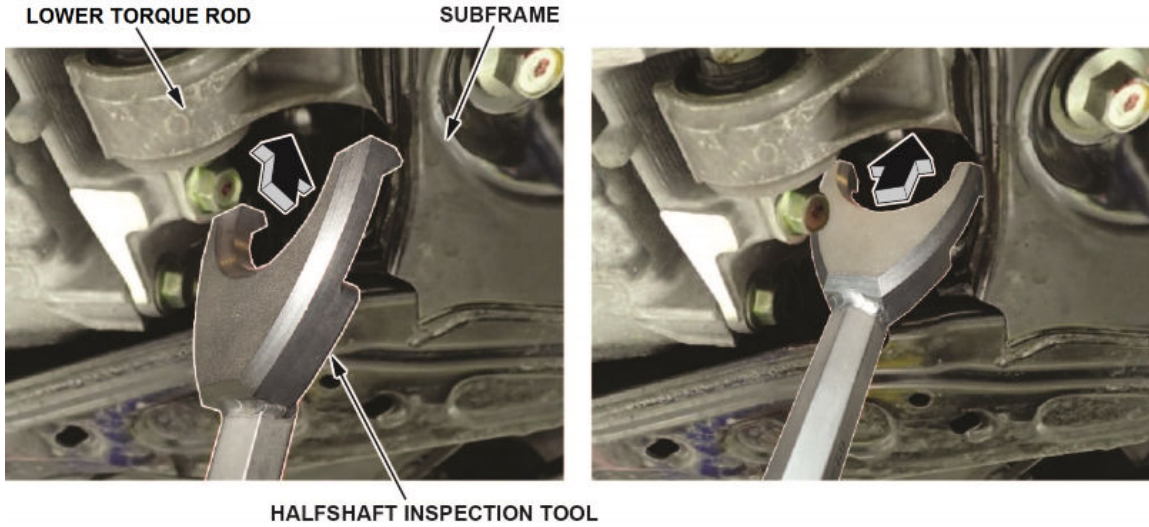
1. Raise the vehicle on a lift.
2. Remove the engine undercover.



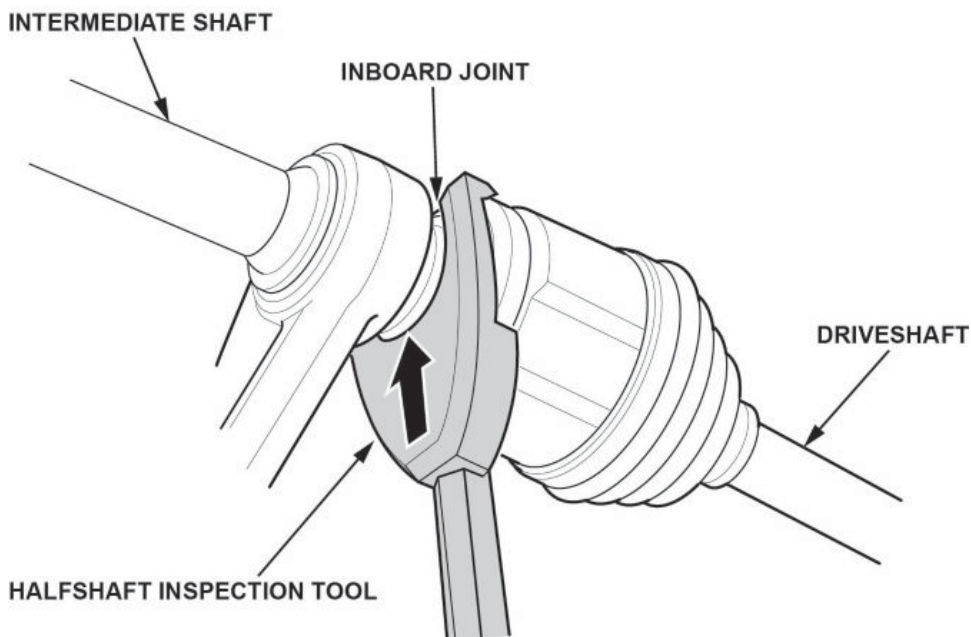
3. Set a calibrated torque wrench (commercially available) to tighten to **136 N·m (100 lb-ft)**.
4. Attach the halfshaft inspection tool to the torque wrench as shown.



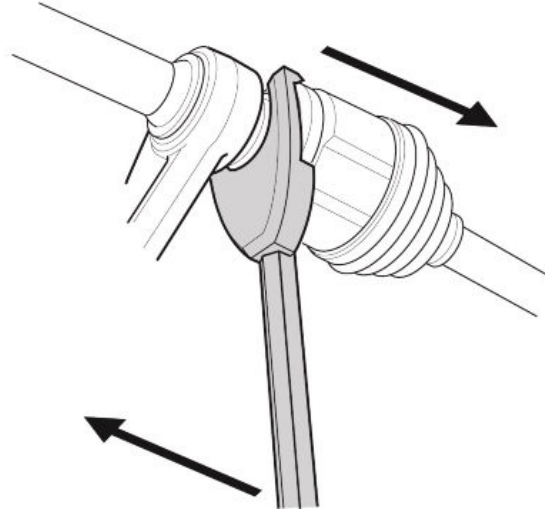
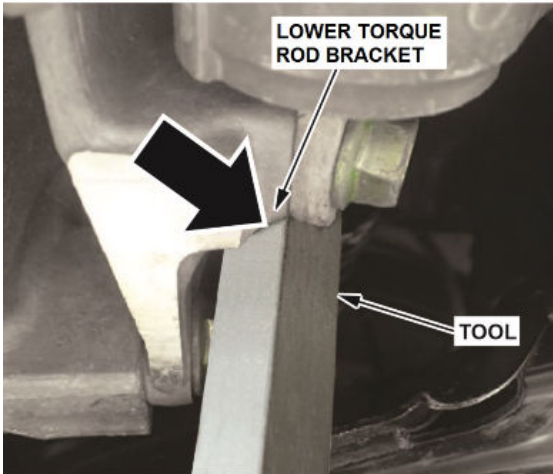
5. Keep the tool lined up with the torque wrench. Insert the tool through the gap between the lower torque rod bracket and the subframe. Turn the tool until the open face is toward the right of the vehicle.



6. Place the open face against the inboard joint of the driveshaft. Make sure the curved edge of the tool is flush with the inboard joint as shown.



7. Line up the edge of the hexagonal section of the tool between the lower torque rod bracket and lower torque rod as shown.



8. Slowly apply pressure on the torque wrench until it clicks.

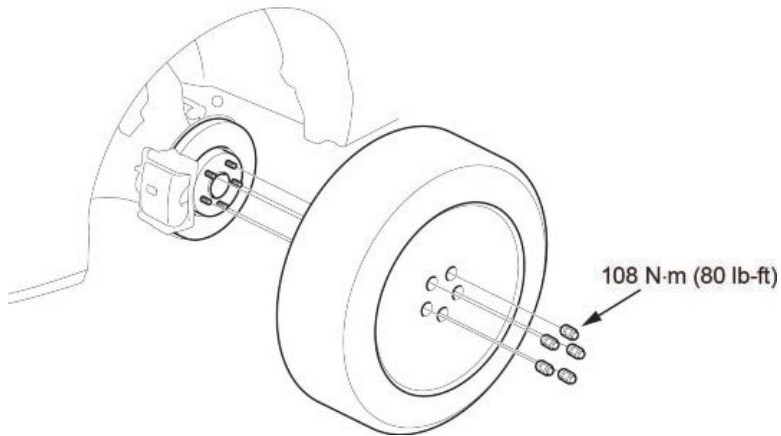
NOTE

Do not apply an impact load to the torque wrench.

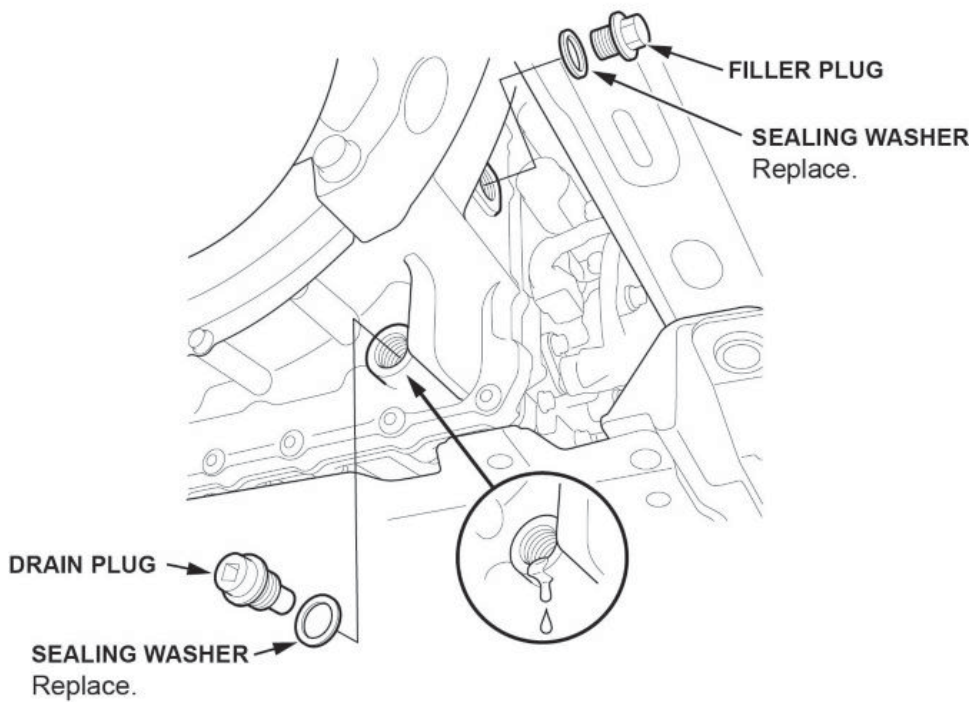
- If the driveshaft pops out before the torque wrench clicks, go to REPAIR PROCEDURE.
 - If the driveshaft did not pop out, remove the tool and the torque wrench and go to the next step.
9. Manually push the right driveshaft inboard joint towards the intermediate shaft to relieve any pressure on the set ring.
10. Install the engine undercover and lower the vehicle.
11. Make sure the vehicle functions correctly in each gear.

REPAIR PROCEDURE

1. Remove the right front wheel.



2. Remove the filler plug with the sealing washer.

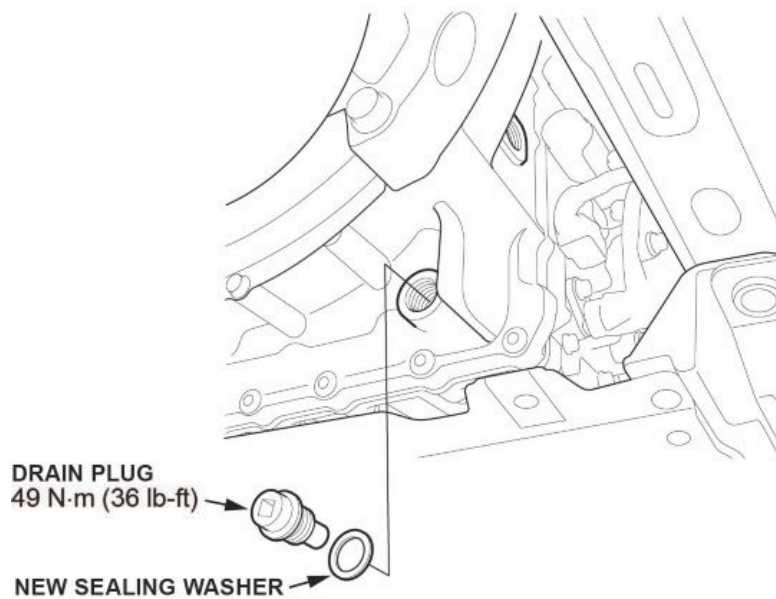


3. Remove the drain plug with the sealing washer, and drain the ATF until it slows to a slight drip.

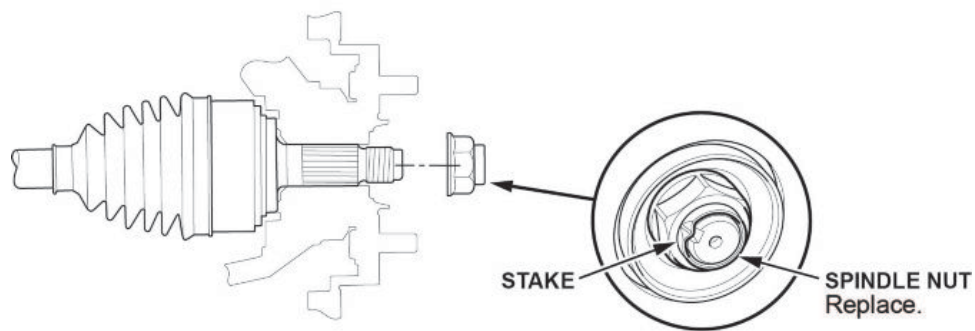
NOTE

Remove any metal particles from the magnetic surface of the drain plug.

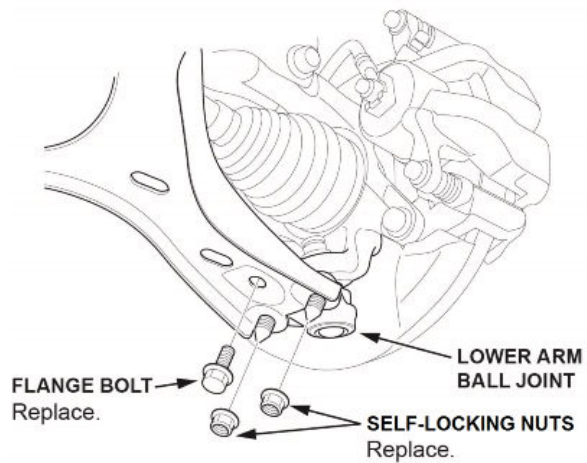
4. Install the drain plug with a new sealing washer and torque it to **49 N·m (36 lb-ft)**



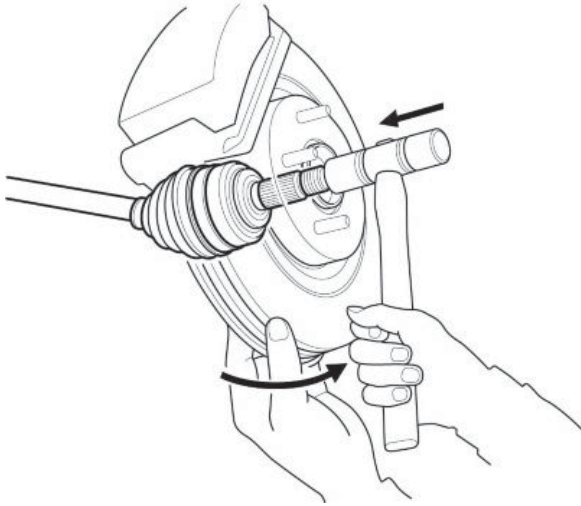
5. Pry up the stake on the spindle nut.



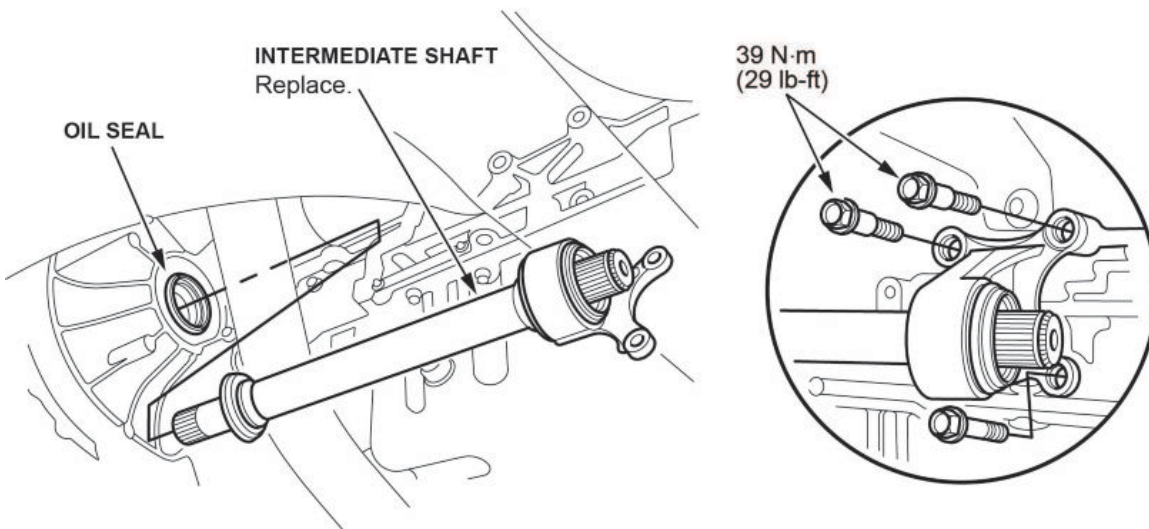
6. Remove the spindle nut.
7. Remove the lower ball joint flange bolt and self-locking nuts.



8. Disconnect the lower arm ball joint from the lower arm.
9. Using a dead-blow soft-face hammer, disconnect the outboard joint from the wheel hub.



10. Remove the right driveshaft.
11. Remove the intermediate shaft.

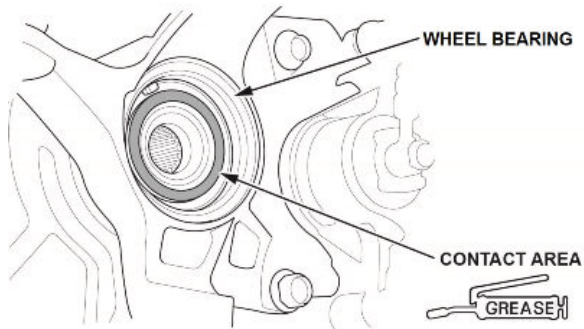


NOTE

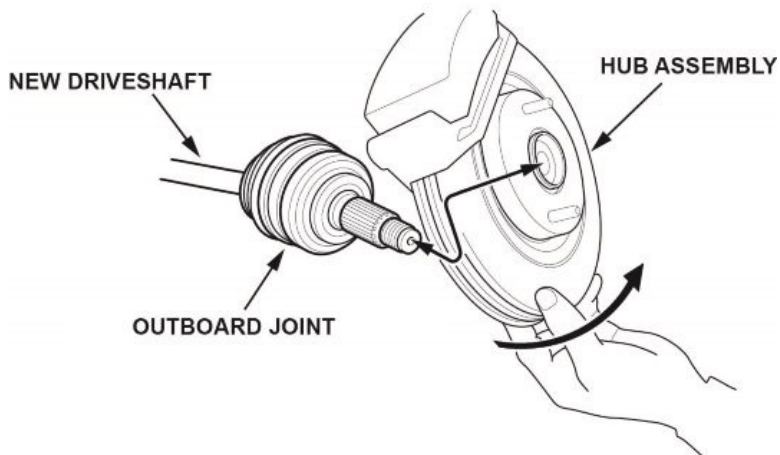
Hold the intermediate shaft horizontal until it is clear of the differential to prevent damaging the oil seal.

12. Install the new intermediate shaft and torque the bolts to **39 N·m (29 lb-ft)**
13. Install the new right driveshaft on the intermediate shaft.

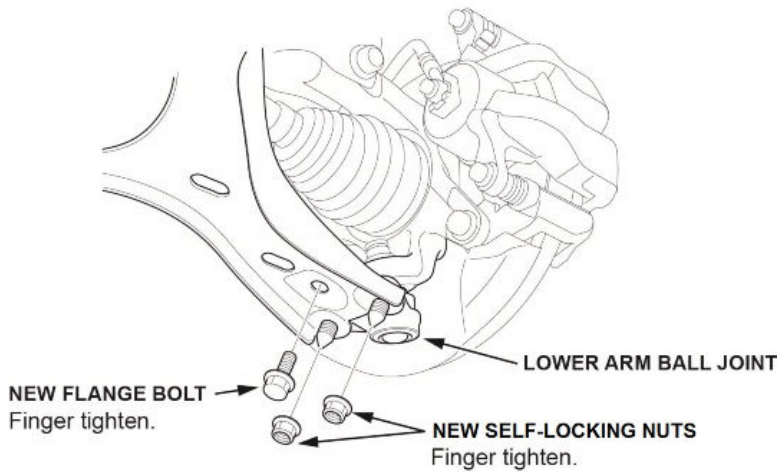
14. Apply about **3 g (0.11 oz)** of Moly 77 paste to the contact areas of the outboard joint and the front wheel bearing.



15. Install the outboard joint into the hub assembly.



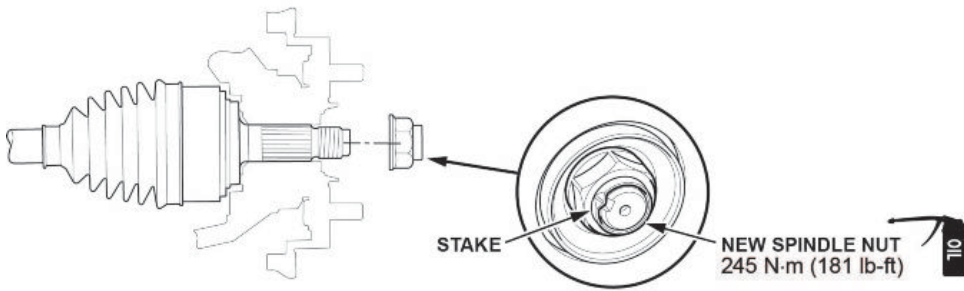
16. Install the lower arm ball joint, and finger tighten the two new self-locking nuts and new flange bolt.



17. Make sure the new driveshaft is fully set as shown in the INSPECTION PROCEDURE.

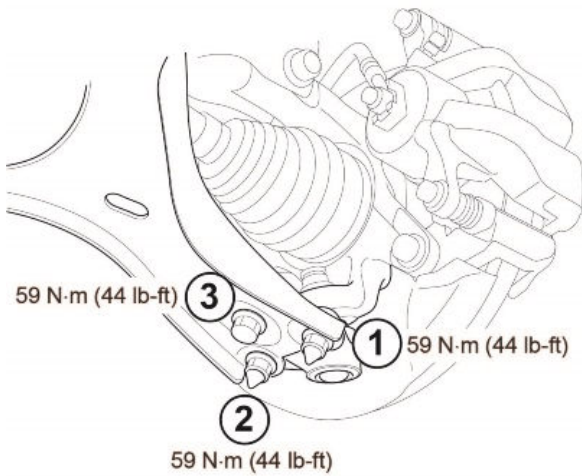
- If the new driveshaft pops out, check your work again. Call Tech Line if needed.
- If the new driveshaft is fully set, go to the next step.

18. Install the new spindle nut with a small amount of engine oil on the seating surface. Torque the nut to **245 N·m (181 lb-ft)**.



19. Use a drift punch to stake the spindle nut shoulder against the notch in the driveshaft.

20. Torque the lower arm ball joint self-locking nuts and flange bolt to **59 N·m (44 lb-ft)** in the sequence shown.

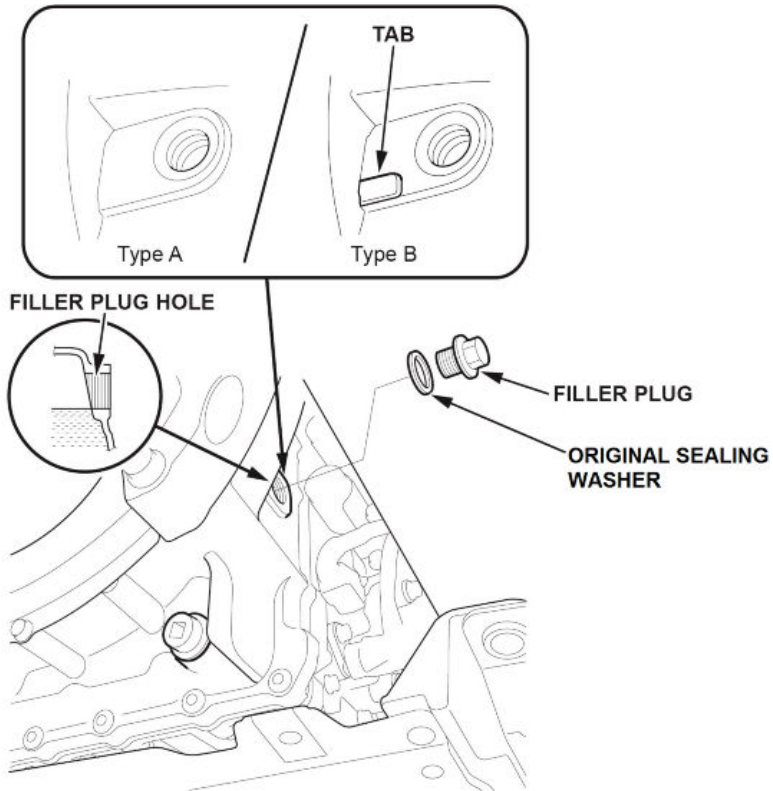


21. Fill the transmission with the recommended fluid into the filler plug until the ATF overflows.
Always use Acura ATF Type 2. Using the wrong type ATF can affect shift quality.

NOTES

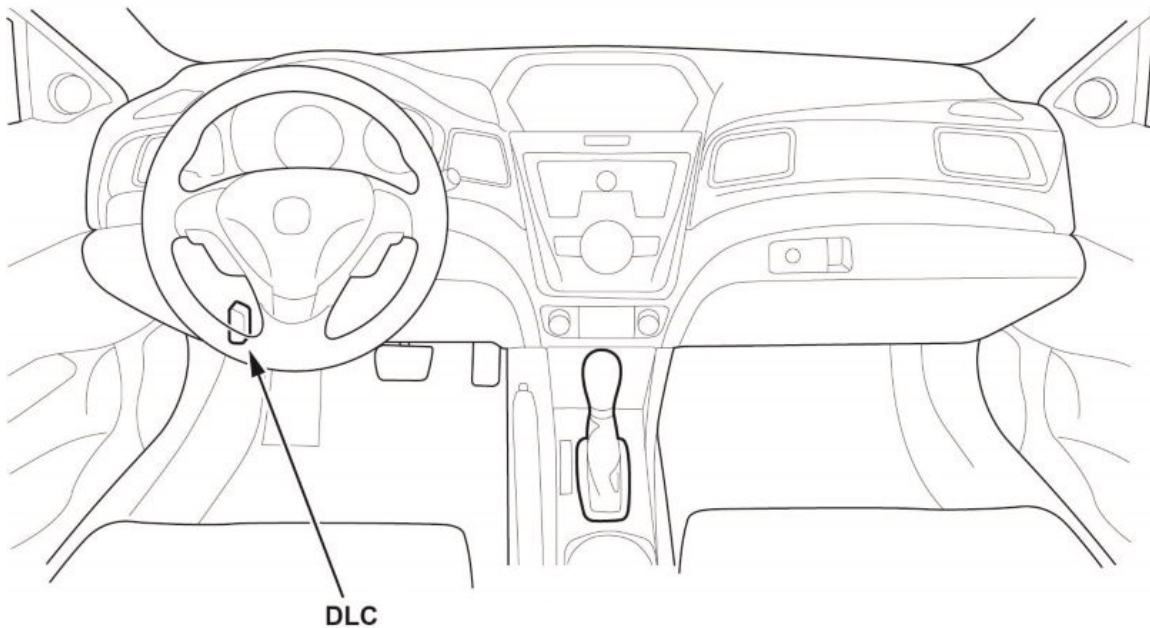
There are two types of transmission: Type A and Type B (indicated by a tab). Be careful of the transmission fluid capacity in reference to the following list.

- **Type A: 4.1 L (4.3 US qt)**
- **Type B: 3.9 L (4.1 US qt)**



22. Temporarily install the filler plug with the original sealing washer.
23. Lower the vehicle.

24. Start the engine.
25. While firmly pressing on the brake pedal, shift the transmission to P>R>N>D>S>D>N>R>P, and wait at least **3 seconds** in each gear.
26. Turn the ignition to OFF.
27. Raise the vehicle.
28. Remove the filler plug and the original sealing washer.
29. Make sure the ATF is dripping from the filler plug hole.
 - If the ATF is pouring, wait until it slows to a slight drip from the filler plug hole.
 - If no ATF is coming out of the filler plug hole, add more ATF until it overflows, then wait until it slows to a slight drip.
30. Install the filler plug with a new sealing washer, and torque the plug to **44 N·m (32 lb-ft)**.
31. Install the engine undercover.
32. Install the right front wheel, and torque the wheel nuts to **108 N·m (80 lb-ft)**.
33. Make sure the vehicle functions correctly in each gear.
34. Do an alignment inspection and adjustment.
35. Park the vehicle on a flat and level surface with the steering wheel in the straight ahead position.
36. Connect the i-HDS to the DLC, and turn the ignition to ON.



37. Do the VSA Neutral Position Memorization. Using the i-HDS, select **VSA ADJUSTMENT**, then select **ALL SENSORS**, and follow the screen prompts.
38. Do the Steering Angle Sensor Neutral Position Clear. Select **EPS ADJUSTMENT**, then select **EPS STEERING ANGLE SENSOR VALUE CLEAR** and follow the screen prompts.
39. Test-drive the vehicle to check the repairs.

END