

N341NAS1



# TECHNICAL BULLETIN

08 JUL 2019

© Jaguar Land Rover North America, LLC

NOTE: The information in Technical Bulletins is intended for use by trained, professional Technicians with the knowledge, tools, and equipment required to do the job properly and safely. It informs these Technicians of conditions that may occur on some vehicles, or provides information that could assist in proper vehicle service. The procedures should not be performed by 'do-it-yourselfers'. If you are not a Retailer, do not assume that a condition described affects your vehicle. Contact an authorized Land Rover service facility to determine whether this bulletin applies to a specific vehicle.

## SECTION:

501-16

## SUBJECT/CONCERN:

Non-Compliance Recall: Front/Rear Windshield Washer Pump Fuses

## AFFECTED VEHICLE RANGE:

MODEL:	MODEL YEAR:	VIN:	ASSEMBLY PLANT:
New Range Rover Evoque (LZ)	2020	000001-019200	Halewood

## MARKETS:

NORTH AMERICA

## CONDITION SUMMARY:

### SITUATION:

A potential issue has been identified on certain vehicles within the listed Affected Vehicle Range where the fuses in the Engine Junction Box (EJB) for the front and rear windshield washer pump may fail if the system is operated in freezing or blocked conditions.

Vehicles in this condition do not meet the requirements of Federal Motor Vehicle Safety Standards (FMVSS) 104, Windshield Wiping and Washing Systems and Canada Motor Vehicle Safety Standards (CMVSS) 104, Windshield Wiping and Washing Systems. This could reduce the driver's visibility, increasing the risk of a crash.

#### ACTION:

Retailers are required to HOLD affected new vehicles that are within your control and refrain from releasing the vehicles for new vehicle sale pending completion of the procedure(s) detailed in this Technical Bulletin. Unsold vehicles should have this performed as part of the Pre-Delivery Inspection (PDI) process but must have it completed prior to vehicle handover to the customer.

Affected vehicles already in the hands of customers should be updated at the next available opportunity.

#### PARTS:

#### NOTE:

Use the Vehicle Identification Number (VIN) and the Electronic Parts Catalog (EPC) to confirm part number(s) necessary to perform repairs.

DESCRIPTION	PART NUMBER/SUNDRY CODE	QUANTITY/VALUE
25A fuse	LR078013	2
Engine Junction Box (EJB) cover	LR122998	1

#### SPECIAL TOOLS:

Refer to TOPIx Workshop Manual/Workshop Procedure for any required special tools.

**WARRANTY:****NOTE:**

Use the Jaguar Land Rover claims submission system to make sure that a vehicle is eligible for this program prior to undertaking any rework action.

At the time of confirming a booking for vehicle repair, make sure that all open Recall and Service Actions are identified to make sure the correct parts are available and adequate workshop time is allocated for repairs to be completed at one visit.

Warranty claims must be submitted quoting the Program Code and the relevant Option Code; this will result in payment of the stated time. The SRO and parts information is included for information only. The Option Code(s) that allows for the drive in/drive out allowance may only be claimed if the vehicle is brought back into the workshop for this action alone to be undertaken.

Repair procedures are under constant review and therefore times/prices are subject to change; those quoted here must be taken as guidance only. Use TOPlx to obtain the latest repair time.

Warranty claims must be submitted or payment within 30 calendar days of completion of the repair.

PROGRAM CODE	OPTION CODE	DESCRIPTION	SRO	TIME (HOURS)	PART NUMBER	QUANTITY
N341	A	Engine Junction Box (EJB) cover - Renew	86.71.89.83	0.1	LR078013	2
					LR122998	1
N341	B	Engine Junction Box (EJB) cover - Renew	86.71.89.83	0.1	LR078013	2
					LR122998	1
		02.02.02	0.2	-	-	
		Drive in/drive out				

Normal Warranty policies and procedures apply.

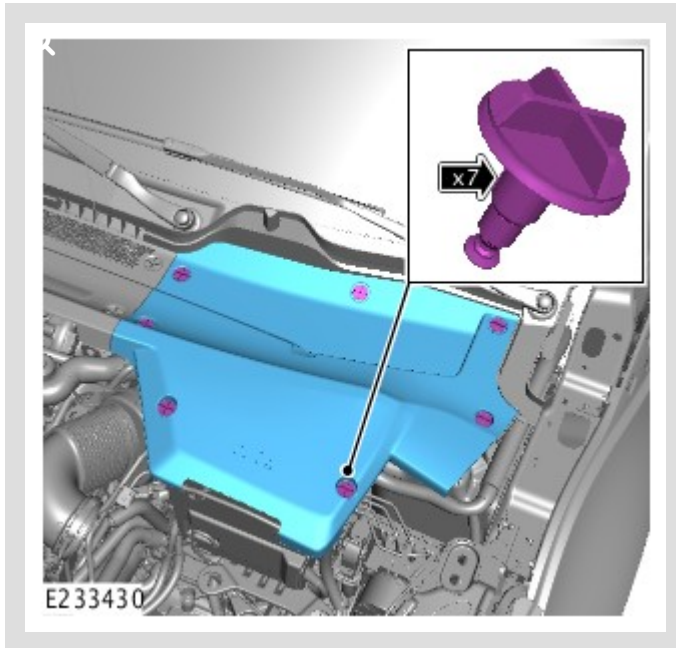
**WORKSHOP PROCEDURE:**

**NOTES:**

- Some variation in the illustrations may occur, but the essential information is always correct.
- Some components are shown removed for clarity.

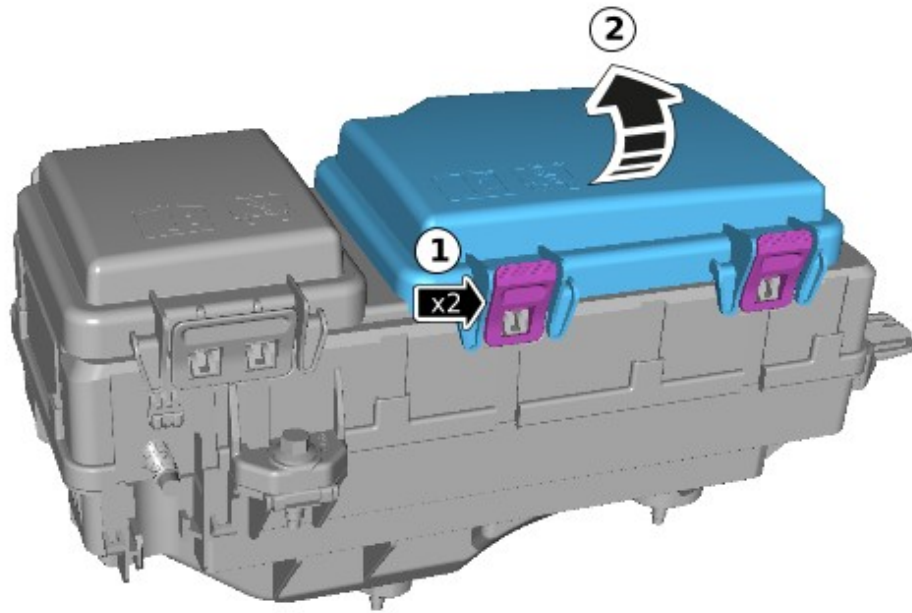
1 Open the hood.

2



Remove the battery cover panel.

- Release the 7 retaining clip(s).

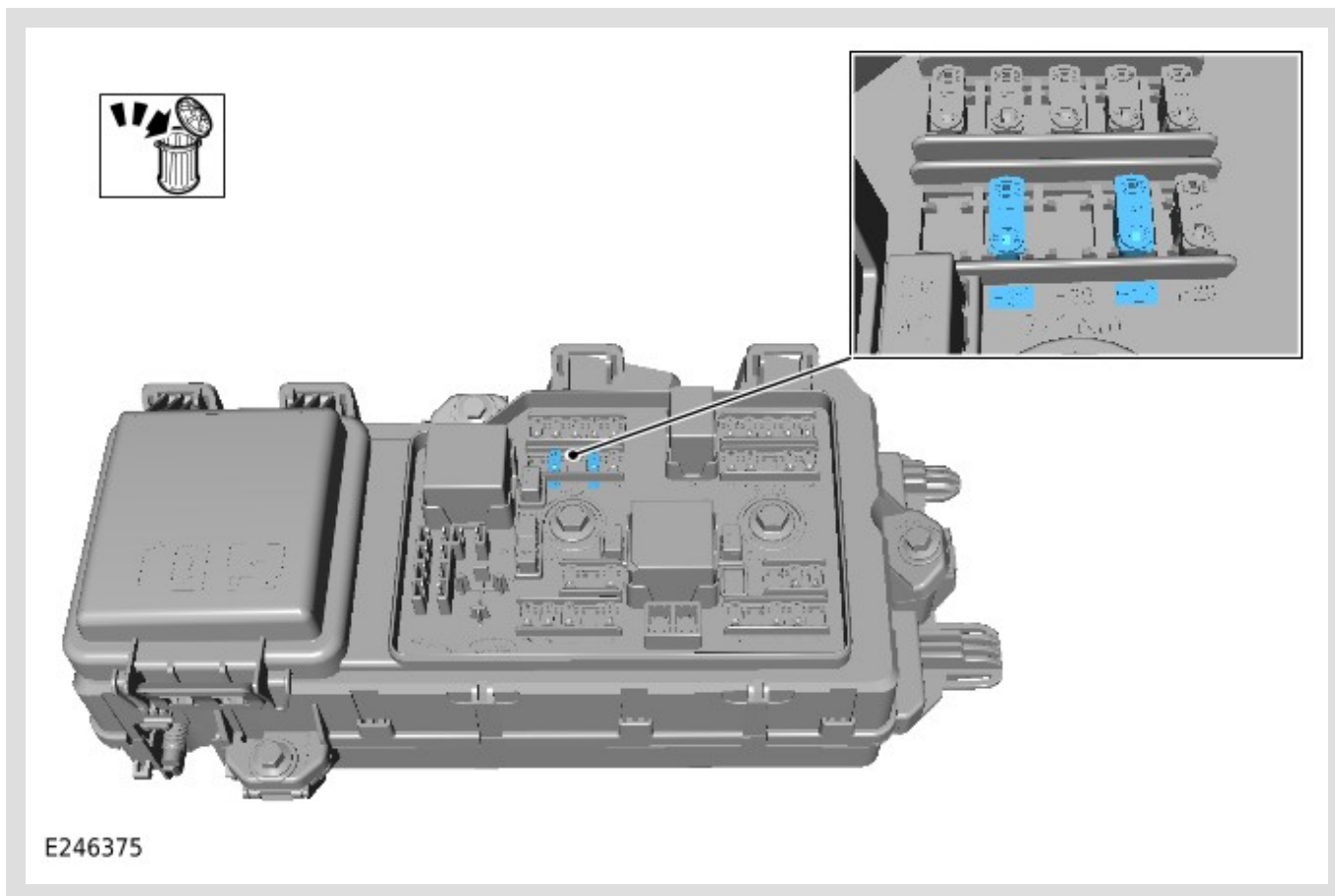


E246374

Remove and discard the Engine Junction Box (EJB) right cover.

- 1 Release 2 retaining clip(s).
- 2 Raise the EJB cover as shown.

4



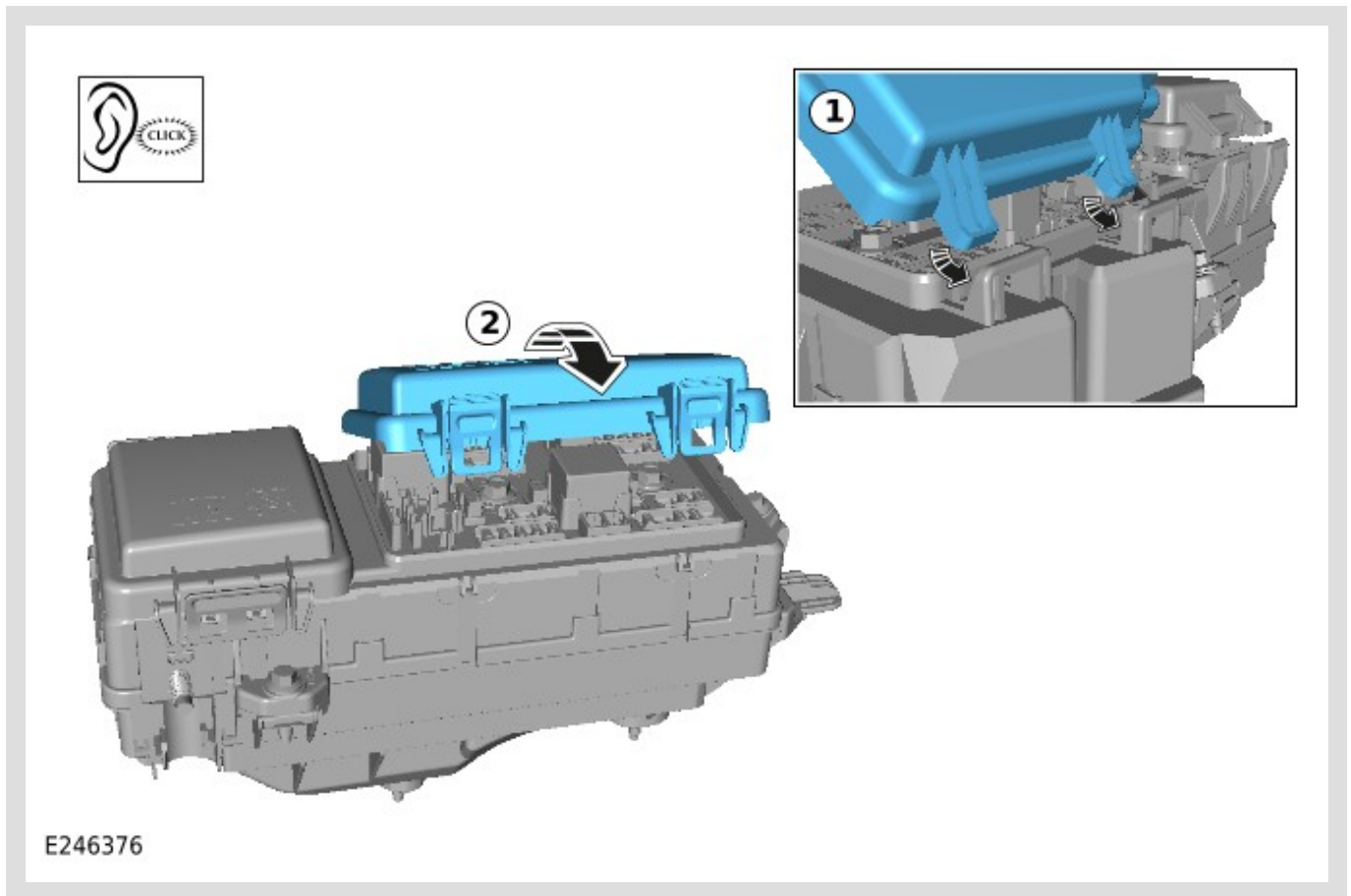
Remove and discard the 15A fuses installed in 'F29' and 'F31' locations.

5 Install new 25A fuses in 'F29' and 'F31' locations.

6

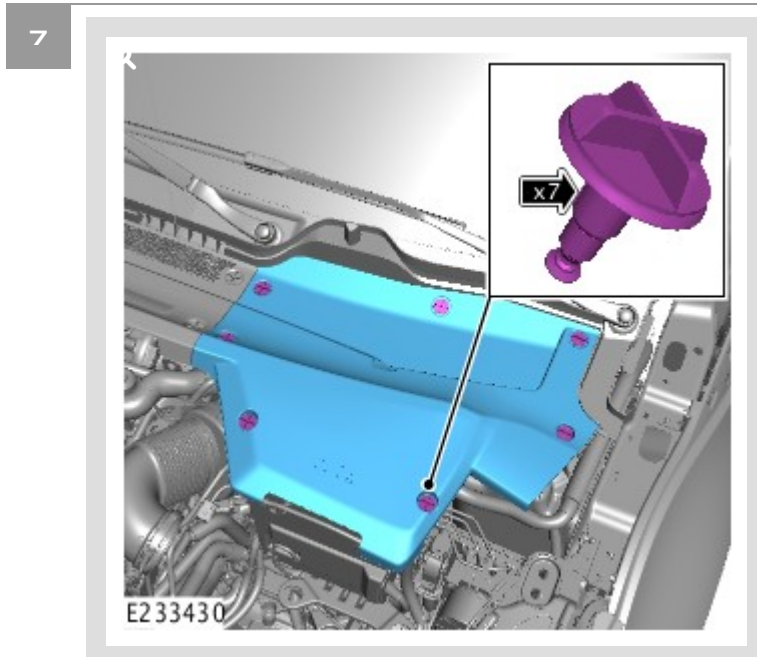
 **NOTE:**

Make sure the rear of the EJB cover is located correctly.



Install the new EJB right cover.

- 1 Position the EJB cover as shown.
- 2 An audible 'click' will be heard when the EJB cover is secured.



Install the battery cover panel.

- Install the 7 retaining clip(s).

---

8 Close the hood.

---





**RANGE ROVER EVOQUE  
OWNER'S HANDBOOK SUPPLEMENT**

**Publication Part No. LSC 18 02 66 201**

E250014

Print and cut out the supplement page and insert it into the Owner's Handbook.

## Supplementary Information

### ABOUT THIS SUPPLEMENT

The following information relates to fuse ratings and supersedes the information shown in the Owner's Handbook.

### FRONT COMPARTMENT FUSES

The following information supersedes that within the Front Compartment Fuses topic of the Owner's Handbook.

Fuse number	Rating (Amps)	Fuse color	Circuits protected
29	25	Clear.	Front screen washer.
31	25	Clear.	Rear screen washer.

Print and cut out the supplement page and insert it into the Owner's Handbook.