

**June 21, 2019**

Version 3

## Safety Recall: 2019 CR-V Cable Reel and Sub-Wire Harness

Supersedes 19-062, dated May 29, 2019, to revise the information highlighted in **yellow**.

### AFFECTED VEHICLES

Year	Model	Trim	VIN Range
2019	CR-V	ALL	Check the iN VIN status for eligibility.

### REVISION SUMMARY

- **TOOL INFORMATION** was added.
- Under **REPAIR PROCEDURE**, steps 6 and 8 were changed.

### BACKGROUND

The steering wheel sub-wire harness may be damaged by a burr on the steering wheel frame. A damaged sub-wire harness may cause a short in the wiring, resulting in damage to the cable reel, and malfunctions in the SRS, horn, and steering wheel controls.

### CORRECTIVE ACTION

Replace the cable reel and sub-wire harness. Install a cord protector on the steering wheel frame.

### PARTS INFORMATION

Part Name	Part Number	Quantity
Steering Repair Kit A (LX)	06785-TLA-305	1
Steering Repair Kit C (EX, EX-L, and Touring)	06785-TLA-307	1
Steering Repair Kit D (with accessory heated steering wheel)	06785-TLA-308	1

**NOTE**

Each repair kit includes a cord protector, cable reel, sub-wire harness, and steering wheel bolt.

**CUSTOMER INFORMATION:** The information in this bulletin is intended for use only by skilled technicians who have the proper tools, equipment, and training to correctly and safely maintain your vehicle. These procedures should not be attempted by "do-it-yourselfers," and you should not assume this bulletin applies to your vehicle, or that your vehicle has the condition described. To determine whether this information applies, contact an authorized Honda automobile dealer.

**TOOL INFORMATION**

Part Name	Part Number	Quantity
SRS Coupler Puller	07AAC-TLAA100	1

**WARRANTY CLAIM INFORMATION**

Operation Number	Description	Flat Rate Time	Defect Code	Symptom Code	Template ID	Failed Part Number
7531A6	<i>LX only:</i> Install the cord protector. Replace the sub-wiring harness and cable reel.	0.8 hr	6SK00	R4S00	A19062A	77900-TLA-D21
7531A6	<i>EX, EX-L, and Touring:</i> Install the cord protector. Replace the sub-wiring harness and cable reel (for non-heated steering wheel).	0.8 hr	6SK00	R4S00	A19062B	77900-TLA-D21
7531A6	<i>EX, EX-L, and Touring:</i> Install the cord protector. Replace the sub-wiring harness and cable reel (for accessory heated steering wheel).	0.8 hr	6SK00	R4S00	A19062C	77900-TLA-D21

Skill Level: Repair Technician

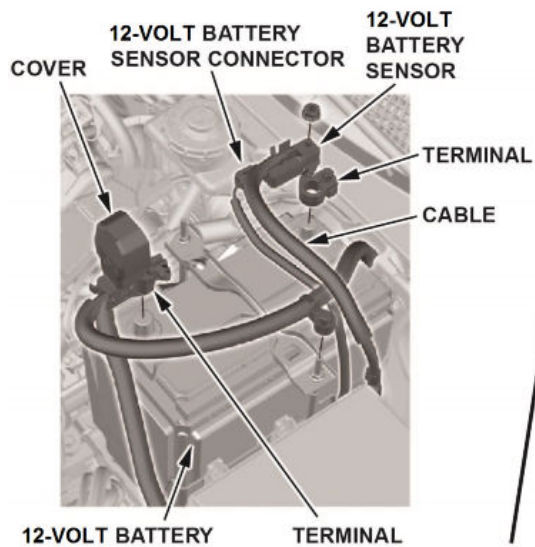
## REPAIR PROCEDURE

1. Set the steering wheel and front wheels in the straight-ahead position.
2. Turn the ignition to OFF.
3. Disconnect and isolate the negative battery cable with the battery sensor from the battery.

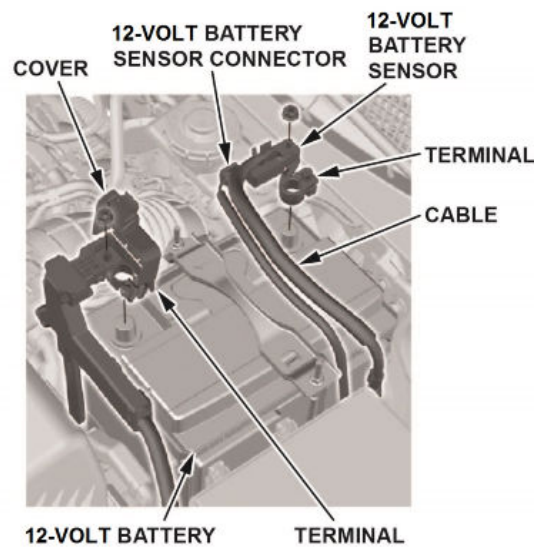
### NOTES

- Always disconnect the negative side first.
- To protect the battery sensor connector from damage, do not hold it when removing the terminal.
- Do not disconnect the battery sensor from the negative cable.

TYPE A



TYPE B

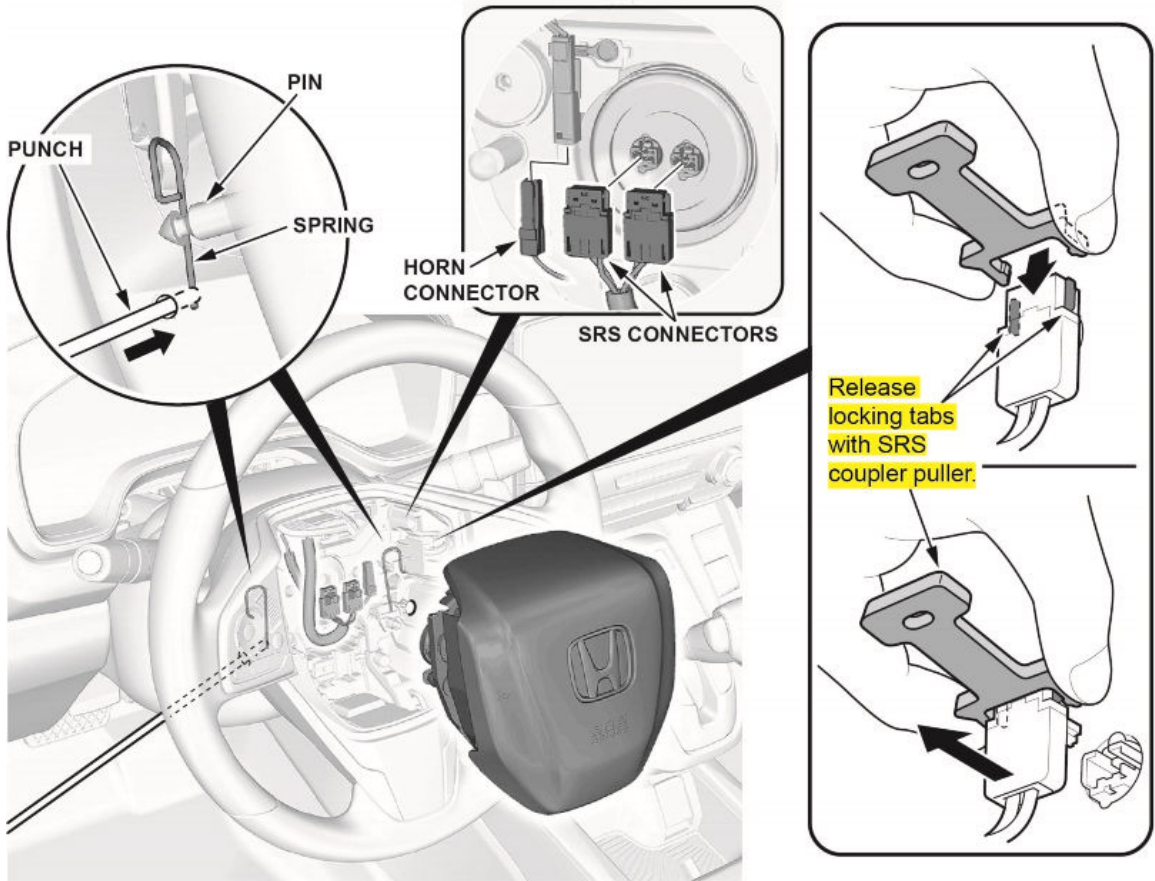


4. *Type A only:* Open the cover.
5. Disconnect the positive terminal from the battery.

### NOTE

Wait **3 minutes** before disconnecting the driver's airbag module.

6. Insert a 5.5 mm-diameter punch through the left hole in the steering wheel cover. Then, push the retainer spring to release the left side airbag module pin while lightly pulling out the module.



7. Repeat step 6 for the right side airbag module pin.
8. Use the SRS coupler puller to release the locking tabs on the SRS connectors, then disconnect the connectors.

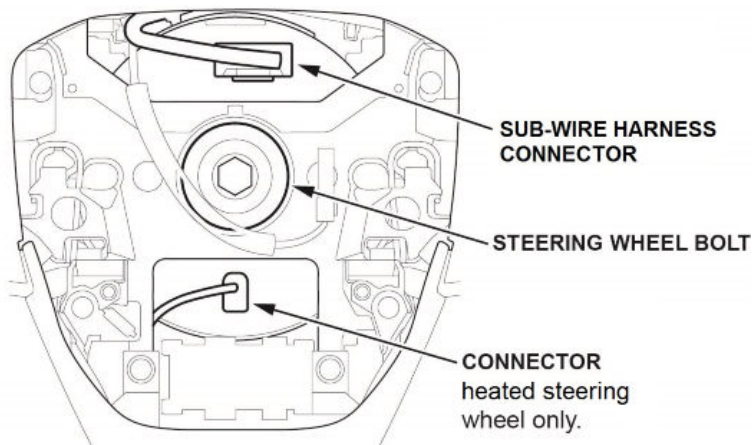
**NOTE**

Be careful not to damage the SRS connectors or the airbag module.

9. Disconnect the horn connector, and remove the airbag module. Set it facing up on a shop towel to avoid damaging the surface.



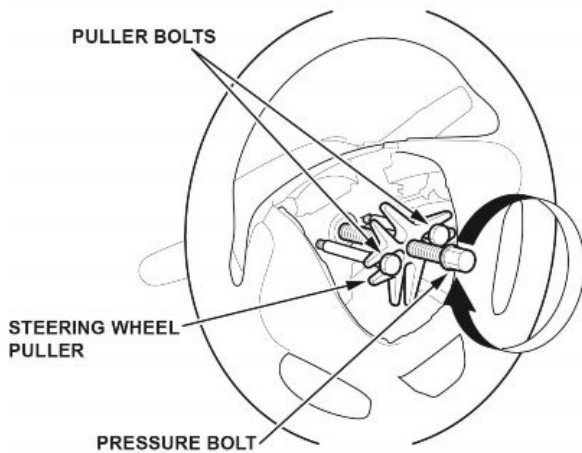
10. Disconnect the sub-wire harness connector from the cable reel.



11. *Heated steering wheel only.* Disconnect the heated steering wheel connector.

12. Loosen the steering wheel bolt three turns.

13. Install a commercially available steering wheel puller on the steering wheel.



14. Free the steering wheel from the steering column shaft by turning the puller's pressure bolt.

**NOTICE**

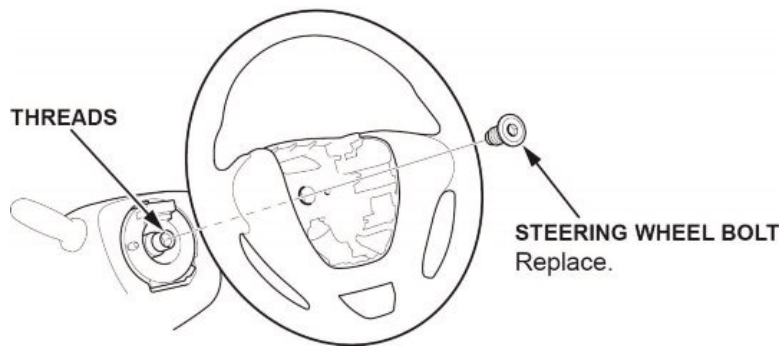
- Do not tap on the steering wheel or the steering column shaft when removing the steering wheel.
- If you thread the puller bolts into the wheel hub more than five threads, they will hit the cable reel and damage it. To prevent this, install a pair of jam nuts five threads up on each puller bolt.

15. Remove the steering wheel puller and the steering wheel bolt.

16. Mark the position of the steering wheel on the splines of the column shaft.



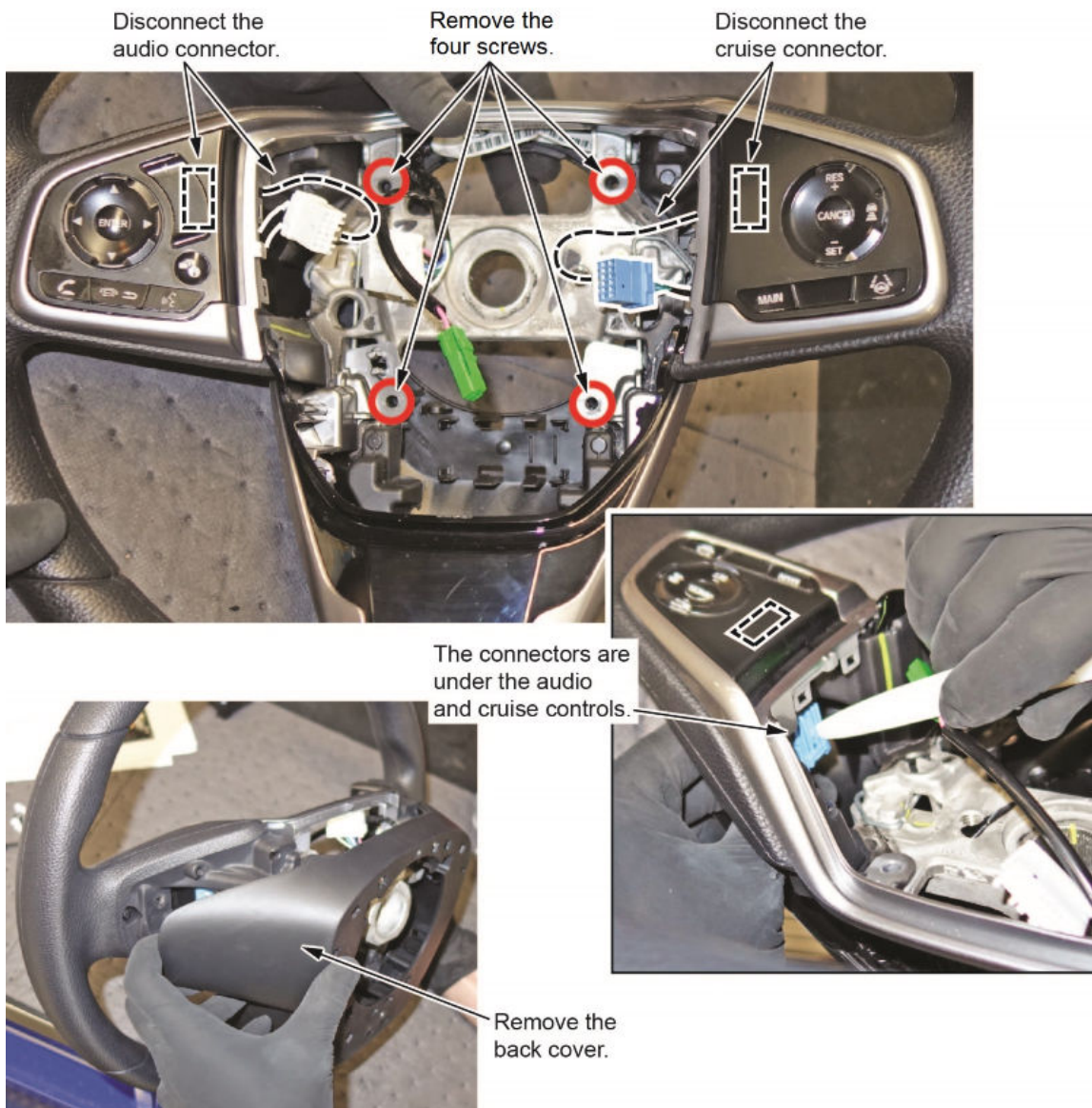
17. Remove the steering wheel.



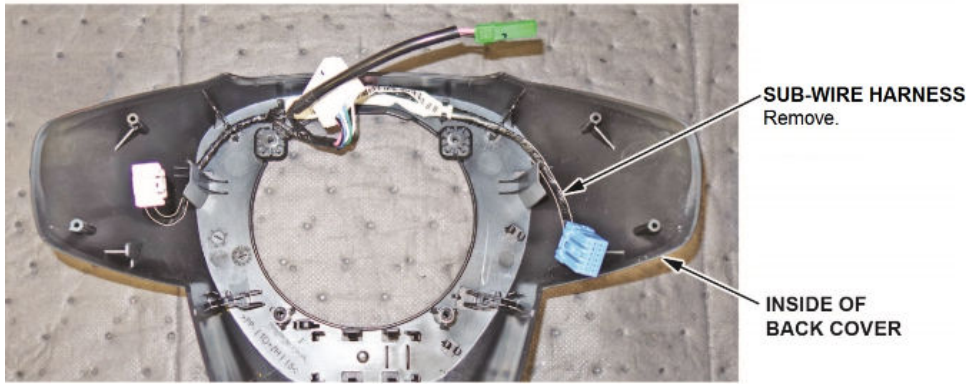
**NOTE**

Remove the old sealant from the column shaft threads.

18. Disconnect the sub-wire harness from the audio remote switch assembly and the cruise control switch assembly. Remove the four screws, and remove the back cover from the steering wheel.



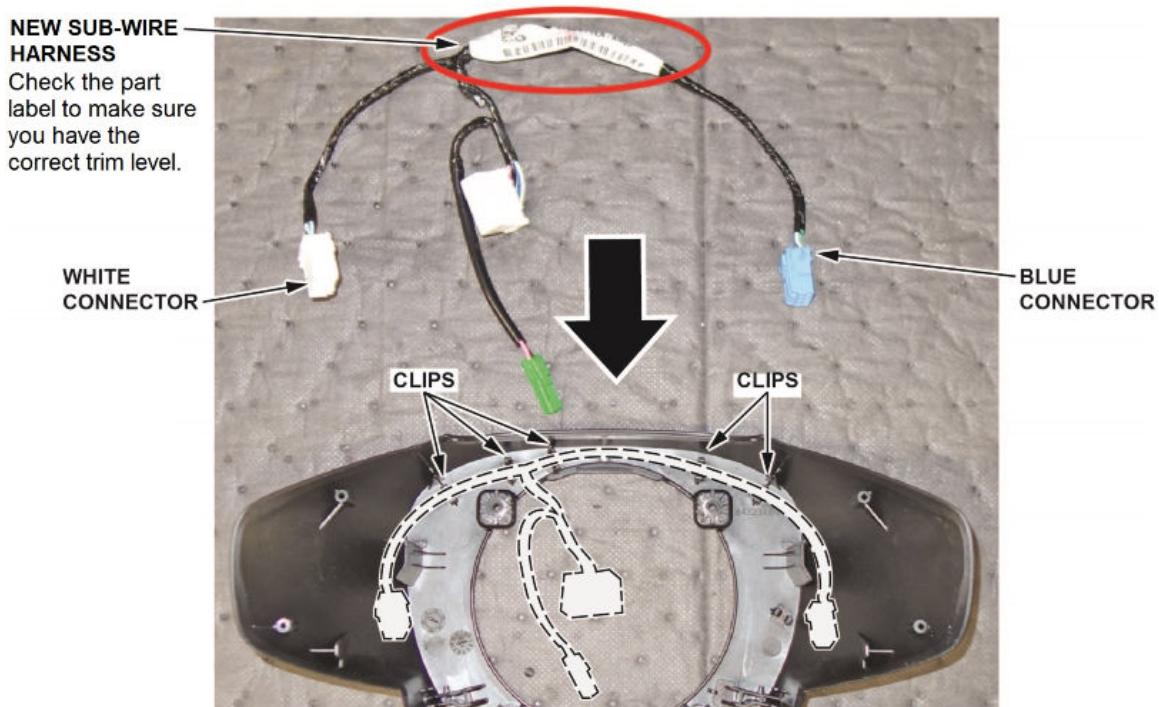
19. Remove the sub-wire harness from the back cover.



20. Check the sub-wire harness part label to be sure you have the correct part for the trim level you are repairing. **Make sure it is the same part number as the one you are replacing.**

Trim	Part Number
LX	77901-TLA-A00
EX, EX-L, and Touring	77901-TLA-A40
With accessory heated steering wheel	77901-TLA-C10

21. Install the new sub-wire harness on the back cover. Make sure the harness is installed as shown. If the harness is reversed, the steering wheel controls will not work.





22. Install the back cover to the steering wheel. Make sure the blue and white connectors are routed through their openings in the steering wheel.



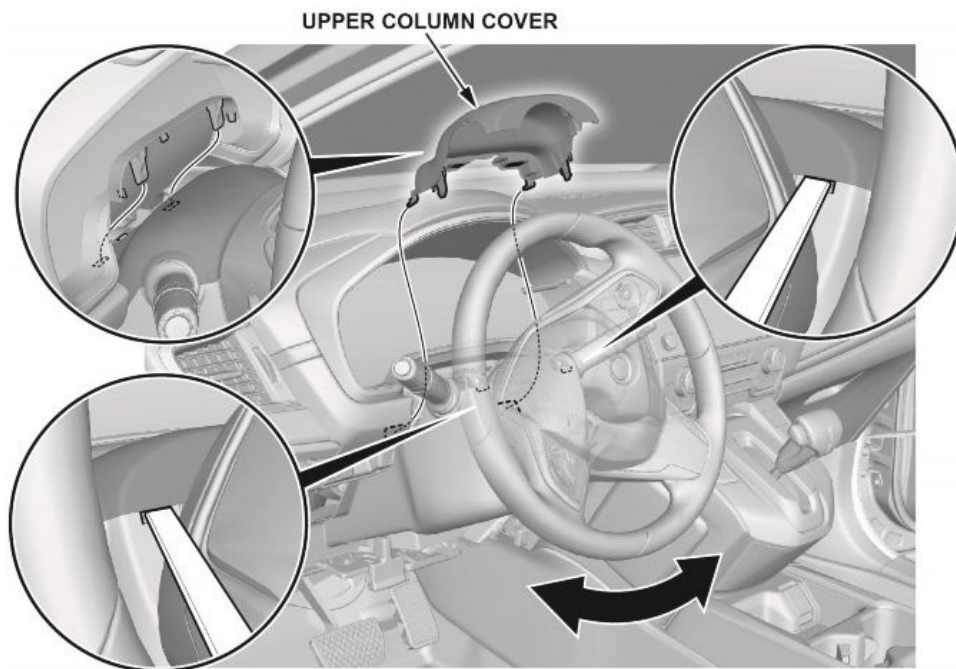
23. Connect the audio remote switch and the cruise control switch connectors.

24. Install the cord protector and the four screws that secure the steering wheel back cover.

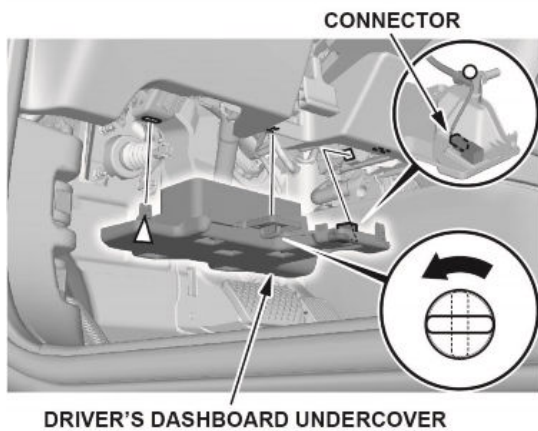




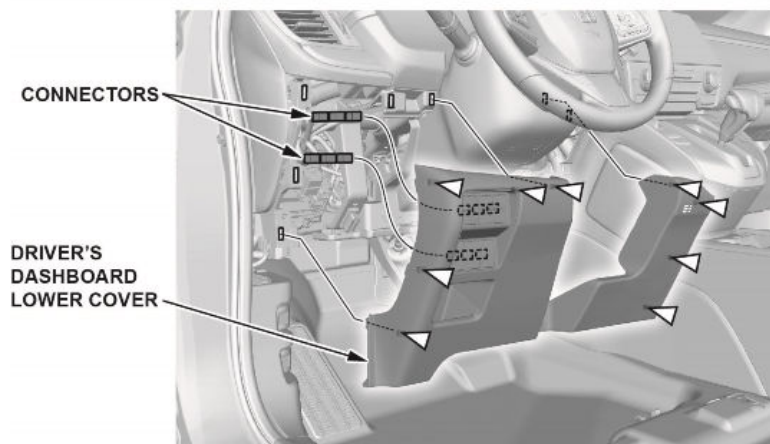
25. Remove the upper column cover. Use a plastic trim tool (commercially available) to unclip it.



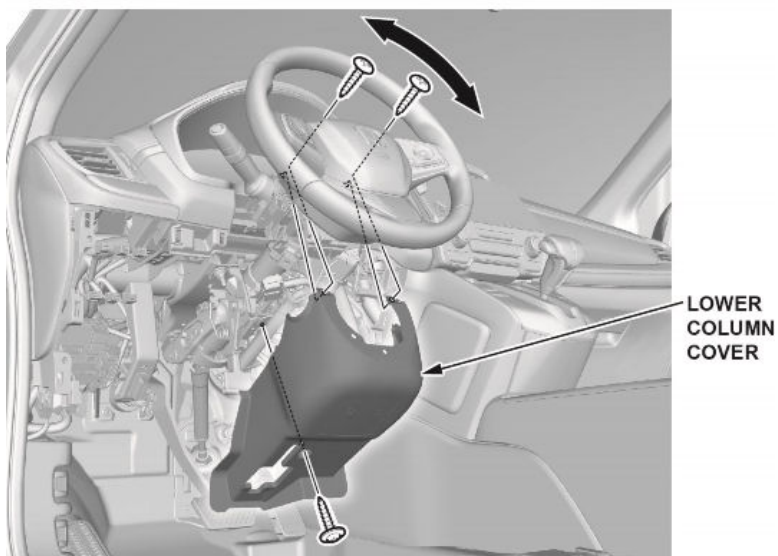
26. All trim levels except LX: Remove the driver's dashboard undercover.



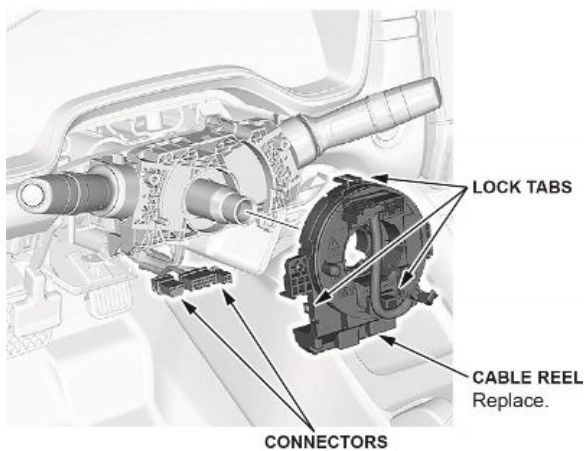
27. Remove the driver's dashboard lower cover. Disconnect the connectors.



28. Remove the lower column cover.

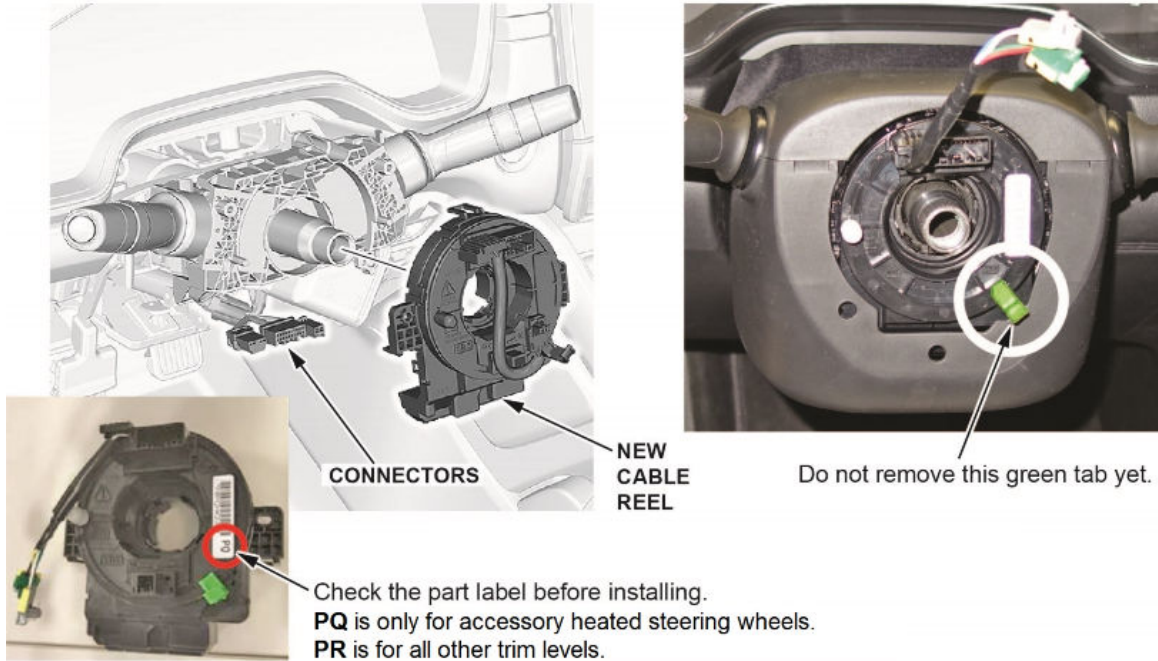


29. Disconnect the connectors from the back of the cable reel.



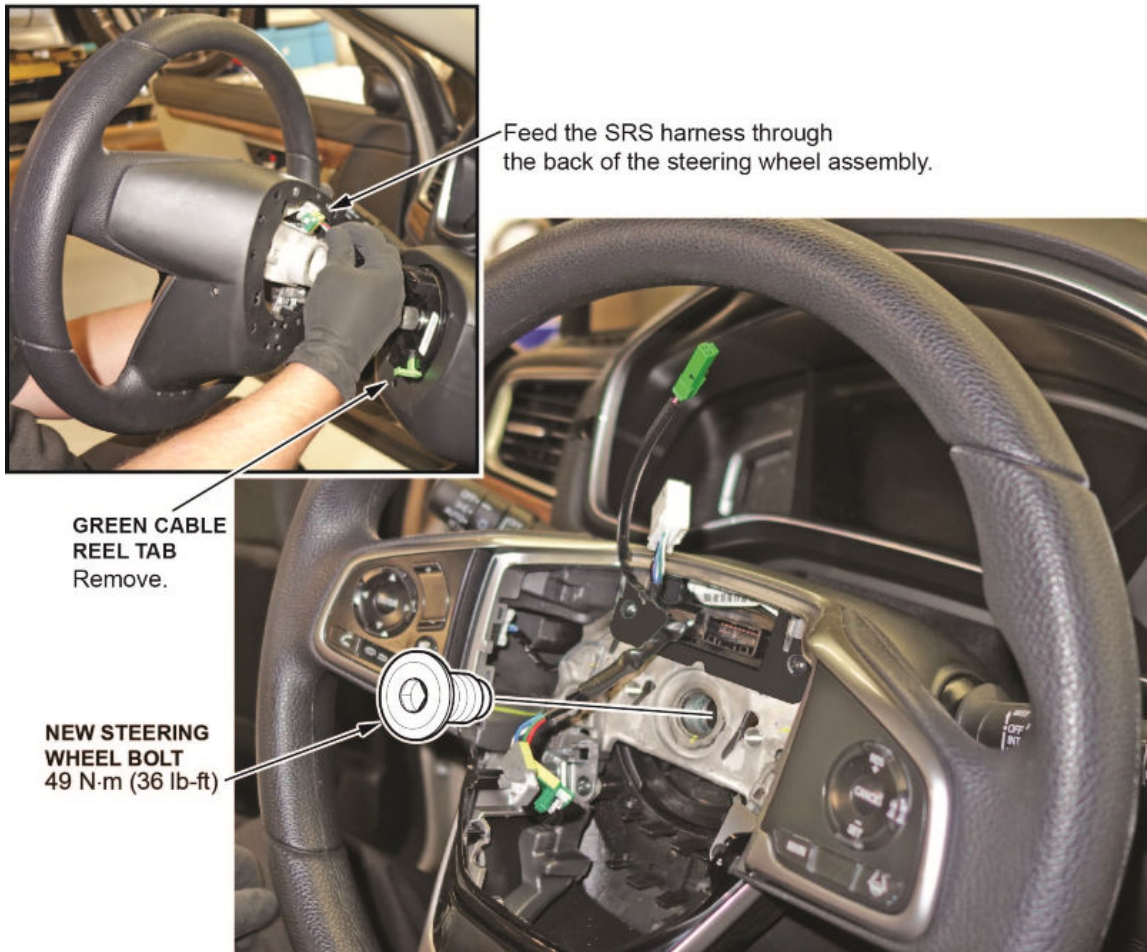
30. Release the lock tabs, and remove the cable reel from the steering column.

31. Check the part label on the new cable reel to make sure you are installing the correct part. Cable reels labeled **PQ** are only for accessory heated steering wheels. Cable reels labeled **PR** are for all other trim levels.



- 32. Install the new cable reel. Leave the green locking tab in place.
- 33. Install the lower steering column cover.
- 34. Install the driver's dashboard lower cover.
- 35. *All trim levels except LX:* Install the driver's dashboard under cover.
- 36. Install the upper steering column cover.

37. Remove the green tab right before installing the steering wheel. Make sure to line up the mark made in step 16.



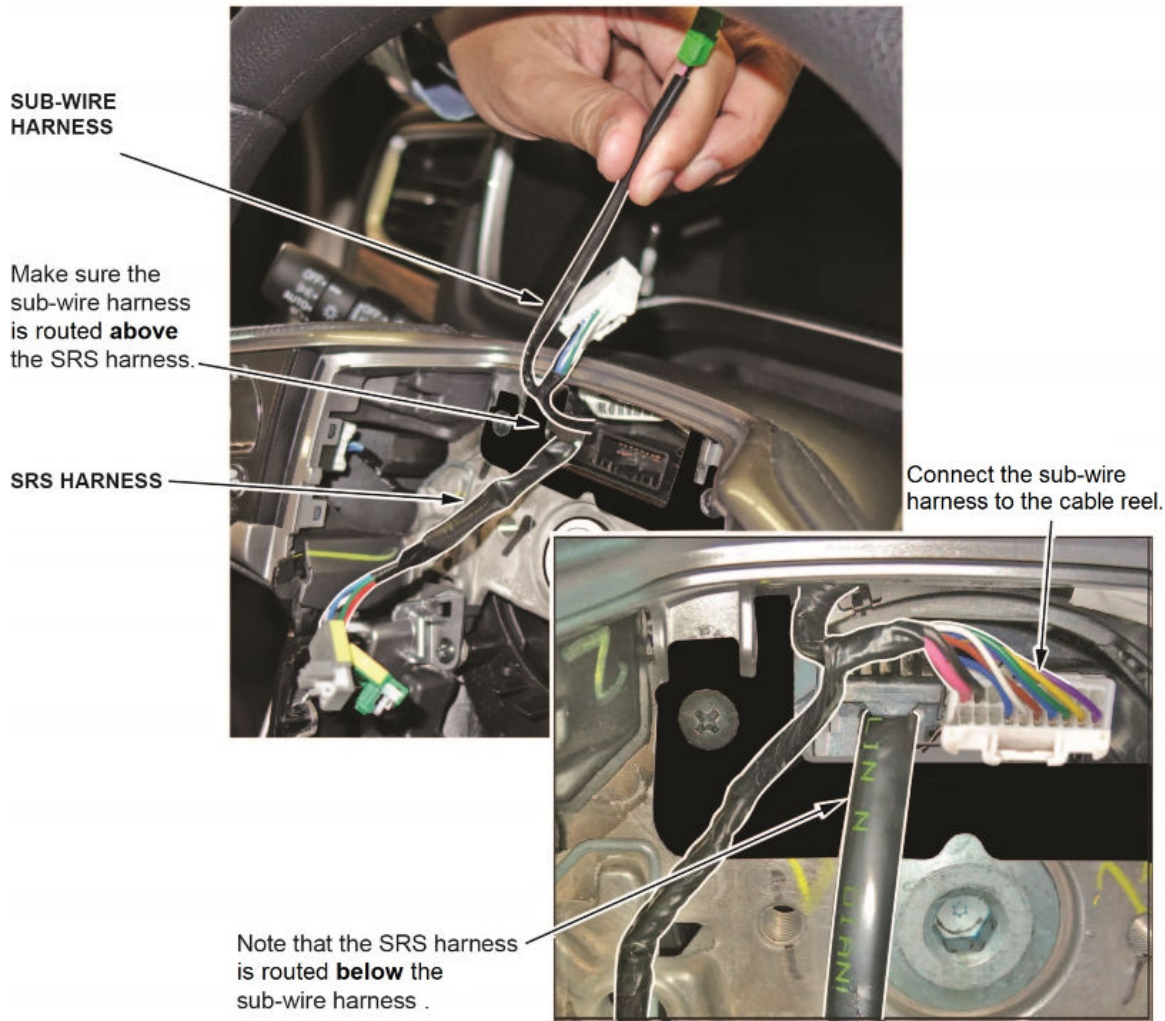
38. Install the new steering wheel bolt, and torque it to **49 N·m (36 lb-ft)**.



39. Connect the sub-wire harness to the cable reel.

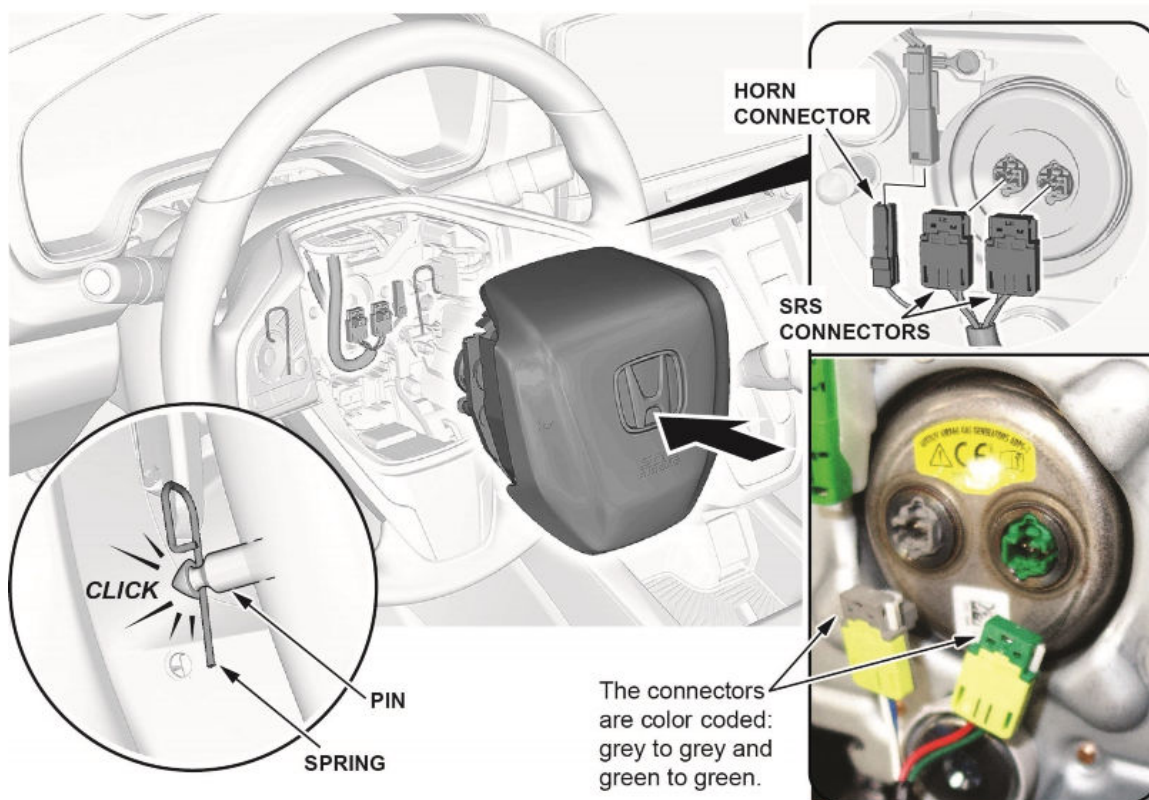
**NOTE**

The sub-wire harness must be routed above the SRS harness.



40. *Heated steering wheel only.* Connect the heated steering wheel connector.

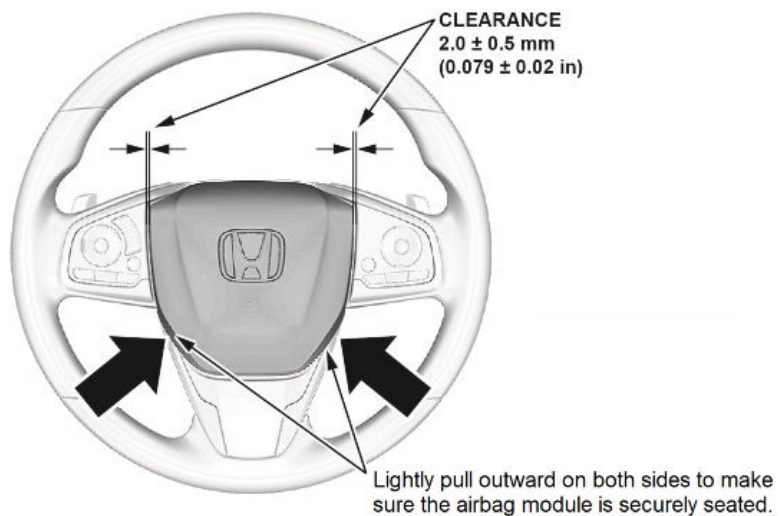
41. Connect the airbag module connectors.



42. Connect the horn to the driver's airbag module.

43. Install the driver's airbag module. Press the module into the steering wheel until the retainer springs engage and click.

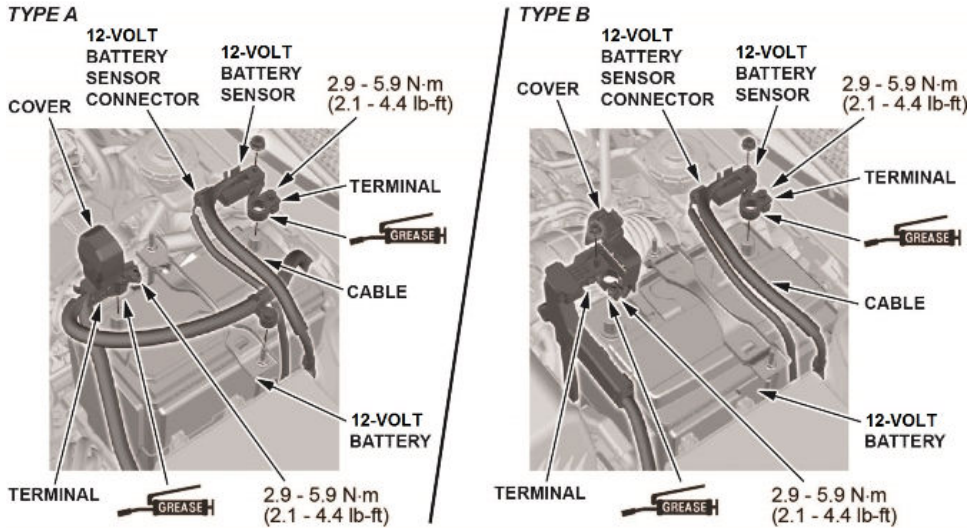
44. Make sure the driver's airbag module is centered in the steering wheel.



45. Connect the battery terminals.

**NOTES**

- Always connect the positive side first.
- To protect the battery sensor from damage, do not hold it when installing the negative terminal
- Apply multipurpose grease to the terminals to prevent corrosion.



46. Check the steering wheel spoke angle. Make sure the steering wheel is centered and the travel from center to full lock (left and right) is equal. If not, check the installation of the steering wheel and the engagement of the joint/pinion shaft splines.
47. Check all steering wheel controls, and make sure there are no warning indicators lit on the instrument cluster.
- **All trim levels:** Make sure the horn, audio remote controls, and cruise control buttons work.
  - **EX, EX-L, Touring:** Make sure the Display/Information and LKAS buttons work.
  - **Heated Steering Wheel:** Make sure the heated steering wheel button works.
48. Do the VSA Sensor Neutral Position - Memorization procedure in the service information.

END