

May 17, 2019

Version 1

Safety Recall: 2010-12 ZDX Incorrect Installation of the Takata Front Passenger's Airbag Inflator

AFFECTED VEHICLES

Year	Model	Trim	VIN Range
2010-12	ZDX	ALL	Check the iN VIN status for eligibility.

BACKGROUND

Some dealers incorrectly installed passenger front airbag inflators under various campaigns to replace the inflators. The incorrect installation of the inflators may have damaged the airbag assembly. Additionally, the airbag may not deploy as designed. If the inspection reveals the inflator is not installed correctly, do not replace only the inflator. **If the inflator is incorrectly installed make sure to replace the front passenger's airbag module assembly.**

There are several bulletins with similar years and models. Make sure to do an iN VIN status inquiry and follow the indicated service bulletin.

CLIENT NOTIFICATION

Owners of affected vehicles will be sent a notification of this campaign.

Do an iN VIN status inquiry to make sure the vehicle is shown as eligible.

Some vehicles affected by this campaign may be in your used vehicle inventory.

Failure to repair a vehicle subject to a recall or campaign may subject your dealership to claims or lawsuits from the client or anyone else harmed as a result of such failure. To see if a vehicle in inventory is affected by this safety recall, do a VIN status inquiry before selling it.

CLIENT INFORMATION: The information in this bulletin is intended for use only by skilled technicians who have the proper tools, equipment, and training to correctly and safely maintain your vehicle. These procedures should not be attempted by "do-it-yourselfers," and you should not assume this bulletin applies to your vehicle, or that your vehicle has the condition described. To determine whether this information applies, contact an authorized Acura automobile dealer.

CORRECTIVE ACTION

Inspect the front passenger airbag inflator and, **if the inflator is not installed correctly, replace the airbag module assembly.**

NOTES

These notes are applicable only when the airbag assembly is replaced:

- Write the serial number and part number from the side of the new replacement front passenger's airbag module box on the repair order.
- To properly dispose of the original inflator, you must remove it from the airbag module. See REMOVE THE INFLATOR FROM THE ORIGINAL AIRBAG MODULE.
- A new inflator box must be ordered and the original inflator must be returned in the box.
- To return the inflator, follow the shipping instructions outlined in the parts information bulletin B15-0006, Inflator Kit Return Process.
- Place the original airbag module (without the inflator) in the airbag module box that the replacement came in. **It may be called in by American Honda.**

PARTS INFORMATION

Inspection Only

Part Name	Part Number	Quantity
Washer Bolt (6 x 16 mm)	90178-STX-003	2
Nut-Washer (6 mm)	90321-SP0-A80	3

Airbag Module Replacement

Part Name	Part Number
Refer to the parts catalog using the VIN to ensure the correct airbag module and ancillary parts are ordered.	Refer to the parts catalog.

- **Make sure the airbag inflator is removed from the original airbag module.** See *Remove the Inflator From the Original Airbag Module* section of this bulletin.
- The new airbag module box must be used to return the old airbag module **without the inflator** to American Honda (if requested). Be careful not to damage the airbag module box.
- To return the inflator, follow the shipping instructions outlined in the parts information bulletin B15-0006, *Inflator Kit Return Process*.
- Parts staff can scan the part number and serial number from the outside of the box into the warranty claim by using the Controlled Part Serial No. screen and scanning the applicable information. Refer to the Job Aid *Ordering and Managing Replacement Inflators* for more information.

WARRANTY CLAIM INFORMATION

- To avoid non-payment of warranty claims for airbag module assembly replacement, the new airbag module part number and serial number must be included in each claim. For more information, refer to step 1 of AIRBAG MODULE INSTALLATION.
- To avoid a warranty claim being charged back to your dealership, follow the normal warranty part retention rules. American Honda may call in the original airbag module.
- The serial number is encoded into the bar code label attached to the outside of the box. If your dealership uses a scanner, you can scan the serial number into the claim.
- The part number is encoded into a barcode attached to the outside of the box. If your dealership uses a scanner, you can scan the part number into the claim.
- **If you confuse the serial number and part number when entering the claim information**, your claim will automatically be rejected.
- Template IDs are not included because there are many model/trim/color variations.
- There are several service bulletins with similar years and models. Make sure you file your warranty claim under the correct bulletin. If you file your claim under the wrong bulletin, your claim will be debited.

Operation Number	Description	Flat Rate Time	Defect Code	Symptom Code	Failed Part Number
7540A4	ZDX Inspect the original airbag inflator installation.	0.6 hr	6NG00	P4R00	77851-SZN-A30
7541F7	ZDX - Inspect the inflator and replace the original airbag module.	0.6 hr	6NG00	P4R00	77851-SZN-A30

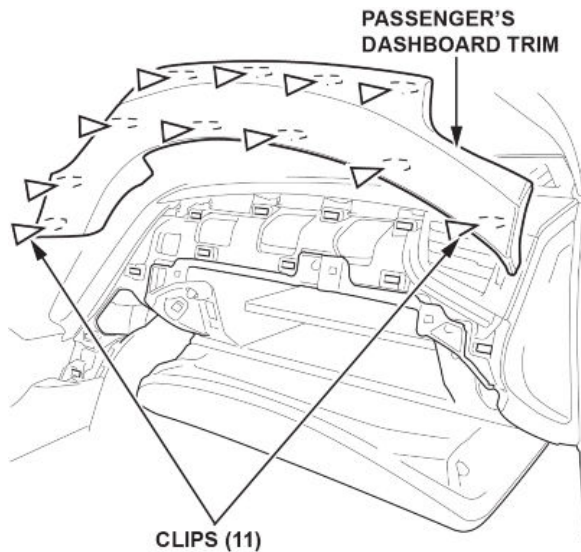
Skill Level: Repair Technician

INSPECTION PROCEDURE ZDX

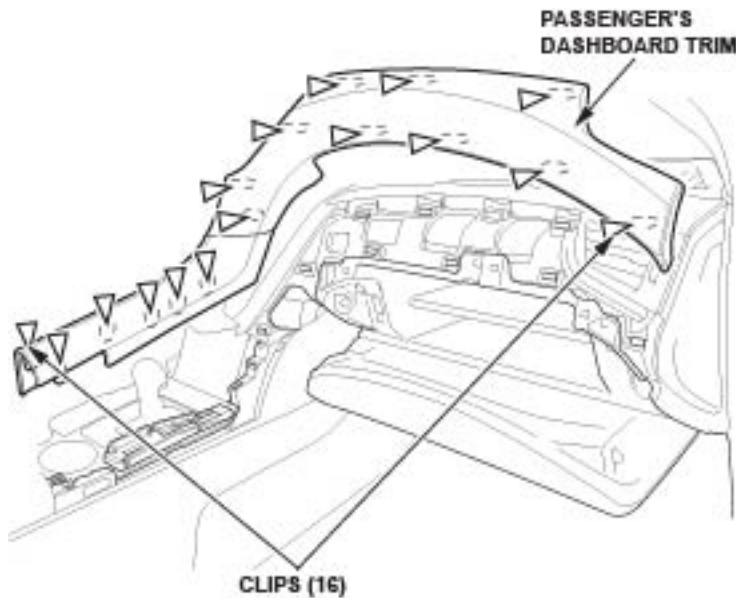
NOTES

- If the VIN status inquiry indicates that the vehicle is subject to any open safety recalls, including a driver's airbag inflator campaign/recall, make sure to also complete those recall repairs before returning the vehicle to the client. If you are unable to complete any open recall, advise the client of the recall status and when the recall could be completed.
 - Some systems store data in memory that is lost when the battery is disconnected. Do the following procedures before disconnecting the battery.
 - Make sure you have the anti-theft code for the audio or the audio-navigation unit.
 - Make sure the ignition switch is in LOCK (0).
 - Disconnect and isolate the negative cable from the battery.
1. Open the glove box, and remove the passenger's dashboard trim.

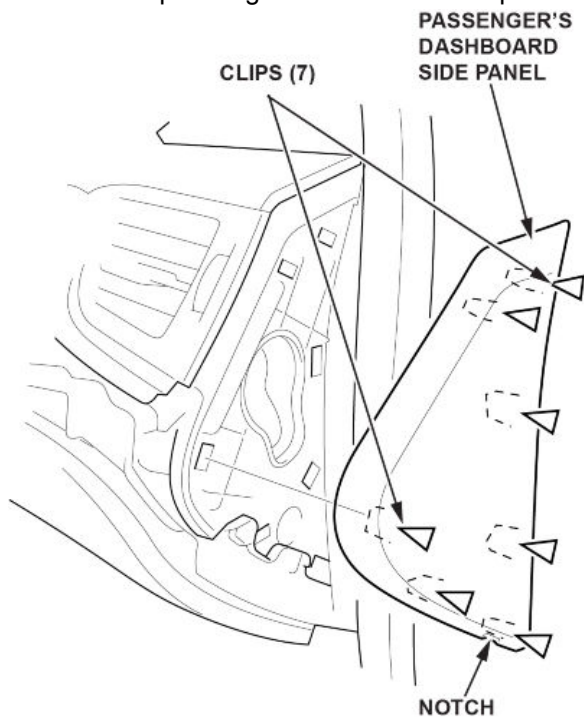
2010-11 ZDX



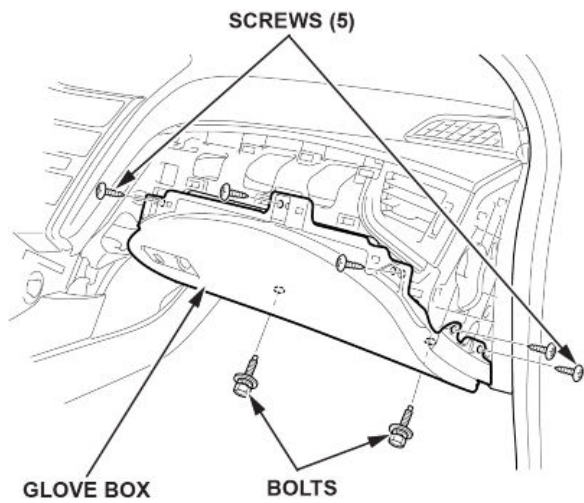
2012 ZDX



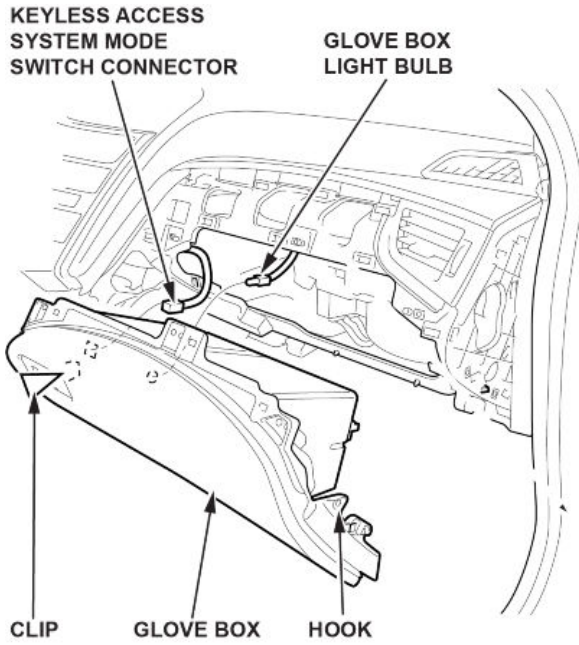
2. Remove the passenger's dashboard side panel.



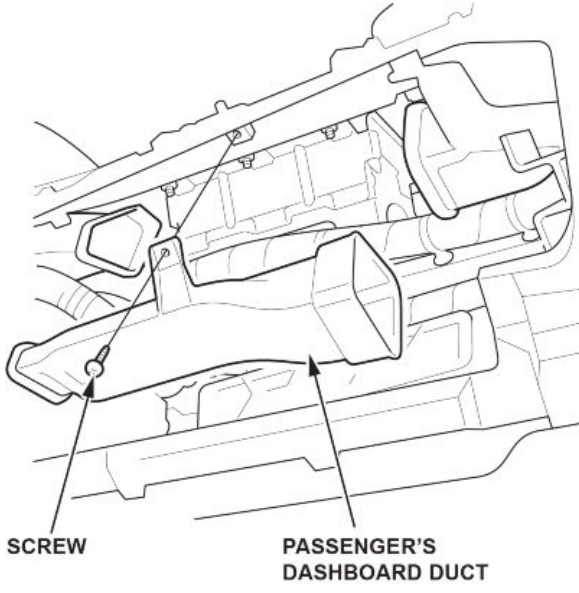
3. Remove the bolts and screws.



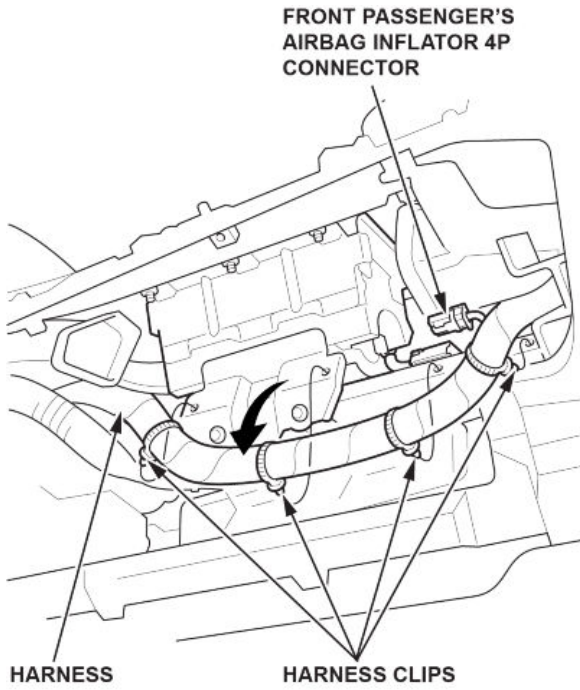
4. Release the hook and pull the glove box out to detach the clip.



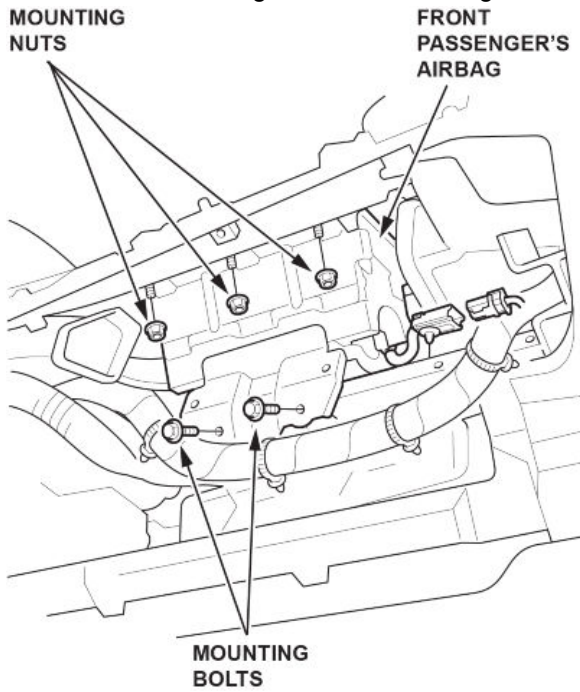
5. Disconnect the glove box light connector and the keyless access system mode switch connector (if equipped).
6. Remove the passenger's dashboard duct by removing the screw.



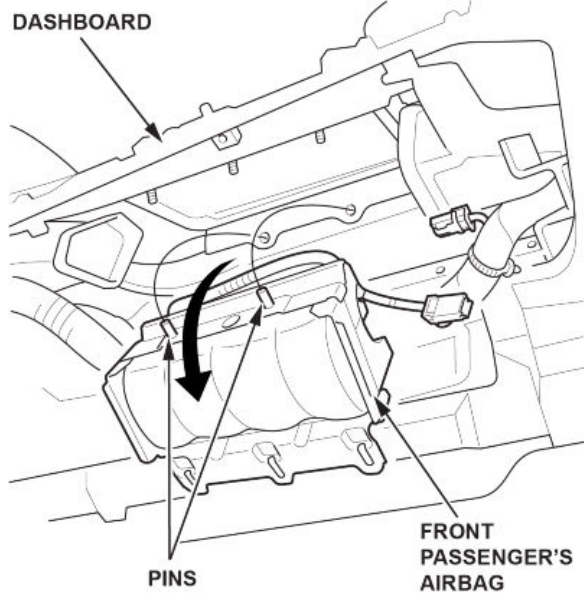
7. Detach the airbag harness clips. Pull down the wire harness, then disconnect the front passenger's inflator connector.



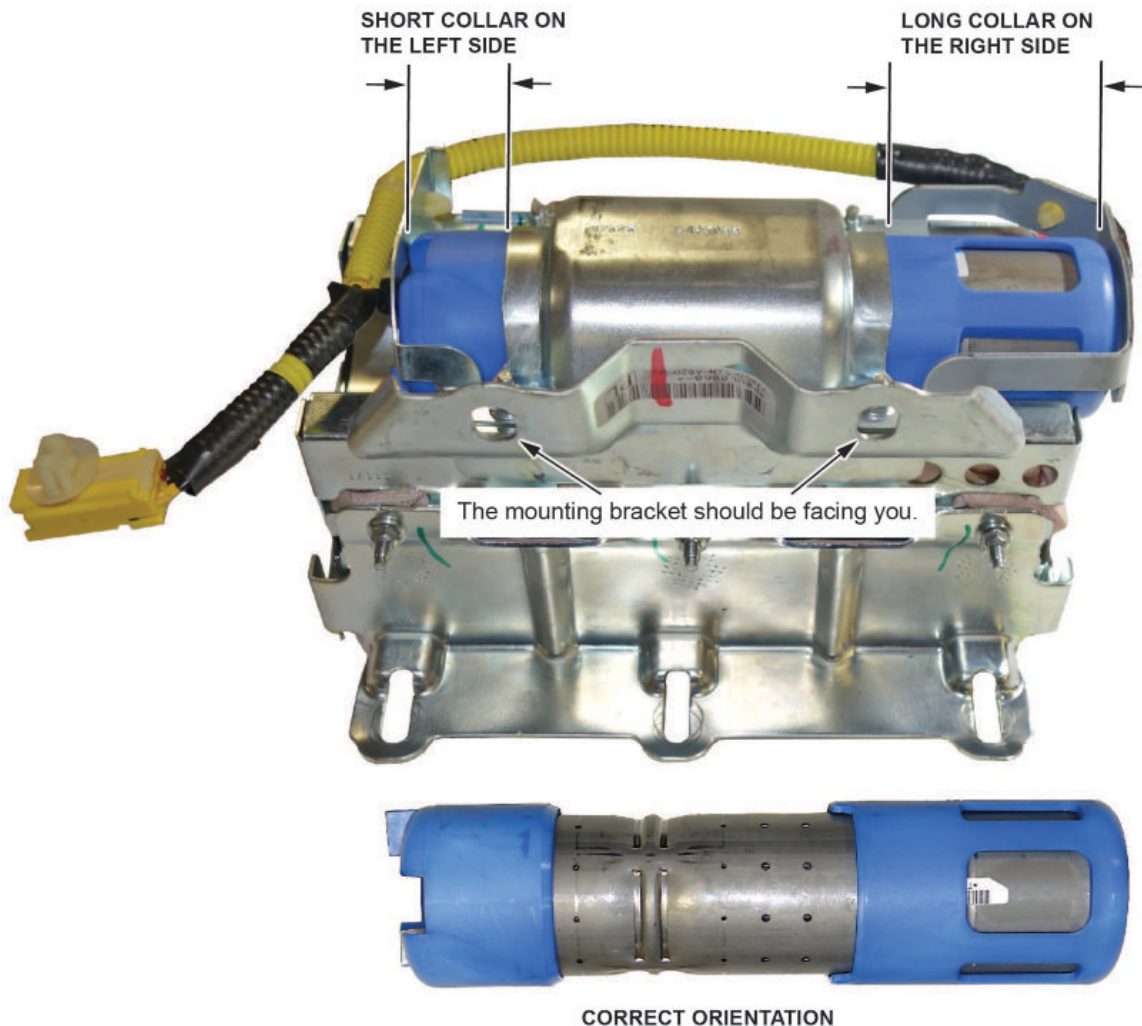
8. Remove the mounting nuts and mounting bolts from the front passenger's airbag.



9. Release the pins and remove the front passenger's airbag.



10. Place the airbag, face-down, on a clean shop towel with the mounting bracket facing toward you, and inspect the plastic collars on the passenger's airbag inflator.
- If the long collar is on your right side (closer to the driver's side when installed in the vehicle), the inflator installation is **GOOD**. Reassemble the glove box in the reverse order of removal.
 - If the long collar is on your left side (closer to the front passenger's door when installed in the vehicle), the inflator installation is **NO GOOD**. Go to AIRBAG MODULE INSTALLATION.



AIRBAG MODULE INSTALLATION

1. **For airbag module replacement only** - Write the serial number and part number from the side of the new front replacement passenger's airbag module box on the RO. For the warranty claim to be paid, **the new front passenger's airbag module part number and serial number** must be included in the warranty claim.



2. Install the passenger's airbag module (assembly). Refer to the applicable model's service information.
3. After reconnecting the 12-volt battery, turn the ignition to ON, and check if the SRS indicator comes on for about 6 seconds, then goes off. If the indicator does not come on, or comes on and stays on, follow normal troubleshooting.
4. Set the clock (for vehicles without navigation), and enter the anti-theft code for the audio and navigation system (if applicable).
5. **For airbag module replacement only** - Remove the inflator from the original airbag module. Refer to REMOVE THE INFLATOR FROM THE ORIGINAL AIRBAG MODULE.
6. **For airbag module replacement only** - Give your warranty clerk the RO that includes the replacement front passenger's airbag module serial number and replacement part number. For the warranty claim to be paid the **new front replacement passenger's airbag module part number and serial number** must be included in the warranty claim.

REMOVE THE INFLATOR FROM THE ORIGINAL AIRBAG MODULE

NOTE

If you replaced the original airbag module because of an incorrectly installed inflator, you must remove the inflator from the original airbag module, and return the inflator as part of your pallet shipment to its supplier.

1. Order a new inflator box from XPO to return the original airbag module inflator. Use the contact information below:

Primary Contact: Tel#: 1-210-250-5079

Email: SCFieldAction.14305@xpo.com

2. Remove the harness from the inflator bracket.
3. Short the red and yellow wires.

NOTE

Depending on the vehicle, you must cut the red or yellow wires to remove the inflator, and both sets of wires must be shorted to prevent accidental deployment.

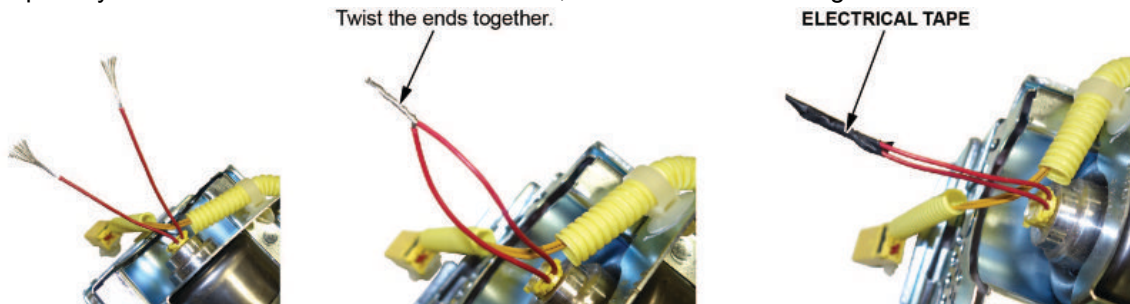
- 3.1. Cut the red wires about 2 inches from the inflator.

NOTE

There may be some protective tube covering the wires that needs to be cut away to access the wires.

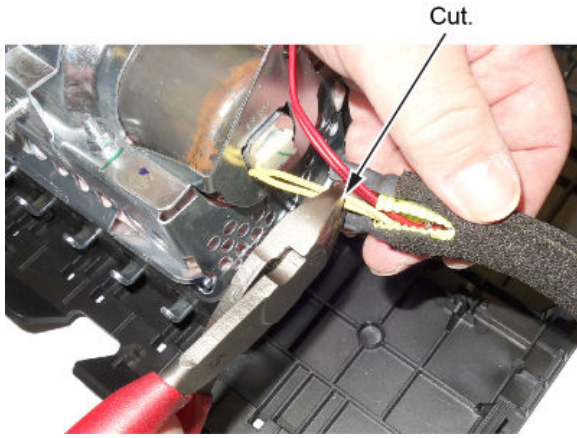


- 3.2. Strip away about 1 inch of the red wire insulation, then twist the wires together.

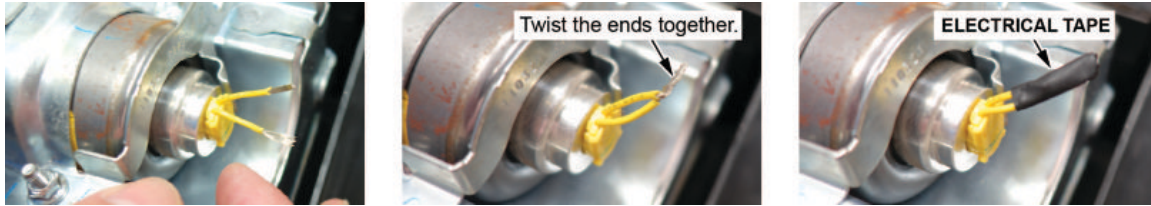


- 3.3. Tape the twisted ends with electrical tape.

3.4. Cut the yellow wires about 2 inches from the inflator.

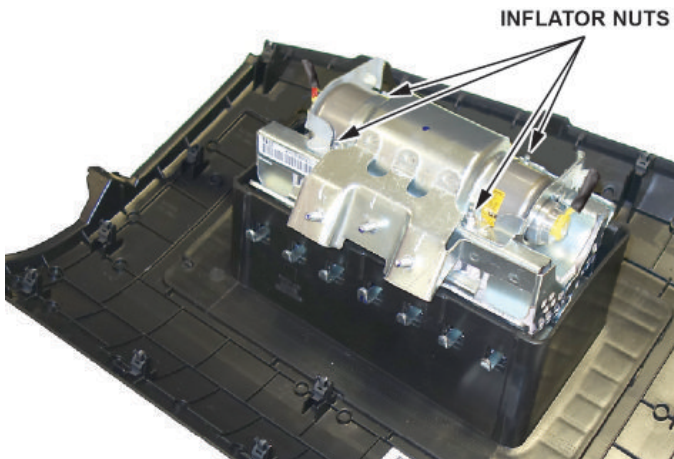


3.5. Strip away about 1 inch of the yellow wire insulation, then twist the wires together.



3.6. Tape the twisted ends with electrical tape.

3.7. Remove the four inflator nuts.



4. Remove the inflator bracket.

NOTE

You can only remove one of the brackets, as the other is welded to the airbag housing.



5. Remove the inflator by pulling it out.



6. Put the original inflator into the new inflator box acquired from XPO. Make sure there is no other hardware in the box because if the package rattles, it will not be accepted by the courier.
7. Follow the shipping instructions outlined in PIB B15-0006 to return the undeployed inflator.
8. Place the original airbag module (without the inflator) in the airbag module box that the replacement came in. Properly fill out and attach a warranty claim tag to it. The original airbag module may be called in by AHM.

END