



## Volvo Car Customer Service

QB Instruction VCC-506237-4

<b>Title</b>	Recall 29936 Coolant Bleeder Hose Replacement (Engine Side)	<b>Page</b>	1 ( 8 )
<b>Action</b>	Replacement	<b>Operation number:</b>	97544-2

Issue	Date	Reason
1	2016-04	First issue

### Affected vehicles

Model year	Model	Engine
2016	XC90 (16-)	B4204T23

### Materials

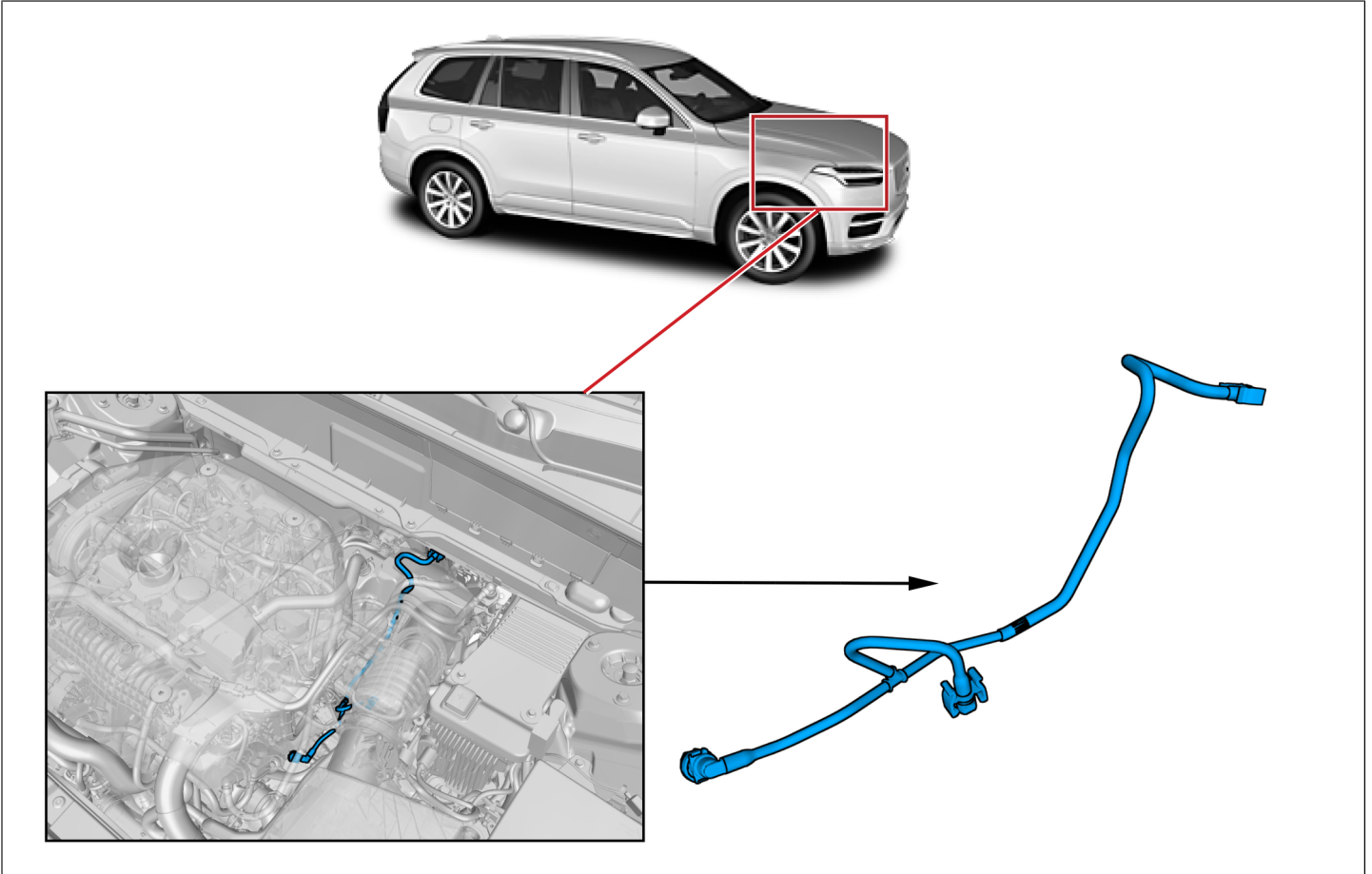
Materials	Qty.	Part No.	Notes
Water	1.0		
Coolant	1.0	31439821	US/ CA Only;
Bleeder hose	1.0	32252299	

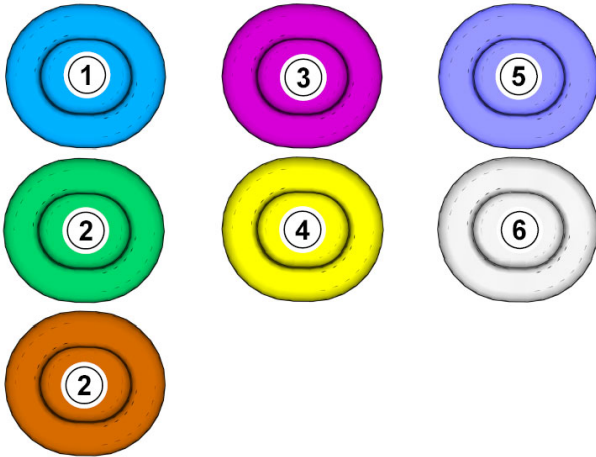
### Special tools

Description	Part No.
Cover	951 2955
ENGINE COOLANT SYSTEM - PRESSURE TESTER	998 5496

Removal

Note! Removal steps in this procedure may contain installation details.



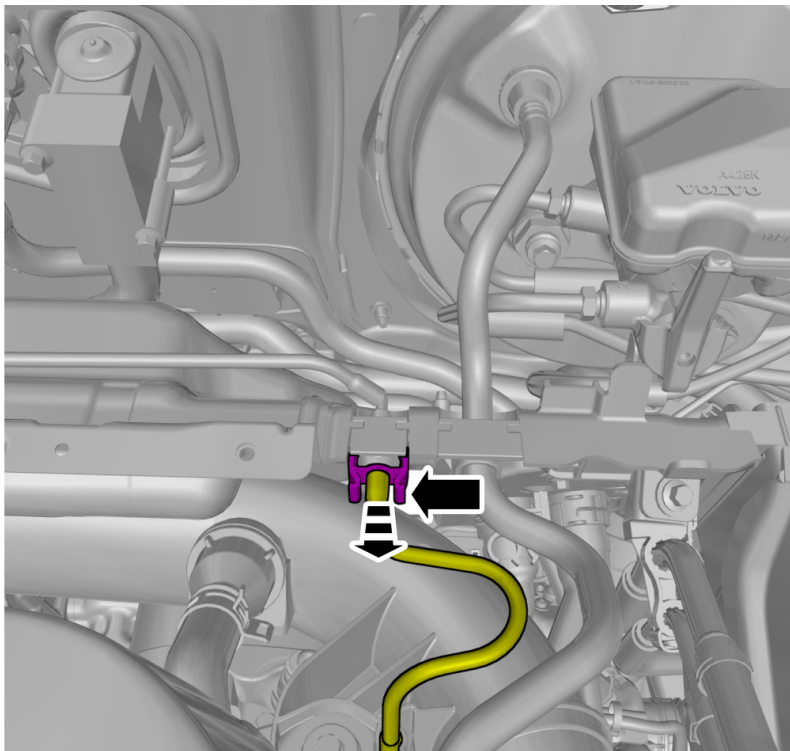
**Color symbols**

**Note! This colour chart displays (in colour print and electronic version) the importance of the different colours used in the images of the method steps.**

- 1 . Used for focused component, the component with which you will do something.
- 2 . Used as extra colors when you need to show or differentiate additional parts.
- 3 . Used for attachments that are to be removed/installed. May be screws, clips, connectors, etc.
- 4 . Used when the component is not fully removed from the vehicle but only hung to the side.
- 5 . Used for standard tools and special tools.
- 6 . Used as background color for vehicle components.

Drain cooling system, draining, filling, and bleeding , refer to:

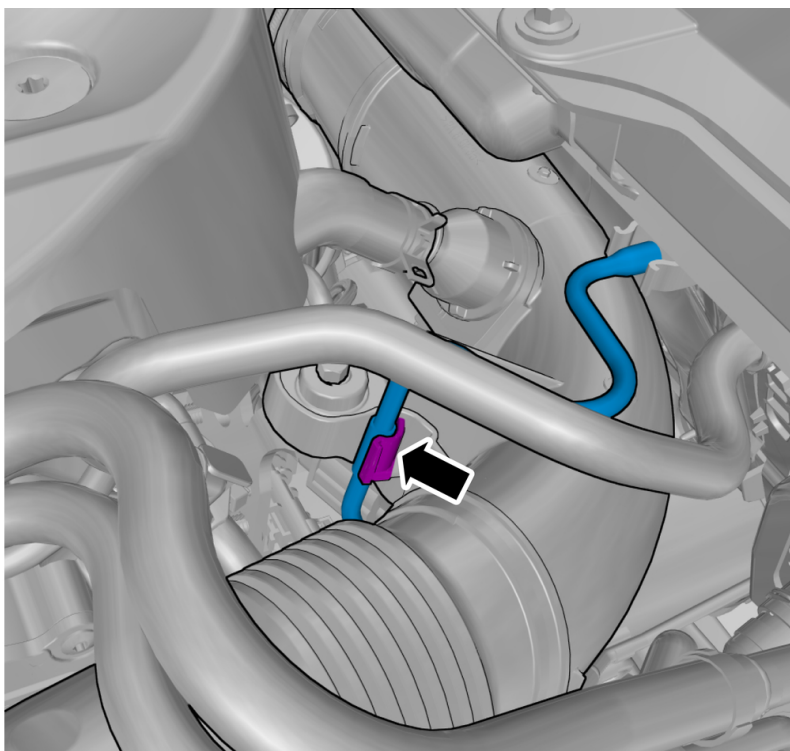
- Cleaning, Inspection and Adjustment
- 2 - Engine with mountings and equipment
- 26 - Cooling system
- 261 - radiator and connections



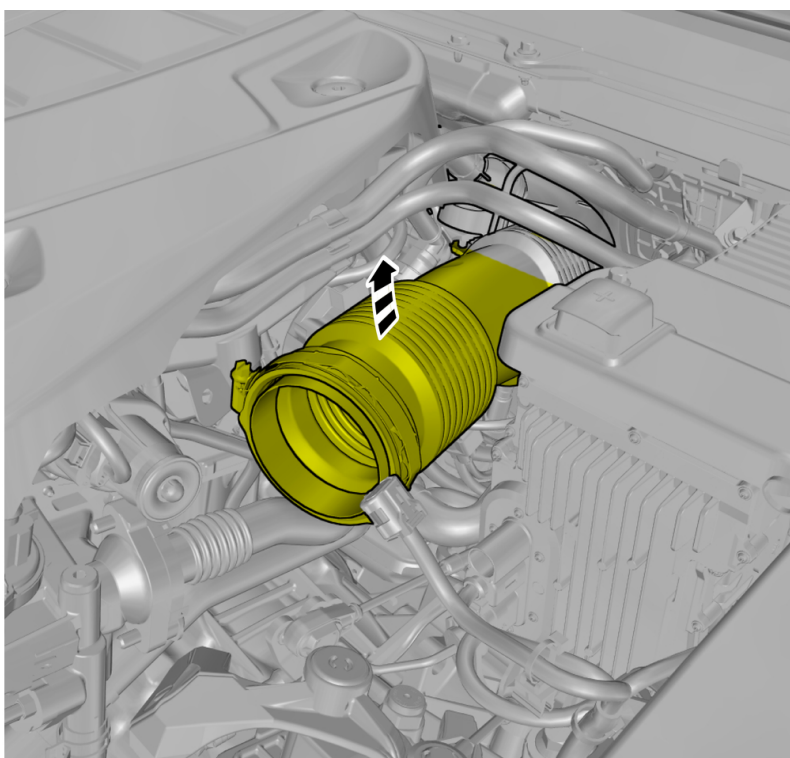
**Warning!** Be prepared to collect escaping fluid.

Release the locks.  
Undo the hose from the connection.

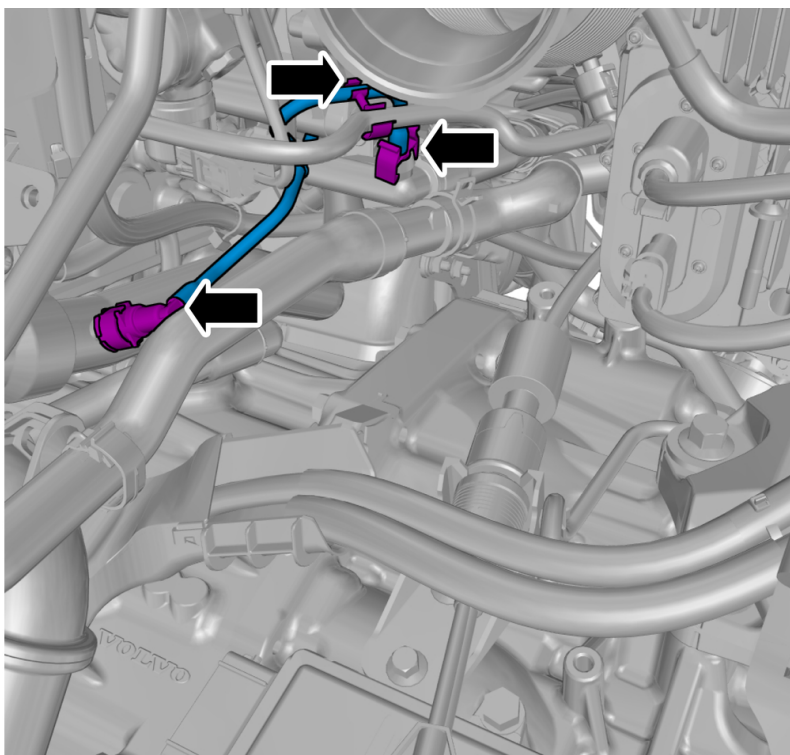
Remove the air filter housing , refer to:  
 Removal, replacement and installation  
 2 - Engine with mountings and equipment  
 25 - Intake and exhaust system  
 256 - air cleaner and throttle housing



Loosen the clip.

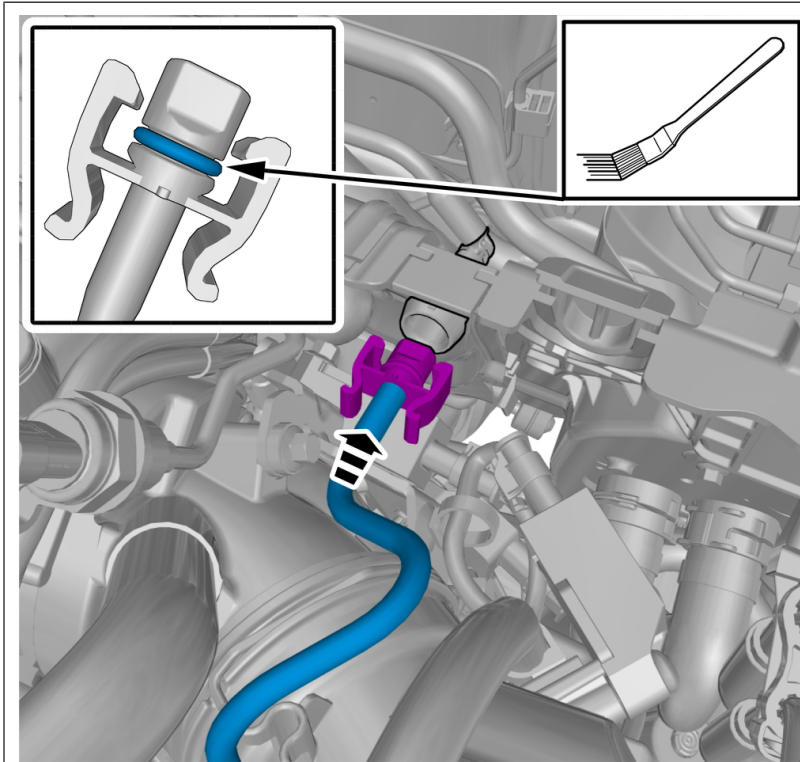


Fold marked part aside.



Release the locks.  
Undo the hoses from the connections.  
Remove the marked part.

## Installation



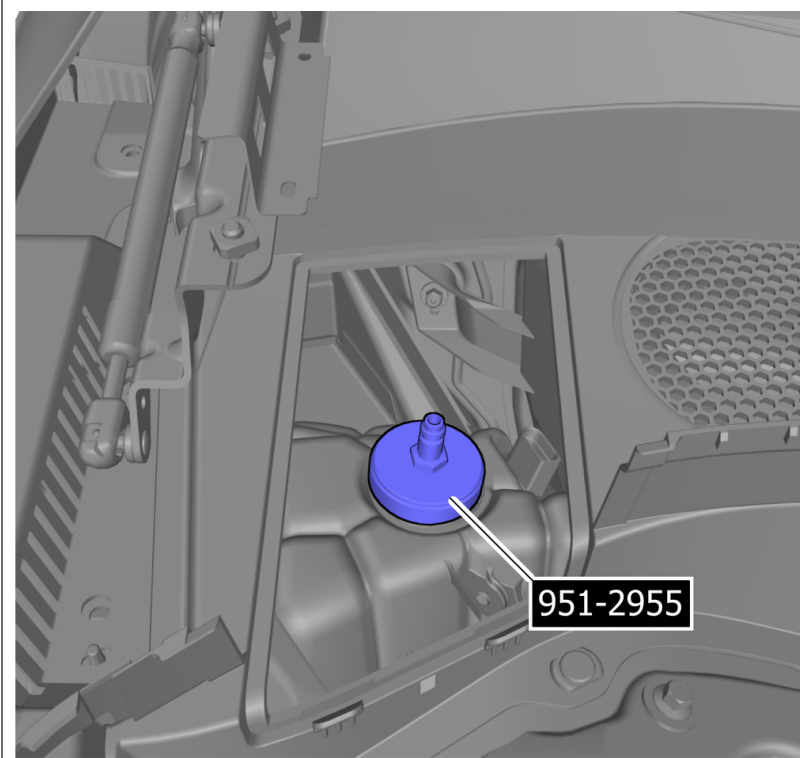
**Caution! Only use the specified material to lubricate the seals.**

**Use:** Water ,  
Install the hose.

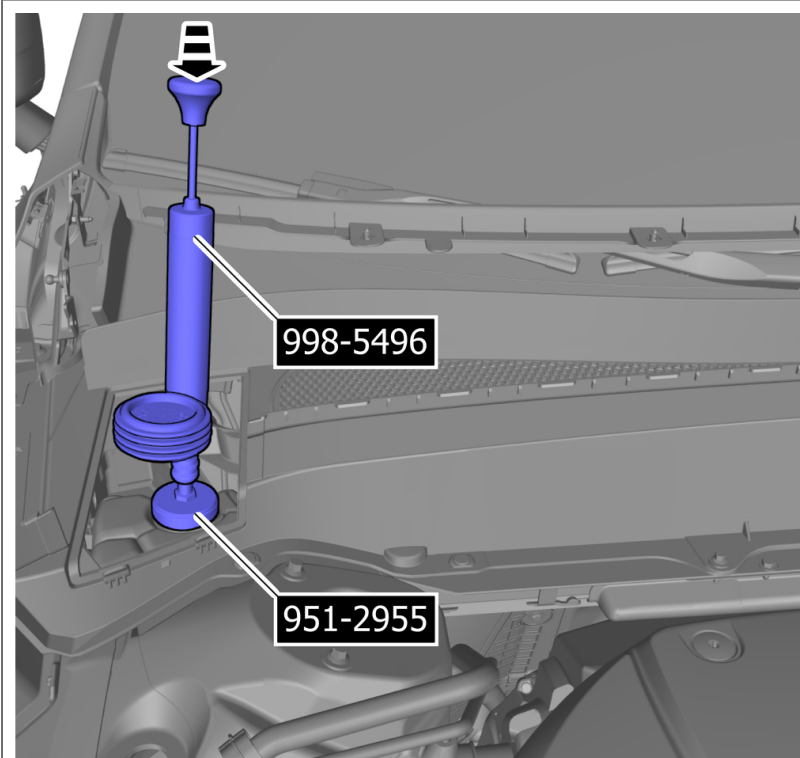
To install, reverse the removal procedure.

Fill cooling system, draining, filling, and bleeding , refer to:  
Cleaning, Inspection and Adjustment  
2 - Engine with mountings and equipment  
26 - Cooling system  
261 - radiator and connections

Check

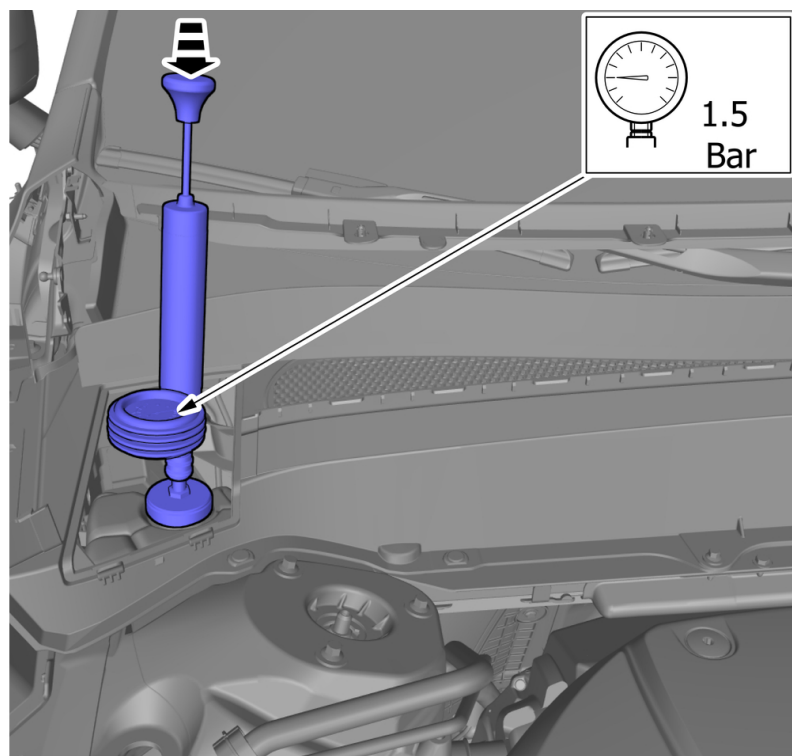


Special Tool: T9512955, Cover

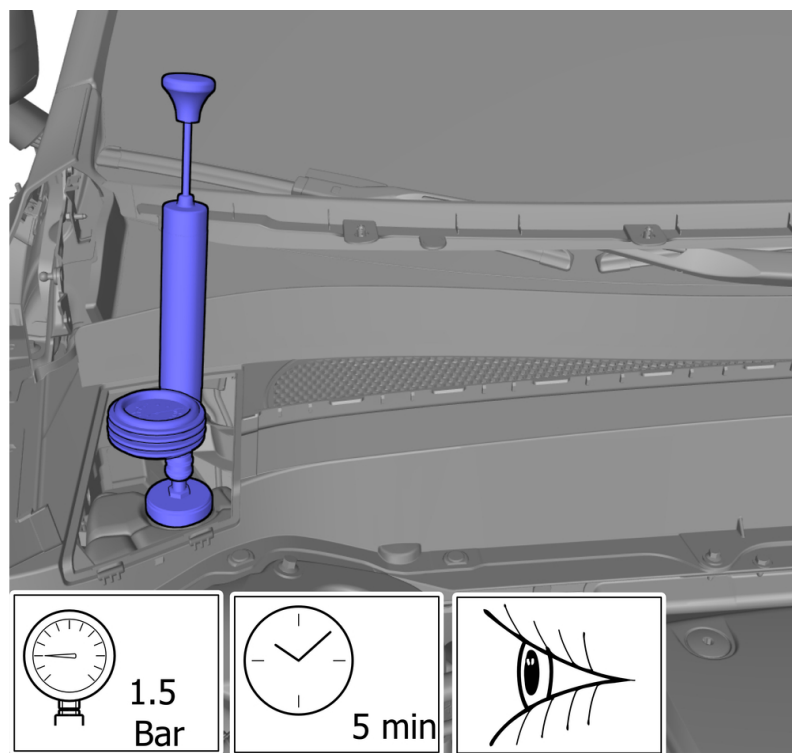


Special Tool: T9985496, ENGINE COOLANT SYSTEM - PRESSURE TESTER

Special Tool: T9512955, Cover



**Caution!** Make sure that the system pressure is within specification.



**Note!** Ensure not to undercut the time specified in the image.

Check the cooling system for leaks.