



Title: Hose Bed Cover Modification

Date: June 24, 2019

Vehicles: *KME Commercial and Custom Pumpers*

Problem: See Recall 19V267

Corrective Action: Retrofit Hose Bed Cover with Retention Bracket and Prop Bar

Work Instructions: See Attachment.

- Tools Required:**
- Common Hand Tools
 - Welder and Supplies
 - Personal Protective Equipment
 - Overhead Crane or Prop Capable of Holding Hose Bed Cover Up
 - Clamp or Vice and tape measure and marker.

KME Parts Required: Prop Bar Retrofit Kit

KME Contact: Jim Hauser, Technical Support Manager

Telephone: 570-656-0903

E-Mail: jhauser@kmeffire.com

Mailing Address KME Fire Apparatus
Plant #8
One Industrial Complex
Nesquehoning, PA 18240

ATTENTION: Mr. Jim Hauser

WORK INSTRUCTIONS

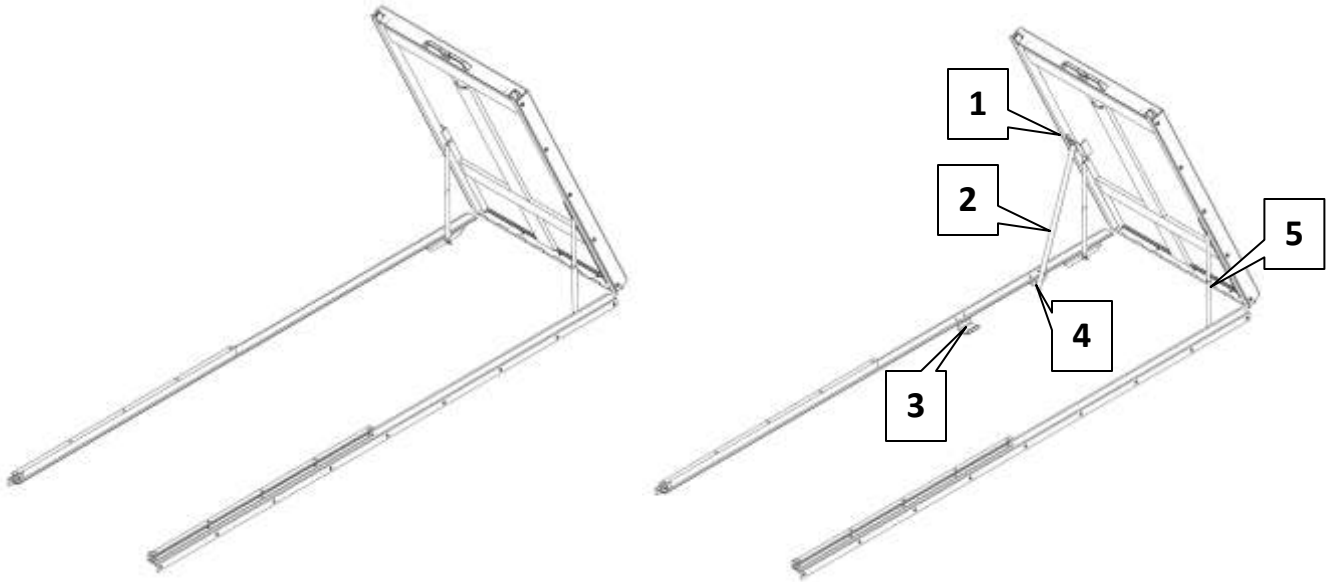


Figure 1 Before and After Modification

FIGURE 1 LEGEND		
1. Retention Bracket	3. Retaining Bracket	5. Shock
2. Prop Bar	4. Pivot Bracket	

NOTE: It is recommended that two personnel perform these work instructions

- Ensure the park brake is set and the wheels chocked.
- Proper personal protective equipment should be worn.
- If equipped, wear a safety harness before climbing onto the vehicle.
- Use the 3-point rule to climb up to the top of the body.
- Have one person on the ground to hand all tools and parts up to the hosebed.
- Secure an overhead crane to the hose bed lid handle or strap the lid. Slowly lift the hose bed lid approximately 80°s.
- If there is no overhead crane, use a prop that is secured to hold the lid up. A second person should be holding onto the cover to ensure it stays in place. The second personnel should be located on the officer side of the front hose bed.

NOTE: THESE INSTRUCTIONS ARE WRITTEN FOR THE LEFT SIDE OF THE HOSE BED. SOME DESIGNS MAY NOT HAVE ROOM TO ACCOMMODATE THE RETENTION BRACKET. THE RIGHT SIDE MAY HAVE TO BE USED.

WORK INSTRUCTIONS

CONTINUED

Remove/Replace Shocks

1. Ensure the hose bed cover is lifted and secured with a prop or by use of a crane and strap.
2. When the lid is secure, loosen the nut securing the top of the shock on the driver side of the vehicle.
3. Loosen the nut that is securing the bottom of the shock and remove shock.
4. Discard shock and hardware.
5. Install replacement shock. Insert the top of the shock's threaded stud into the top hole and tighten the nut.

Note: The top of the shock is the base that does not extend and retract.

6. Insert the bottom of the shock's threaded stud into the bottom hole and tighten the nut.
7. Repeat Steps 2 thru 6 for the opposite side.

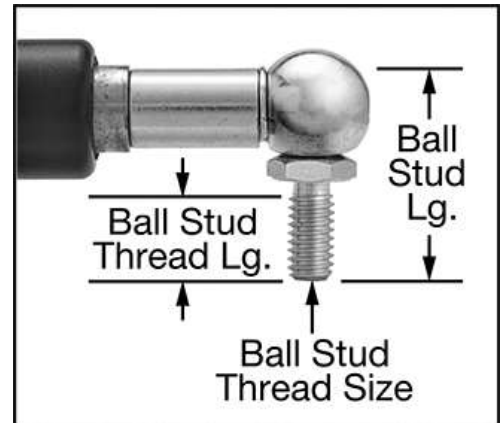


Figure 2 Shock Ball Stud

Measure for Retention Bracket and Prop Bar, Then Attach



Figure 3 Prop Bar and Retaining Bracket Mounted

8. On the driver's side hosebed wall, attach the prop bar to the center hole on the pivot bracket. Place the pivot bracket (right Side of Figure) approximately 8-inches from the bottom of the shock. Use a Vice(s) or clamp(s) to hold this in place. (This will free up your hands.)
9. Place the retention bracket about 1-inch from the top of the shock. Swing the prop bar up and into the retention bracket.
10. Assess the preliminary fitting. There is no exact measurement only approximates. If the prop bar does not meet the retention bracket, prop bar may have to be moved left or right or the retention bracket may have to be moved up or down. Keep adjusting until the prop bar can be inserted and seated inside the retention bracket.

WORK INSTRUCTIONS

CONTINUED

11. If this placement is correct, mark the area where the retention bracket will be welded.
12. Prep the hose bed cover for welding.
13. Ensure that the welding equipment is properly grounded before attaching the bracket to the hose bed cover.
14. When the bracket is attached and cooled, swing the prop bar up and inside the bracket. If the prop bar does not meet the bracket, the bar may have to be moved closer. If the lid has to be closed to meet the prop bar, the bar may have to be moved farther away.
15. Once the prop bar is in the correct place, mark where the holes will need to be drilled for the pivot bracket. Carefully, remove the metal shavings around the new holes and seal the paint before permanently attaching the pivot bracket. Sealing the holes will protect the paint finish.
16. Fasten the pivot bracket.
17. The prop bar will be attached but still needs the retaining bracket installed to the left side of it.
18. Place the retaining bracket approximately 8-inches to the left of the pivot bracket. If that looks good, mark the holes. If not, move the bracket left to right until the prop bar is properly balanced and secure.
19. Once the retaining bracket is in the correct place and the holes are marked, drill the holes for the bracket. Carefully, remove the metal shavings around the new holes and seal the paint before permanently attaching the retaining bracket. Sealing the holes will protect the paint finish.
20. Fasten the retaining bracket
21. Place the prop bar inside the retention bracket to see the finished project. If no more adjustments required, go to next step.



Figure 4 Prop Bar Shown Inside Retention Bracket



Figure 5 Prop Bar Bracket Showing Position Holes

WORK INSTRUCTIONS

CONTINUED

Adjust the Tension on the Shocks

22. Adjust the tension on the shocks.

CAUTION: The tension can be adjusted on the shocks by releasing the gas in very small increments.

WARNING: Once the gas is released, it cannot be replenished. This is why it is very important to release a small amount of gas, then testing the tension.

Both shocks will have to be adjusted. An allen wrench (hex key) comes with the shock. The hole is located on the side of the shock that extends and retracts.



Figure 6 Shock Adjustment



Figure 7 Retrofit Complete

Adjust the Tension on the Shocks

23. Install warning label on top of the hose bed lid. Wipe hose bed cover's surface clean before applying label.

NOTE: THERE ARE TWO LABELS THAT NEED TO BE ATTACHED TO THE VEHICLE. THE FIRST IS ON THE OUTSIDE (TOP) OF THE HOSE BED COVER LID. THE SECOND IS TO BE ATTACHED NEXT TO THE RETENTION BRACKET INSIDE THE HOSE BED COVER LID. SEE FIGURES.

WORK INSTRUCTIONS

CONTINUED



Figure 8 Warning Label



Figure 9 Label Attached on Top of Cover

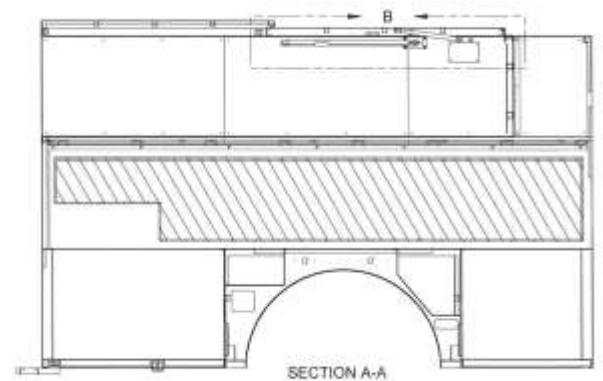
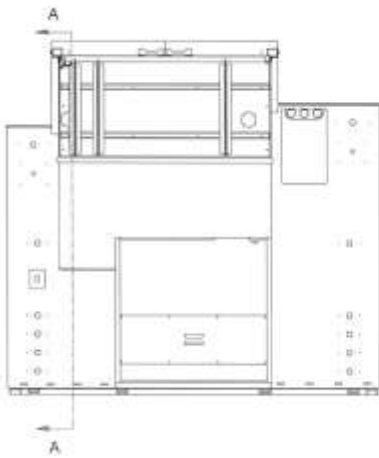
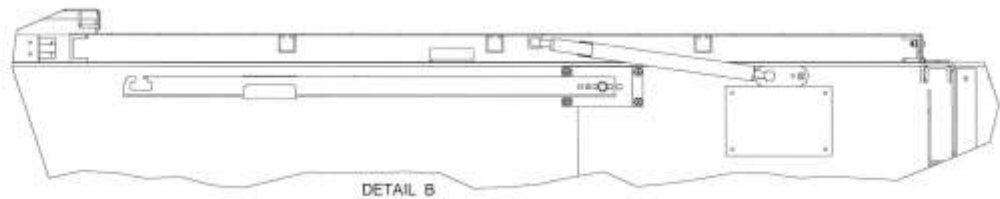
24. Install warning label next to the retention bracket inside the hose bed cover. Wipe inside the hose bed cover's surface clean before applying label.



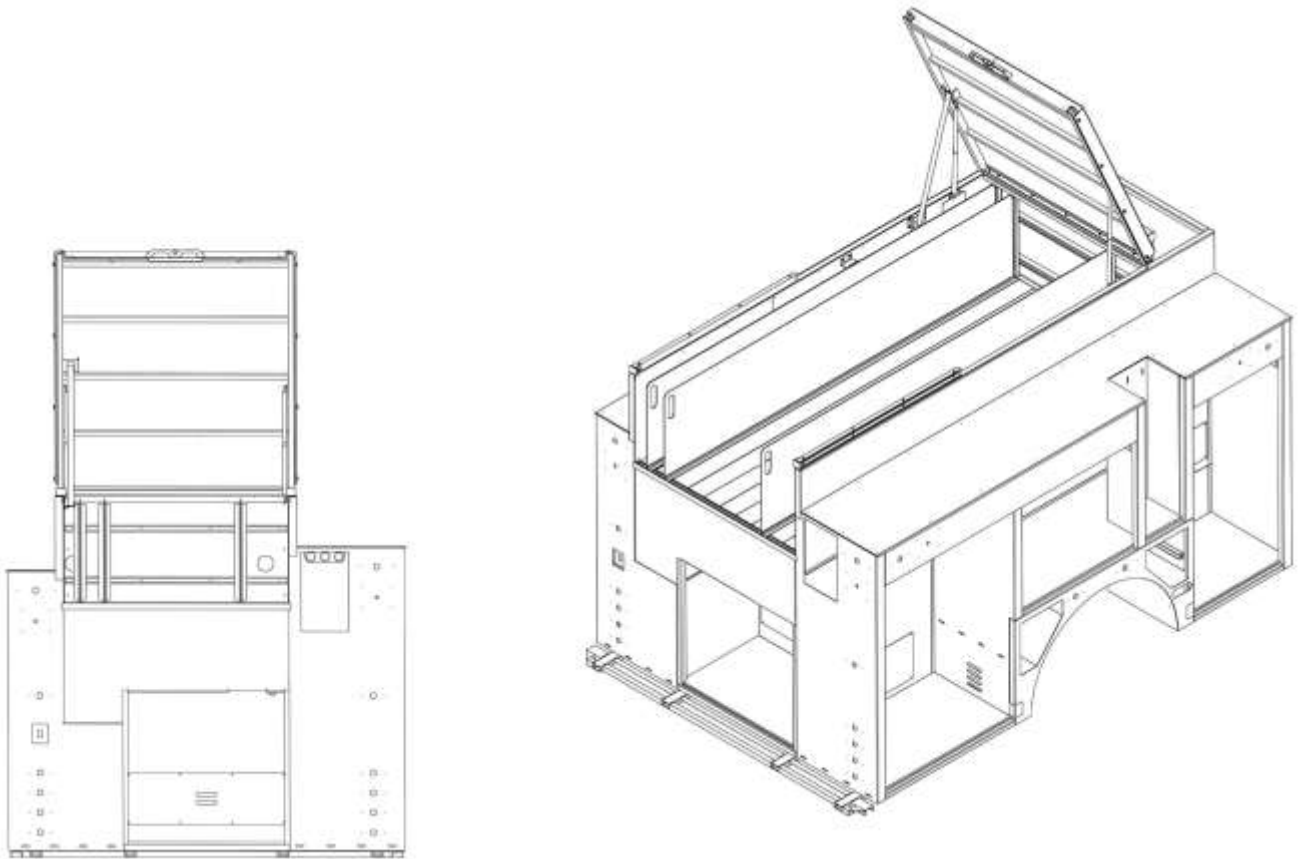
Figure 10 Label Attached Inside Cover

WORK INSTRUCTIONS
CONTINUED

WALL MOUNTED HOSE BED COVER RETROFIT

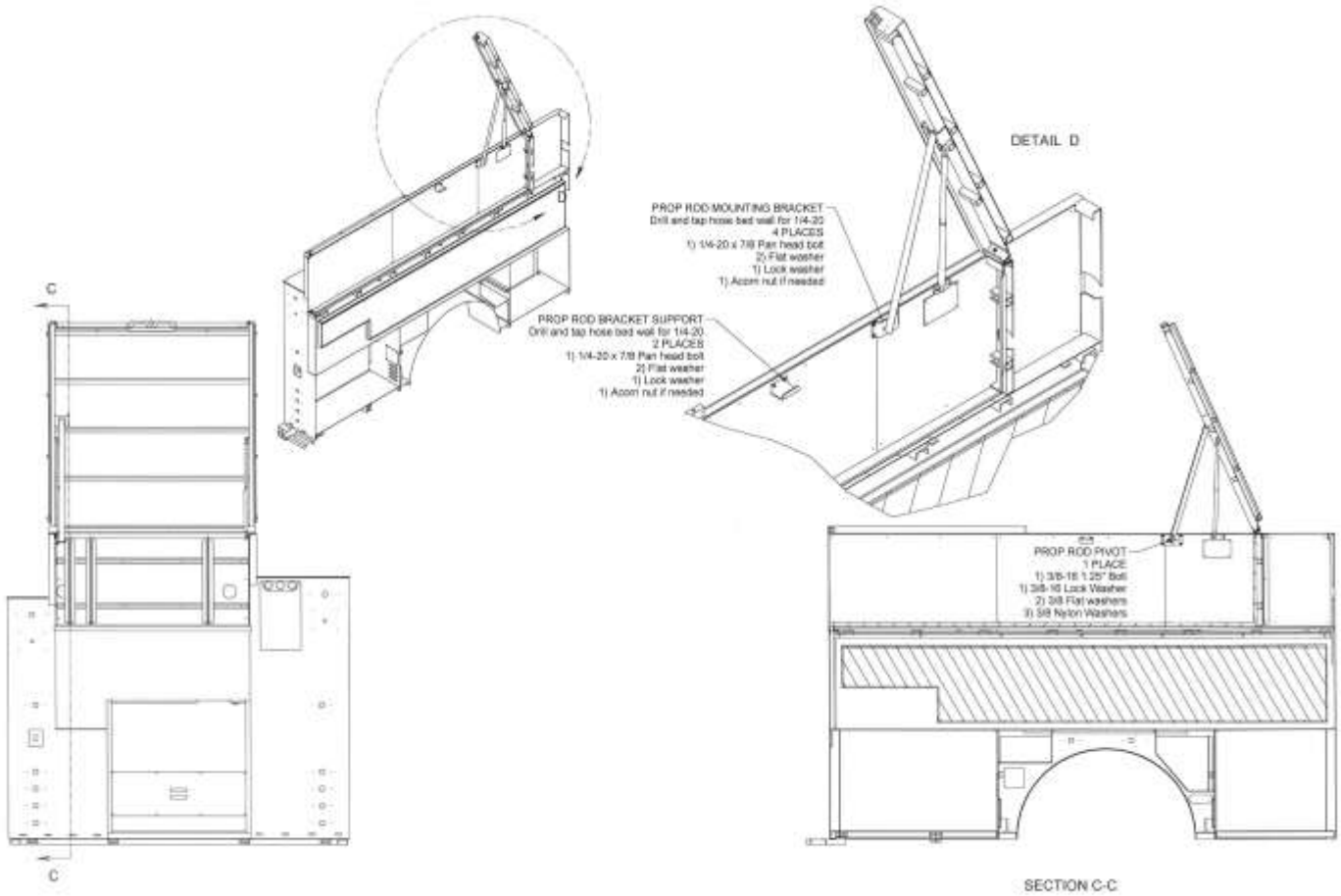


WORK INSTRUCTIONS
CONTINUED

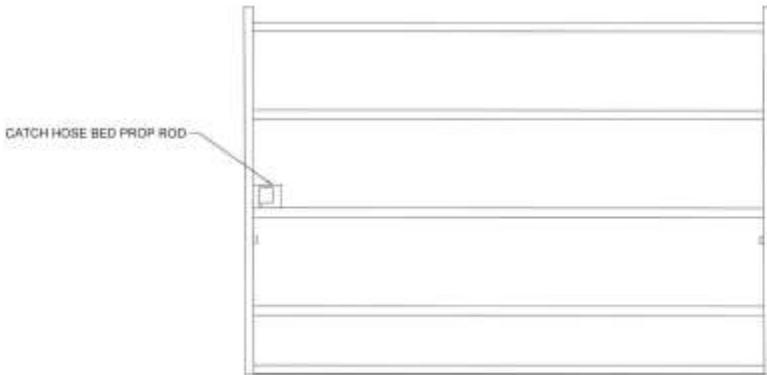


WORK INSTRUCTIONS

CONTINUED



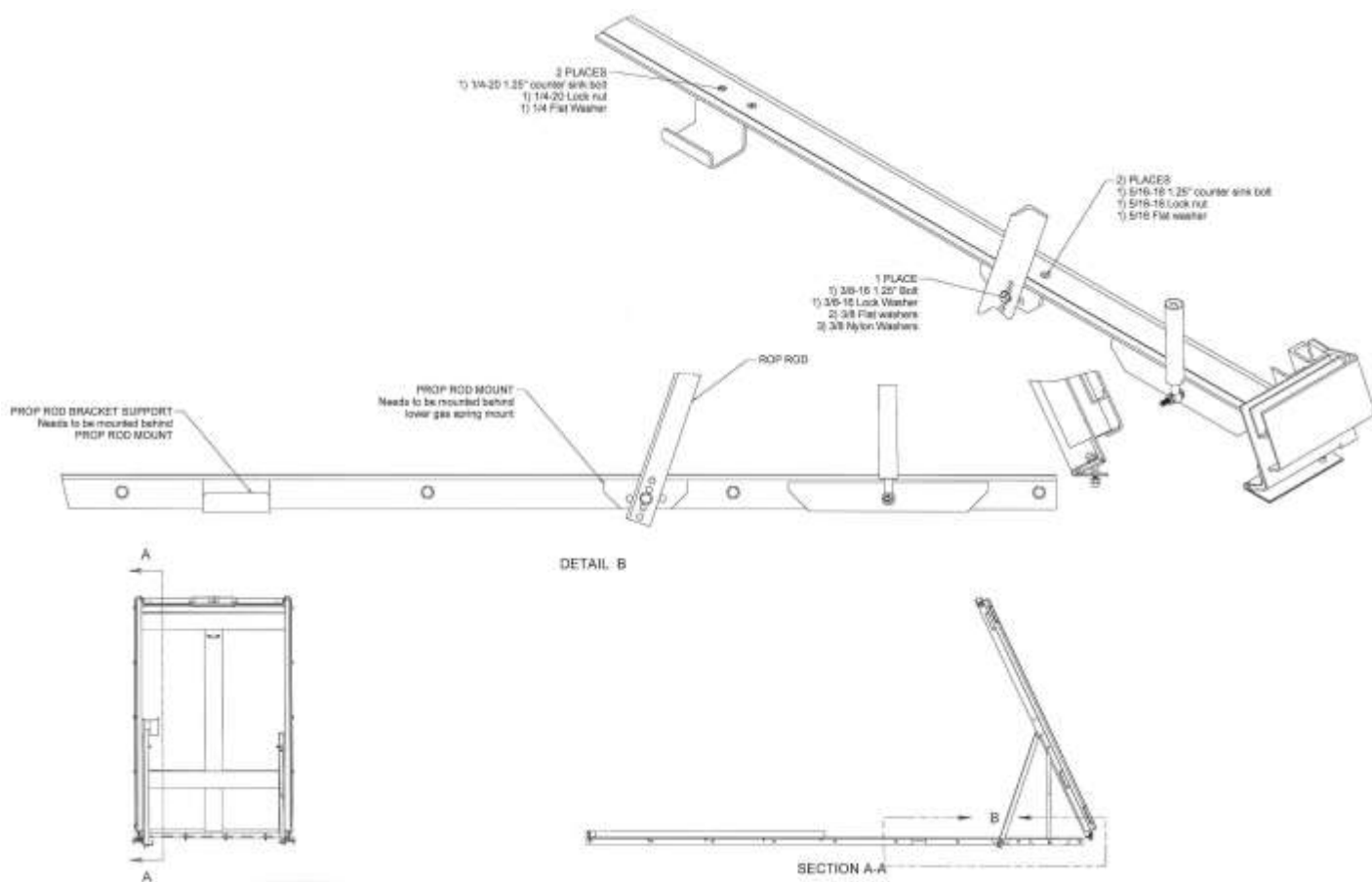
WORK INSTRUCTIONS
CONTINUED



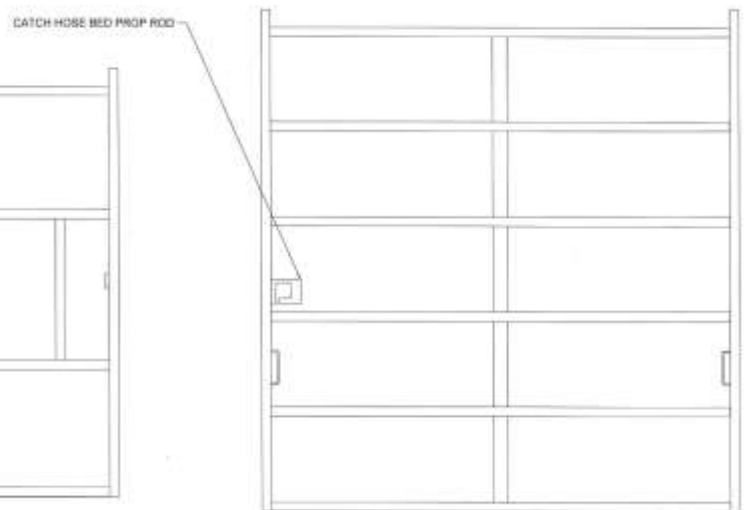
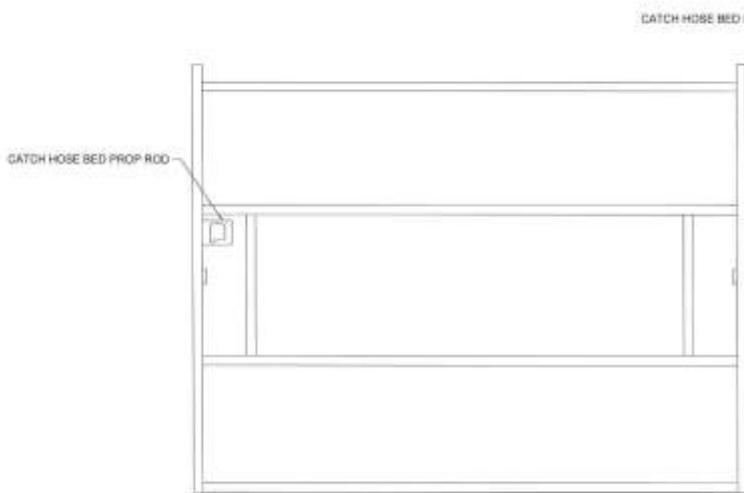
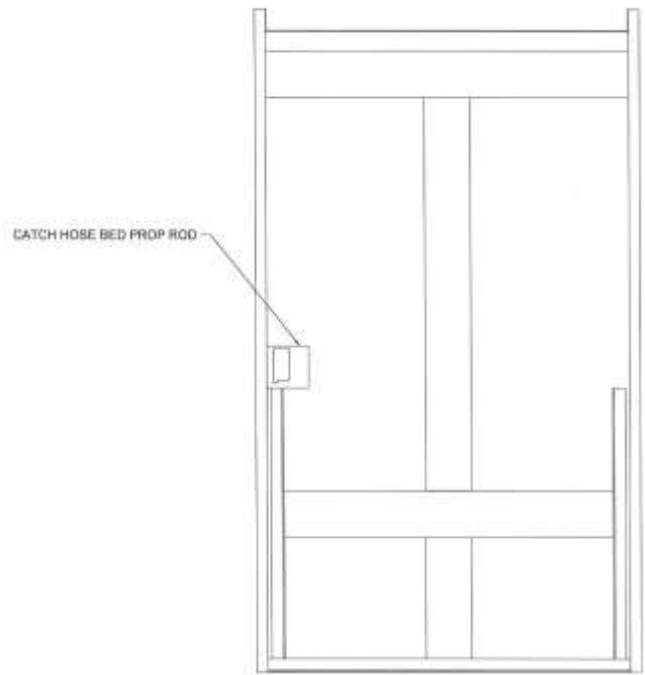
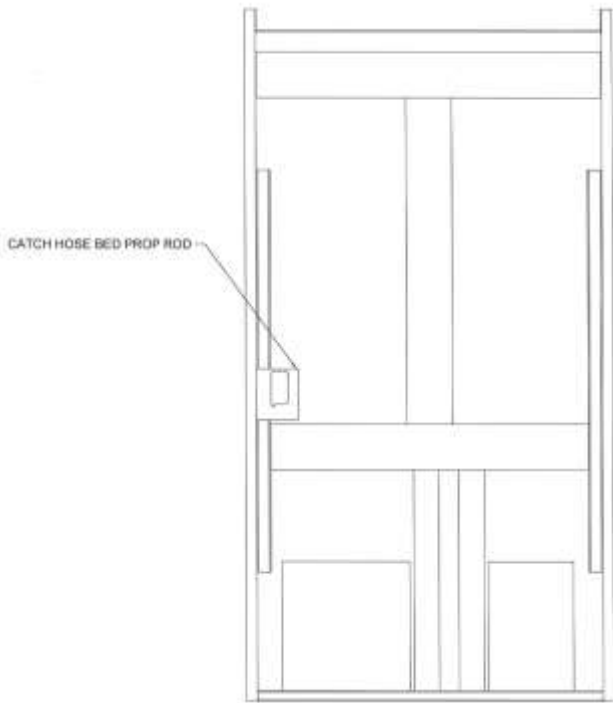
WORK INSTRUCTIONS

CONTINUED

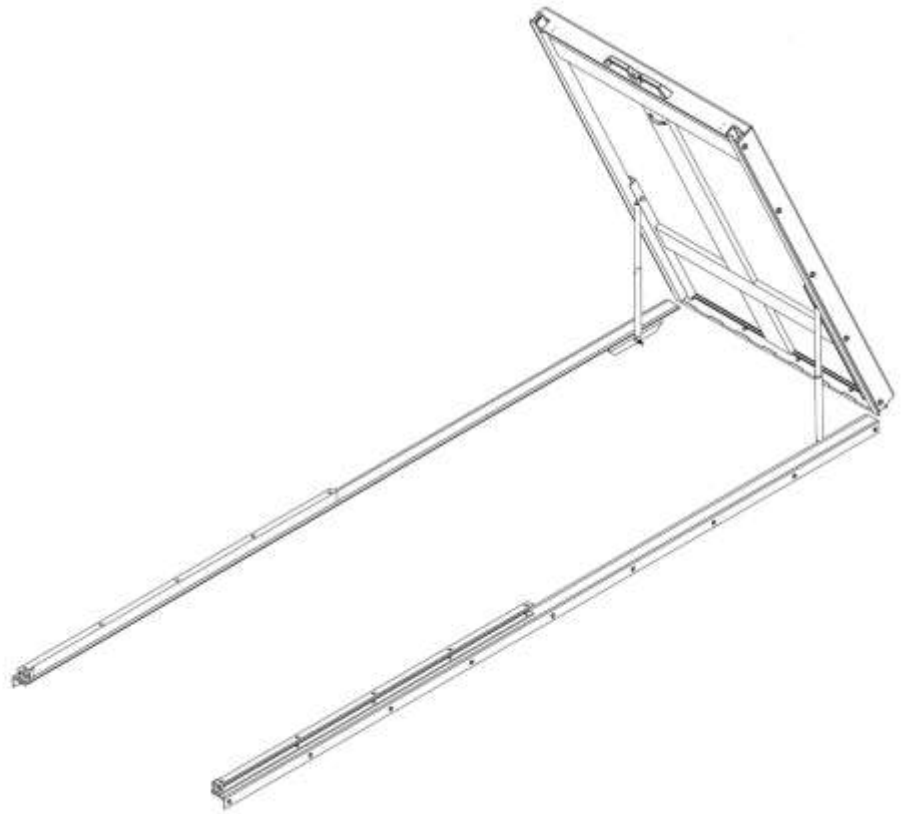
ANGLE MOUNTED HOSE BED COVER RETROFIT



WORK INSTRUCTIONS
CONTINUED



WORK INSTRUCTIONS
CONTINUED



WORK INSTRUCTIONS
CONTINUED

