



# SAFETY RECALL 19V-157

## Replace Front Brake Hose

**C 600 Sport (K18)**  
**C 650 Sport (K18/11)**  
**C 650 GT (K19)**  
**C 650 GT (K19/11)**

Leadership circle

---

Marketing

---

Sale  
New motorcycles

---

Sale  
Used motorcycles

---

Aftersales

---

Administration

---

**Service Information No. SI 34 002 19**

# Service Information No. SI 34 002 19 Recall 19V-157

## Replace Front Brake Hose

### Details

Over the course of quality monitoring, BMW Motorrad has determined that the front brake hose may be damaged over time. This may result in leaks from the brake hose. This can also apply to vehicles in which the front brake hose had already been replaced as part of Recall 15V-738.

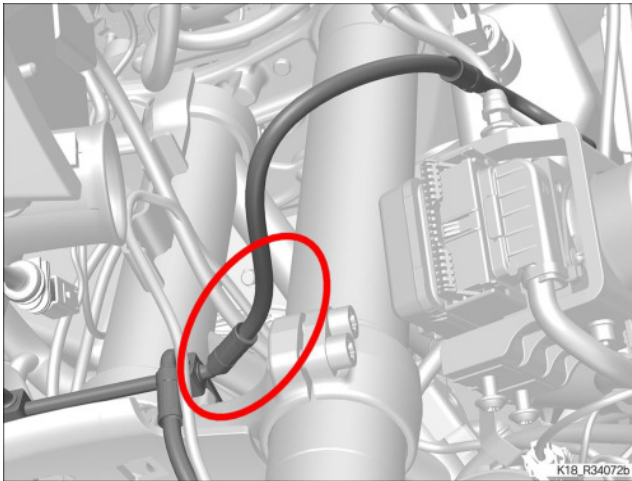


Figure 1: front brake hose

- Build level 1: series status K18 and K19 before performing Recall 15V-738

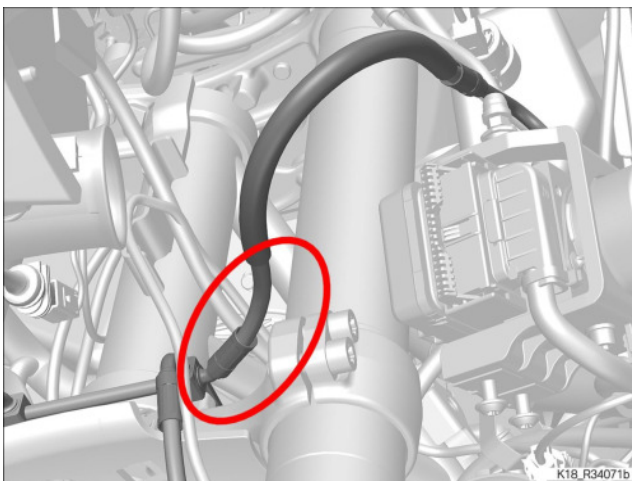


Figure 2: front brake hose

- Build level 2: series status K18/11 and K19/11 until 23 August 2018, build level K18 and K19 after completing Recall 15V-738

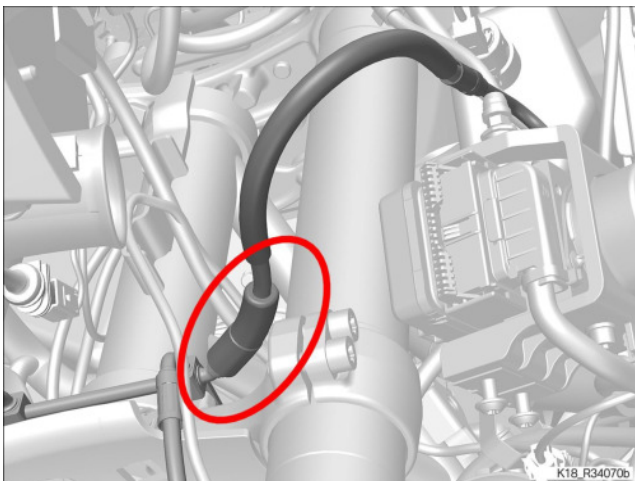


Figure 3: front brake hose

- Build level 3: optimized series status as of 24 August 2018, build level after completing Recall 19V-157

# Service Information No. SI 34 002 19 Recall 19V-157

## Replace Front Brake Hose

### Vehicles affected

In order to determine if a specific vehicle is affected by this Technical Campaign, it will be necessary to verify all VIN's **through AIR** (Aftersales Information Research). Based on the response of the system, either proceed with the repair or take no further action. Please note, VIN's in DCS Vehicle History Check may not appear until 24-72 hours after the release of this bulletin, therefore AIR is the recommended method for determining open campaigns.

### NHTSA Statement

Please be reminded that it is a violation of federal law (The Safety Act) for you to sell, lease or deliver any new motorcycle covered by this notification until the recall repair has been performed. This means that dealers may not legally deliver new motorcycles to consumers until they are fixed or use/sell replacement equipment/parts subject to this recall. Note also that substantial civil penalties apply to violations of the Safety Act.

Also, you should not sell, lease or deliver any Certified Pre-Owned or used motorcycles subject to a safety recall until the repair is completed.

Please follow any special instructions that we provide to you for the return or disposition of recall parts.

### Delivery stop

This Recall replaces delivery **STOP340002**.

### Production Solution

As of **August 24 2018**, the optimized status "Front brake hose" (Figure 3) has been installed.

### Service Solution

Replace the brake hose as described in accordance with repair instruction 00 60 314 Replacing brake line, Front, from pressure modulator.

The accompanying repair instruction applies by analogy for the other models affected.

### Warranty processing

The repair described in this bulletin is covered under warranty regardless of time or mileage.

Reimbursement for this Recall Campaign is through normal claim entry utilizing the following information:

### Defect code

00 00 34 81 00	Renewing front brake hose
----------------	---------------------------

### FRU number

*00 60 314	Replacing brake line, front, from pressure modulator, 8 FRU's
------------	---

\*Main Work: These main labor operations include all repair procedures to complete the task with allowance for necessary ancillary tasks (e.g. visual inspection, lubrication, cleaning parts etc.) and administrative tasks. Only one main labor operation can be claimed per repair visit. All other labor operations for any other line(s) must be claimed using plus code labor operations. Please refer to the Warranty Policy and Procedures Manual regarding add-ons, proper support, documentation, claims submission and archiving requirements as applicable.

### Part numbers

34 32 9 457 570	1x Brake hose, front brake circuit
07 11 9 963 072	6x Sealing ring
--- -- --	250 ml Brake Fluid (sublet code 4)

**Note:** Brake hose, front brake circuit 9457570 is not currently available. Further information will follow when it's available.

### Questions regarding this bulletin?

For technical inquires in relation to this bulletin	Please contact the PuMA team
For warranty inquires in relation to this bulletin.	Submit an IDS ticket to the Warranty Department
For parts inquires in relation to this bulletin	Submit an IDS ticket to the Motorrad Parts Department

# Service Information No. SI 34 002 19 Recall 19V-157

## Replace Front Brake Hose

### TREAD ACT CUSTOMER REIMBURSEMENT PLAN

(BMW of North America, LLC)

If you have paid for the repair described in the attached letter, and you would like your expenses to be considered for reimbursement, please contact your authorized BMW Motorcycle dealer. Expenses paid to repair facilities outside of the BMW Motorcycle dealer network will be considered; however, the repair procedure must meet BMW standards.

Your authorized BMW Motorcycle dealer will request a copy of your owner notification letter, as well as, your previously paid invoice. They will then inspect your motorcycle (if it is still in your possession) prior to submitting a claim on your behalf to BMW of North America, LLC for reimbursement.

Please note the following:

- Only a repair that is the subject of this safety recall is reimbursable. Consequential expenses such as towing, rental, accommodations, damage repairs, etc. will not be reimbursed.
- The Manufacturer's Suggested Retail Price (MSRP) for BMW Genuine Parts will be considered as the guideline for reasonable part charges.
- Repair labor, taxes and hazardous waste disposal, when previously paid, are eligible for reimbursement.
- Expenses for repairs performed more than 10 days after the date of the last owner notification sent by BMW are not eligible for reimbursement.

Your authorized BMW Motorcycle dealer should be able to answer any questions that you may have regarding your qualifications for reimbursement of a previous repair. If you qualify for such a reimbursement, your BMW Motorcycle dealer will also be able to advise you of the manner in which you can expect to receive reimbursement.

Your authorized BMW Motorcycle dealer should be your primary contact on this issue; however, our Customer Relations and Services Department may be contacted at 1-800-525-7417 for any special assistance that you may require. In special situations where your authorized BMW Motorcycle dealer cannot be of assistance, you may submit your written request for reimbursement to:

Customer Relations and Services Department  
BMW of North America, LLC  
P.O. Box 1227  
Westwood, NJ 07675-1227

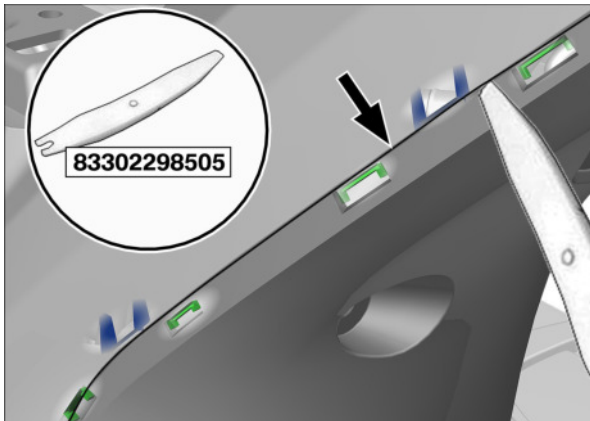
If you intend to submit a request for reimbursement to our Customer Relations and Services department, your motorcycle (if it is still in your possession and was repaired at a facility outside of the BMW Motorcycle dealer network) will need to be inspected at an authorized BMW Motorcycle dealer before a claim can be accepted for consideration. This is to ensure that prior repairs at an outside facility meet BMW standards for recall completion.

# Service Information No. SI 34 002 19 Recall 19V-157

## Replace Front Brake Hose

00 60 314 Replacing brake line, front, from pressure modulator

1



### Removing handlebar trim

#### General note on disengaging/removing trim panel components

#### **ATTENTION**

#### Scratches and damage to trim panel components

Component damage

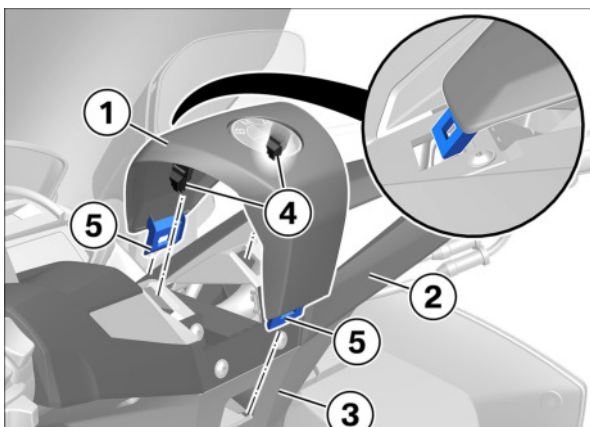
- Do not use sharp-edged or hard tools.
- Use tools made of plastic, for example.
- Slip plastic wedge into the gap (**arrow**) between the trim panels and slide it down the full length of the gap, carefully disengaging all the retainers in succession.

#### Workshop equipment

Order No.: 83 30 2 298 505

Plastic wedge

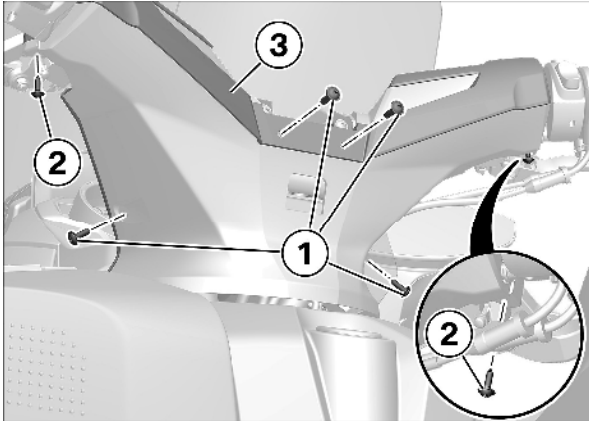
- Remove handlebar trim center section (**1**) from top handlebar cover (**2**) and bottom handlebar cover (**3**), noting mounting clips (**4**) and locator (**5**).



# Service Information No. SI 34 002 19 Recall 19V-157

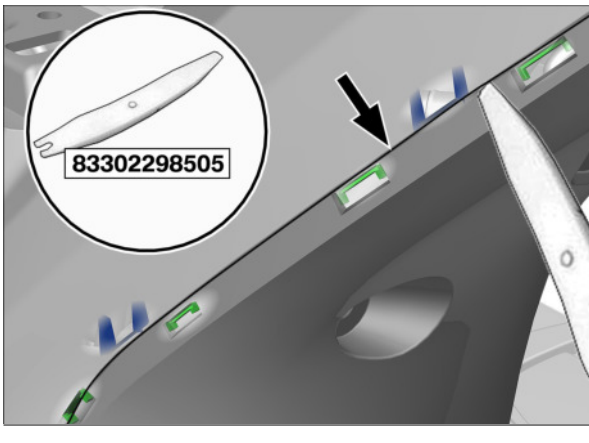
## Replace Front Brake Hose

2



### Removing top handlebar cover

- Remove screws (1) and (2) for top handlebar cover (3).



### General note on disengaging/removing trim panel components

#### ATTENTION

#### Scratches and damage to trim panel components

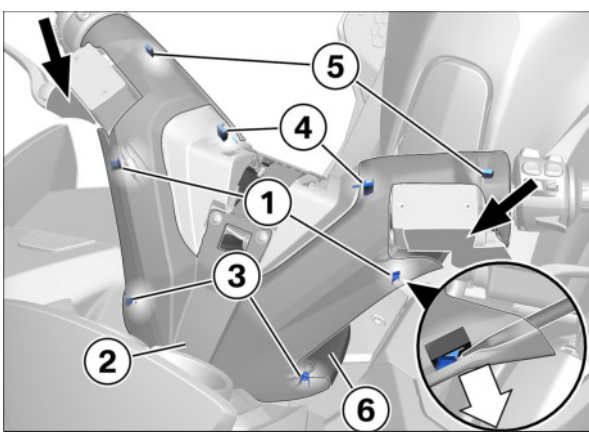
Component damage

- Do not use sharp-edged or hard tools.
- Use tools made of plastic, for example.
- Slip plastic wedge into the gap (arrow) between the trim panels and slide it down the full length of the gap, carefully disengaging all the retainers in succession.

#### Workshop equipment

Order No.: 83 30 2 298 505

Plastic wedge

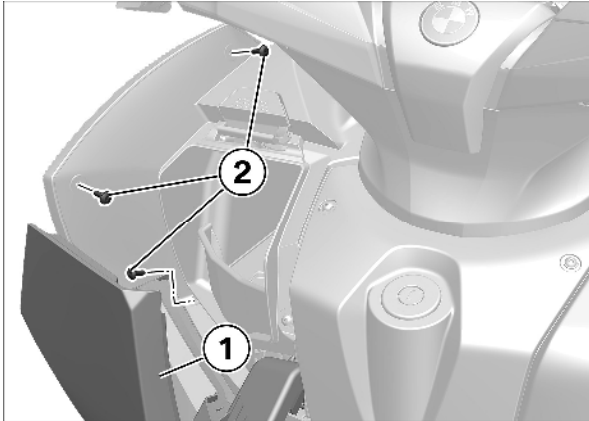


- Protect the front of the handlebar fittings (arrows) against scratches.
- Using a suitable tool, unclip lugs (1) and ease top handlebar cover (2) forward (arrows).
- Unclip the lugs in the sequence (3), (4) and (5).
- Remove handlebar cover (2) from handlebar cover (6).

# Service Information No. SI 34 002 19 Recall 19V-157

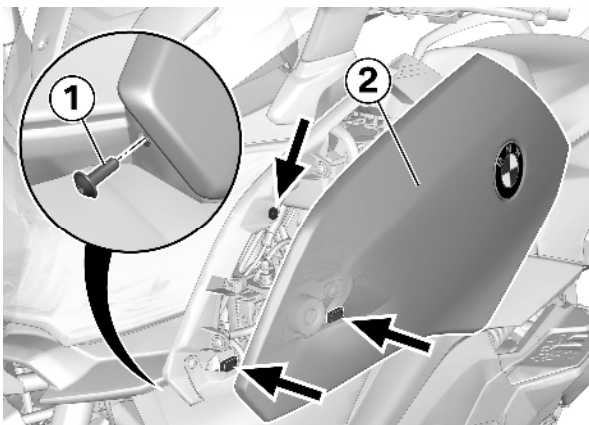
## Replace Front Brake Hose

### 3



#### Removing top left fairing side panel

- Open stowage-compartment lid **(1)**.
- Remove screws **(2)**.



- Remove screw **(1)**.
- Remove top side panel **(2)**, noting the locators **(arrows)**.

### 4

#### Drain the front brake system

##### **ATTENTION**

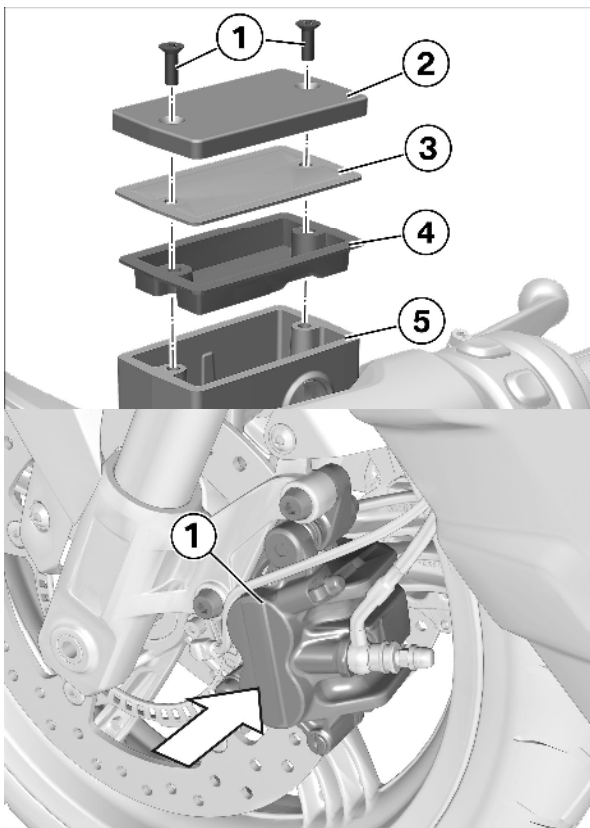
#### Brake fluid on painted surfaces, plastic and rubber components

Material damage

- Do not allow brake fluid to come into contact with painted surfaces, plastic or rubber components.
- Wash components immediately with clear water if required.

# Service Information No. SI 34 002 19 Recall 19V-157

## Replace Front Brake Hose



- Remove screws **(1)**, lid **(2)**, support plate **(3)**, and diaphragm **(4)**.

### ATTENTION

#### Cleaning of reservoir not in compliance with correct procedure

Damage to cover plate of fluid replenishing bore

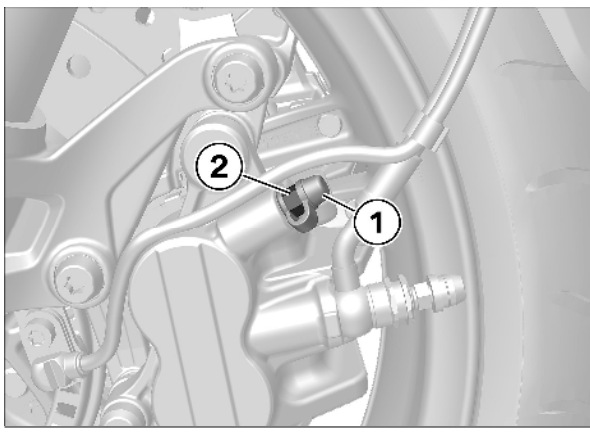
- Do not damage the cover plate when cleaning the reservoir.

- Draw off the old fluid and clean reservoir **(5)**.

- Push back brake caliper **(1)** by hand.

❖ The brake pistons are pushed back.

- Draw off the excess brake fluid that was forced back into the reservoir.




- Remove cap **(1)** and connect the brake bleeding device to bleed screw **(2)**.

- Draw off the brake fluid.

### NOTICE

Drain the brake system only to the extent necessary for the tasks in question to be performed.

- Close bleed screw **(2)** and remove the brake bleeding device.

 Tightening torques		
Bleed screw in filling banjo bolt/brake caliper, right		
in filling banjo bolt, M8	10 Nm	
in brake caliper, right	6 Nm	

- Secure cap **(1)**.

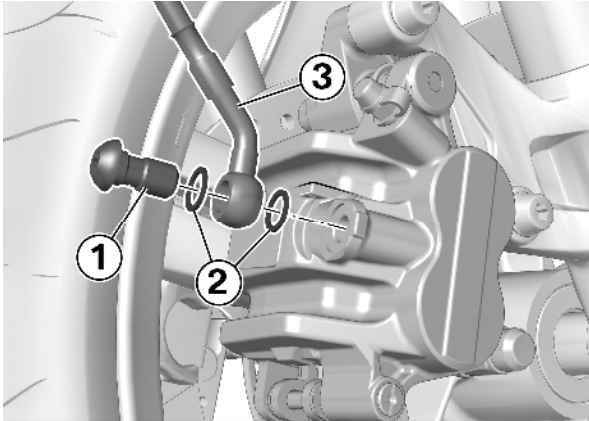
- If applicable, repeat this procedure with the second brake caliper.



# Service Information No. SI 34 002 19 Recall 19V-157

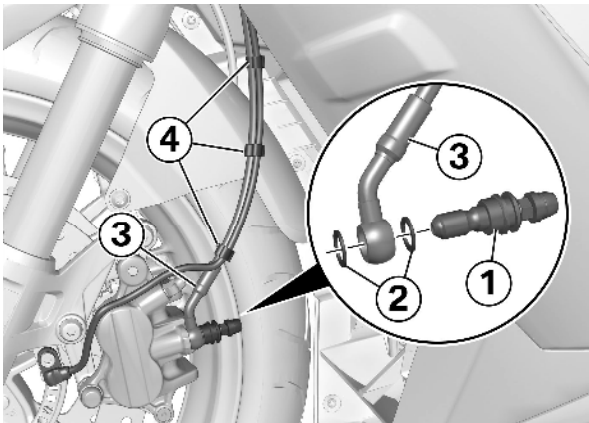
## Replace Front Brake Hose

5

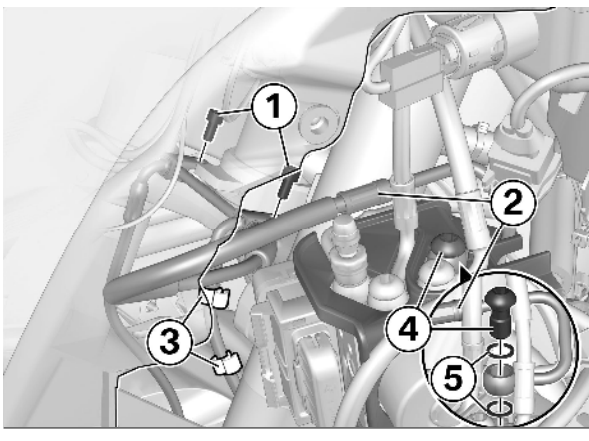


### Removing front brake line from pressure modulator

- Remove banjo bolt (1) with sealing rings (2) and collect the escaping fluid in a suitable container.
- Seal brake line (3) with a paper towel.



- Remove filling banjo bolt (1) with sealing rings (2) and catch the escaping residual fluid.
- Seal brake line (3) with paper towel and disengage it from double clips (4).



- Remove screws (1) from the top.

### NOTICE

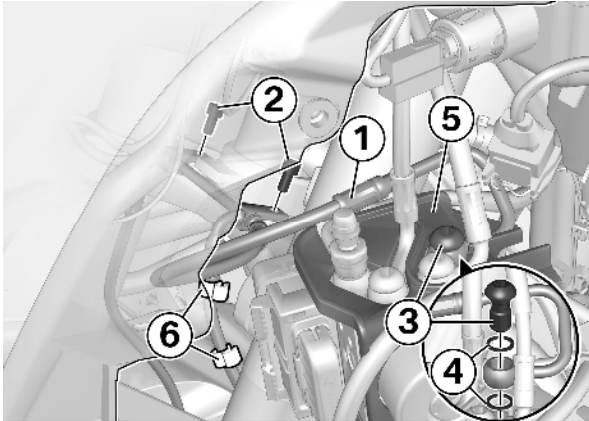
For removal and installation, access to the fastener for the brake line to the fork bridge is from above, through the handlebar opening in the fairing.

- Disengage brake line (2) from double clip (3).
- Remove banjo bolt (4) with sealing rings (5) and collect the escaping fluid in a suitable container.
- Feed out brake line (2).

# Service Information No. SI 34 002 19 Recall 19V-157

## Replace Front Brake Hose

### 6



#### Install the front brake line from pressure modulator

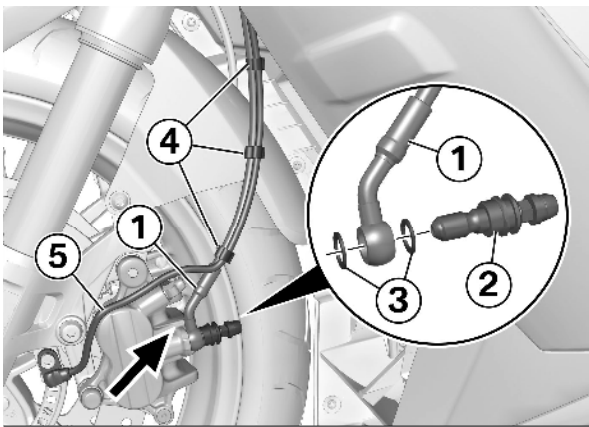
- Insert brake line (1) and secure with screws (2).

Tightening torques		
Brake line to bottom fork bridge		
M6 x 12	8 Nm	

- Install banjo bolt (3) with **new** sealing rings (4) making sure that line routing in holder (5) is correct.

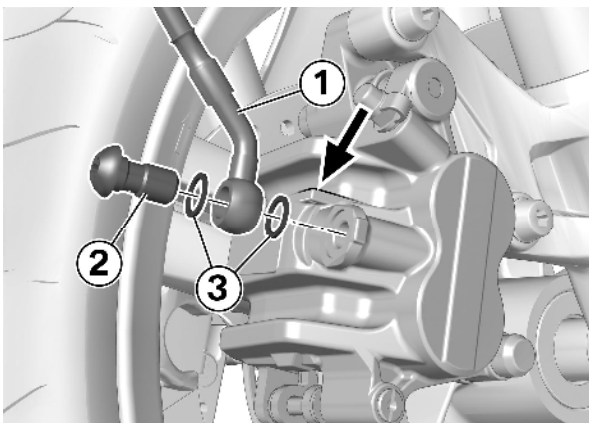
Tightening torques		
Brake hose with banjo bolt to components		
M10 x 1	24 Nm	

- Secure brake line (1) in double clip (6).
- Secure brake line (1) with filling banjo bolt (2) and **new** sealing rings (3) using stop (arrow) for alignment.



Tightening torques		
Brake hose with banjo bolt to components		
M10 x 1	24 Nm	

- Secure brake line (1) in double clips (4) on sensor line (5).



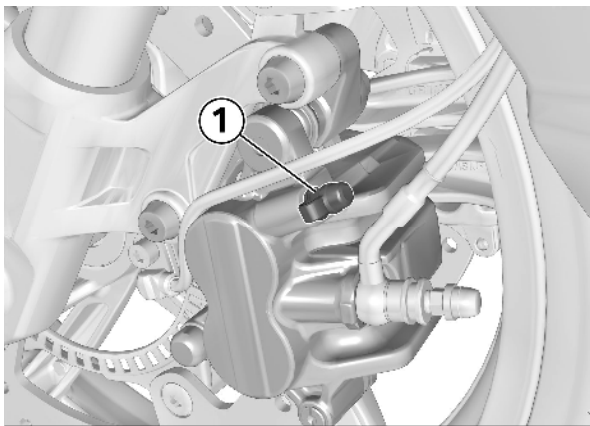
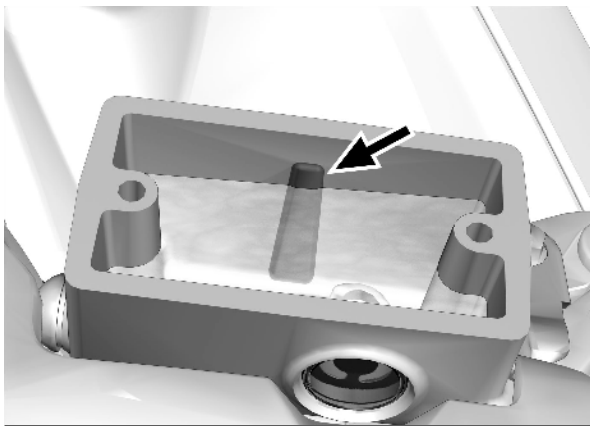
- Secure brake line (1) with banjo bolt (2) and **new** sealing rings (3) using stop (arrow) for alignment.

Tightening torques		
Brake hose with banjo bolt to components		
M10 x 1	24 Nm	

# Service Information No. SI 34 002 19 Recall 19V-157

## Replace Front Brake Hose

7



### Filling and bleeding front brake system

#### **⚠ WARNING**

##### Diminished braking effect

Ingress of air into brake system

- The outlet hole must always be covered with brake fluid, top up brake fluid if required.


- Set the brake lever to maximum span.
- Turn the handlebars to a position in which the brake fluid reservoir is horizontal.

#### **⚠ WARNING**

**Water ingress in the brake fluid due to air humidity** Decrease in the boiling point, formation of vapor bubbles reduces the effectiveness of the brakes.

- Use only fresh brake fluid from an unopened container.

- Top up with fresh brake fluid to the MAX mark (**arrow**).

 Hydraulic fluid	
Brake fluid, DOT4	

- Connect bleeder unit to bleeder screw **(1)**.
- Slightly open the bleeder screw **(1)**.


#### **⚠ WARNING**

##### Air bubbles difficult to recognize in brake fluid drawn off by vacuum extraction

Braking power is reduced due to insufficient brake system bleeding.

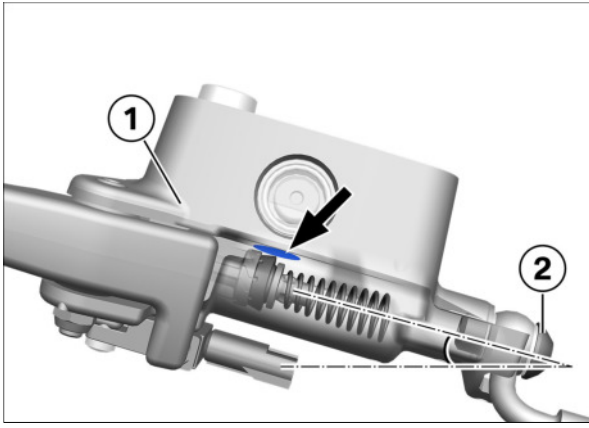
- In the final step, bleed the system manually (without vacuum extraction) until the fluid emerging is bubble-free.

- Continue bleeding the brake system until fresh brake fluid emerges
- Close the bleeder screw **(1)**.

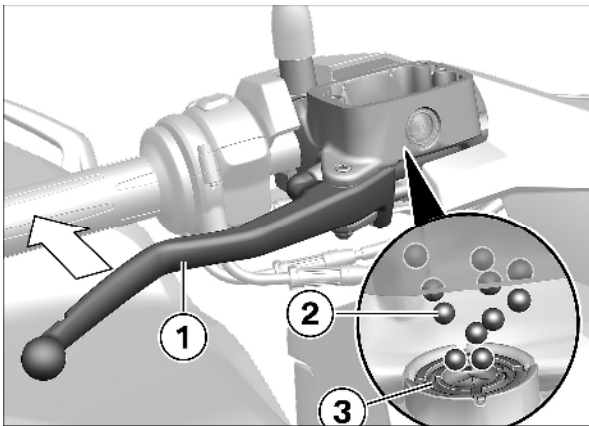
 Tightening torques		
Bleed screw in filling banjo bolt/brake caliper, right		
in filling banjo bolt, M8	10 Nm	
in brake caliper, right	6 Nm	

# Service Information No. SI 34 002 19 Recall 19V-157

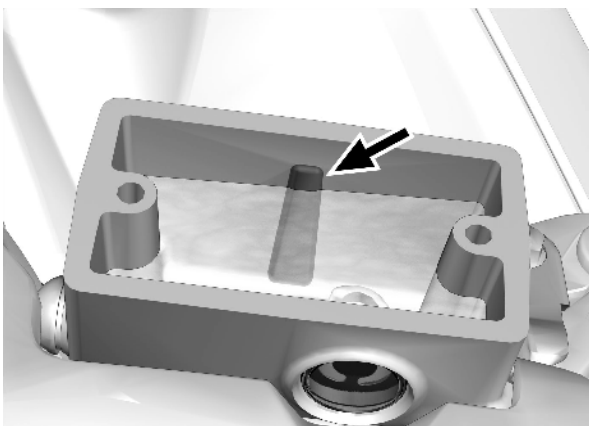
## Replace Front Brake Hose




- Position the handlebars with handbrake fitting **(1)** in such a way that air can rise through the outlet hole **(arrow)**: banjo bolt **(2)** points upwards.



- Vent the brake system by several small strokes on brake lever **(1)**.
- ❖ Air bubbles **(2)** cease to escape from base valve **(3)**.

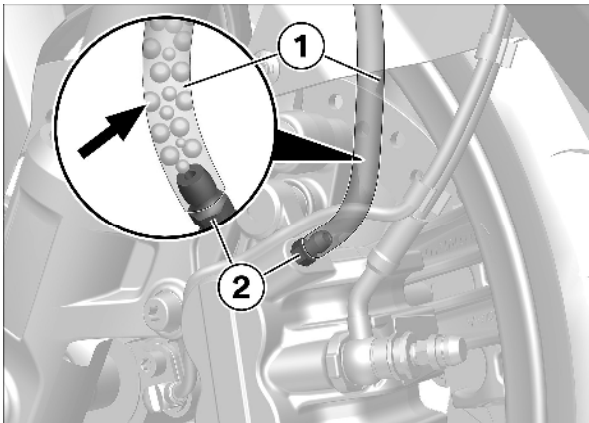


- Turn the handlebars to a position in which the brake fluid reservoir is horizontal.
- Top up with fresh brake fluid to the MAX mark **(arrow)**.

 Hydraulic fluid	
Brake fluid, DOT4	

# Service Information No. SI 34 002 19 Recall 19V-157

## Replace Front Brake Hose




- Operate brake lever several times until a pressure point can be felt.
- Connect vent hose **(1)** to bleeder screw **(2)**.
- Route vent hose **(1)** up.
- ❖ Rising air bubbles can be observed in a better way.
- Operate brake lever and open bleeder screw **(2)**.

### NOTICE

Always open bleeder screw wide and pull through lever wide in order to increase the flow rate of the brake fluid.

- Repeat the process until **no air bubbles (arrow)** escape.
- Tighten bleeder screw **(2)**.

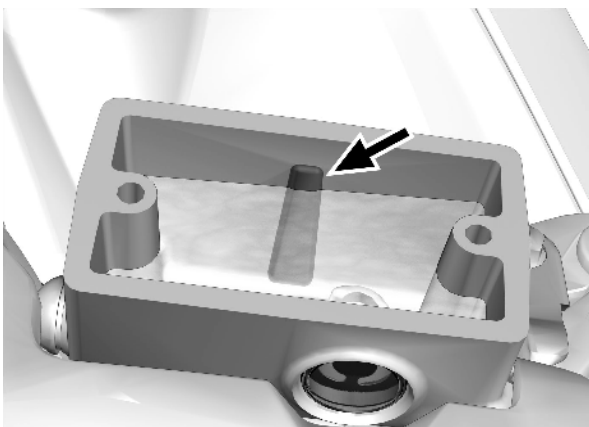
 Tightening torques		
Bleed screw in filling banjo bolt/brake caliper, right		
in filling banjo bolt, M8	10 Nm	
in brake caliper, right	6 Nm	


- Repeat the fluid-change procedure/procedure for bleeding the brakes at the right brake caliper.
- Operate the brake lever to seat the brake pistons.
- Turn the handlebars to a position in which the brake fluid reservoir is horizontal.

### WARNING

**Water ingress in the brake fluid due to air humidity** Decrease in the boiling point, formation of vapor bubbles reduces the effectiveness of the brakes.

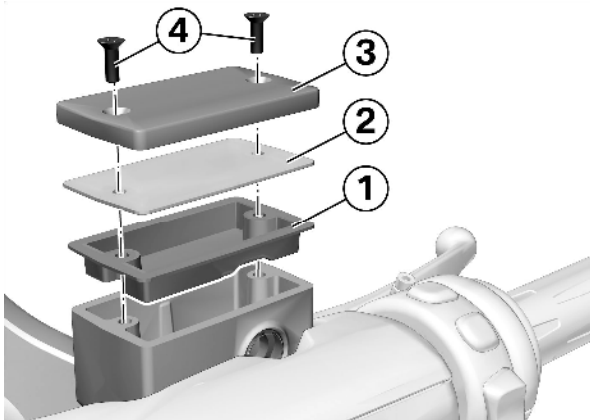
- Use only fresh brake fluid from an unopened container.
- Top up with fresh brake fluid to the MAX mark **(arrow)**.



 Hydraulic fluid	
Brake fluid, DOT4	

# Service Information No. SI 34 002 19 Recall 19V-157

## Replace Front Brake Hose



- Install gaiter (1) and support plate (2).
- Place lid (3) in position and install screws (4).

### Check

- Check brake pressure by operating the brakes.

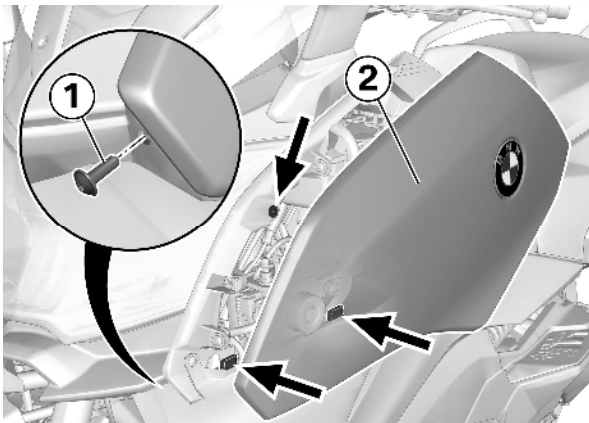
### Result

Low brake pressure

### Measure

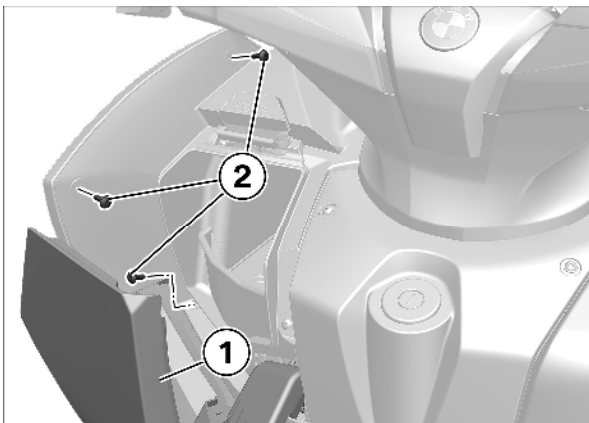
- Repeat the bleeding process without vacuum extraction.

8



### Installing top left side panel

- Hold top side panel (2) in position, noting the locator (arrows).
- Install screw (1).

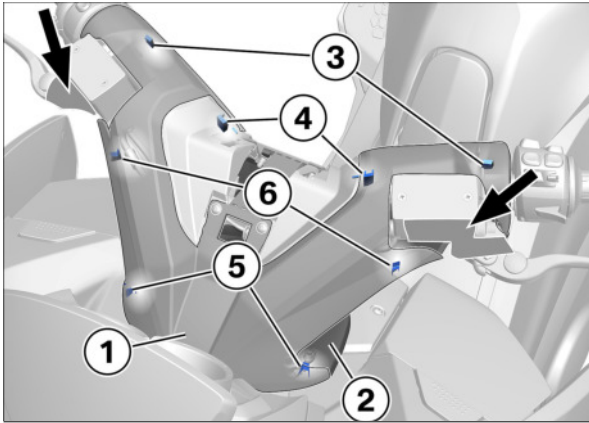


- Install screws (2).
- Close stowage-compartment lid (1).

# Service Information No. SI 34 002 19 Recall 19V-157

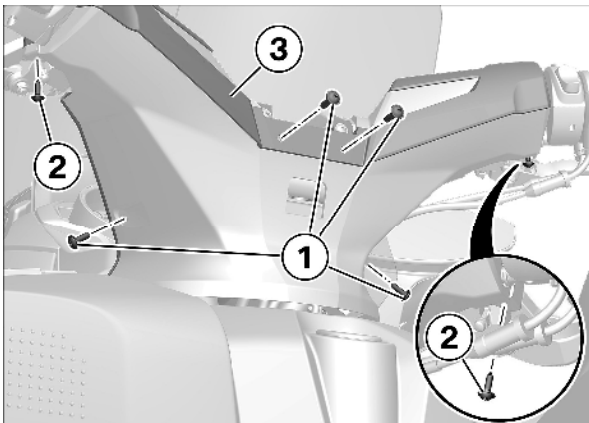
## Replace Front Brake Hose

9



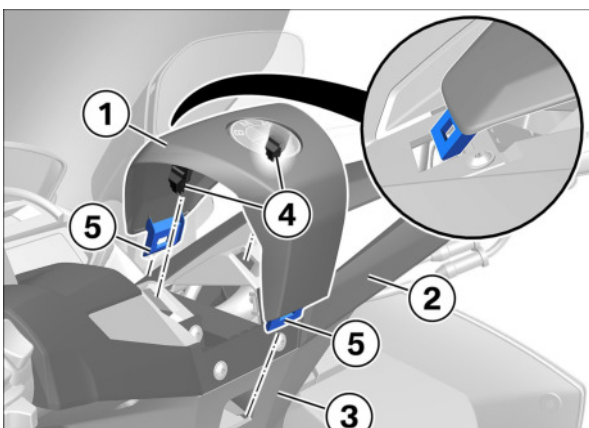
### Installing top handlebar cover

- Position top handlebar cover **(1)** on bottom handlebar cover **(2)**.
- Engage the lugs in the sequence **(3)**, **(4)**, **(5)** and **(6)**.
- Remove masking tape applied beforehand to prevent scratching of front of handlebar fittings **(arrows)**.



- Install screws **(1)** and screws **(2)** in top handlebar cover **(3)**.

10



### Installing handlebar trim

- Position handlebar trim center section **(1)** at top handlebar cover **(2)** and bottom handlebar cover **(3)**. Make sure that mounting clips **(4)** and locators **(5)** engage.

# Service Information No. SI 34 002 19 Recall 19V-157

## Replace Front Brake Hose

11

### Final check of work performed

#### NOTICE

After every tire change, always remind the customer that the ASC has to be calibrated in accordance with the instructions in the rider's manual.

- Check the following:
  - The work as performed achieved the intended purpose.
  - All reservoirs and containers have been filled and all fluids and lubricants are at their correct levels.
  - All threaded fasteners released beforehand have been correctly re-tightened.
  - The fuel system is free of leaks.
  - The lights and signaling equipment are fully operational and the vehicle is roadworthy.
  - The brake pads of the front and rear brakes are bedded against the brake discs.

### Function test, engine start suppression

#### Check

- Switch on the ignition.
- Set kill switch to operating position (run).
- Extend the side stand.
- Press the starter button.
- ❖ Starter does **not** operate.
- Retract the side stand.
- Press the starter button.
- ❖ Starter does **not** operate.
- With the brakes applied, press the starter button.
- ❖ Starter operates.

#### Result

Not all test steps completed successfully.

#### Measure

- Check the appropriate parts with the BMW Motorrad diagnostic system.