



DIAMONDBACK

DiamondBackCovers.com / 800 935 4002

CAB-PANEL SAFETY RECALL KIT

INSTALLATION GUIDE

MISC-12

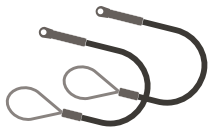
10 minutes
Normal install time

Keep an eye out for these icons:

! IMPORTANT!
Important installation information

★ Helpful Hints
Tips to assist installation

PARTS INCLUDED:



Cab-Panel Tethers (2)

TOOLS REQUIRED:



1/2"
Socket



3/16"
Hex Key

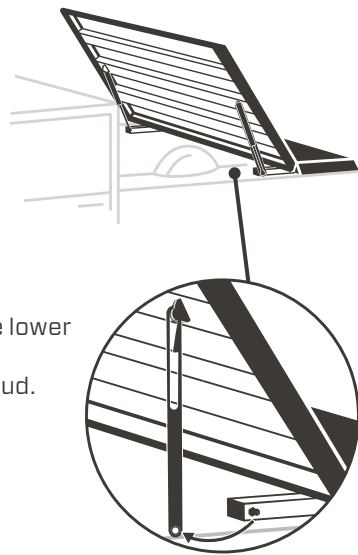
INSTRUCTIONS

1 Find a second person to support the cab panel while you work.

2 Open the cab panel.

3 Detach the lower ends of both gas springs from their ball studs.

4 On the driver side, free the lower half of the safety catch by removing it from its ball stud.



6 Remove but retain the nut and washer from the outermost hinge bolt on the driver side using a 1/2" socket and a 3/16" hex key. Do not remove the bolt.

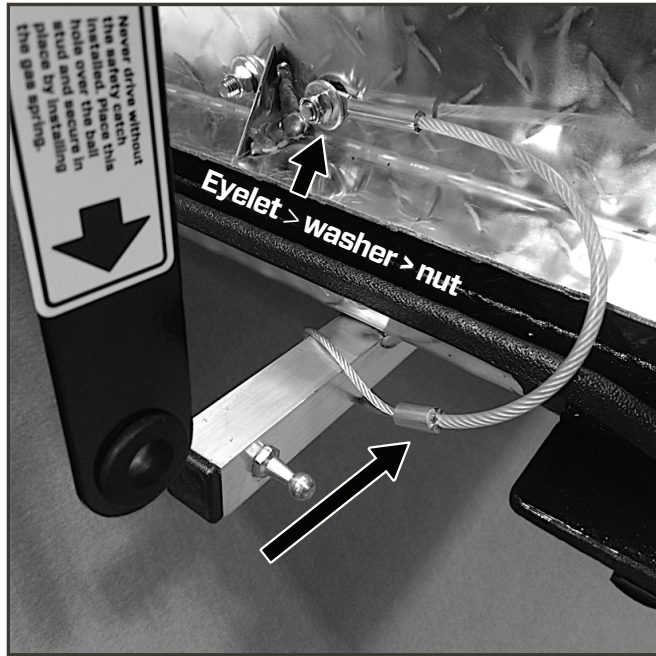


5 Verify that the warning label on the safety catch faces the driver side of the truck. If it does not, detach its top half as well and turn it around.

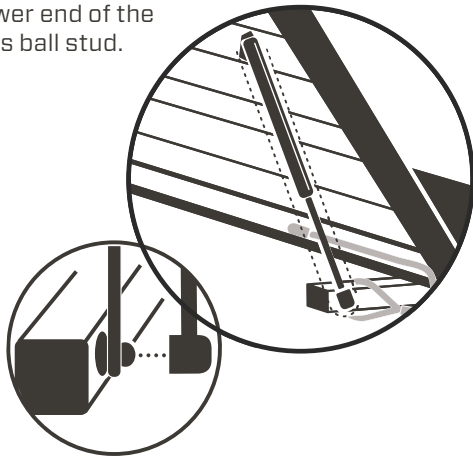
CONTINUED ON REVERSE >

ADD THE CAB-PANEL TETHERS

- 7 Place the forged eyelet of a **cab-panel tether** onto the hinge bolt, followed by the washer and the nut.
- 8 Slip the loop at the other end of the tether around the square tube arm well past the ball stud.



- 9 Reattach the lower half of the safety catch by placing its hole around this ball stud.
- 10 Reattach the lower end of the gas spring to this ball stud.



- 11 Repeat steps 6-8 and step 10 on the passenger side.

! WARNING

Key-lock the cab panel before driving to keep it from blowing open. Keep the safety catch and tethers installed. Without the safety catch and tethers, the cab panel may disconnect from the vehicle in case of a blow-open and cause serious property damage, personal injury, or death.

