

December 1, 2018

Version 2

Safety Recall: B-Pillar Trim Clip Mounting Hole

AFFECTED VEHICLES

Year	Model	Trim	VIN Range
2019	Pilot	ALL	Check the iN VIN status for eligibility.
2019	Ridgeline	ALL	Check the iN VIN status for eligibility.

BACKGROUND

There was a manufacturing error in a limited number of vehicles where the B-pillar trim clip mounting hole on the passenger's side of the vehicle was made too large and does not hold the clip to its specified tension. If the vehicle is involved in a collision where the side curtain airbag is deployed, it may not deploy as designed and increase the risk of injury to occupants.

CUSTOMER NOTIFICATION

Owners of affected vehicles will be sent a notification of this campaign.

Do an iN VIN status inquiry to make sure the vehicle is shown as eligible.

Some vehicles affected by this campaign may be in your new or used vehicle inventory.

Failure to repair a vehicle subject to a recall or campaign may subject your dealership to claims or lawsuits from the customer or anyone else harmed as a result of such failure. To see if a vehicle in inventory is affected by this safety recall, do a VIN status inquiry before selling it.

CORRECTIVE ACTION

Install a B-pillar trim bracket on the passenger's side B-pillar.

PARTS INFORMATION

Part Name	Part Number	Quantity
B-Pillar Trim Clip Bracket Kit (Includes one bracket, one clip, and two bolts)	64212-TG7-305	1

CUSTOMER INFORMATION: The information in this bulletin is intended for use only by skilled technicians who have the proper tools, equipment, and training to correctly and safely maintain your vehicle. These procedures should not be attempted by "do-it-yourselfers," and you should not assume this bulletin applies to your vehicle, or that your vehicle has the condition described. To determine whether this information applies, contact an authorized Honda automobile dealer.

PARTS INFORMATION

Part Name	Part Number	Quantity
HondaLoc3 Threadlock (One tube repairs 25 vehicles.)	08713-0003	1

WARRANTY CLAIM INFORMATION

Operation Number	Description	Flat Rate Time	Defect Code	Symptom Code	Template ID	Failed Part Number
8141T0	Install a B-pillar trim bracket on the passenger's side of the vehicle.	0.5 hr	6GC00	D3D00	A18132A	63110-TG7-306ZZ

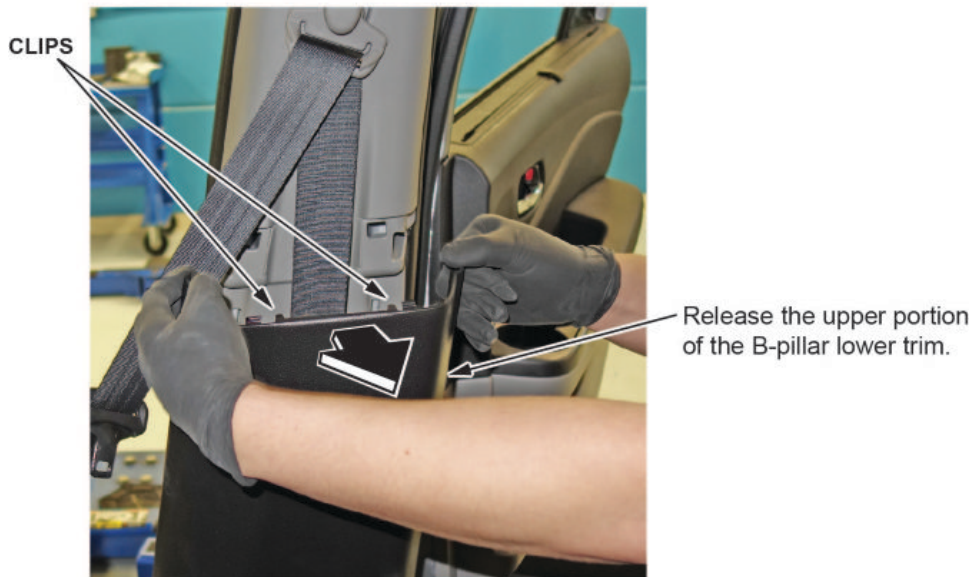
Skill Level: Repair Technician

REPAIR PROCEDURE

1. Move the front passenger's seat all the way forward, and fold the seat-back fully forward.
2. Do the battery terminal disconnection procedure, and wait at least 3 minutes before starting work.
3. Pull back the top part of the B-pillar lower trim.

NOTE

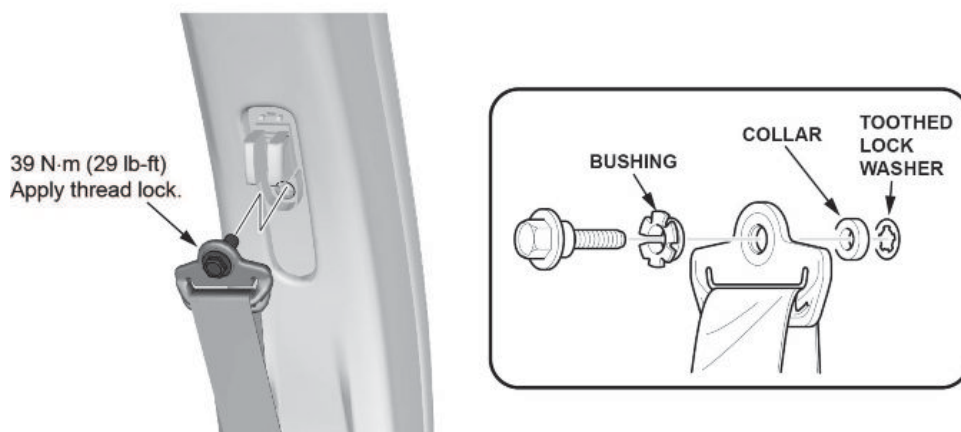
The B-pillar lower trim does not have to be completely removed; only remove enough to access the B-pillar upper trim.



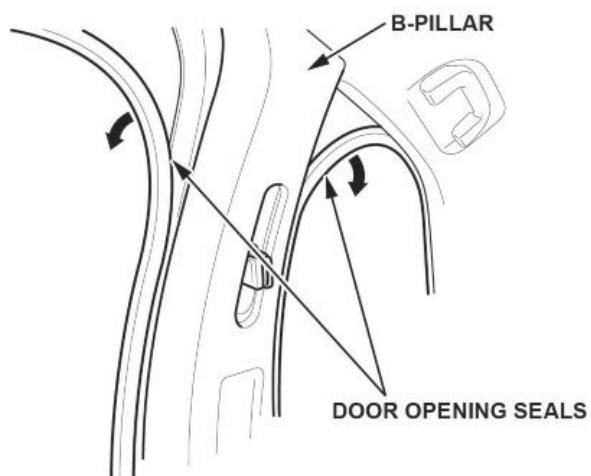
4. Remove the front seat belt upper anchor bolt cover.



5. Remove the front seat upper anchor.



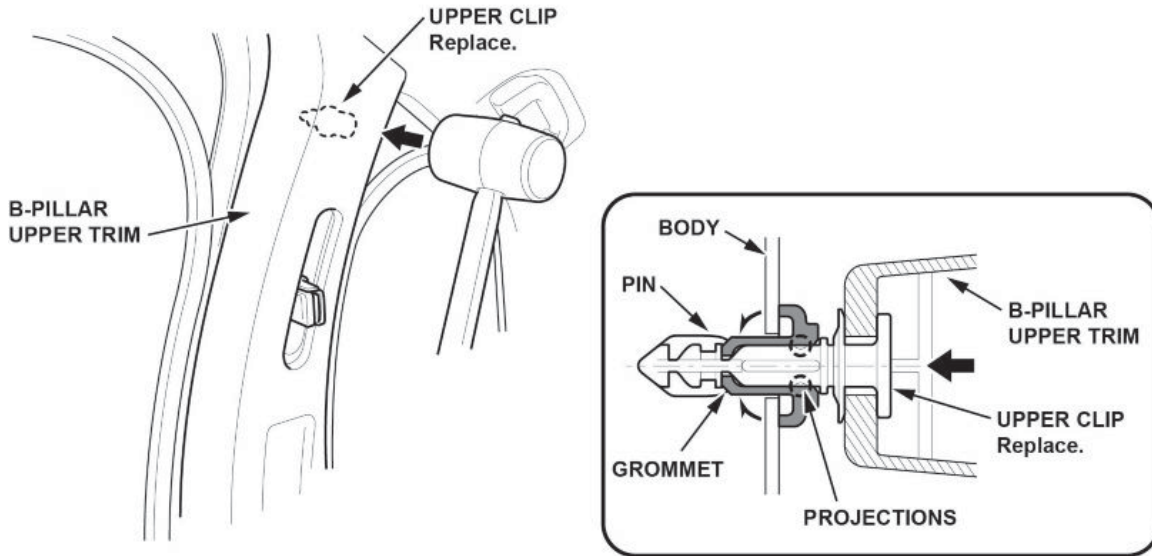
6. Pull back enough of the door opening seals to access the B-pillar upper trim.



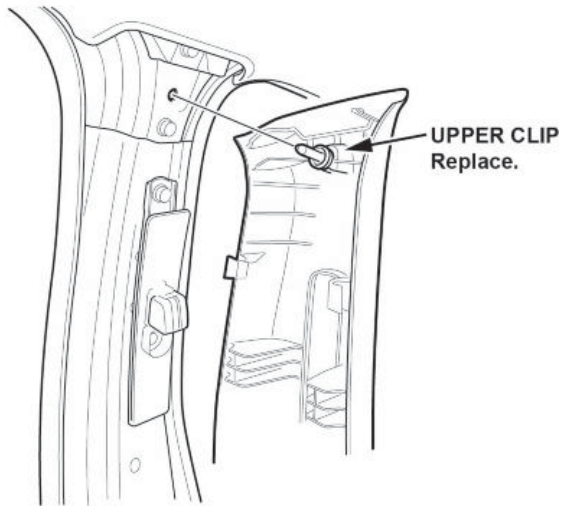
7. Using a rubber mallet, hit the upper clip in the B-pillar upper trim to break it, which allows you to remove it.

NOTE

Place a clean shop towel over the B-pillar upper trim to avoid marring it.

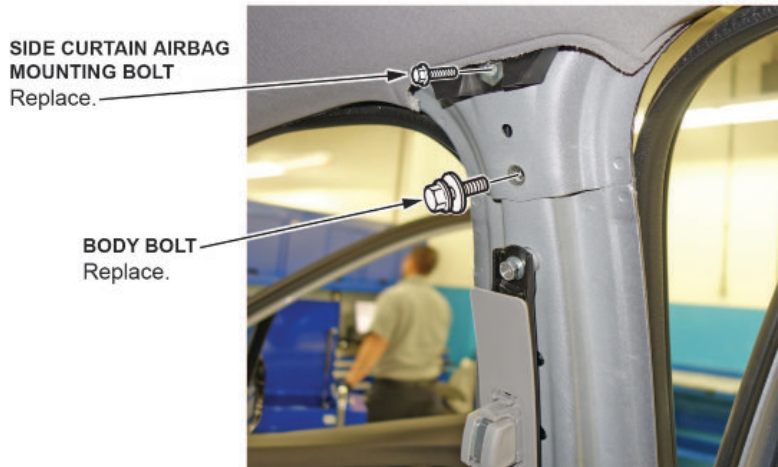


8. Pull back the top of the B-pillar upper trim to remove the upper clip from the body, then remove the trim.



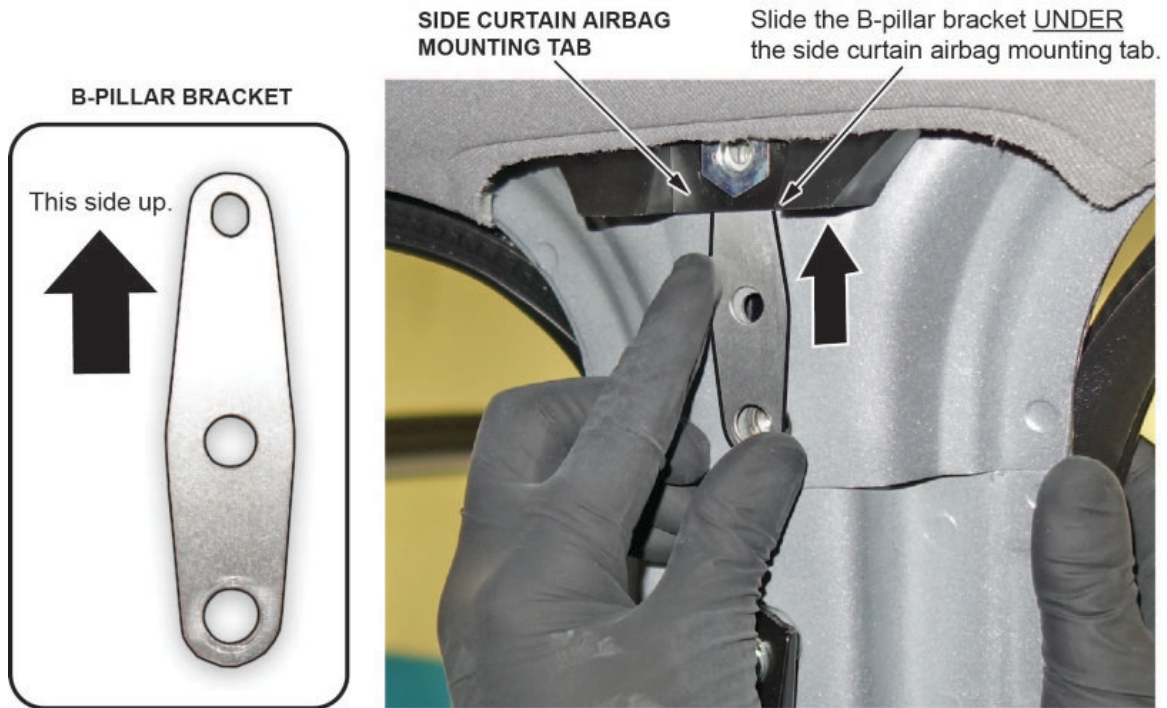
9. Install the B-pillar bracket.

9.1. Remove the side curtain airbag mounting bolt.

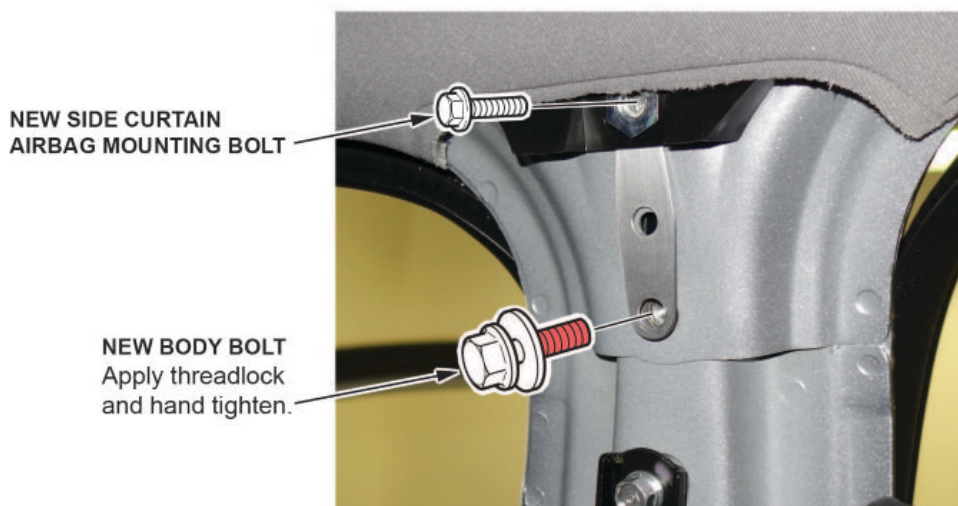


9.2. Remove the body bolt as shown.

9.3. Position the B-pillar bracket under the side curtain airbag mounting tab.



9.4. Install the new side curtain airbag mounting bolt, finger tight.



9.5. Apply Hondaloc3 threadlock to the new body bolt, and install it finger tight.

9.6. Align the bracket hole with the original clip hole by inserting the new B-pillar upper trim mounting clip into the bracket hole.

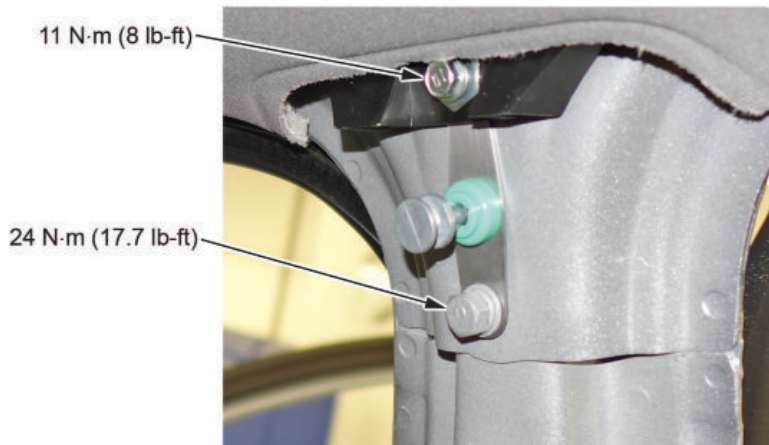
NOTE

Use the clip as a guide. Do not push it in all the way or set it because you'll have to break it to remove it.

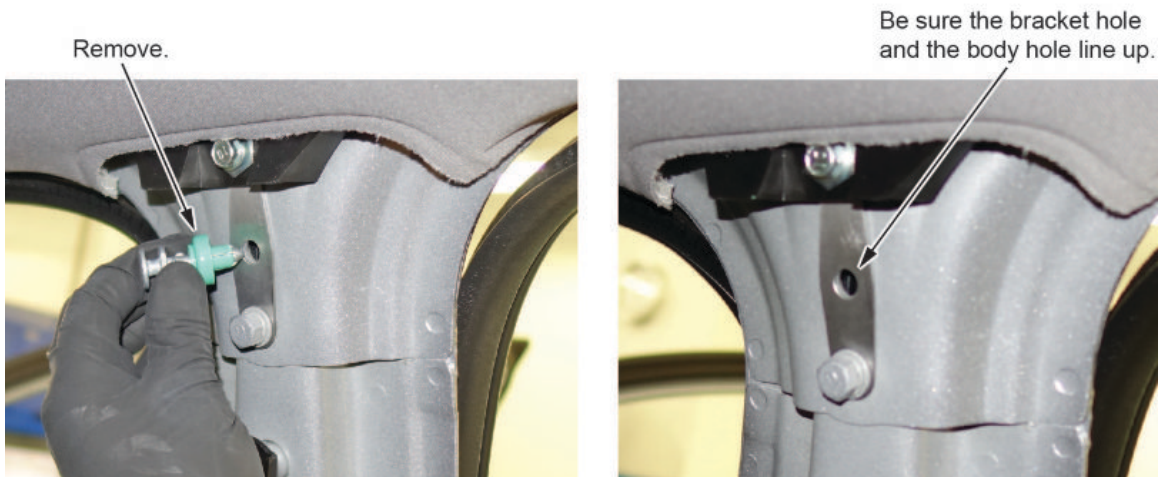


9.7. With the clip in the hole, torque the two bolts to the following specifications:

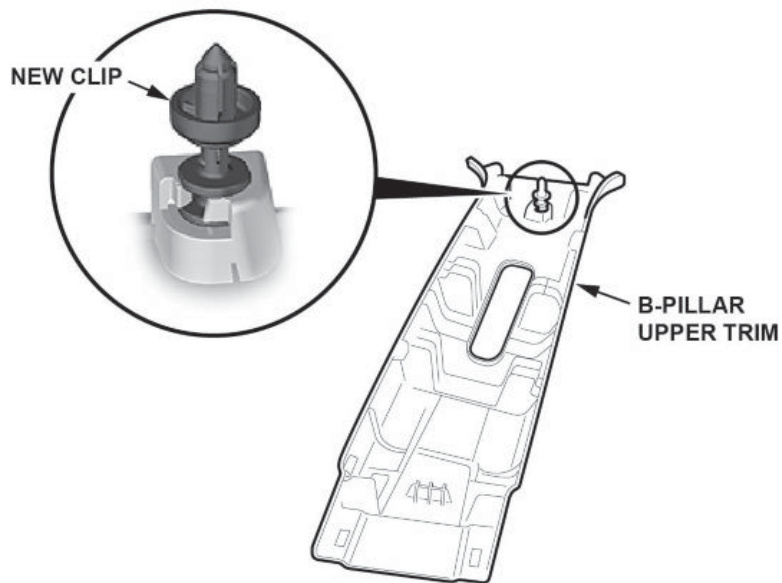
- Side curtain air bag mounting bolt: **11 N·m (8 lb-ft)**.
- Body Bolt: **24 N·m (17.7 lb-ft)**



9.8. Remove the clip, and confirm the bracket hole is aligned with the original hole.



10. Install the new clip in the B-pillar upper trim, then install the trim.



11. Install all of the removed parts in the reverse order of removal, then reconnect the battery.

NOTES

- Make sure you do not twist the seatbelt when installing it.
- Apply Hondaloc3 threadlock to the front seat upper anchor, and torque the bolt to **39 N·m (29 lb-ft)**.

END