

September 28, 2018

Version 1

Safety Recall: 2017-18 Civic: Steering Gearbox

AFFECTED VEHICLES

Year	Model	Trim	VIN Range
2017-18	Civic Coupe	ALL	Check the iN VIN status for eligibility.
2017-18	Civic Sedan	ALL	Check the iN VIN status for eligibility.
2017-18	Civic Hatch (Except Type-R)	ALL	Check the iN VIN status for eligibility.

BACKGROUND

Due to incorrect production of the steering gearbox torque sensor, the torque sensor magnet may shift from its normal position inside the gearbox. A shifted sensor magnet may cause the steering to move left or right unexpectedly, increasing the risk of a crash.

CUSTOMER NOTIFICATION

Owners of affected vehicles will be sent a notification of this campaign.

Do an iN VIN status inquiry to make sure the vehicle is shown as eligible.

Some vehicles affected by this campaign may be in your new or used vehicle inventory.

Failure to repair a vehicle subject to a recall or campaign may subject your dealership to claims or lawsuits from the customer or anyone else harmed as a result of such failure. To see if a vehicle in inventory is affected by this safety recall, do a VIN status inquiry before selling it.

CORRECTIVE ACTION

Replace the steering gearbox. Then, do a four-wheel alignment, followed by the steering angle neutral position learning procedure.

CUSTOMER INFORMATION: The information in this bulletin is intended for use only by skilled technicians who have the proper tools, equipment, and training to correctly and safely maintain your vehicle. These procedures should not be attempted by "do-it-yourselfers," and you should not assume this bulletin applies to your vehicle, or that your vehicle has the condition described. To determine whether this information applies, contact an authorized Honda automobile dealer.

WARRANTY CLAIM INFORMATION

Operation Number	Description	Flat Rate Time	Defect Code	Symptom Code	Template ID	Failed Part Number
5131L8	Replace steering gearbox. (Includes alignment and steering angle neutral position learning 2-door Si models only)	2.7 hrs	6KS00	C2N00	A18102A	53620-TBJ-A11
5131L8	Replace steering gearbox. (Includes alignment and steering angle neutral position learning 2-door LX models only)	2.7 hrs	6KS00	C2N00	A18102B	53620-TBJ-A11
5131L8	Replace steering gearbox. (Includes alignment and steering angle neutral position learning 4-door LX models only)	2.7 hrs	6KS00	C2N00	A18102C	53620-TBJ-A11
5131L8	Replace steering gearbox. (Includes alignment and steering angle neutral position learning 4-door EX models only)	2.7 hrs	6KS00	C2N00	A18102D	53620-TBJ-A11
5131L8	Replace steering gearbox. (Includes alignment and steering angle neutral position learning 4-door EX-T. EX-L models only)	2.7 hrs	6KS00	C2N00	A18102E	53620-TBJ-A11
5131L8	Replace steering gearbox. (Includes alignment and steering angle neutral position learning 5-door EX. EX-L models only)	2.7 hrs	6KS00	C2N00	A18102F	53620-TBJ-A11
5131L8	Replace steering gearbox. (Includes alignment and steering angle neutral position learning 5-door LX with Honda Sensing models only)	2.7 hrs	6KS00	C2N00	A18102G	53620-TBJ-A11
5131L8	Replace steering gearbox. (Includes alignment and steering angle neutral position learning 5-door LX models only)	2.7 hrs	6KS00	C2N00	A18102H	53620-TBJ-A11

Skill Level: Repair Technician

PARTS INFORMATION**Civic 2-Door Si**

Part Name	Part Number	Quantity
Steering Gearbox (2-Door Si)	53620-TBJ-A11	1
Gasket, A Pipe	18303-T2B-A01	1
Gasket, A Pipe	18302-SP0-003	1
Bolt (14 mm x 58 mm)	90107-TBA-A00	1
Bolt (14 mm x 73 mm)	90108-TBA-A00	2
Bolt	90108-TL1-G00	1
Bolt- Washer (10 mm x 25 mm)	90159-TBA-A00	6
Flange Bolt (14 mm x 90 mm)	90179-SDA-A00	4
Flange Bolt (14 mm x 35 mm)	90181-TBA-A00	2
Flange Bolt (10 mm x 65 mm)	90210-TBA-A01	2
Nut (10 mm)	90212-SA5-003	8
Nut (12 mm)	90215-SB0-003	6
Hex Nut (12 mm)	94030-12280	2
Split Pin (3 mm x 22 mm)	94201-30220	2

Civic 2-Door LX

Part Name	Part Number	Quantity
Steering Gearbox (2-Door LX)	53650-TBG-A03	1
Gasket, A Pipe	18303-T2B-A01	1
Gasket, A Pipe	18302-SP0-003	1
Bolt (14 mm x 58 mm)	90107-TBA-A00	1
Bolt (14 mm x 73 mm)	90108-TBA-A00	2
Bolt	90108-TL1-G00	1
Bolt- Washer (10 mm x 25 mm)	90159-TBA-A00	6
Flange Bolt (14 mm x 90 mm)	90179-SDA-A00	4
Flange Bolt (14 mm x 35 mm)	90181-TBA-A00	2
Flange Bolt (10 mm x 65 mm)	90210-TBA-A01	2
Nut (10 mm)	90212-SA5-003	8
Nut (12 mm)	90215-SB0-003	6
Hex Nut (12 mm)	94030-12280	2
Split Pin (3 mm x 22 mm)	94201-30220	2

Civic 4-Door LX

Part Name	Part Number	Quantity
Steering Gearbox (4-Door LX)	53650-TBA-A02	1
Gasket, A Pipe	18303-T2B-A01	1
Gasket, A Pipe	18302-SP0-003	1
Bolt (14 mm x 58 mm)	90107-TBA-A00	1
Bolt (14 mm x 73 mm)	90108-TBA-A00	2
Bolt	90108-TL1-G00	1
Bolt- Washer (10 mm x 25 mm)	90159-TBA-A00	6
Flange Bolt (14 mm x 90 mm)	90179-SDA-A00	4
Flange Bolt (14 mm x 35 mm)	90181-TBA-A00	2
Flange Bolt (10 mm x 65 mm)	90210-TBA-A01	2
Nut (10 mm)	90212-SA5-003	8
Nut (12 mm)	90215-SB0-003	6
Hex Nut (12 mm)	94030-12280	2
Split Pin (3 mm x 22 mm)	94201-30220	2

Civic 4-Door EX

Part Name	Part Number	Quantity
Steering Gearbox (4-Door EX)	53650-TBA-A22	1
Gasket, A Pipe	18303-T2B-A01	1
Gasket, A Pipe	18302-SP0-003	1
Bolt (14 mm x 58 mm)	90107-TBA-A00	1
Bolt (14 mm x 73 mm)	90108-TBA-A00	2
Bolt	90108-TL1-G00	1
Bolt- Washer (10 mm x 25 mm)	90159-TBA-A00	6
Flange Bolt (14 mm x 90 mm)	90179-SDA-A00	4
Flange Bolt (14 mm x 35 mm)	90181-TBA-A00	2
Flange Bolt (10 mm x 65 mm)	90210-TBA-A01	2
Nut (10 mm)	90212-SA5-003	8
Nut (12 mm)	90215-SB0-003	6
Hex Nut (12 mm)	94030-12280	2
Split Pin (3 mm x 22 mm)	94201-30220	2

Civic 4-Door EX-T, EX-L

Part Name	Part Number	Quantity
Steering Gearbox (4-Door EX-T, EX-L)	53650-TBC-A02	1
Gasket, A Pipe	18303-T2B-A01	1
Gasket, A Pipe	18302-SP0-003	1
Bolt (14 mm x 58 mm)	90107-TBA-A00	1
Bolt (14 mm x 73 mm)	90108-TBA-A00	2
Bolt	90108-TL1-G00	1
Bolt- Washer (10 mm x 25 mm)	90159-TBA-A00	6
Flange Bolt (14 mm x 90 mm)	90179-SDA-A00	4
Flange Bolt (14 mm x 35 mm)	90181-TBA-A00	2
Flange Bolt (10 mm x 65 mm)	90210-TBA-A01	2
Nut (10 mm)	90212-SA5-003	8
Nut (12 mm)	90215-SB0-003	6
Hex Nut (12 mm)	94030-12280	2
Split Pin (3 mm x 22 mm)	94201-30220	2

Civic 5-Door EX, EX-L

Part Name	Part Number	Quantity
Steering Gearbox (5-Door EX, EX-L)	53620-TGG-A41	1
Gasket, A Pipe	18303-T2B-A01	1
Gasket, A Pipe	18302-SP0-003	1
Bolt (14 mm x 58 mm)	90107-TBA-A00	1
Bolt (14 mm x 73 mm)	90108-TBA-A00	2
Bolt	90108-TL1-G00	1
Bolt- Washer (10 mm x 25 mm)	90159-TBA-A00	6
Flange Bolt (14 mm x 90 mm)	90179-SDA-A00	4
Flange Bolt (14 mm x 35 mm)	90181-TBA-A00	2
Flange Bolt (10 mm x 65 mm)	90210-TBA-A01	2
Nut (10 mm)	90212-SA5-003	8
Nut (12 mm)	90215-SB0-003	6
Hex Nut (12 mm)	94030-12280	2
Split Pin (3 mm x 22 mm)	94201-30220	2

Civic 5-Door LX With Honda Sensing

Part Name	Part Number	Quantity
Steering Gearbox (5-Door LX)	53620-TGG-A52	1
Gasket, A Pipe	18303-T2B-A01	1
Gasket, A Pipe	18302-SP0-003	1
Bolt (14 mm x 58 mm)	90107-TBA-A00	1
Bolt (14 mm x 73 mm)	90108-TBA-A00	2
Bolt	90108-TL1-G00	1
Bolt- Washer (10 mm x 25 mm)	90159-TBA-A00	6
Flange Bolt (14 mm x 90 mm)	90179-SDA-A00	4
Flange Bolt (14 mm x 35 mm)	90181-TBA-A00	2
Flange Bolt (10 mm x 65 mm)	90210-TBA-A01	2
Nut (10 mm)	90212-SA5-003	8
Nut (12 mm)	90215-SB0-003	6
Hex Nut (12 mm)	94030-12280	2
Split Pin (3 mm x 22 mm)	94201-30220	2

Civic 5-Door LX without Honda Sensing

Part Name	Part Number	Quantity
Steering Gearbox (5-Door LX)	53620-TGG-A22	1
Gasket, A Pipe	18303-T2B-A01	1
Gasket, A Pipe	18302-SP0-003	1
Bolt (14 mm x 58 mm)	90107-TBA-A00	1
Bolt (14 mm x 73 mm)	90108-TBA-A00	2
Bolt	90108-TL1-G00	1
Bolt- Washer (10 mm x 25 mm)	90159-TBA-A00	6
Flange Bolt (14 mm x 90 mm)	90179-SDA-A00	4
Flange Bolt (14 mm x 35 mm)	90181-TBA-A00	2
Flange Bolt (10 mm x 65 mm)	90210-TBA-A01	2
Nut (10 mm)	90212-SA5-003	8
Nut (12 mm)	90215-SB0-003	6
Hex Nut (12 mm)	94030-12280	2
Split Pin (3 mm x 22 mm)	94201-30220	2

TOOL INFORMATION

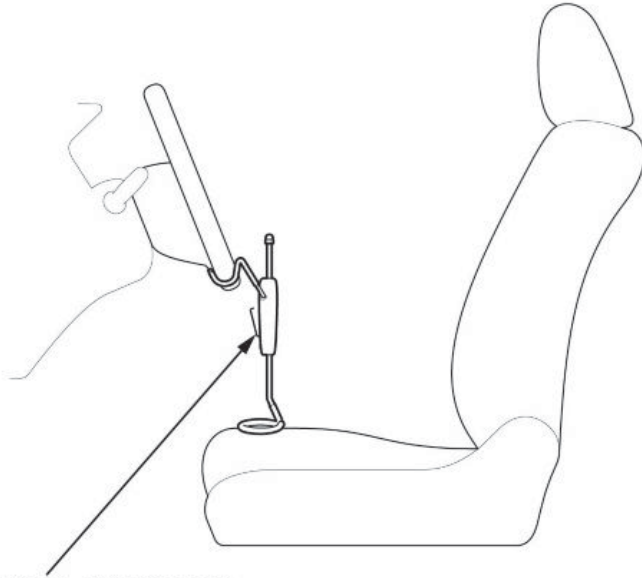
Tool Name	Tool Number	Quantity
Subframe Adapter	VSB02C000016	1

REPAIR PROCEDURE

NOTE

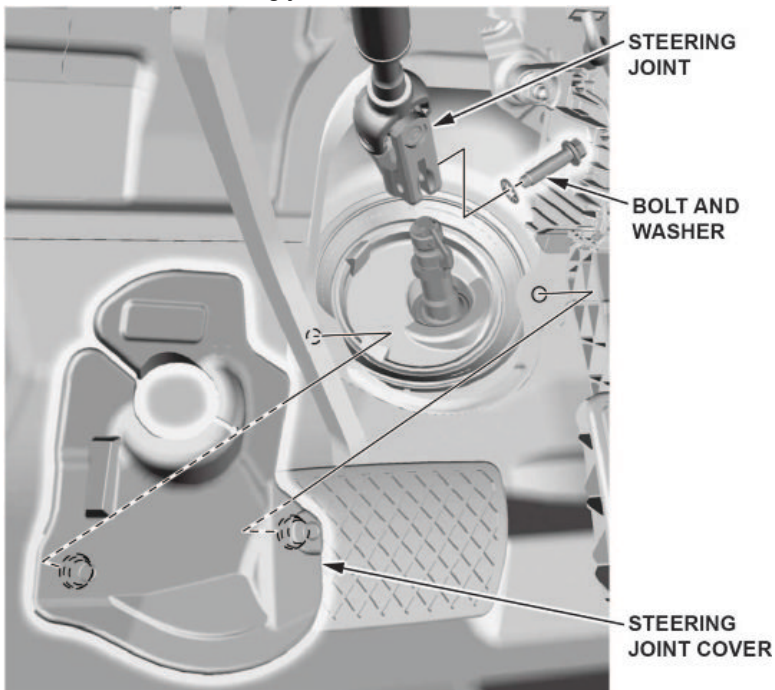
For more information about the procedures listed below, refer to the service information.

1. Set the steering column to the center tilt position and center telescopic position. Use the steering wheel holder tool to keep in place.



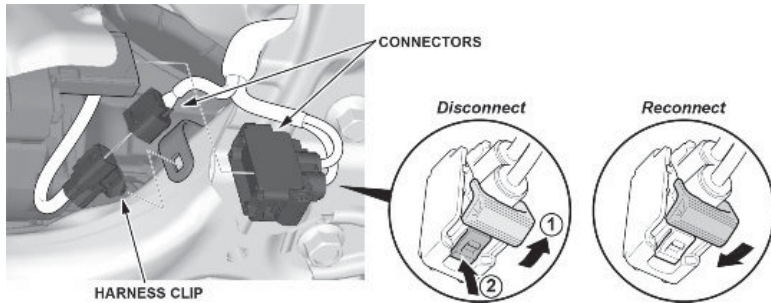
STEERING WHEEL HOLDER TOOL

2. Raise the vehicle on a lift.
3. Remove the front wheels.
4. Disconnect the steering joint.

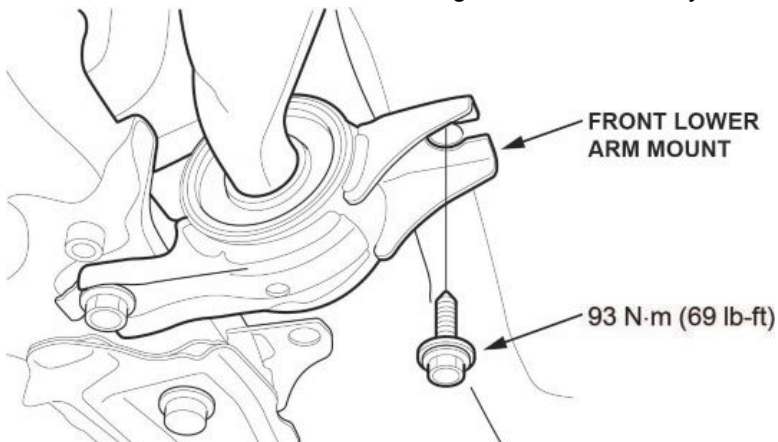


5. Disconnect the tie-rod end ball joints on both sides of the vehicle.
6. Remove the engine undercover.

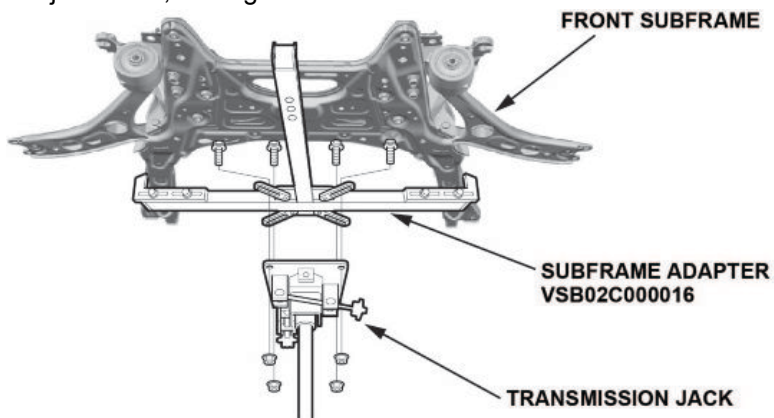
7. Disconnect the EPS subharness, and remove the connectors from the harness clips.



8. Disconnect both sides of the stabilizer link from the stabilizer bar.
9. Disconnect both lower arm ball joints.
10. *Vehicles with 1.5 L engine:* Remove the intake air resonator.
11. Remove exhaust pipe A.
12. Remove the torque rod mounting bolt.
13. Remove the front brace.
14. Remove both front lower arm mounting bolts from the body.



15. Set the subframe adapter on a transmission jack, line up the slots in the arms with the bolt holes on the corner of the jack base, and tighten the bolts.



16. Attach the subframe adapter to the front subframe, and remove the bolts holding the subframe.
17. Using the transmission jack, lower the front subframe until it drops from the body.

NOTE

Do not lower the front subframe more than required.

18. Remove the steering gearbox mounting bolt and stiffener.
19. Remove the heat shield, harness, and pinion shaft grommet.

INSTALLATION

NOTE

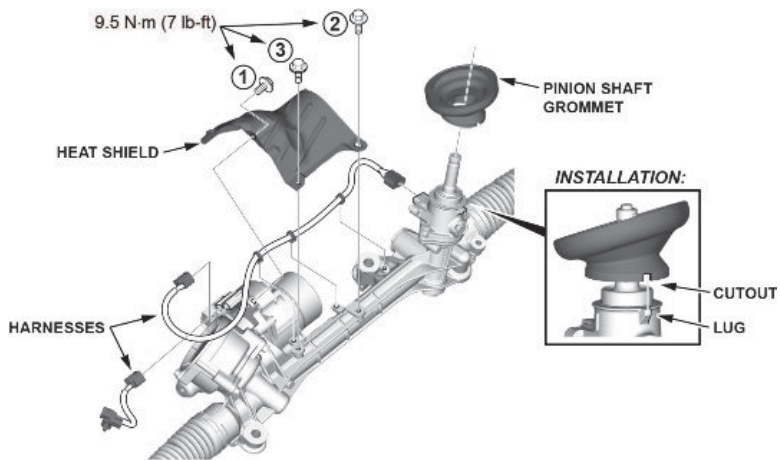
During the assembly process, replace all required parts.

1. Install the pinion shaft grommet.

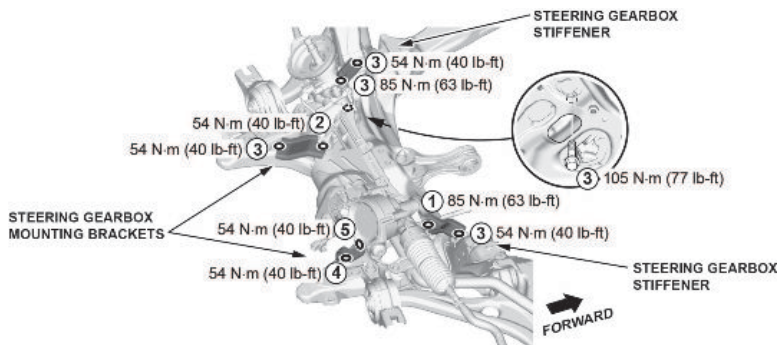
NOTICE

Make sure to align the cutout portion with the lug portion. The grommet must not have a gap at the mating surface of the grommet and torque sensor.

2. Install the harnesses.
3. Loosely install the heat shield, and tighten the mounting bolts to the specified torque in the sequence shown.

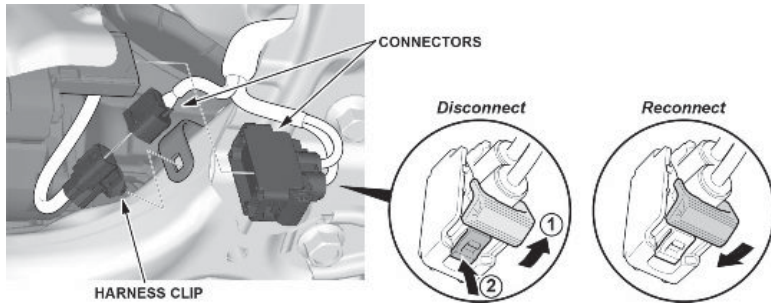


4. Loosely install the new steering gearbox stiffener and mounting bolts.
5. Tighten the steering gearbox mounting bolts and the stiffener mounting bolts to the specified torque in the sequence shown.



6. Install the front lower arm mounting bolt on both sides of the body.
7. Install the front brace.
8. Loosely install the torque rod mounting bolt.
9. Release the subframe jack.
10. Tighten the engine and transmission mounts to the specified torque.
11. Install exhaust pipe A with new gaskets.
12. *Vehicles with 1.5 liter engine:* Install the intake air resonator.
13. Connect the lower arm ball joints on both sides.
14. Connect the stabilizer link to the stabilizer bar.

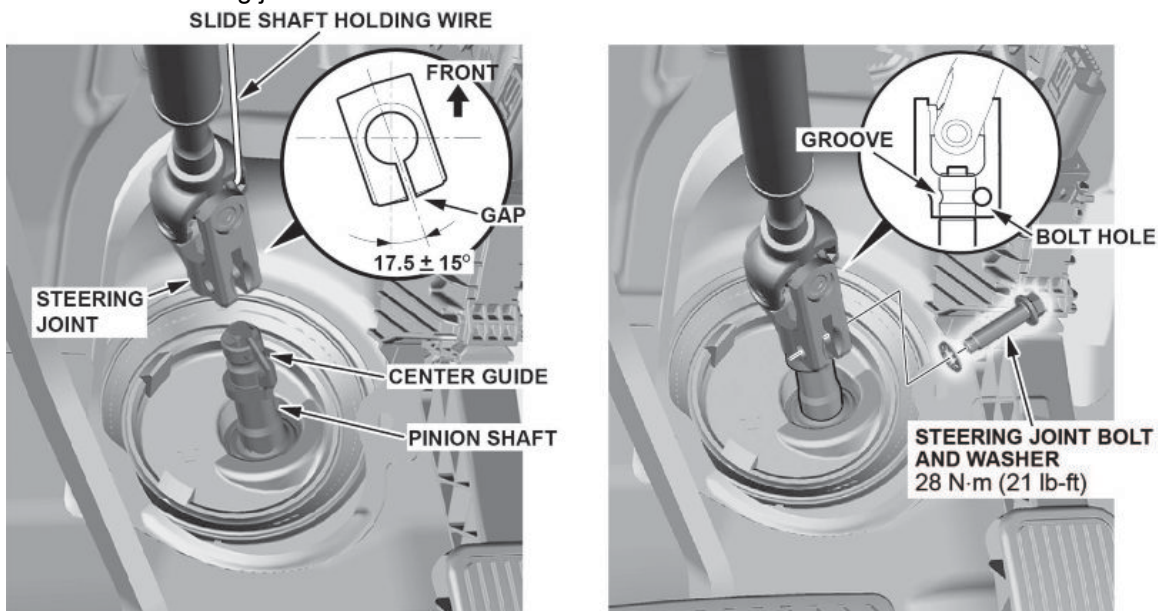
15. Connect the EPS subharness, and install the harness clip.



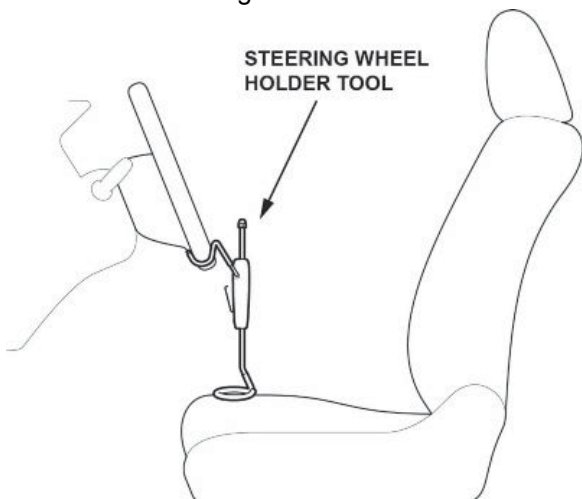
16. Install the engine undercover.

17. Connect the tie-rod end ball joints on both sides.

18. Connect the steering joint.



19. Remove the steering wheel holder tool.



20. Install the front wheels.

21. With the tires raised off the ground, check for the following symptoms on the steering gearbox by turning the steering wheel fully to the right and left several times. If you hear any of the symptoms listed below, check for a probable cause.

Symptom	Probable cause
Rubbing sound coming from the lower steering column area.	Steering column joint is contacting the cover.
Noise from the lower steering column area, or a rough feeling during steering.	Poor engagement of the pinion shaft serrations.
Noise from around the steering wheel during steering.	Poor engagement of the SRS cable reel with the steering wheel, or a damaged cable reel.

22. Check these items with the vehicle on the ground:

- Start the engine, let it idle, and turn the steering wheel from lock to lock several times.
- Make sure the EPS indicator does not come on.
- Check the power steering assist.
- Confirm the steering wheel is centered. If not centered, check for proper engagement and/or alignment of the steering column coupler and steering gearbox spline.

23. Do a four-wheel alignment.

24. Do the steering angle neutral position learning procedure.

END