



David J. Johnson  
Director  
Service Engineering Operations  
Ford Customer Service Division

Ford Motor Company  
P. O. Box 1904  
Dearborn, Michigan 48121

August 30, 2018

**TO:** All U.S. Ford and Lincoln Dealers

**SUBJECT: NEW VEHICLE DEMONSTRATION / DELIVERY HOLD**

**Safety Recall 18S20**

Certain 2013-2016 Fusion and 2013-2014 Escape with a 6F35 Transmission  
Shift Cable Bushing Replacement

**AFFECTED VEHICLES**

Vehicle	Model Year	Assembly Plant	Build Dates
Fusion	2014	Flat Rock	June 18, 2013 through September 15, 2013
	2014-2016		June 2, 2014 through August 31, 2015
	2013-2014	Hermosillo	May 15, 2013 through September 15, 2013
	2014-2016		June 2, 2014 through August 31, 2015
Escape	2013-2014	Louisville	May 15, 2013 through September 15, 2013

Affected vehicles are identified in OASIS and FSA VIN Lists.

**REASON FOR THIS SAFETY RECALL**

In some of the affected vehicles, the bushing at the transmission end of the shifter cable may be damaged or missing which can result in the shifter not completely moving the transmission to the proper gear position. The transmission may lose Park function, even when the shifter position indicates the vehicle is in park.

This condition could allow the ignition key, if equipped, to be removed with no instrument panel warning message or warning chime while exiting the vehicle indicating the vehicle is not secured in park. This could result in unintended vehicle movement, increasing the risk of injury or crash.

**SERVICE ACTION**

Before demonstrating or delivering any new in-stock vehicles involved in this recall, dealers are to replace the bushing at the transmission end of the shifter cable. This service must be performed on all affected vehicles at no charge to the vehicle owner.

Note: Some customers may have paid for shifter cable replacement, and can be reimbursed for the repair but the recall must still be performed in order close the recall on the vehicle.

**OWNER NOTIFICATION MAILING SCHEDULE**

Owner letters are expected to be mailed the week of September 17, 2018. Dealers should repair any affected vehicles that arrive at their dealerships, whether or not the customer has received a letter.

**PLEASE NOTE:**

**Federal law requires dealers to complete this recall service before a new vehicle is delivered to the buyer or lessee. Violation of this requirement by a dealer could result in a civil penalty of up to \$21,000 per vehicle. Correct all vehicles in your new vehicle inventory before delivery.**

**ATTACHMENTS**

Attachment I: Administrative Information  
Attachment II: Labor Allowances and Parts Ordering Information  
Attachment III: Technical Information  
Owner Notification Letter  
Recall Reimbursement Plan

**QUESTIONS & ASSISTANCE**

For questions and assistance, contact the Special Service Support Center (SSSC) via the SSSC Web Contact Site. The SSSC Web Contact Site can be accessed through the Professional Technician Society (PTS) website using the SSSC link listed at the bottom of the OASIS VIN report screen or listed under the SSSC tab.

Sincerely,

A handwritten signature in black ink, appearing to read "D. Johnson", is positioned above the printed name.

David J. Johnson

**NEW VEHICLE DEMONSTRATION / DELIVERY HOLD****Safety Recall 18S20**

Certain 2013-2016 Fusion and 2013-2014 Escape with a 6F35 Transmission  
Shift Cable Bushing Replacement

**OASIS ACTIVATION**

OASIS was activated on July 17, 2018.

**FSA VIN LISTS ACTIVATION**

FSA VIN Lists was available through <https://web.fsavinlists.dealerconnection.com> on July, 17, 2018. Owner names and addresses will be available by October 1, 2018.

**NOTE:** Your FSA VIN Lists may contain owner names and addresses obtained from motor vehicle registration records. The use of such motor vehicle registration data for any purpose other than in connection with this recall is a violation of law in several states, provinces, and countries.

Accordingly, you must limit the use of this listing to the follow-up necessary to complete this recall.

**SOLD VEHICLES**

- Owners of affected vehicles will be directed to dealers for repairs.
- Immediately contact any of your affected customers whose vehicles are not on your VIN list but are identified in OASIS. Give the customer a copy of the Owner Notification Letter (when available) and schedule a service date.
- Correct other affected vehicles identified in OASIS which are brought to your dealership.
- Dealers are to prioritize repairs of customer vehicles over repairs of new and used vehicle inventory.

**STOCK VEHICLES**

- Correct all affected units in your new vehicle inventory before delivery.
- Use OASIS to identify any affected vehicles in your used vehicle inventory.

**DEALER-OPERATED RENTAL VEHICLES**

The Fixing America's Surface Transportation (FAST) Act law effective June 2016 prohibits a rental company from selling, renting or leasing vehicles subject to a safety or compliance recall. Please consult your legal counsel for legal advice.

**TITLE BRANDED / SALVAGED VEHICLES**

Affected title branded and salvaged vehicles are eligible for this recall.

**OWNER REFUNDS**

- **This safety recall must still be performed, even if the owner has paid for a previous repair. Claiming a refund will not close the recall on the vehicle.**
- Ford Motor Company is offering a refund for owner-paid repairs covered by this recall if the repair was performed prior to the date indicated in the reimbursement plan, which is posted with this bulletin. Owners are directed to seek reimbursement through authorized dealers or, at their option, directly through Ford Motor Company at P.O. Box 6251, Dearborn, MI 48121-6251.
- Refunds will only be provided for the cost associated with Shift Cable Replacement.

**NEW VEHICLE DEMONSTRATION / DELIVERY HOLD****Safety Recall 18S20**

Certain 2013-2016 Fusion and 2013-2014 Escape with a 6F35 Transmission  
Shift Cable Bushing Replacement

**RENTAL VEHICLES**

Rental vehicles are not approved for this program.

**ADDITIONAL REPAIR (LABOR TIME AND/OR PARTS)**

Additional repairs identified as necessary to complete the FSA should be managed as follows:

- For related damage and access time requirements, refer to the Warranty and Policy Manual – Section 6 – Ford/Lincoln Program Policies – Field Service Actions (FSA) – Related Damage.
- For vehicles within new vehicle bumper-to-bumper warranty coverage, no SSSC approval is required.
  - Ford vehicles – 3 years or 36,000 miles
- For vehicles outside new vehicle bumper-to-bumper warranty coverage, submit an Approval Request to the SSSC Web Contact Site prior to completing the repair.

**CLAIMS PREPARATION AND SUBMISSION**

- Enter claims using Dealer Management System (DMS) or One Warranty Solution (OWS) online.
  - When entering claims, select claim type 31: Field Service Action. The FSA number 18S20 is the sub code.
  - For additional claims preparation and submission information, refer to the Recall and Customer Satisfaction Program (CSP) Repairs in the OWS User Guide.
- Additional labor and/or parts must be claimed as related damage on a separate repair line from the FSA. **IMPORTANT:** Click the radio button on the Related Damage Indicator.
- Submit refunds on a separate repair line.
  - Program Code: 18S20
  - Misc. Expense: ADMIN
  - Misc. Expense: REFUND
  - Misc. Expense: 0.2 Hrs.
- Multiple refunds should be submitted on one repair line and the invoice details for each repair should be detailed in the comments section of the claim.

**NEW VEHICLE DEMONSTRATION / DELIVERY HOLD****Safety Recall 18S20**

Certain 2013-2016 Fusion and 2013-2014 Escape with a 6F35 Transmission  
Shift Cable Bushing Replacement

**LABOR ALLOWANCES**

Description	Labor Operation	Labor Time
Replace Shift Cable Bushing and Adjust Shifter	18S20B	0.6 hours

**PARTS REQUIREMENTS / ORDERING INFORMATION**

Part Number	Description	Order Quantity	Claim Quantity
DG9Z-7K340-A	Shift Cable Bushing	1	1

Order your parts through normal order processing channels. To guarantee the shortest delivery time, an emergency order for parts must be placed.

**ADDITIONAL PARTS ORDERING INFORMATION**

**NOTE:** Although Shift Cable Hold Down Bracket damage is not likely, we are making dealers aware of part availability in lieu of replacing the entire shifter cable. Less than 5% of the affected vehicle population is expected to require the Shift Cable Hold Down Bracket.

Part Number	Description	Order Quantity	Claim Quantity
DG9Z-7H181-A	Shift Cable Hold Down Bracket (Only replace if damaged when removing shift cable.)	1	1

**DEALER PRICE**

For latest prices, refer to DOES II.

**PARTS RETENTION AND RETURN**

Follow the provisions of the Warranty and Policy Manual, Section 1 - WARRANTY PARTS RETENTION AND RETURN POLICIES.

**EXCESS STOCK RETURN**

Excess stock returned for credit must have been purchased from Ford Customer Service Division in accordance with Policy Procedure Bulletin 4000.

## CERTAIN 2013-2016 MODEL YEAR FUSION AND 2013-2014 ESCAPE VEHICLES EQUIPPED WITH A 6F35 TRANSMISSION — SHIFTER CABLE BUSHING REPLACEMENT

### OVERVIEW

In some of the affected vehicles, the bushing at the transmission end of the shifter cable may be damaged or missing which can result in the shifter not completely moving the transmission to the proper gear position. The transmission may lose Park function, even when the shifter position indicates the vehicle is in park. This condition could allow the ignition key, if equipped, to be removed with no instrument panel warning message or warning chime while exiting the vehicle indicating the vehicle is not secured in park. This could result in unintended vehicle movement, increasing the risk of injury or crash. Before demonstrating or delivering any new in-stock vehicles involved in this recall, dealers are to replace the bushing at the transmission end of the shifter cable.

### SERVICE PROCEDURE

#### Recommended Tool List:

General Tools	
1/4" Drive Ratchet (Power and Hand Tool)	1/4" Drive Torque Wrench
1/4" Drive 5mm and 7mm Shallow Sockets	Straight Jaw Pliers
3/8" Drive Ratchet (Power and Hand Tool)	Pocket Screwdriver
3/8" Drive 10mm and 15mm Shallow Socket	Lisle® 38350 - Pipe hanger tool - Optional
3/8" Drive Torque Wrench	10mm (0.394 in.) Punch

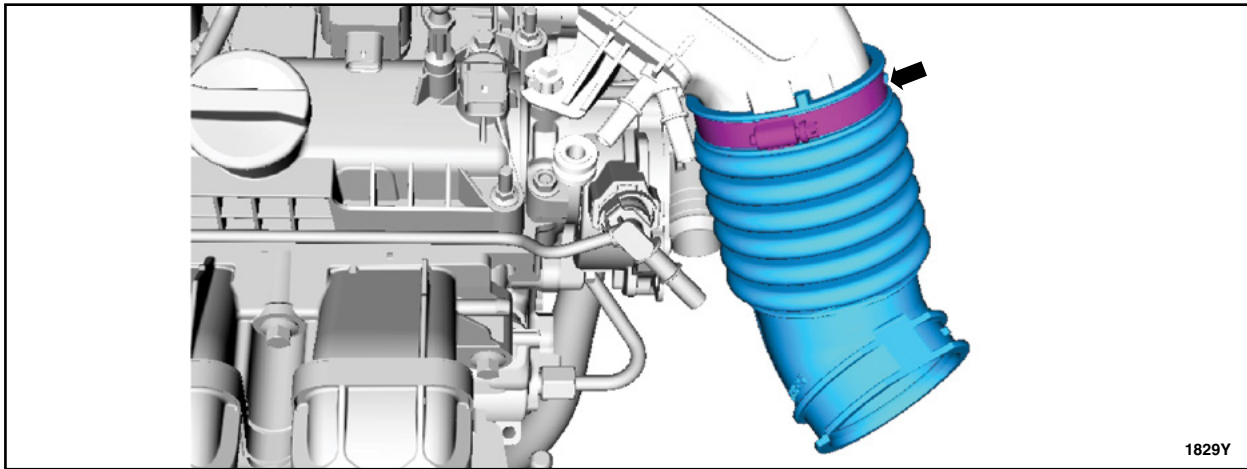
#### All Vehicles

1. Apply the parking brake, chock wheels to make sure vehicle does not roll.
2. Position the gear shift lever in Drive (D).



3. Remove the air cleaner assembly. Please follow the Workshop Manual (WSM) procedures in Section 303-12.
4. For all Escape vehicles equipped with 1.6L and 2.0L engines, loosen the clamp and remove the air cleaner outlet pipe. See Figure 1.

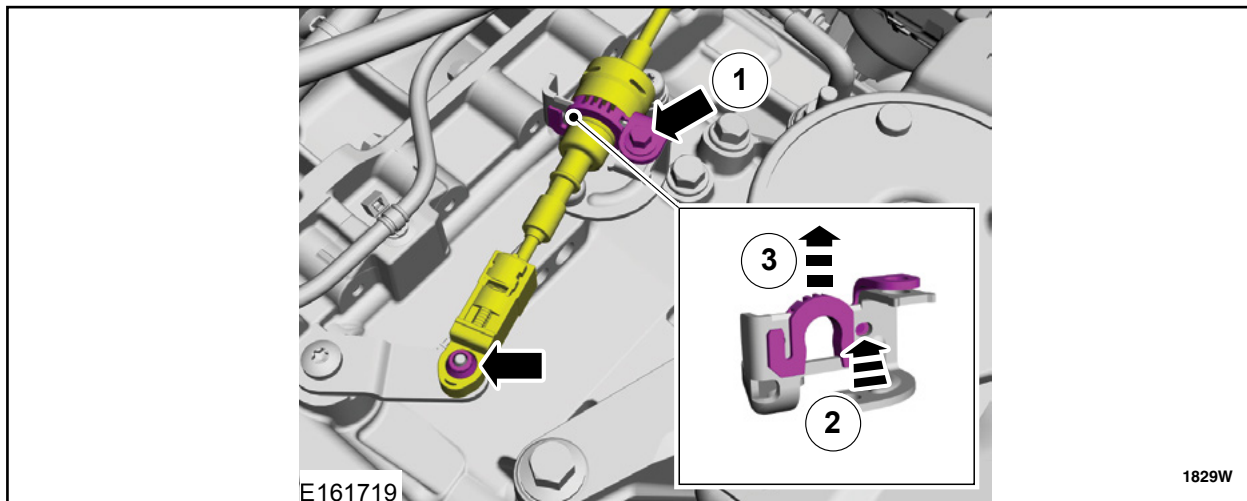
- Torque to 44 lb.in (5 Nm)



**FIGURE 1**

5. Disconnect the selector lever cable from the transmission manual lever and the bracket. See Figure 2.

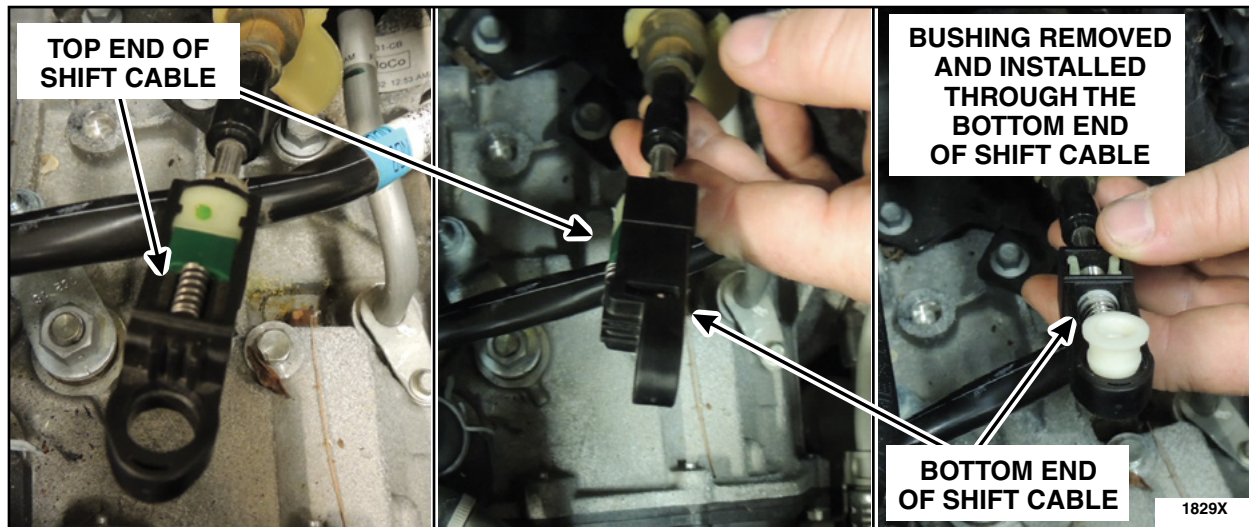
1. Remove the selector lever cable bracket bolt.
2. Disengage the selector lever cable holding clip.
  - Use caution when removing hold down bracket to avoid damage. Hold down bracket is available separate of shift cable.
3. Disconnect the selector lever cable.
  - Torque to 62 lb.in (7 Nm).



**FIGURE 2**



**NOTE:** Selector Lever Cable Bushing Replacement/Orientation. See Figure 3.



**FIGURE 3**

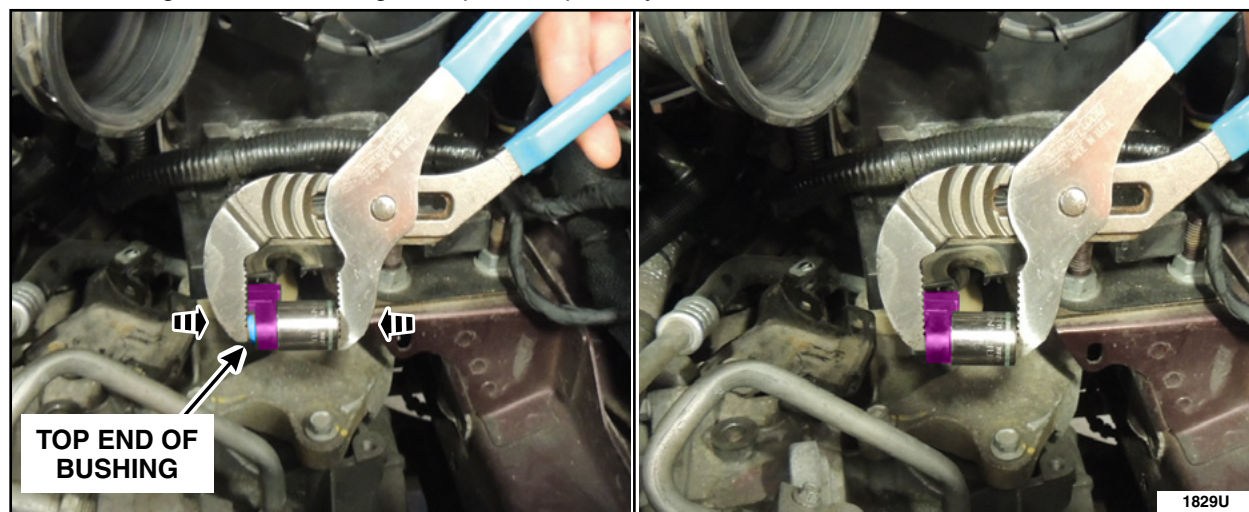
### 2013 Model Year Vehicles Only

6. Using a pair of Straight Jaw Adjustable pliers and a 15mm shallow socket push the bushing partially out of the selector lever cable end. See Figure 4.

- Use caution not to damage the shifter cable during this procedure.
- Inspect for damage before installing the new shifter cable bushing.

**NOTE:** For all 2013 Fusion and Escape vehicles equipped with original shift cable, the bushing is taller than the replacement bushing.

**NOTE:** The 15mm socket will rest against the hard plastic bottom end of shift cable, and will be large enough to allow bushing to be pressed partially out.



**FIGURE 4**





7. Turn the selector lever cable end over and using a punch push the bushing the rest of the way out of the selector lever cable end. See Figure 5. Proceed to Step 8.

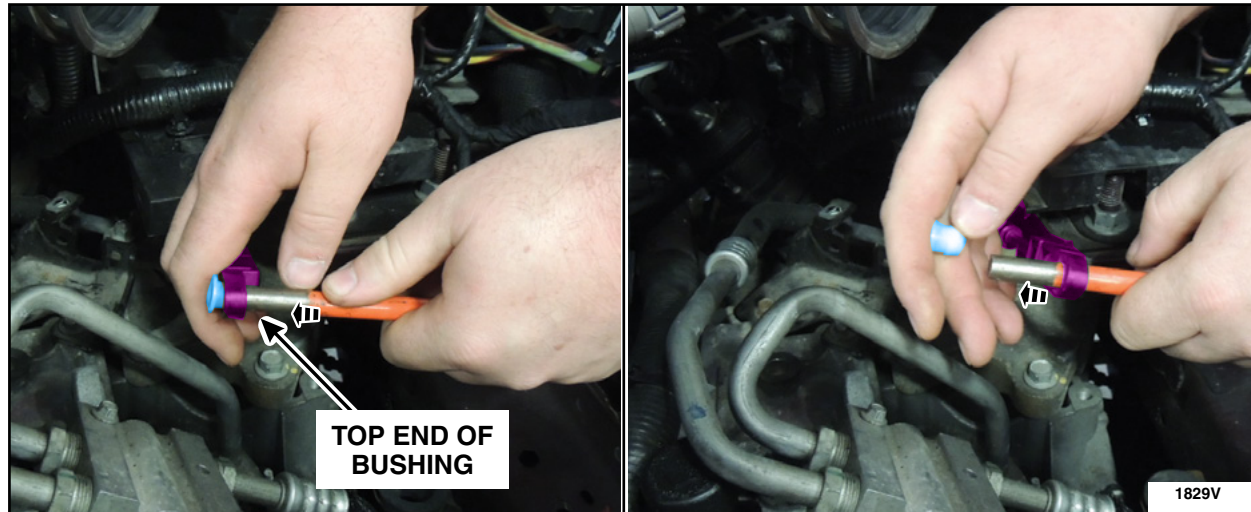


FIGURE 5

**2014-2016 Model Year Vehicles Only**

8. Press out the shifter cable bushing using one of the two methods below.
- Using a 5mm and a 15mm socket with Straight Jaw Adjustable pliers the bushing can be pressed out of the shifter cable end. The 5mm socket will fit into the small part of the bushing on top, the 15mm will go against the bottom of the shifter cable end, make sure to have socket centered with the bushing to allow clearance of the bushing shoulder as it is being pressed out. See Figures 6 and 7.
  - Using a tool such as a Lisle 38350 - Exhaust Hanger Removal plier to press bushing out. By viewing Figure 8 the shoulder of bushing is positioned upward, small end of plier is pressing bushing out. Proceed to Step 8.
    - Use caution not to damage the shifter cable during this procedure.
    - Inspect for damage before installing the new shifter cable bushing.

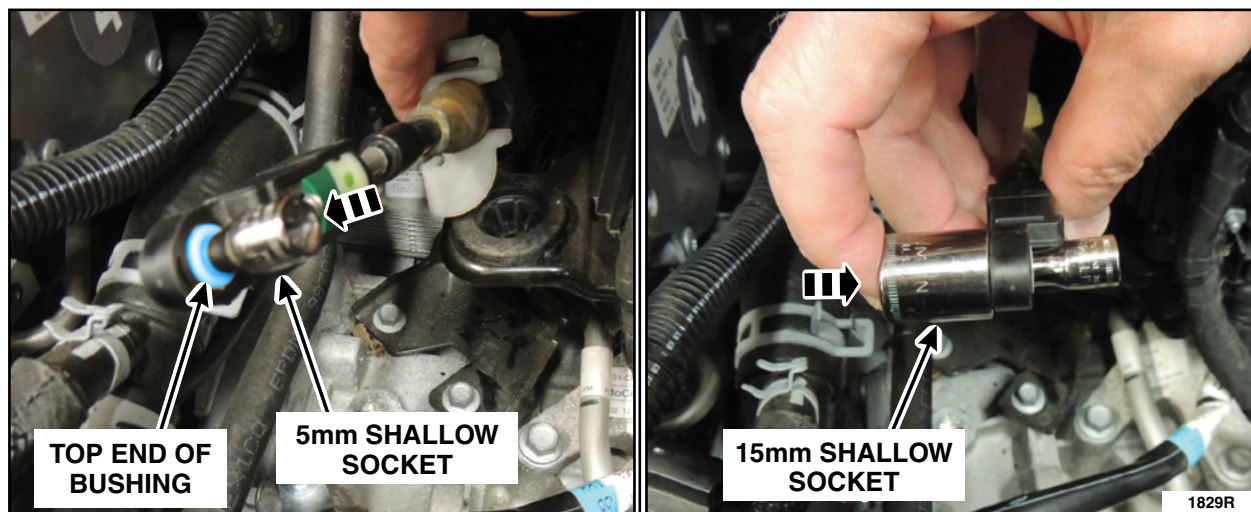


FIGURE 6



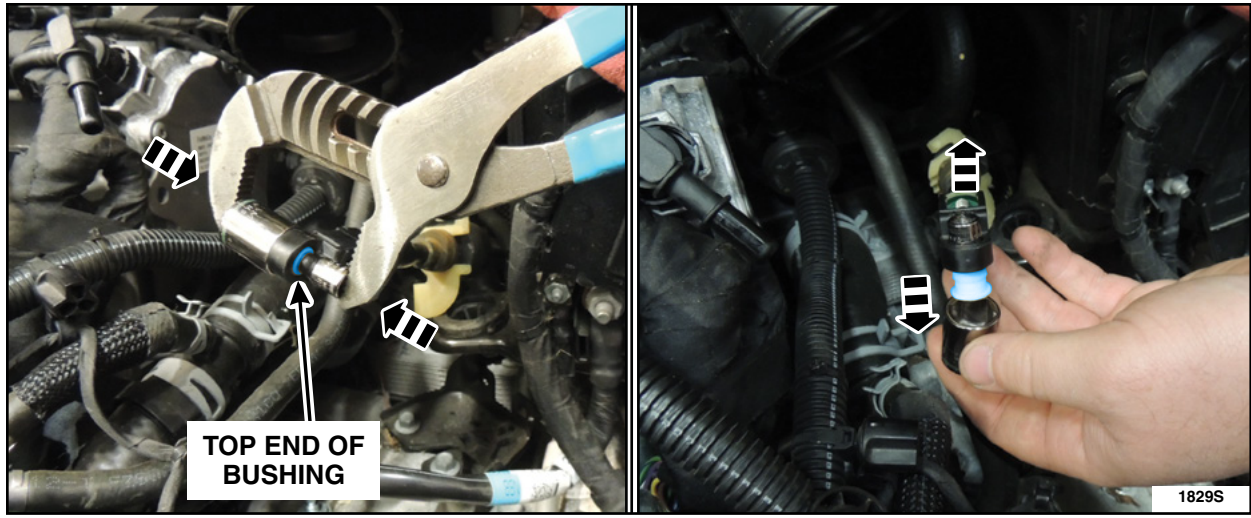


FIGURE 7

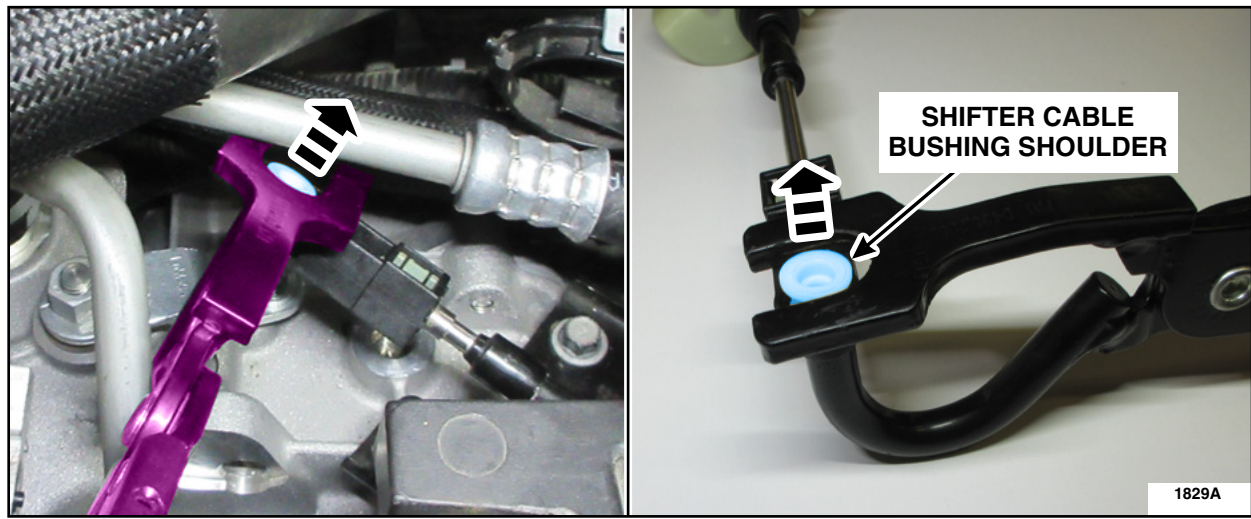


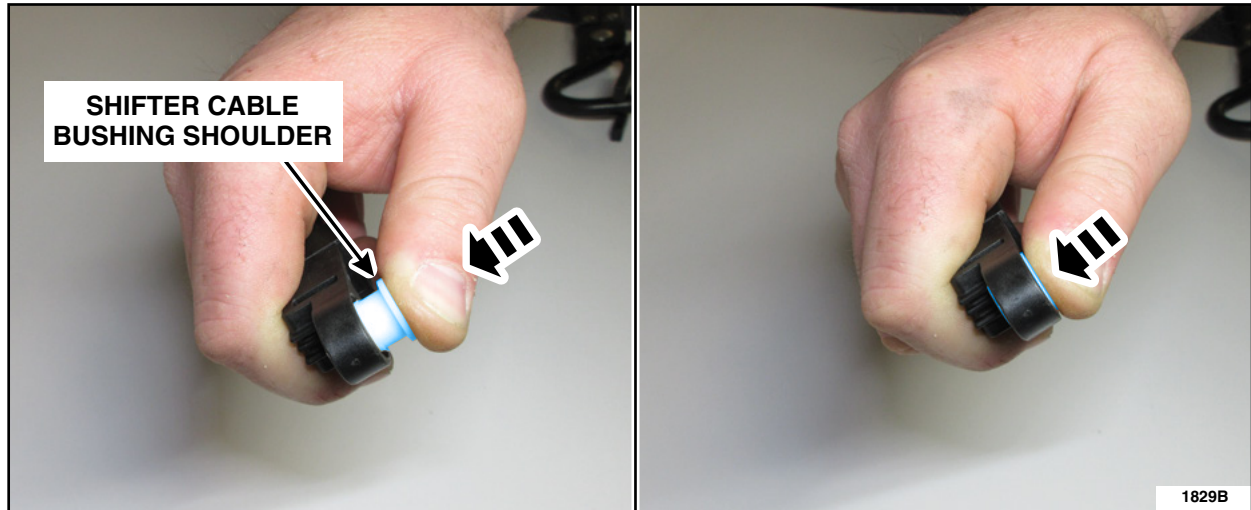
FIGURE 8



**All Vehicles**

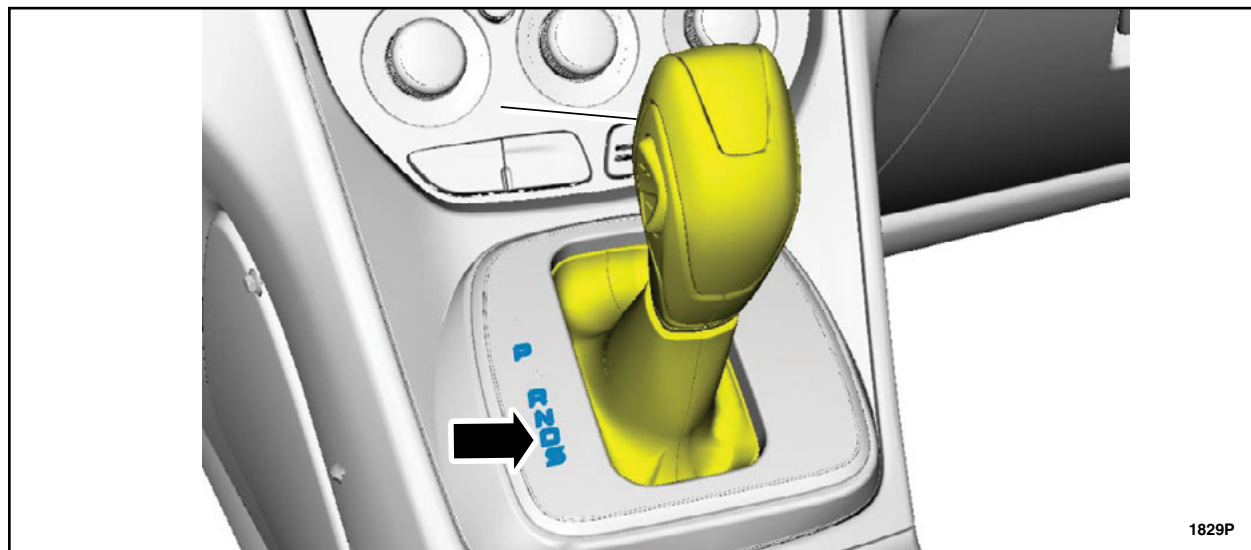
9. Using your hands only, install the new selector lever cable bushing. Do not use any grease to install, the bushing and cable end should be dry. See Figure 9.

**NOTE:** Selector lever cable removed for clarity.



**FIGURE 9**

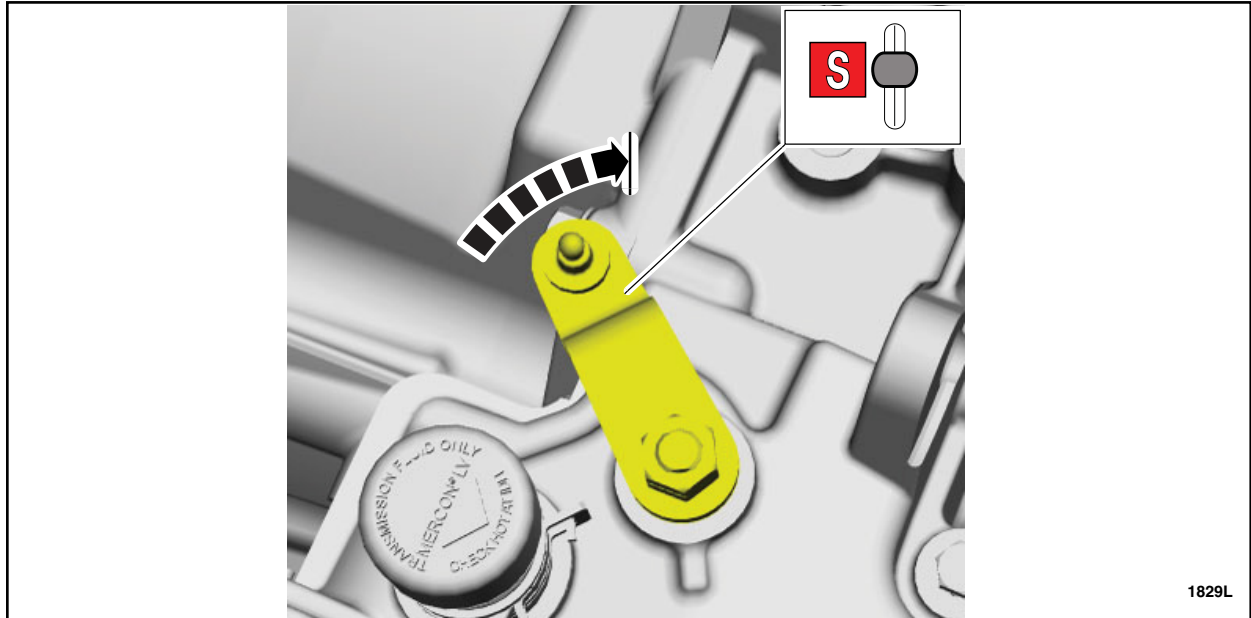
10. The vehicle's transmission gear selector lever should be in Drive position from step 2, if not, position the selector lever to Drive (D). See Figure 10.



**FIGURE 10**

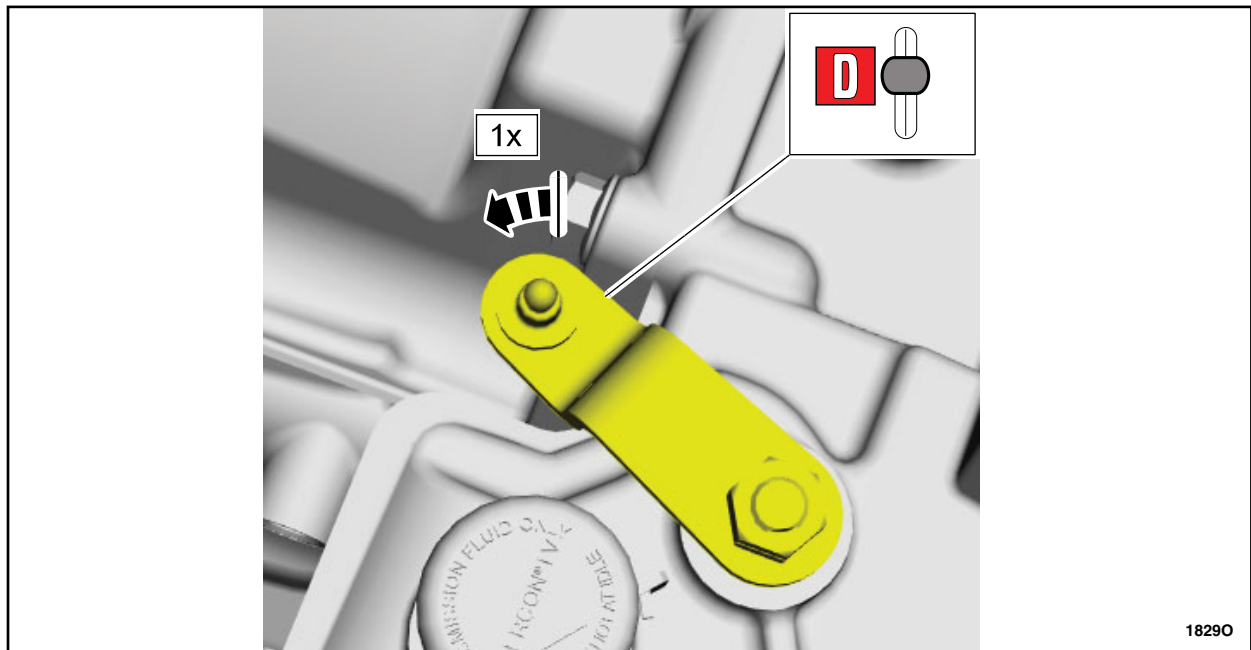


11. Rotate the manual control lever clockwise until it stops. See Figure 11.



**FIGURE 11**

12. Rotate the manual control lever counterclockwise 1 detent into Drive (D). See Figure 12.

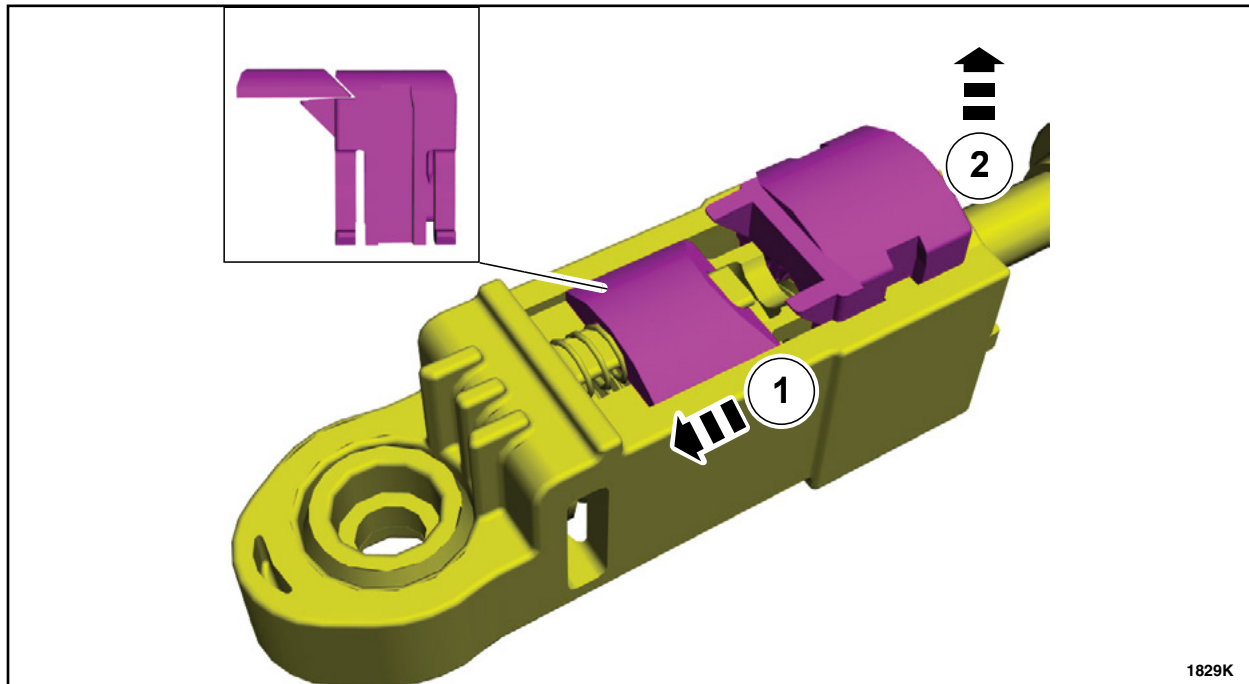


**FIGURE 12**



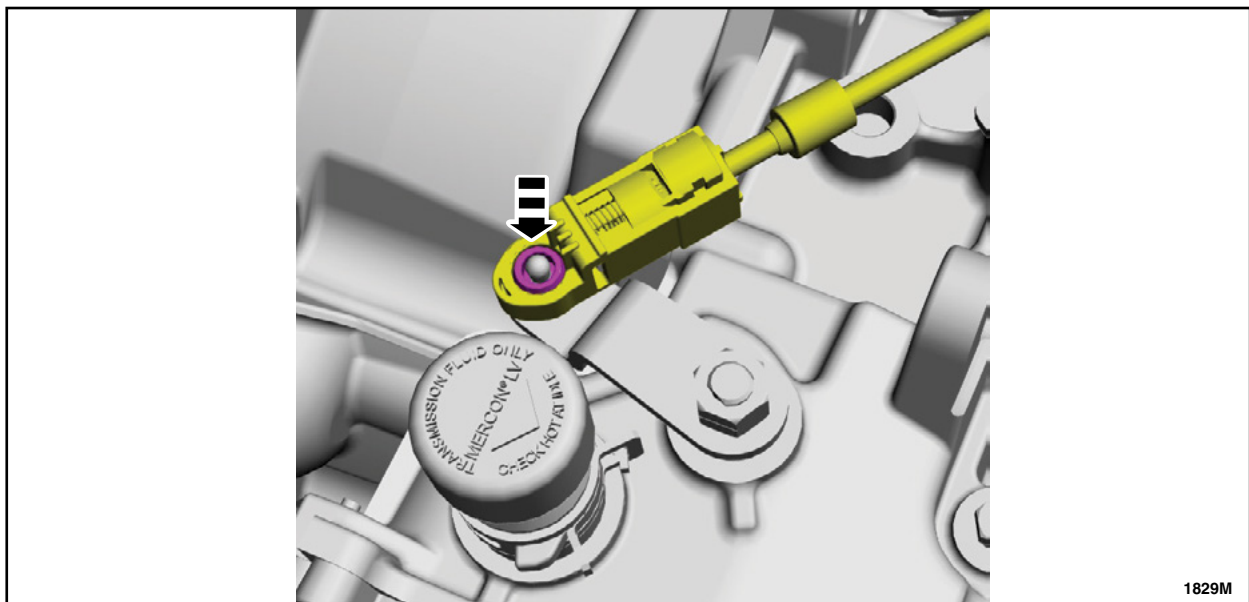
13. Release the selector lever cable adjuster lock. See Figure 13.

1. Carefully pry the adjuster lock tabs outward.
2. While holding the adjuster lock tabs outward, slide the lock out to unlock the selector lever cable.



**FIGURE 13**

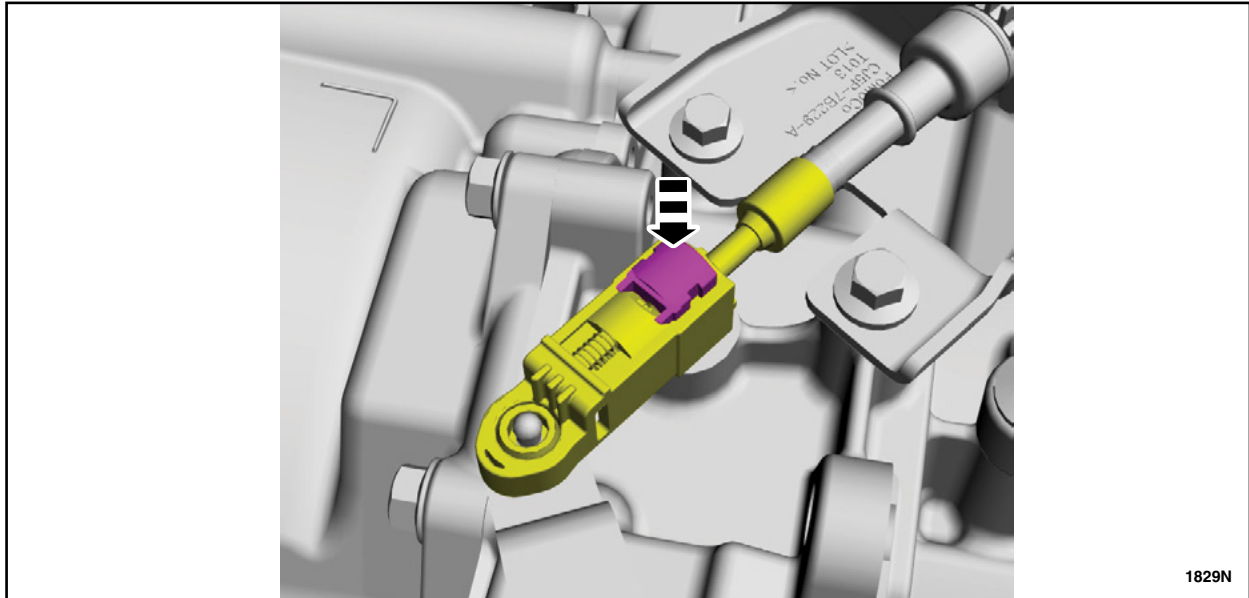
14. Connect the selector lever cable to the manual control lever. See Figure 14.



**FIGURE 14**



15. Slide the adjuster tab in place to lock the selector lever cable. See Figure 15.



**FIGURE 15**

16. Reassemble the vehicle by reversing the removal procedure.
17. Verify that the engine starts in Park (P) and Neutral (N) only and that the reverse lamps illuminate in Reverse (R).



**Ford Motor Company**  
**Recall Reimbursement Plan for 18S20**

*Ford and Lincoln dealers are in the best position to quickly and efficiently process reimbursement requests. However, federal legislation requires all motor vehicle manufacturers to establish processes through which customers may seek recall reimbursement directly from the manufacturer or from the dealers.*

*Regarding the specific reimbursement plan for Recall # 18S20, owners who have paid for service to remedy the defect or noncompliance must have had that service performed prior to February 28, 2019. After this date, if repairs related to this recall are performed by a non-Ford repair facility in an emergency situation, customers must submit any refund requests through their dealership. As required by this federal regulation, Ford Motor Company submitted the details of its latest General Recall Reimbursement Plan in a letter to the National Highway Traffic Safety Administration (NHTSA) in February 2015. The following is the text of that letter and the Plan:*

**General Recall Reimbursement Plan**  
(As submitted to the NHTSA)

Pursuant to the requirements set forth in 49 CFR Part 573 and Part 577 of the Code of Federal Regulations, Ford Motor Company (Ford) is submitting required information pertaining to our general reimbursement plan for the cost of remedies paid for by vehicle owners before they are notified of a related safety recall.

Set forth below is Ford's general plan to reimburse owners and purchasers for costs incurred for remedies in advance of notification of potential safety-related defects or noncompliances pursuant to Part 573.6 (c)(8)(i). This plan has not changed since our February 20, 2015 submission.

**Reimbursement Notification**

Ford's notice to a vehicle owner in accordance with 49 CFR Part 577 will indicate that Ford is offering a refund if the owner paid to have service to remedy the defect or noncompliance prior to a specified ending date. In accordance with Part 573.13 (c)(2), this ending date will be defined as a minimum of ten calendar days after the date on which Ford mailed the last of its Part 577 notifications to owners, and will be indicated in the specific reimbursement plan available to owners for an individual recall. This notice will direct owners to seek eligible reimbursement through authorized dealers or, at their option, directly through Ford at the following address:

Ford Motor Company  
P.O. Box 6251  
Dearborn, MI 48121-6251

Ford notes that this rule allows for the identification of a beginning date for reimbursement eligibility. Under the rule, an owner who paid to remedy the defect or noncompliance prior to the identified beginning date would not be eligible for reimbursement. Ford generally has not established such a beginning date for reimbursement eligibility and does not presently anticipate changing this general policy. However, in any case where Ford determines a beginning date is appropriate, Ford will indicate that date in the owner notice. As permitted by 577.11(e), Ford may not include a reimbursement notification when all vehicles are well within the warranty period, subject to approval by the agency.

## **Costs to be Reimbursed**

For vehicles, reimbursement will not be less than the lesser of:

- The amount paid by the owner for the remedy that specifically addressed and was reasonably necessary to correct the defect or noncompliance that is the subject of the recall, or
- The cost of parts for the remedy (to be no more than the manufacturer's list retail price for authorized part(s), plus associated labor at local labor rates, miscellaneous fees (such as disposal of waste) and taxes.

For replacement equipment, reimbursement will be the amount paid by the owner for the replacement item (limited by the amount of the retail list price of the defective or noncompliant item that was replaced, plus taxes, where the brand or model purchased by the owner was different than the brand or model that was the subject of the recall). If the item of motor vehicle equipment was repaired, the reimbursement provisions identified above for vehicles will apply.

Ford notes that costs incurred by the owner within the period during which Ford's original or extended warranty would have provided for a free repair of the problem will not be eligible for reimbursement, as provided by Part 573.13 (d)(1).

### Entities Authorized to Provide Reimbursement

Ford will continue to use authorized dealers to reimburse owners under the specific reimbursement plans for a particular recall, and will encourage owners to pursue requests for reimbursement directly through dealers to expedite reimbursement. Ford will also provide a mailing address to which customers can, at their option, send requests for reimbursement directly to Ford, as previously noted. Requests for reimbursement sent directly to Ford may take up to 60 days to process. Whether the owner chooses to pursue reimbursement requests through a dealer or directly through Ford, the owner will be directed to submit the required documentation, upon which reimbursement eligibility will be determined.

### **Required Documentation**

The reimbursement determination will depend upon the information provided by the customer. Consistent with Part 573.13 (d)(4) the following information must be submitted:

- Claimant name and address
- Vehicle make, model, and model year
- Vehicle identification number (VIN) and, for replacement equipment, a description of such equipment or, for tires, the model, size and TIN (DOT code)
- Identification of the recall number (either the Ford recall number or the NHTSA recall number)
- Identification of the owner of the recalled vehicle at the time that the pre-notification remedy was obtained
- An original receipt for the pre-notification remedy that includes a breakdown of the amount for parts, labor, other costs and taxes, including costs for the replacement item. Where the receipt covers work other than to address the recall or noncompliance, Ford may require the claimant to separately identify costs that are eligible for reimbursement.
- If the remedy was obtained during the warranty period, documentation indicating that the warranty was not honored or the warranty repair did not correct the problem related to the recall.

Failure to submit all of the above information may result in denial of the reimbursement request.



**Additional Information**

The Part 577 required owner notice will provide a toll-free telephone number through which specific information about the reimbursement plan can be requested from Ford. This general reimbursement plan will be incorporated into notifications pursuant to Part 573.6 by reference. Information specific to an individual recall also may be incorporated into the Part 573.6 notification.