

## AXLES AND SUSPENSION

### ⚠ CAUTION

Moving parts can pinch, crush or cut. Keep clear and use caution.

### ⚠ WARNING

The coach **MUST** be supported per manufacturer's specifications before working underneath. Failure to do so may result in death or serious injury.

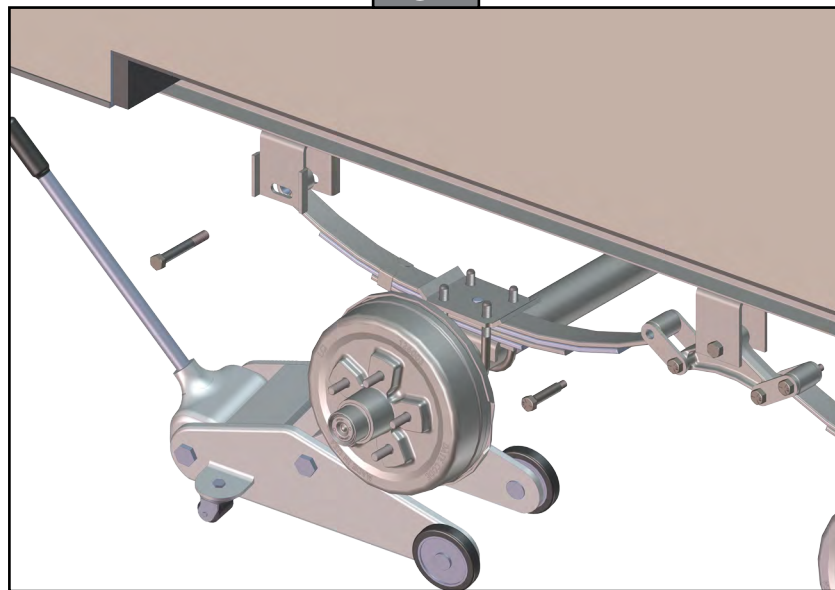
## Tools Required

- Floor Jack
- Jack Stands
- Socket Wrench
- Hammer/Mallet

## Replacement Procedure

1. Support coach according to manufacturer's specifications.
2. Remove tires and wheels from the desired axle.
3. Remove brake lines and wire harnesses going to the axle being replaced.
4. Using a floor jack and jack stands, support the axle and remove the nuts, bolts and shackle links from equalizers on each side of the axle (Fig. 1).

Fig. 1



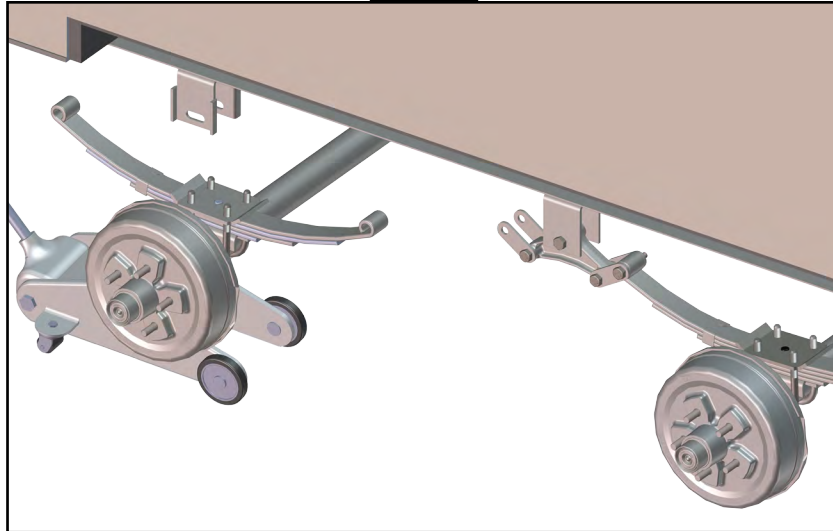
**NOTE:** At this point in the installation, LCI recommends inspecting the equalizer shackle links. If the shackle links are worn, LCI recommends replacing them.

**NOTE:** Shackle links **MUST** be reinstalled using the same shackle orientation used previously.

## AXLES AND SUSPENSION

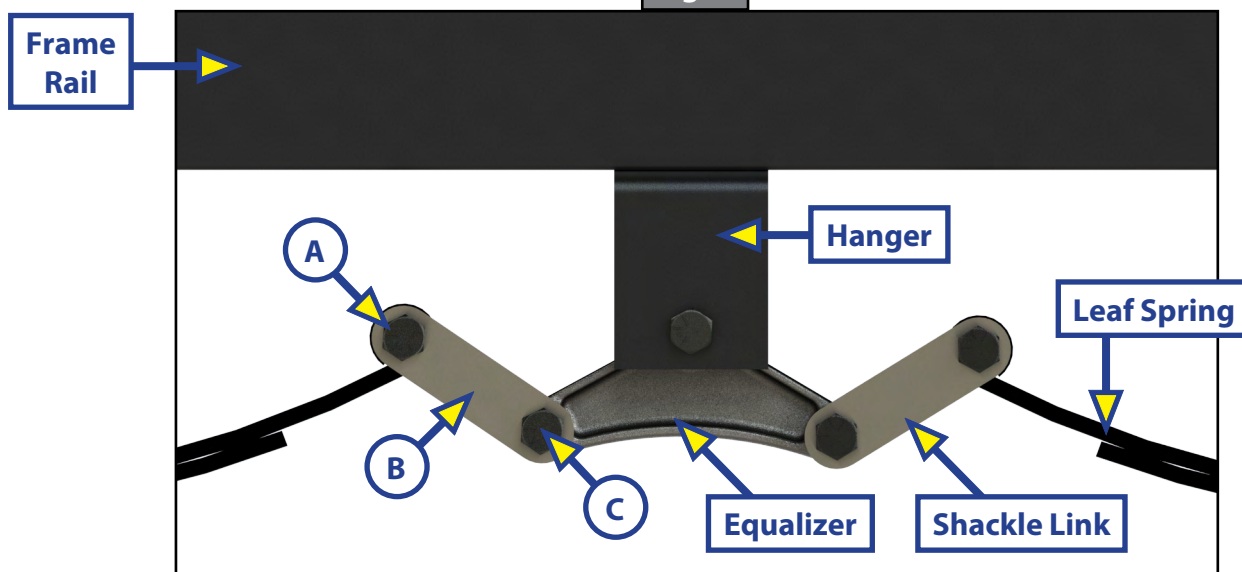
5. Using the floor jack, slide the axle being replaced from underneath the coach.
6. Slide the new axle into position underneath the coach (Fig. 2).

Fig. 2



7. Lift new axle into place.
8. Install new bolts and nuts. Torque to 35 lb-ft.
9. Re-wire brakes.
10. Make sure the shackle links (Fig. 3B) are pointing up and the leaf spring eyes (Fig. 3A) are located above the equalizer eyes (Fig. 3C).

Fig. 3



11. After reassembly is complete, test all function and operation of the axles and brakes before returning the coach to normal use.

As a supplier of components to the RV industry, safety, education and customer satisfaction are our primary concerns. Should you have any questions, please do not hesitate to contact us at (574) 537-8900 or by email at [customerservice@lci1.com](mailto:customerservice@lci1.com). Self-help tips, technical documents, product videos and a training class schedule are available at [www.lci1.com](http://www.lci1.com) or by downloading the MyLCI app.