

April 7, 2018

Version 4

Safety Recall: Left (Driver Side) Second Row Seat Recliner Does Not Lock

Supersedes 18-026, dated March 30, 2018 to revise the information highlighted in **yellow**

There are several campaigns for Odyssey seats. Be sure to do an iN VIN status inquiry and complete any open campaigns.

When installing the bracket, the bolt must be replaced with the new one from the bracket kit.

AFFECTED VEHICLES

Year	Model	Trim	VIN Range
2014-16	Odyssey	ALL	Check the iN VIN status for eligibility.

REVISION SUMMARY

- **Some additions and deletions were made to the WARRANTY CLAIM INFORMATION and REPAIR PROCEDURES.**
- **Significant changes were made to the INSPECTION PROCEDURES. American Honda recommends reading the bulletin in its entirety.**

BACKGROUND

Some 2014-16 Odyssey vehicles have an internal problem in the recliner mechanism on the left (driver side) second row seat that may prevent the seat-back from locking. If a vehicle with an unlocked seat-back is involved in a crash, the seat will not operate as designed to protect the occupant, leading to increased potential for injury or death.

CUSTOMER NOTIFICATION

Owners of affected vehicles will be sent a notification of this campaign.

Do an iN VIN status inquiry to make sure the vehicle is shown as eligible.

Some vehicles affected by this campaign may be in your new or used vehicle inventory.

Failure to repair a vehicle subject to a recall or campaign may subject your dealership to claims or lawsuits from the customer or anyone else harmed as a result of such failure. To see if a vehicle in inventory is affected by this safety recall, do a VIN status inquiry before selling it.

CUSTOMER INFORMATION:The information in this bulletin is intended for use only by skilled technicians who have the proper tools, equipment, and training to correctly and safely maintain your vehicle. These procedures should not be attempted by "do-it-yourselfers," and you should not assume this bulletin applies to your vehicle, or that your vehicle has the condition described. To determine whether this information applies, contact an authorized Honda automobile dealer.

PARTS INFORMATION

Part Name	Part Number	Quantity
Mid Seat (2nd row) Recliner Function Kit (Bracket Kit)	81751-TK8-305	1

WARRANTY CLAIM INFORMATION

Install Bracket Kit

Operation Number	Description	Flat Rate Time	Defect Code	Symptom Code	Template ID	Failed Part Number
8600A5	Do the inspection procedure, install the recliner bracket kit, and reinspect the recliner function.	0.3 hr	6RL00	X0R00	A18026A	81726-TK8-A22

Replace Seat-Back (No Bracket Kit Installed)

NOTE

Damaged recliner mechanisms that require replacing the seat-back are very rare. Order a seat-back and push nut **only** after confirming that replacement is needed.

Operation Number	Description	Flat Rate Time	Defect Code	Symptom Code	Template ID	Failed Part Number
8600A6	All except LX Models: Do the inspection procedure and replace the seat-back frame.	1.0 hr	6RL00	X0R00	A18026B	81726-TK8-A22
8600A6	LX Models Only: Do the inspection procedure and replace the seat-back frame.	1.0 hr	6RL00	X0R00	A18026D	81726-TK8-A02

Install Bracket Kit, Then Replace Seat-Back

NOTE

In very rare cases, after installing the bracket kit, the recliner function may not work, requiring the seat-back to be replaced.

Operation Number	Description	Flat Rate Time	Defect Code	Symptom Code	Template ID	Failed Part Number
8600A7	All except LX Models: Do the inspection procedure and install the recliner bracket kit, reinspect the recliner function, then replace the seat-back frame after the recliner function failed the reinspection.	1.1 hr	6RL00	X0R00	A18026C	81726-TK8-A22
8600A7	LX Models Only: Do the inspection procedure and install the recliner bracket kit, reinspect the recliner function, then replace the seat-back frame after the recliner function failed the reinspection.	1.1 hr	6RL00	X0R00	A18026E	81726-TK8-A02

Skill Level: Repair Technician

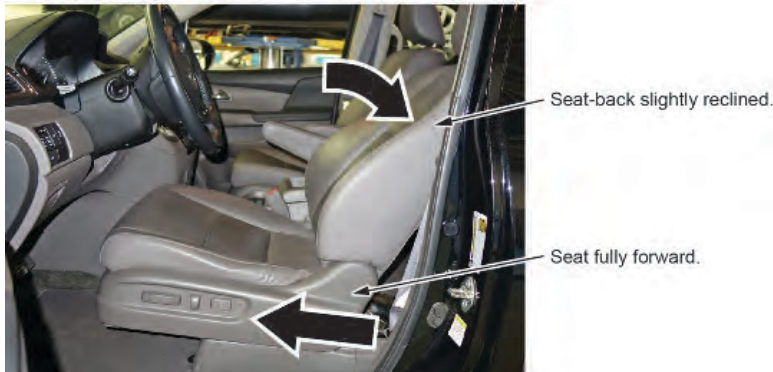
INSPECTION PROCEDURE

NOTE

If the seat recliner binds or becomes stuck at any time during the inspection, replace the seat-back frame using the **REPAIR PROCEDURE - SEAT-BACK FRAME REPLACEMENT**.

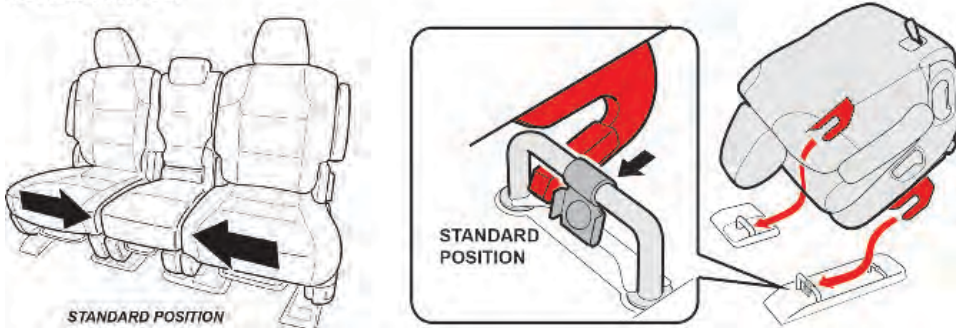
1. Remove any child or booster seats that are installed in the second row center and left seats, and place them in the cargo area for the customer to install. Note which position the seat is installed; Standard (inner) or Wide (outer) position. **If the seat is installed in the wide position, reinstall it in the wide position** before returning the vehicle to the customer for their convenience.
2. **Slide the front seat fully forward, and slightly recline the seat-back.**

FRONT SEAT



3. **If the second row seat is installed in the wide (outer) position, move it to the standard (inner) position.**

SECOND ROW SEAT



4. **Lift the slide lever and slide the second row seat all the way forward.**



5. **Fold down the second row middle seat.**



6. Start with the seat-back in an upright position.



**SEAT-BACK ANGLE
ADJUSTMENT LEVER**

7. Check the seat-back angle adjustment lever function.

7.1. Pull the seat-back angle adjustment lever, and allow the seat-back to fold.

NOTE

Don't let the seat-back slam down.



SEAT-BACK ANGLE
ADJUSTMENT LEVER



- If the seat-back does not fold, folds slowly, or requires assistance to fold it down, the recliner mechanism must be replaced. Go to REPAIR PROCEDURE - SEAT-BACK FRAME REPLACEMENT.
- If the seat folds normally, go to step 7.2.

7.2. Pull the seat-back adjustment lever, and lift up on seat-back to release it from the folded position. Release the adjustment lever, and continue to push the seat-back until it locks in the upright position.



SEAT-BACK ANGLE
ADJUSTMENT LEVER



- If the seat-back does not lift up easily, binds, or requires significant effort to lift it up and push it back to the upright position, the recliner mechanism must be replaced. Go to REPAIR PROCEDURE - SEAT-BACK FRAME REPLACEMENT.
- If the seat-back lifts up and locks normally in the upright position, go to step 8.

8. Sit in the seat, lift the slide lever, and make sure the seat is all the way forward. Using your arms and legs, push against the seat-back to confirm that the seat recliner mechanism holds its position and doesn't recline when a rearward force is applied.

NOTES

Recline the driver's seat as needed to assist applying pressure against the seat-back.



Slide fully forward.



Push back with both arms and legs.

- If the seat-back does not hold its position and/or there is a ratcheting sound, the recliner mechanism must be replaced. Go to REPAIR PROCEDURE - SEAT-BACK FRAME REPLACEMENT.
 - If the seat-back holds its position and there is no ratcheting sound, go to step 9.
9. Check the seat-back angle adjustment lever while sitting in the seat.
- 9.1. While seated, pull the seat-back angle adjustment lever, lean back until the seat is fully reclined, then release the lever.



SEAT-BACK ANGLE ADJUSTMENT LEVER

- If the seat-back recliner binds or requires significant effort to recline, the recliner mechanism must be replaced. Go to REPAIR PROCEDURE - SEAT-BACK FRAME REPLACEMENT.
- If the recliner function operates normally, go to step 9.2.

9.2. While seated, pull the recliner handle to return the seat-back to the upright position and exit the seat.

NOTE

When the seat-back is fully reclined, it contacts the rear side trim panel near the 3rd row cup holder. This may prevent the seat-back from freely returning to the upright position. If this occurs, lift the seat-back until it is not contacting the trim panel and allow the recliner to return to the upright position unassisted.



SEAT-BACK ANGLE ADJUSTMENT LEVER



Lift the seat-back to free it from the trim panel if necessary.



SEAT/TRIM PANEL CONTACT POINT

- After the seat-back is free from the side trim panel, if the seat-back recliner does not fold, binds, or requires continuous assistance to return the seat to the upright position, the recliner mechanism must be replaced. Go to REPAIR PROCEDURE - SEAT-BACK FRAME REPLACEMENT.
- If the seat-back returns to the upright position normally, go to step 10.

10. Check the 3rd row access lever function.

10.1. Pull the 3rd row access lever, and allow the seat-back to fold forward.

NOTES

The seat-back should fold forward as shown. It will not fold flat.



3RD ROW ACCESS LEVER



- If the seat-back does not fold forward by itself, binds, and/or requires assistance to fold forward, the recliner mechanism must be replaced. Go to REPAIR PROCEDURE - SEAT-BACK FRAME REPLACEMENT.
- If the seat-back folds forward normally, go to step 10.2.

10.2. Push the seat-back toward the rear of the vehicle until the seat-back locks in the upright position.



- If the seat-back does not lock in the upright position normally, the recliner mechanism must be replaced. Go to REPAIR PROCEDURE - SEAT-BACK FRAME REPLACEMENT.
- If the seat-back locks in the upright position normally, go to REPAIR PROCEDURE - RECLINER BRACKET KIT.

REPAIR PROCEDURE - RECLINER BRACKET KIT

NOTES

- Put on gloves to protect your hands.
 - Take care not to tear or damage the seat covers.
 - Use the appropriate tool from the KTC trim tool set to avoid damage when removing components.
1. Remove the recliner cover.
 - 1.1. Make sure the seat-back is in an upright position. Using a trim tool and a clean shop towel as shown, remove the 3rd row access lever.

NOTES

- Use a clean shop towel to make sure the recliner cover and 3rd row access lever are not damaged.
- Be careful not to lose the clip on the back of the 3rd row access lever. If the clip is lost, the handle will not lock when you install it.



- 1.2. Lower the seat-back to the folded position.
- 1.3. Remove the seat-back angle adjustment lever handle by inserting a medium length Phillips screwdriver into the handle, then striking the screwdriver handle with your hand to slide the adjustment lever handle off.

NOTES

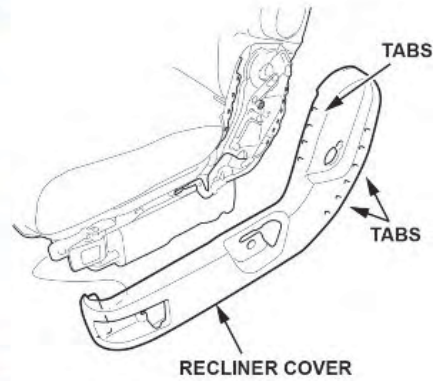
- Place a clean shop towel between the screwdriver and the recliner cover to avoid damaging the recliner cover.
- To avoid damaging the recliner cover, do not strike the screwdriver with a hammer .
- Make sure the recliner lever is pulled up slightly so the handle doesn't hit the recliner cover when it comes off.



1.4. Remove the screws.



1.5. Starting at the back of the recliner cover, insert a trim tool as shown to separate the outer and inner covers.



1.6. Move toward the front of the recliner cover using the trim tool to separate the inner and outer covers.

1.7. Remove the recliner cover.

2. Disconnect the release cable.



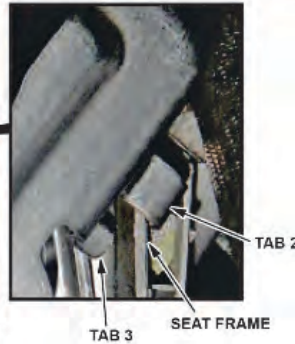
- Remove the bolt. **Do not reuse it. It must be replaced with the new bolt included in the kit.**



- Lift the lever and hold it as shown, then install the bracket, starting at an angle with center tab 2 and lower tab 3 positioned as shown.

Push the lever clockwise, and hold it there.

Install the new bracket on the seat frame..



- Rotate the bracket counterclockwise into position until the bolt hole on the new bracket aligns with the bolt hole in the seat frame.

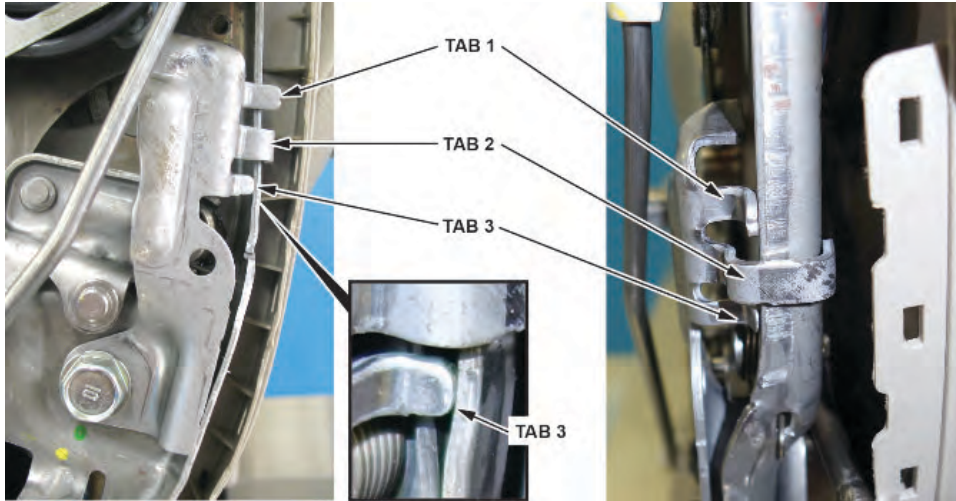
Hook the new bracket onto the seat frame.

Rotate the bracket counterclockwise until the hole in the bracket and the hole in the seat frame line up.



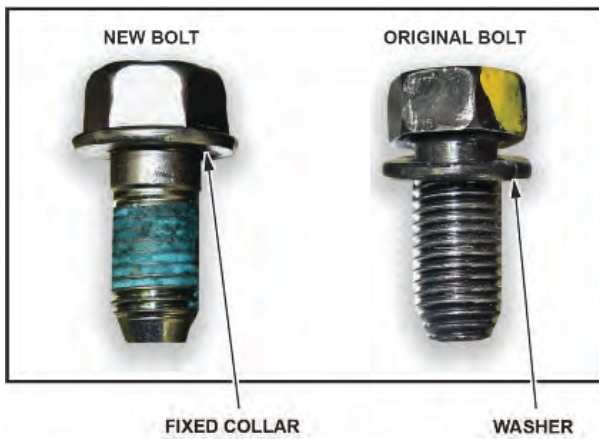
Hole in the bracket and the hole in the seat frame lined up.

6. Check to make sure the three tabs are in position, install and hand tighten the **new bolt from the kit**.



NOTES

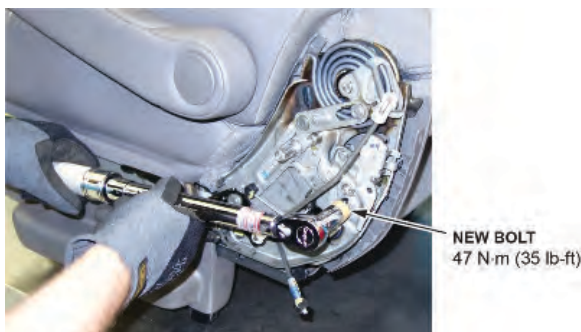
- Tab 1 sits on the edge of the seat frame, tab 2 wraps around the seat frame, and tab 3 is on the inside of the frame.
- **The new bolt has a fixed collar and is coated with threadlock and must be used to install the bracket. Do not use the original bolt.**



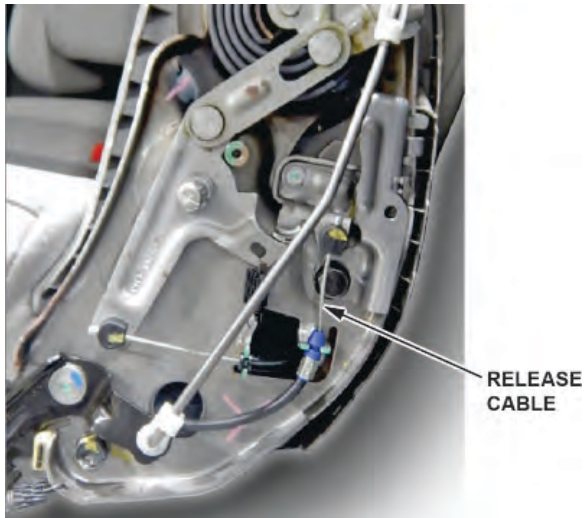
7. Torque the new bolt to **47 N·m (35 lb-ft)**.

NOTE

The bolt is coated with thread lock, which allows bolt adjustment for up to 10 minutes after it is initially torqued. After 10 minutes, the thread lock sets. If the bolt needs adjustment after 10 minutes, replace it with a new one.



8. Install the lock release cable.



9. Temporarily install the 3rd row access lever. Install the seat if it was removed from the vehicle.



10. Confirm the seat-back recliner function activates using the seat-back angle adjustment lever, the 3rd row access lever and the release strap.

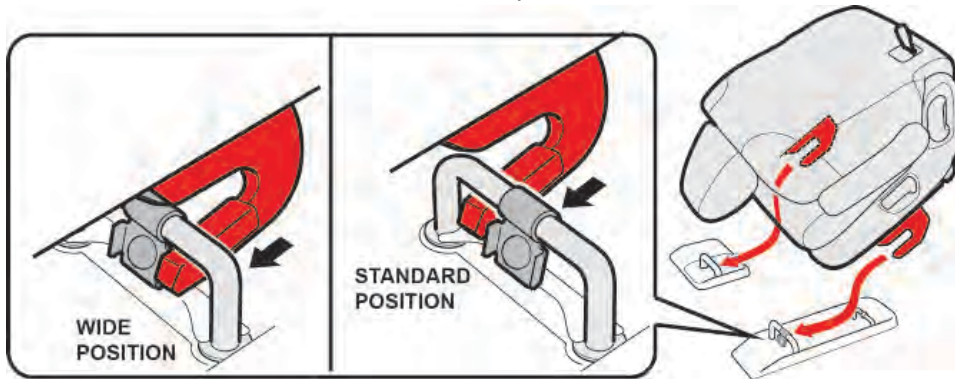


- If the seat-back recliner does not activate with the seat-back angle adjustment lever, the 3rd row access lever and the release strap, replace the recliner mechanism. Go to SEAT-BACK FRAME REPLACEMENT.
 - If the seat-back recliner activates using the seat-back angle adjustment lever, the 3rd row access lever and the release strap, go to step 11.
11. Remove the 3rd row access lever and install the recliner cover in the reverse order of removal.
12. If the second row seat was installed in the wide (outer) position noted in step 1 of the INSPECTION PROCEDURE, move it to the wide (outer) position and do the following to make sure it is properly secured.

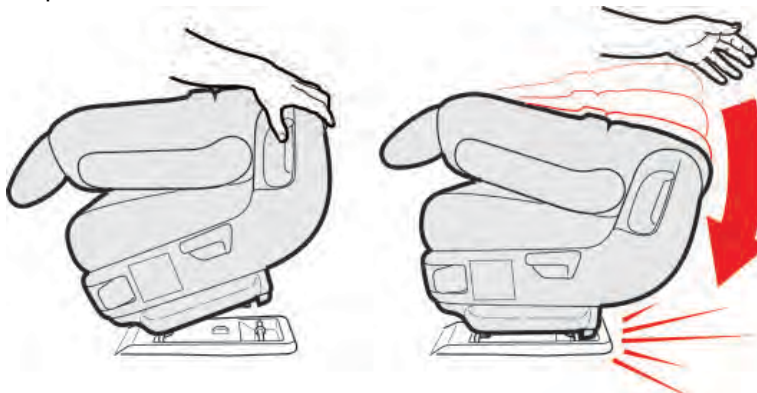
NOTE

Make sure S/B 18-021, *Safety Recall: Second Row Outer Seat Striker Bracket (Seat Tipping)* is completed.

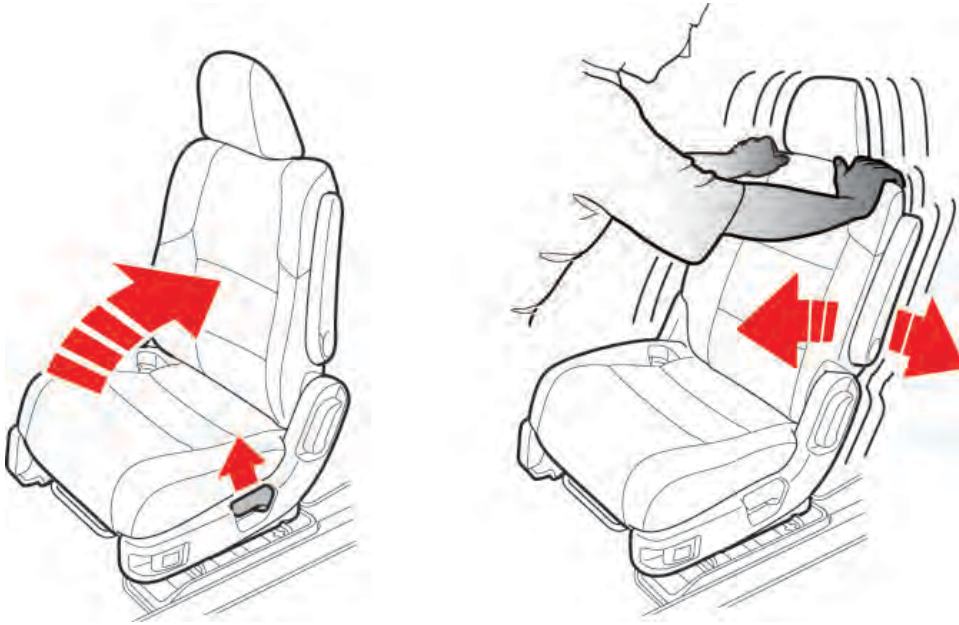
- 12.1. With the seat-back folded down and adjusted to the rearmost position, insert the hooks into the floor strikers with the outer hook in the standard or wide position.



- 12.2. After confirming both front hooks are fully inserted into the front strikers, begin to lower the seat then allow it to drop and lock to the rear floor strikers.



12.3. Raise the seat-back to an upright position, then rock the seat back and forth to confirm both the inner and outer latches are securely locked into position.



REPAIR PROCEDURE - SEAT-BACK FRAME REPLACEMENT

NOTES

- Put on gloves to protect your hands.
 - Take care not to tear or damage the seat covers.
 - Use the appropriate tool from the KTC trim tool set to avoid damage when removing components.
1. Note which position the seat is installed; Standard (inner) or Wide (outer) position so that you can reinstall the seat in the same position after the repair.
 2. Remove the second row seat.
 3. If not already done, remove the recliner cover.
- 3.1. Make sure the seat-back is in an upright position. Using a trim tool and a clean shop towel as shown, remove the 3rd row access lever.

NOTES

- Use a clean shop towel to make sure the recliner cover and 3rd row access lever are not damaged.
- Be careful not to lose the clip on the back of the 3rd row access lever. If the clip is lost, the lever will not lock when you install it.



- 3.2. Lower the seat-back to the folded position.
- 3.3. Remove the seat-back angle adjustment lever handle by inserting a medium length Phillips screwdriver into the handle, then striking the screwdriver handle with your hand to slide the adjustment lever handle off.

NOTES

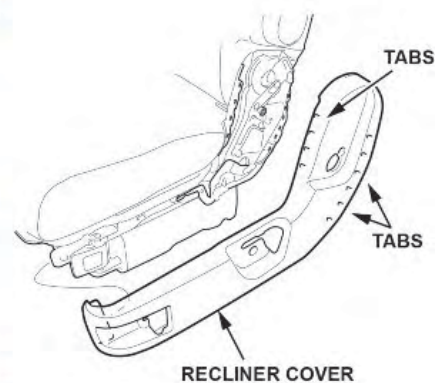
- Place a clean shop towel between the screwdriver and the recliner cover to avoid damaging the recliner cover.
- To avoid damaging the recliner cover, do not strike the screwdriver with a hammer.
- Make sure the recliner lever is pulled up slightly so the handle doesn't hit the recliner cover when it comes off.



- 3.4. Remove the screws.



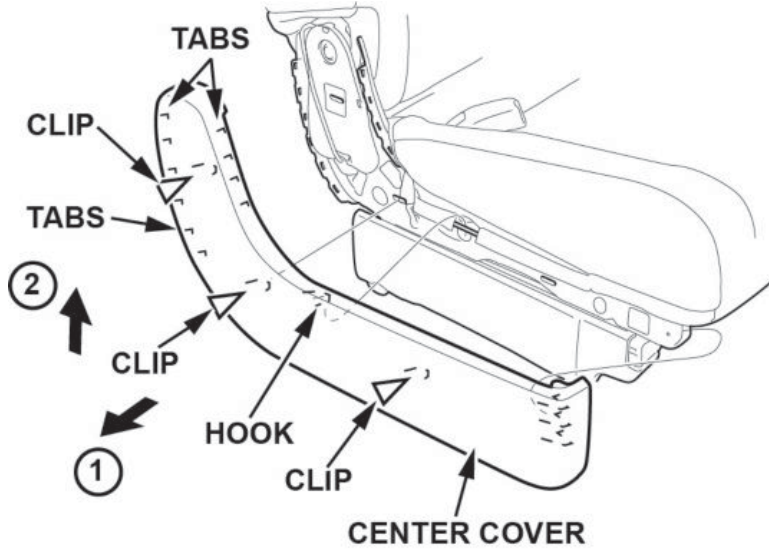
- 3.5. Starting at the back of the recliner cover, insert a trim tool as shown to separate the outer and inner covers.



- 3.6. Move toward the front of the recliner cover using the trim tool to separate the inner and outer covers.
- 3.7. Remove the recliner cover.

4. Remove the center cover.

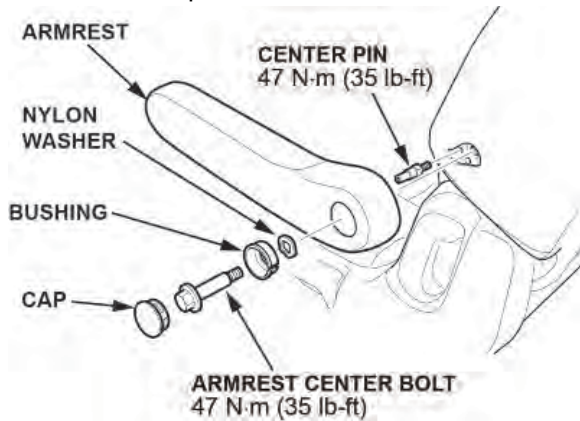
4.1. Detach the clips.



4.2. Pull up the cover, then release the tabs and the hook.

5. Remove the armrest **and armrest center pin.**

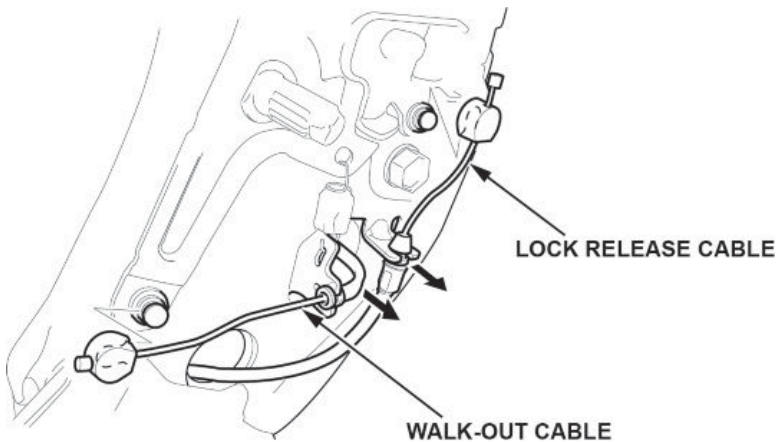
5.1. Remove the cap with a trim tool.



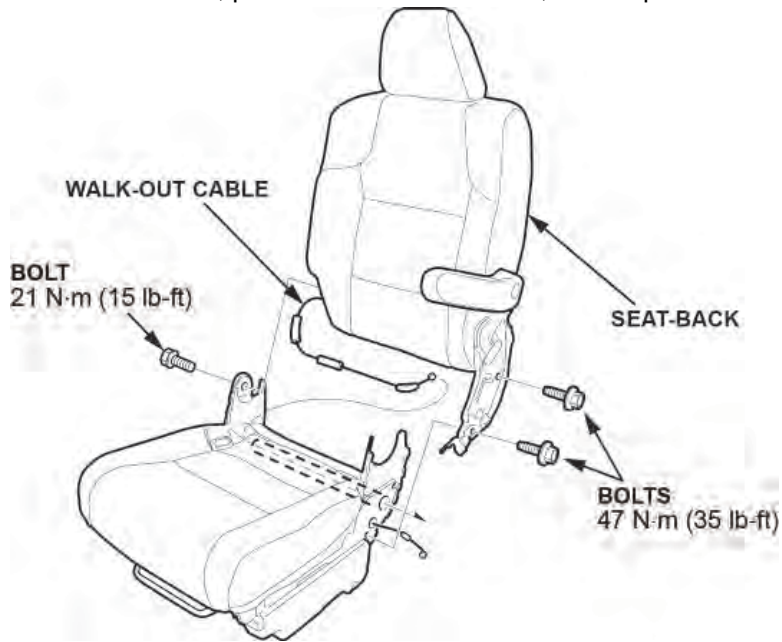
5.2. Remove the armrest center bolt and , then remove the armrest.

5.3. Remove the center pin.

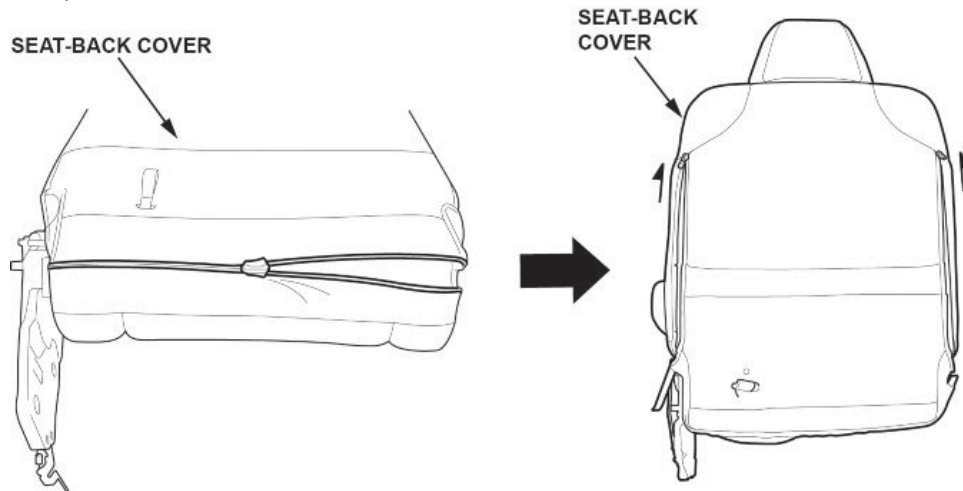
6. Disconnect the lock release cable and the walk-out cable from the seat-back frame.



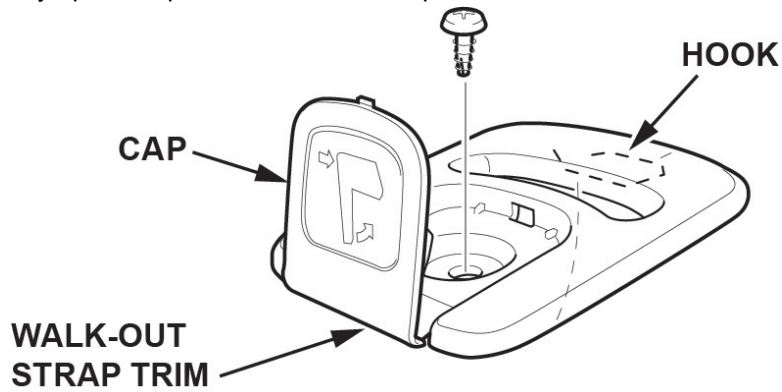
7. Remove the bolts, pull out the walk-out cable, then separate the seat-back.



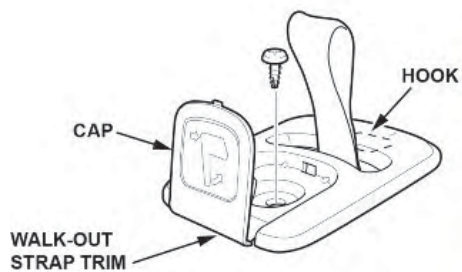
8. Unzip the bottom and both sides of the seat-back cover.



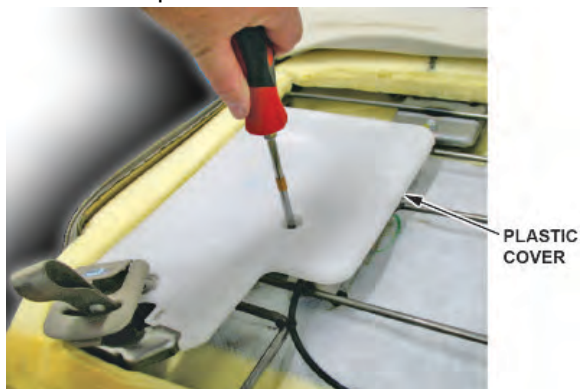
9. Pry up the cap on the walk-out strap trim, and remove the screw.



10. Feed the walk-out strap trim through the opening in the seat cover.



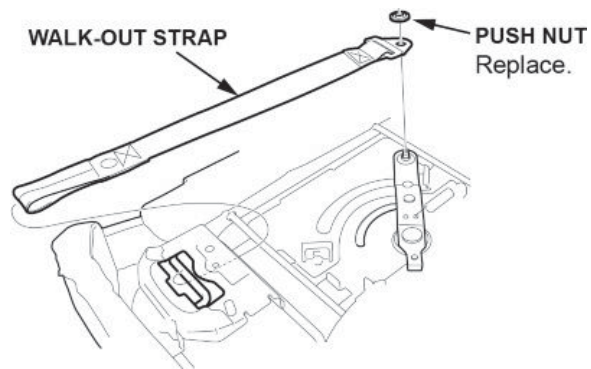
11. Remove the plastic cover.



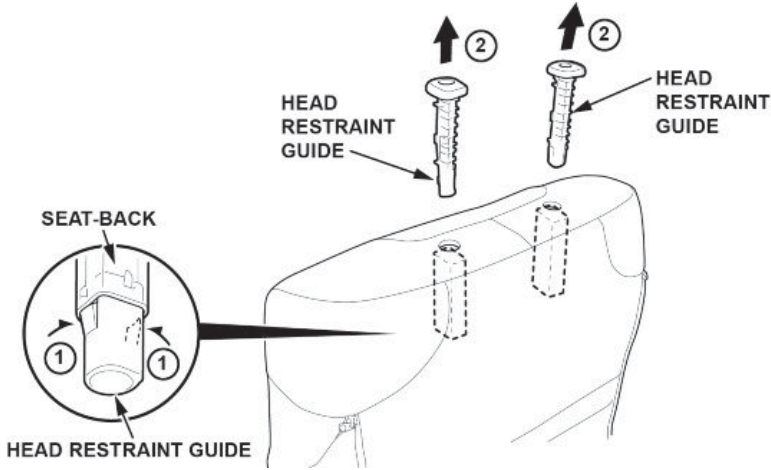
12. Remove the push nut, then remove the walk-out strap.

NOTE

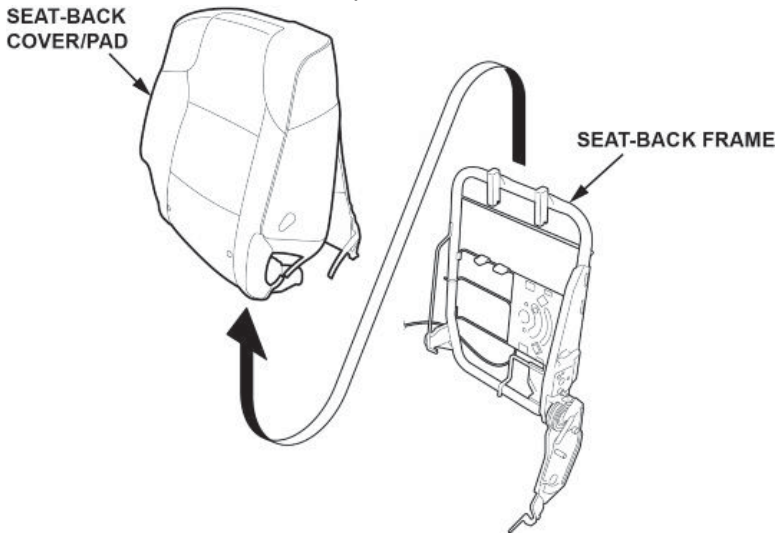
Replace the push nut you removed with a new one.



13. Pinch the tabs on the ends of the head restraint guides, and remove them from the seat-back.



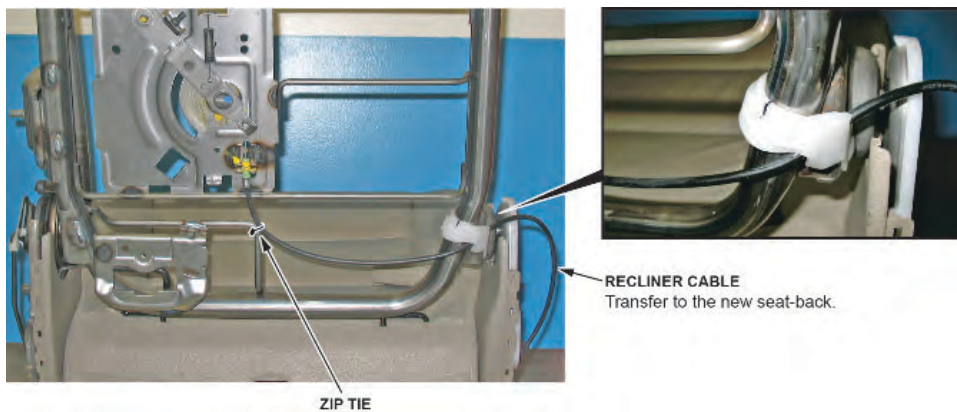
14. Remove the seat-back cover/pad from the seat-back frame.



15. Cut the zip tie, and disconnect the plastic clamp. Then disconnect the recliner cable and install it onto the new seat-back recliner mechanism.

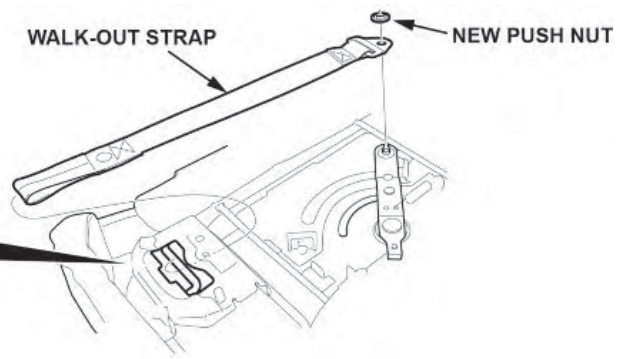
NOTE

Use a new zip-tie to secure the recliner cable when reassembling the seat.

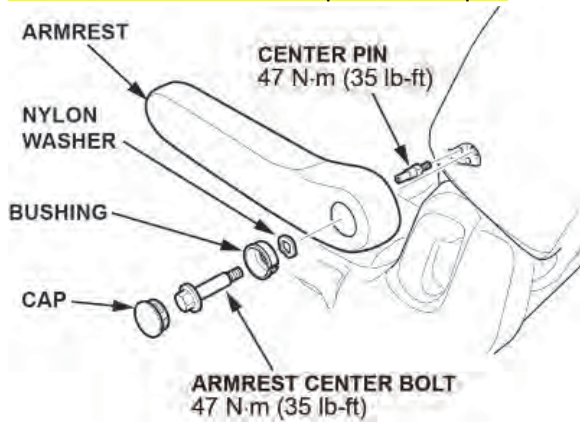


16. Assemble the seat-back in the reverse order of removal, and note the following:

- Route the walk-out strap under the metal bar as shown.



- Install the walk-out strap using a new 6 mm push nut.
- **Install the armrest center pin and torque it to the specified torque, then install the armrest and tighten the armrest center bolt to the specified torque.**

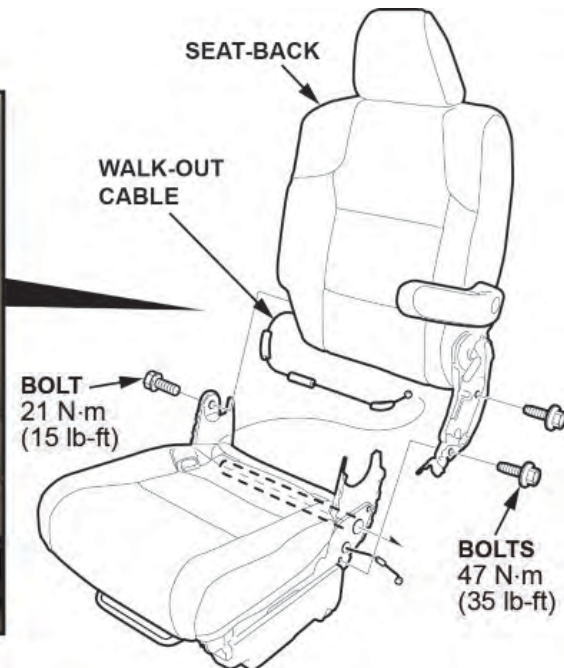


17. Install the seat-back onto the base.

NOTE

The bracket kit **does not** need to be installed on a new seat-back frame.

WALK-OUT CABLE ROUTING



18. Install the seat, and temporarily install the 3rd row access lever.



3RD ROW ACCESS LEVER

19. Confirm the seat-back recliner function activates using the seat-back angle adjustment lever, the 3rd row access lever, and the release strap.



SEAT-BACK ANGLE ADJUSTMENT LEVER

3RD ROW ACCESS LEVER

RELEASE STRAP

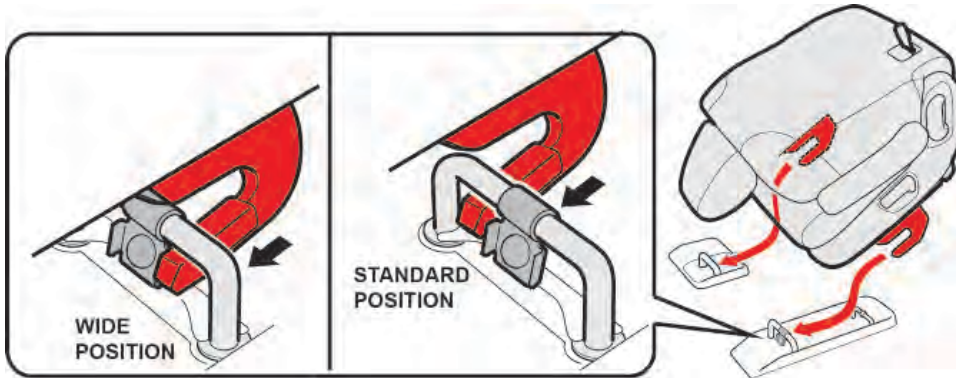
20. Remove the 3rd row access lever, and install the recliner cover and center cover in the reverse order of removal.

21. If the second row seat was installed in the wide (outer) position noted in step 1 of the INSPECTION PROCEDURE, move it to the wide (outer) position and do the following to make sure it is properly secured.

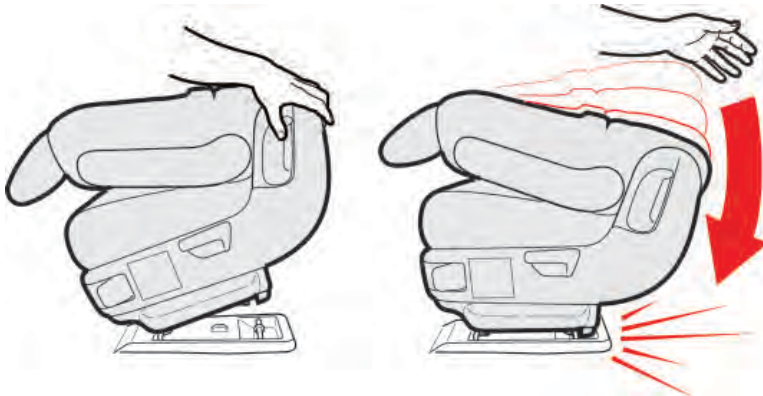
NOTE

Make sure S/B 18-021, *Safety Recall: Second Row Outer Seat Striker Bracket (Seat Tipping)* is completed.

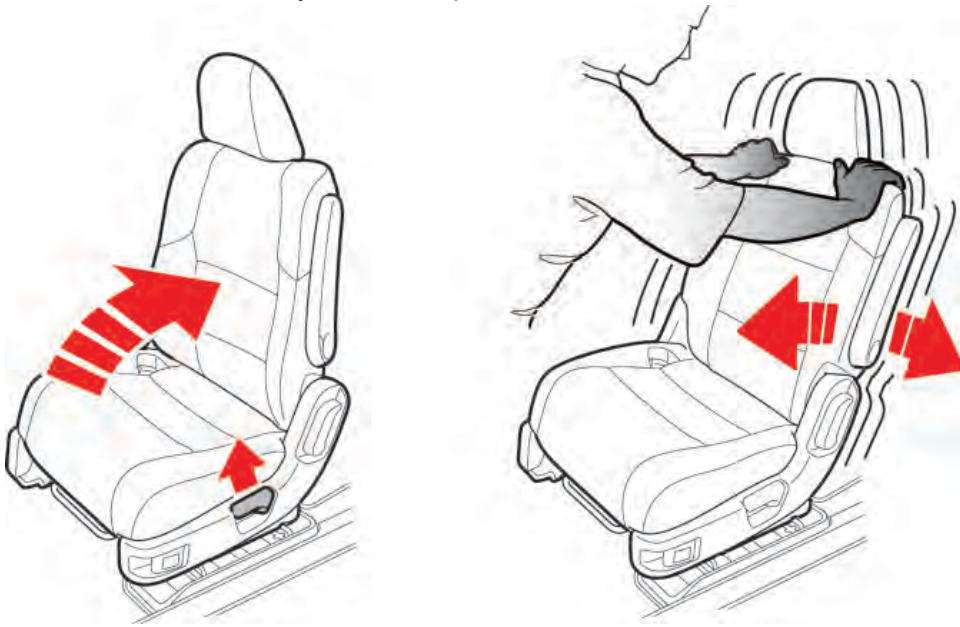
- 21.1. With the seat-back folded down and adjusted to the rearmost position, insert the hooks into the floor strikers with the outer hook in the standard or wide position.



- 21.2. After confirming both front hooks are fully inserted into the front strikers, begin to lower the seat then allow it to drop and lock to the rear floor strikers.



21.3. Raise the seat-back to an upright position, then rock the seat back and forth to confirm both the inner and outer latches are securely locked into position.



END