

H074NAS1

**TECHNICAL BULLETIN**

21 MAR 2018



© Jaguar Land Rover North America, LLC

NOTE: The information in Technical Bulletins is intended for use by trained, professional Technicians with the knowledge, tools, and equipment required to do the job properly and safely. It informs these Technicians of conditions that may occur on some vehicles, or provides information that could assist in proper vehicle service. The procedures should not be performed by 'do-it-yourselfers'. If you are not a Retailer, do not assume that a condition described affects your vehicle. Contact an authorized Jaguar service facility to determine whether this bulletin applies to a specific vehicle.

**INFORMATION****SECTION:**

206-03: Front Disc Brake

**SUBJECT/CONCERN:**

SAFETY RECALL: Brake Hose Bracket

**AFFECTED VEHICLE RANGE:**

MODEL:	MODEL YEAR:	VIN:	ASSEMBLY PLANT:
E-PACE (X540)	2018	Z01546-Z06323	Graz (Austria)

**MARKETS:**

## NORTH AMERICA

**CONDITION SUMMARY:****SITUATION:**

An issue has been identified on certain vehicles within the listed Affected Vehicle Range with the assembly of the front left and right brake hose brackets. The brake hose brackets were subject to unauthorized plant manufacturing operations. This unauthorized operation has taken the bracket position away from design specification.

Vehicles in this condition may not meet design specification clearance requirements between the front wheel or tire and the brake hose. In certain scenarios this may lead to the brake hose coming into contact with the front wheel or tire, leading to abrasion and ultimately a loss of brake fluid. Brake fluid loss will illuminate a red warning triangle on the Instrument Cluster (IC) instructing the driver to seek qualified assistance. If sufficient brake fluid leaks out, this will ultimately result in extended brake pedal travel combined with reduced braking performance in the corresponding brake circuit and vehicle stopping distances will increase.

Loss of one braking circuit could compromise vehicle stability and significantly increase the risk of an accident.

**ACTION:**

Retailers are required to **HOLD** affected new vehicles that are within your control and refrain from releasing the vehicles for **new vehicle sale** pending completion of the Workshop Procedure detailed in this Technical Bulletin. Unsold vehicles should have this performed as part of the Pre-Delivery Inspection (PDI) process but **must** have it completed prior to vehicle handover to the customer.

Affected vehicles already in the hands of customers should be updated at the next available opportunity.

**PARTS:** **NOTE:**

Order only the expected percentage demand of parts identified.

DESCRIPTION	PART NO./SUNDRY CODE	QTY./VALUE	EXPECTED PERCENTAGE DEMAND
Bracket - Brake hose support - Right	J9C9321	1	60
Bracket - Brake hose support - Left	J9C9322	1	60

### SPECIAL TOOLS:

Refer to TOPIx Workshop Manual/Workshop Procedure for any required special tools.

### WARRANTY:

#### NOTE:

Use the Jaguar Land Rover claims submission system to make sure that a vehicle is affected by this program prior to undertaking any rework action.

At the time of confirming a booking for vehicle repair, make sure that **all** outstanding Recall and Service Actions are identified to ensure the correct parts are available and adequate workshop time is allocated for repairs to be completed at one visit.

Warranty claims must be submitted quoting the Program Code and the relevant Option Code; this will result in payment of the stated time. The SRO and parts information is included for information only. The Option Code(s) that allows for the drive in/drive out allowance may only be claimed if the vehicle is brought back into the workshop for this action alone to be undertaken.

Repair procedures are under constant review and therefore times / prices are subject to change; those quoted here must be taken as guidance only. Use the Jaguar Land Rover claims submission system to obtain the latest repair time.

Warranty claims must be submitted or payment within 30 calendar days of completion of the repair.

PROGRAM CODE	OPTION CODE	DESCRIPTION	SRO	TIME (HOURS)	PARTS/SUNDRY CODE	QTY./VALUE
--------------	-------------	-------------	-----	--------------	-------------------	------------

PROGRAM CODE	OPTION CODE	DESCRIPTION	SRO	TIME (HOURS)	PARTS/SUNDRY CODE	QTY./VALUE
H074	A	Inspect the bracket, measure the clearance, release vehicle if clearance is less than the maximum allowance	05.10.20	0.2	-	-
H074	B	Inspect the bracket, measure the clearance, release vehicle if clearance is less than the maximum allowance Drive in/drive out	05.10.20 10.10.10	0.2 0.2	- -	- -
H074	C	Inspect the bracket, measure the clearance, replace the brake hose bracket - Single - Right bracket	70.91.60	0.3	J9C9321	1
H074	D	Inspect the bracket, measure the clearance, replace the brake hose bracket - Single - Right bracket Drive in/drive out	70.91.60 10.10.10	0.3 0.2	J9C9321 -	1 -
H074	E	Inspect the bracket, measure the clearance, replace the brake hose bracket - Single - Left bracket	70.91.60	0.3	J9C9322	1
H074	F	Inspect the bracket, measure the clearance, replace the brake hose bracket - Single - Left bracket Drive in/drive out	70.91.60 10.10.10	0.3 0.2	J9C9322 -	1 -
H074	G	Inspect the bracket, measure the clearance, replace the brake hose brackets - Pair	70.91.61	0.4	J9C9321 J9C9322	1 1
H074	H	Inspect the bracket, measure the clearance, replace the brake hose brackets - Pair Drive in/drive out	70.91.61 10.10.10	0.4 0.2	J9C9321 J9C9322 -	1 1 -

Normal Warranty policies and procedures apply.

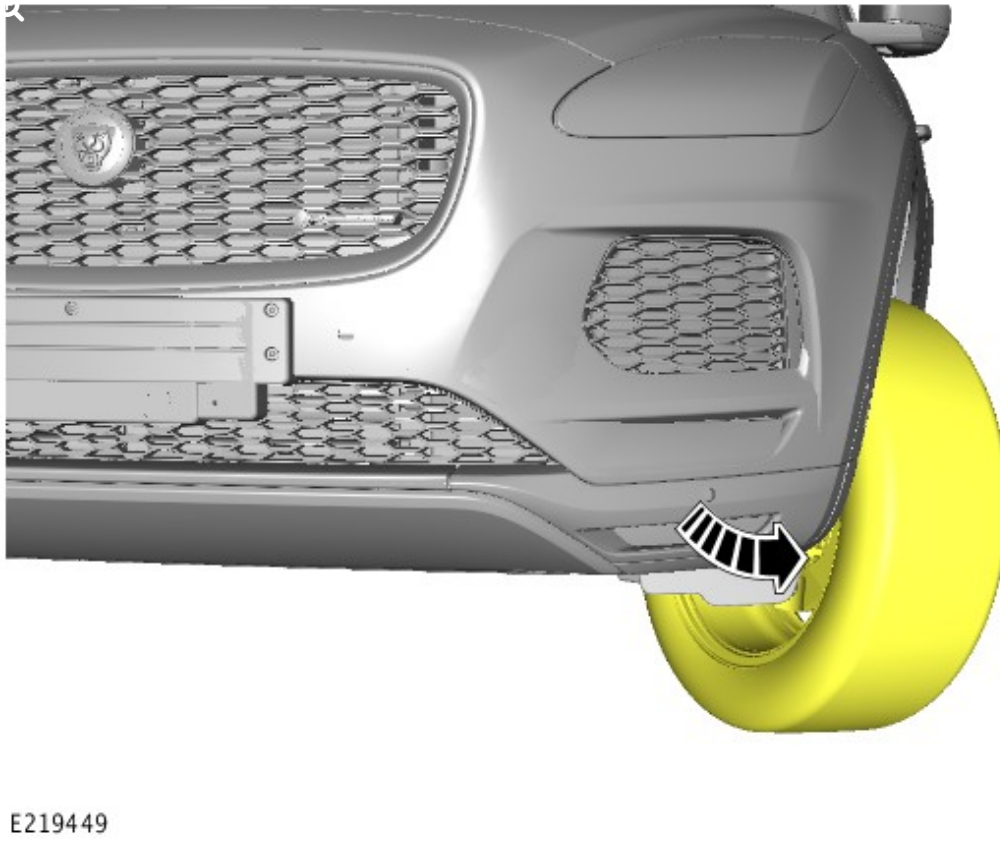
**WORKSHOP PROCEDURE 'A' - VEHICLES WITH 18" WHEELS ONLY:**

**NOTES:**

- Some variation in the illustrations may occur, but the essential information is always correct.
- Some components shown removed for clarity.

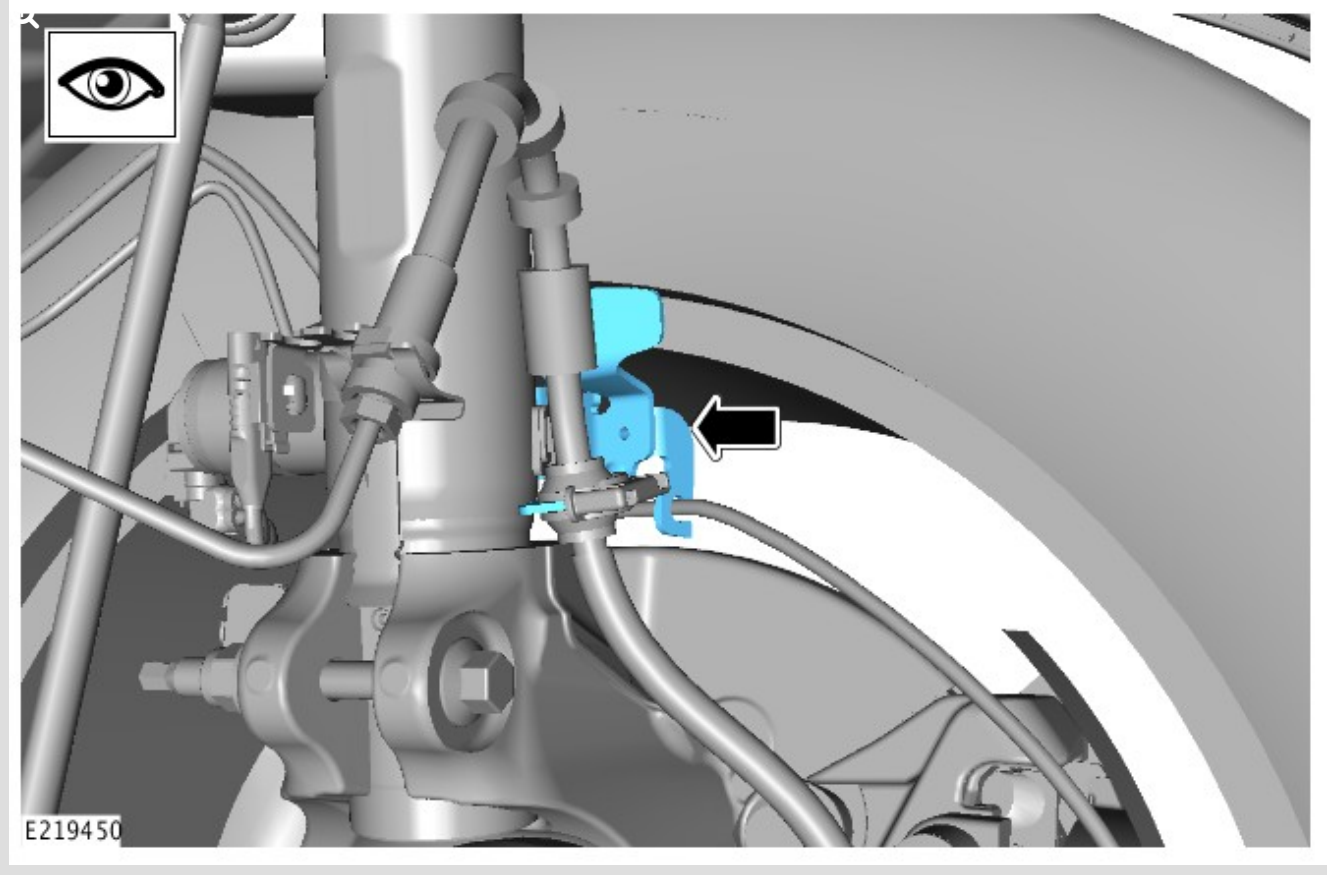
1 Raise the vehicle on a ramp.

2



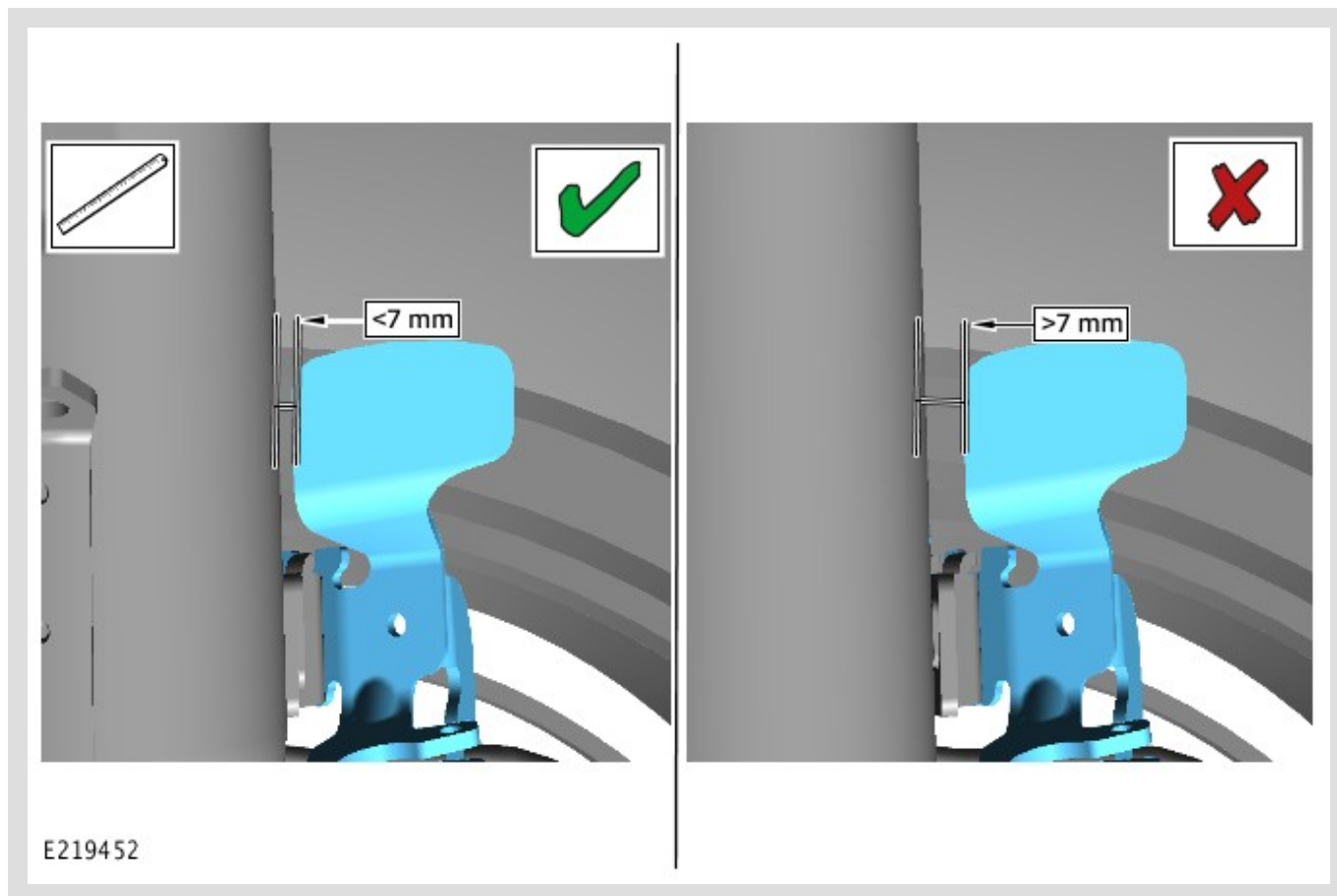
Turn the wheel and tire assembly as shown.

3



Locate the front left brake hose support bracket.

4



Measure and record the gap between the brake hose support bracket and the shock absorber.

5

Repeat Steps 1-4 to the other side of the vehicle.

- If the gap between the brake hose support bracket and the shock absorber is **7 mm or less (✓) on both sides of the vehicle**, no repair is necessary. go to Step 10.
- If the gap between the brake hose support bracket and the shock absorber is **more than 7 mm (X) on either side of the vehicle**, go to Step 6.

6

Remove the wheel and tire assembly (see TOPIx Workshop Manual section 204-04: Removal and Installation - Wheels and Tires - Wheel and Tire).

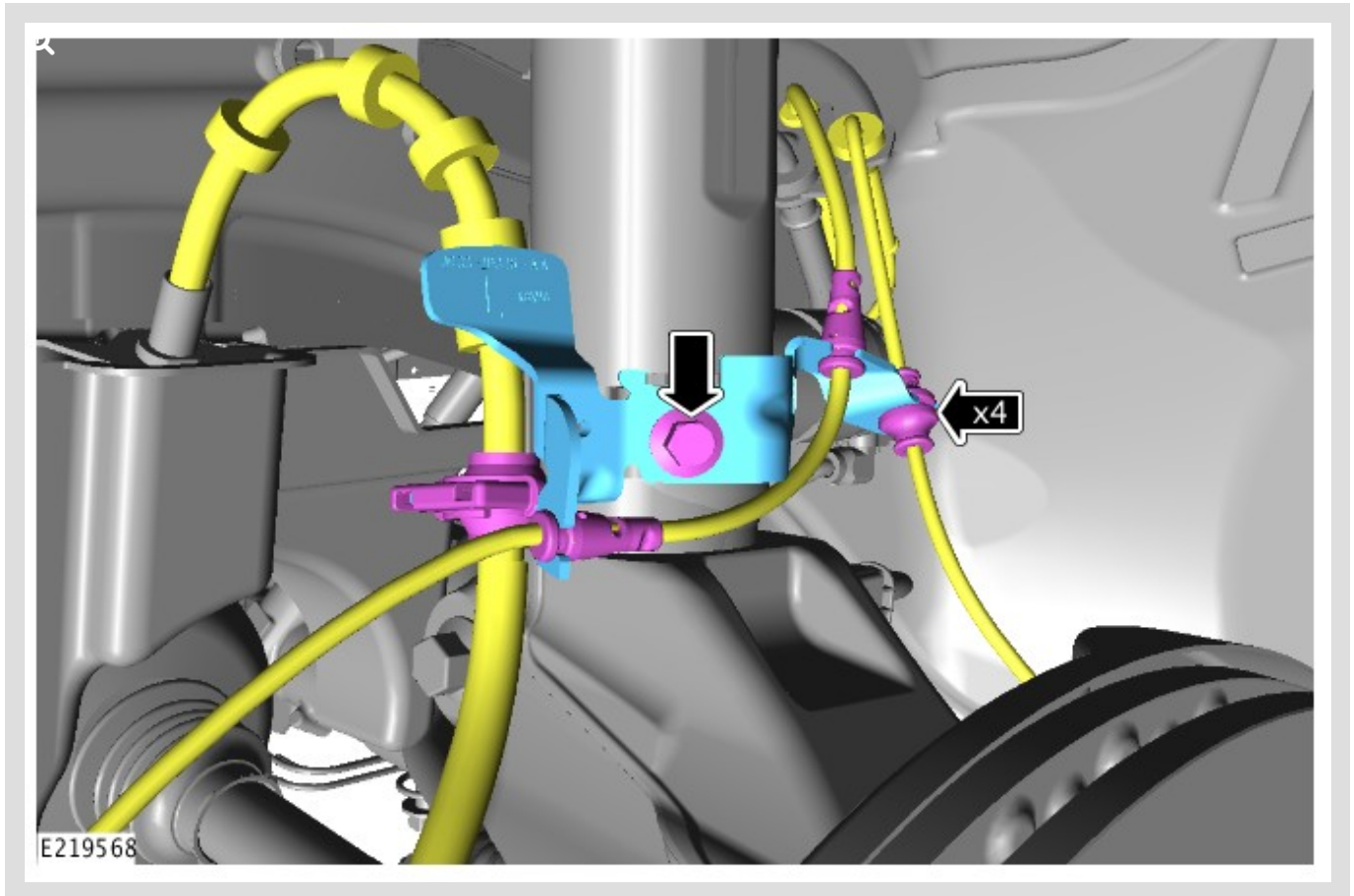
7

**ⓘ CAUTION:**

Following installation, a visual inspection must be completed to make sure the brake pipe(s) are routed and secured correctly. The brake pipe(s) must not touch the body or surrounding components.

**NOTE:**

Make sure the gap between the brake hose support bracket and the shock absorber is correct after installing the new brake hose support bracket.



Replace the brake hose support bracket.

- Torque: **28 Nm**

8 Install the wheel and tire assembly (see TOPIx Workshop Manual section 204-04: Removal and Installation - Wheels and Tires - Wheel and Tire).

9 Repeat Steps 6-8 on the other side of the vehicle if required.

10 Release the vehicle.

**WORKSHOP PROCEDURE 'B' - VEHICLES WITHOUT 18" WHEELS ONLY:**

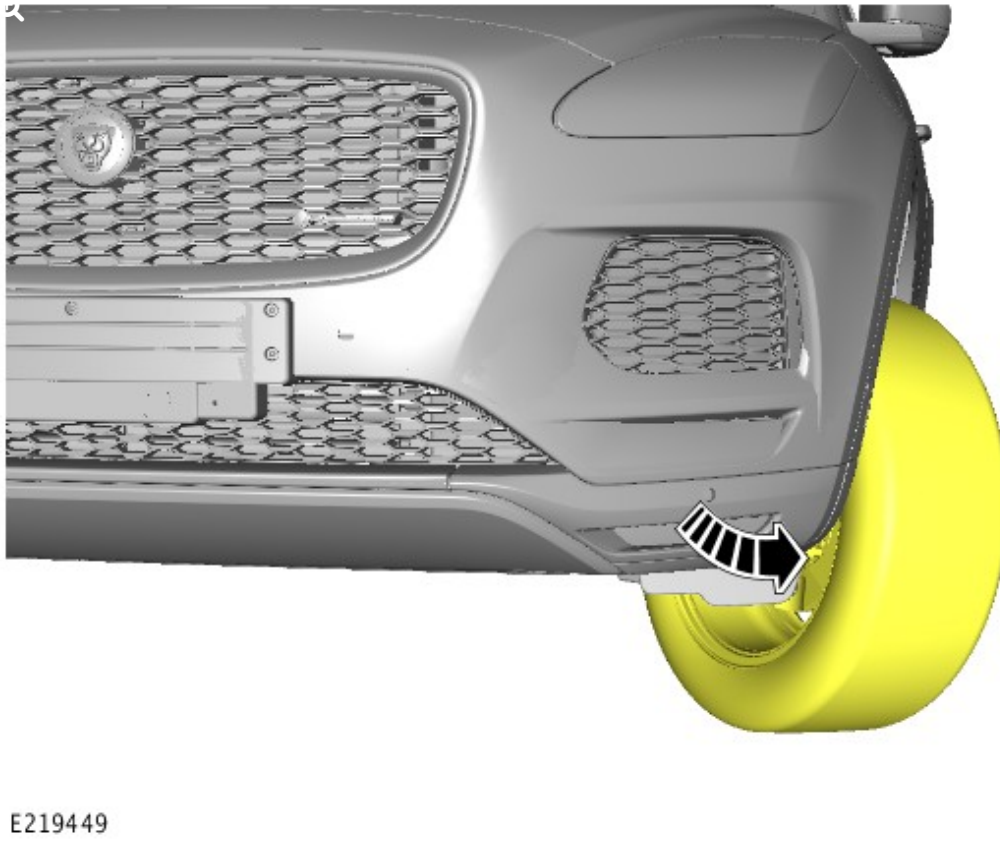


**NOTES:**

- Some variation in the illustrations may occur, but the essential information is always correct.
- Some components shown removed for clarity.

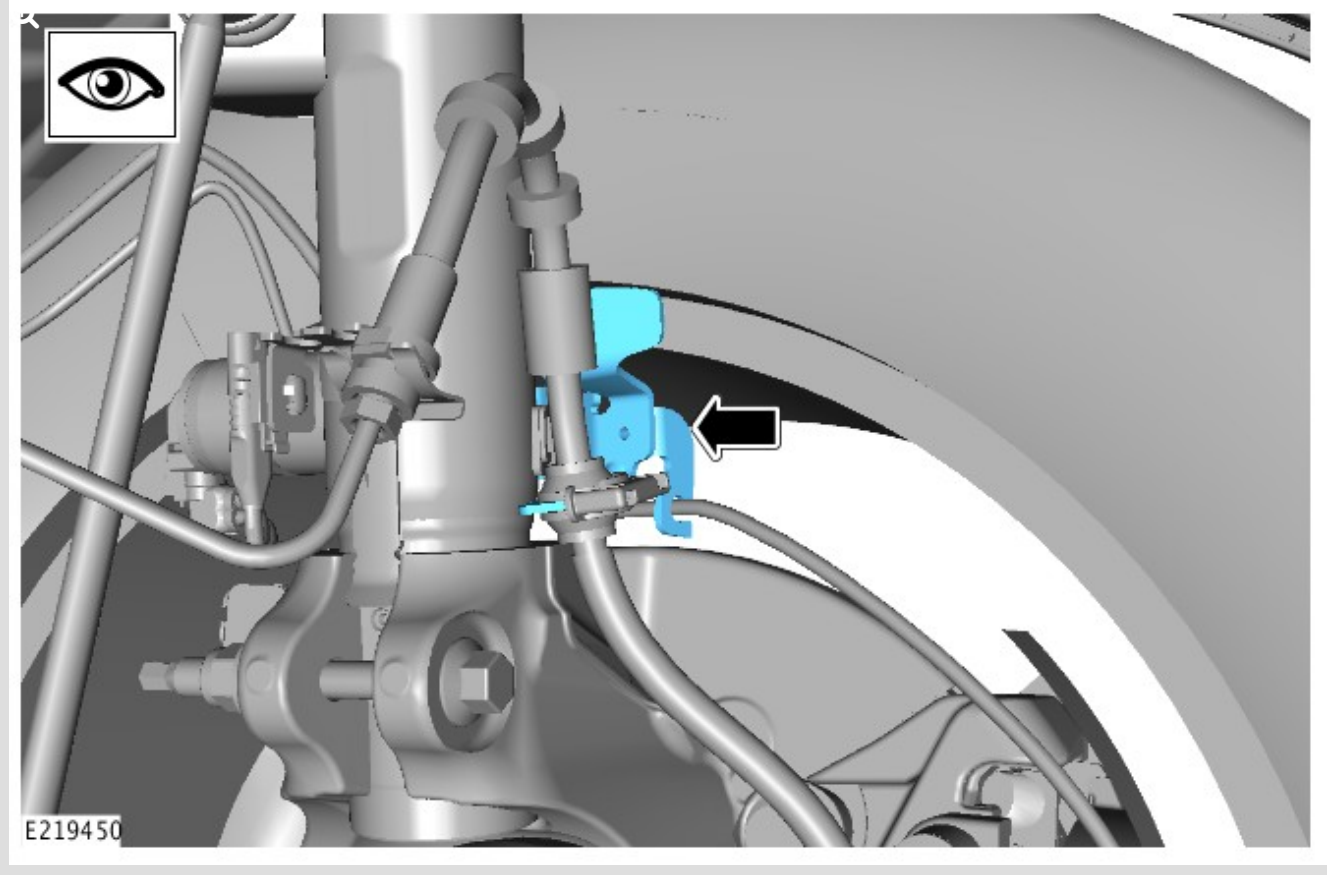
1 Raise the vehicle on a ramp.

2



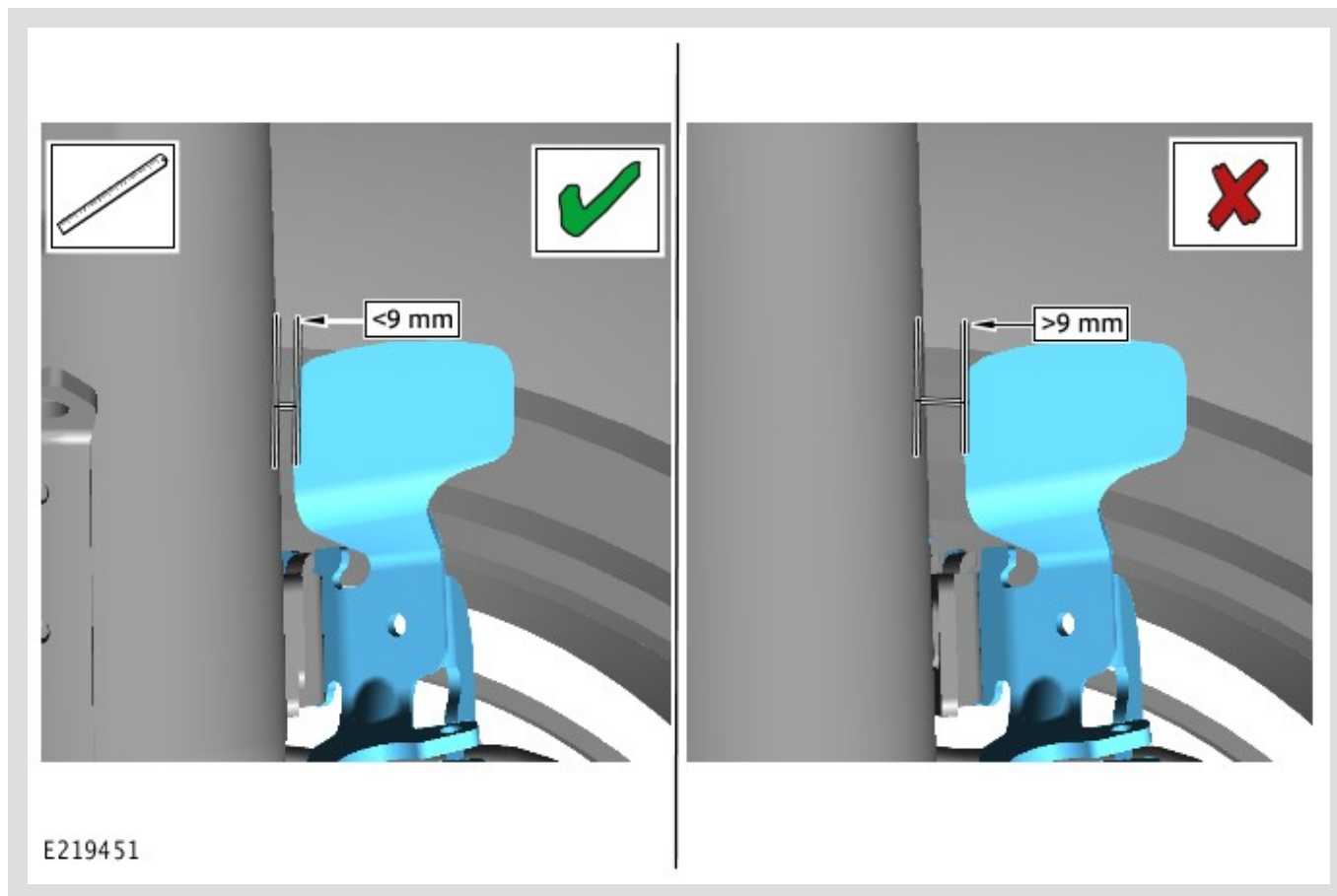
Turn the wheel and tire assembly as shown.

3



Locate the front left brake hose support bracket.

4



Measure and record the gap between the brake hose support bracket and the shock absorber.

5

Repeat Steps 1-4 to the other side of the vehicle.

- If the gap between the brake hose support bracket and the shock absorber is **9 mm or less (✓) on both sides of the vehicle**, go to Step 10.
- If the gap between the brake hose support bracket and the shock absorber is **more than 9 mm (X) on either side of the vehicle**, go to Step 6.

6

Remove the wheel and tire assembly (see TOPIx Workshop Manual section 204-04: Removal and Installation - Wheels and Tires - Wheel and Tire).

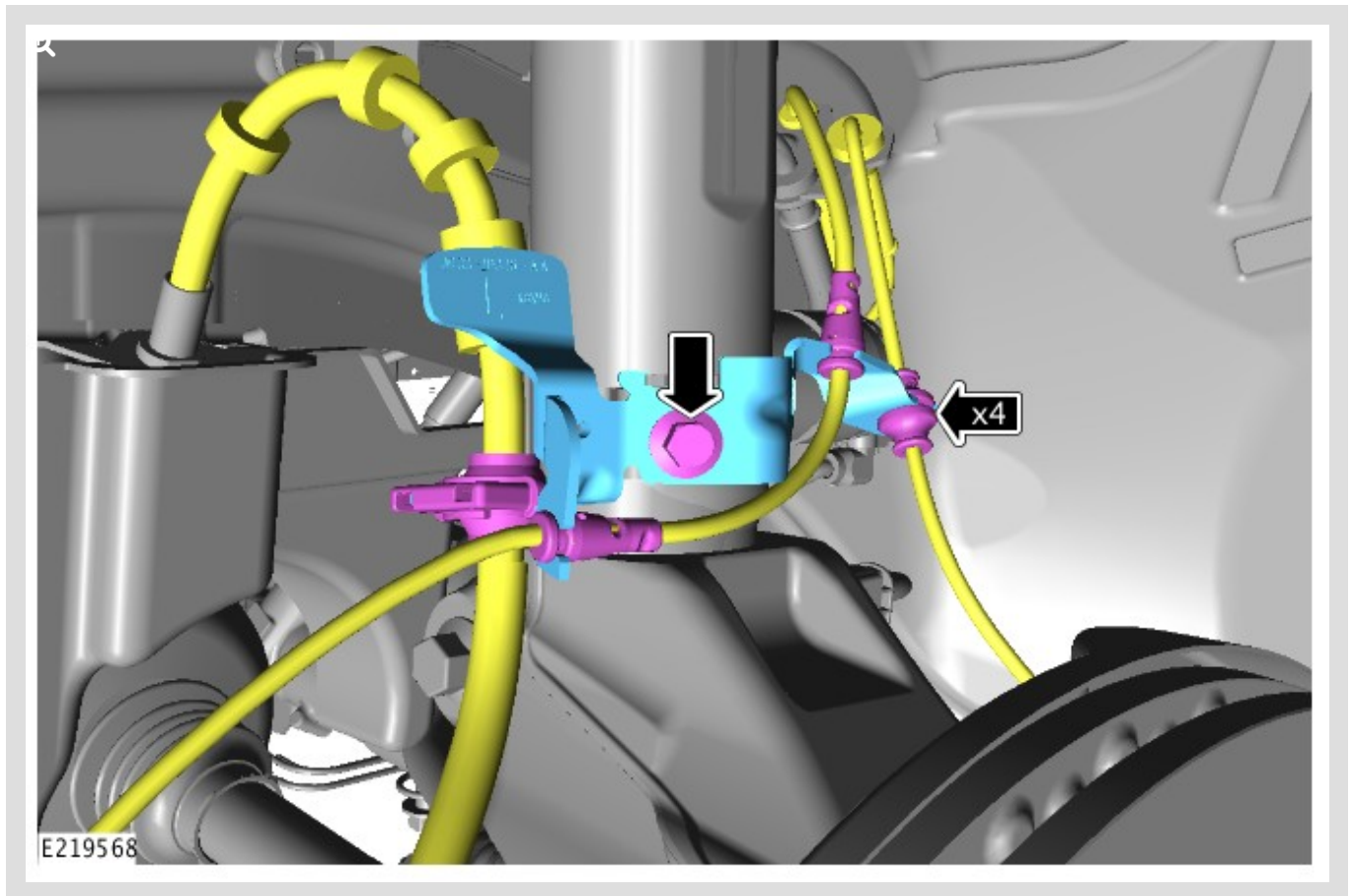
7

**ⓘ CAUTION:**

Following installation, a visual inspection must be completed to make sure the brake pipe(s) are routed and secured correctly. The brake pipe(s) must not touch the body or surrounding components.

**NOTE:**

Make sure the gap between the brake hose support bracket and the shock absorber is correct after installing the new brake hose support bracket.



Replace the brake hose support bracket.

- Torque: **28 Nm**

8 Install the wheel and tire assembly (see TOPIx Workshop Manual section 204-04: Removal and Installation - Wheels and Tires - Wheel and Tire).

9 Repeat Steps 6-8 on the other side of the vehicle if required.

10 Release the vehicle.