

RC-18-84-01

MODEL: 2018 Model Year Karma Revero

DATE: April 2018

TITLE: Remedy, Replacement - Takata Curtain Side Airbag Assemblies

PRIORITY: Revero Vehicles in attached List**APPLICABILITY:** 2018 Karma Revero**MARKET REGIONS:** United States and Canada**PURPOSE:** This document highlights the removal of the Takata Head-protection Curtain Side Airbag also known as the Curtain Side Airbag and installation of the new provided part.

This document supersedes any and all previous documents in workshop manuals, wiring diagrams, training documents, parts catalog, labor operations, etc.

While the method of repair is approved as indicated, performing and verifying the repair is proper and does not create further damage to the vehicle is the responsibility of the technician.

Safety Recall Notice (Remedy)

2018 Model Year Karma Revero - RH and LH Curtain Side Airbag Assembly Important Information Enclosed

IMPORTANT REMINDER ON VEHICLES AFFECTED BY SAFETY & COMPLIANCE RECALLS

New Vehicles in Dealer Inventory: It is a violation of Federal law for a dealer to deliver a new motor vehicle or any new or used item of motor vehicle equipment (including a tire) covered by this notification under a sale or lease until the defect or noncompliance is remedied. By law, dealers must correct, prior to delivery for sale or lease, any vehicle that fails to comply with an applicable Federal Motor Vehicle Safety Standard or that contains a defect relating to motor vehicle safety.

Pre-Owned Vehicles in Dealer Inventory: Dealers should not deliver any pre-owned vehicles in their inventory which are involved in a safety or compliance recall until the defect has been remedied.

The removal process is recreated here. The service manual for Karma Revero can be referenced as a guide. This section is found beginning on page 473 of the Service Manual PDF, Restraint Systems Section. The service manual instructions guide the technician to access the side curtain airbags by lowering the headliner. This will include removal of associated trim and release of wiring connectors for access.

Have a camera available and ready. Capture images of the removed airbag assemblies and the new airbag assemblies prior to installation. These images showing both serial numbers (clearly and readable) must be attached to the recall warranty claim, the TSS case and retained with repair order documentation as well. This is needed for the NHTSA recall records.

Karma Automotive Bulletins and service documents are intended for use by experienced and trained Technicians. If you lack the skills, tools, equipment and a suitable workshop for any procedure described in this document, we suggest you leave such repairs to an Authorized Karma Service Provider or qualified service center. See your service provider for advice on whether your vehicle may benefit from the information contained within this document. The information contained in the Karma Bulletin is accurate at the date of publication. However, Karma Automotive regularly updates technical information. Please check with your Karma Automotive Service Provider that the bulletin you intend to use contains the latest available information.

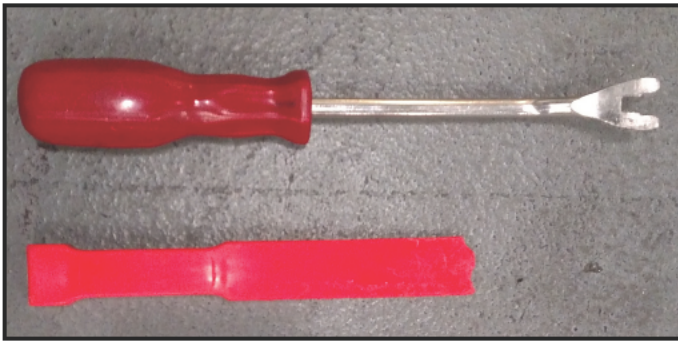
RC-18-84-01

MODEL: 2018 Model Year Karma Revero

DATE: April 2018

TITLE: Remedy, Replacement - Takata Curtain Side Airbag Assemblies

TOOLS REQUIRED: ALL removal of components and installation should be with hand tools.



Panel tool and plastic 'bone' tool



10mm socket



8mm socket



1/4 inch ratchet & 1/4 inch extension (5 in.)



Torque wrench



T50 torx bit



T30 torx bit



T15 torx bit



Camera or image capturing device such as a camera equipped mobile phone

Karma Automotive Bulletins and service documents are intended for use by experienced and trained Technicians. If you lack the skills, tools, equipment and a suitable workshop for any procedure described in this document, we suggest you leave such repairs to an Authorized Karma Service Provider or qualified service center. See your service provider for advice on whether your vehicle may benefit from the information contained within this document. The information contained in the Karma Bulletin is accurate at the date of publication. However, Karma Automotive regularly updates technical information. Please check with your Karma Automotive Service Provider that the bulletin you intend to use contains the latest available information.

RC-18-84-01

MODEL: 2018 Model Year Karma Revero

DATE: April 2018

TITLE: Remedy, Replacement - Takata Curtain Side Airbag Assemblies

This procedure will involve replacing both the installed Curtain Side Airbag Assemblies with Curtain Side Airbag Assembly - LH P/N C131148801105 and Curtain Side Airbag Assembly - RH P/N C131148801205.

These will be replaced with the new parts made available to the service center in the supplied kits:

Kit- Airbag Service LH, P/N C161148600300 (including 8 new bolts with adhesive) and

Kit- Airbag Service RH, P/N C161148600400 (including 8 new bolts with adhesive).

Over View:

- 1) Cover the dash and seats with plastic sheeting, to avoid or minimize any soiling or dye transfer from surfaces to the headliner
- 2) Remove the rear seat backs and cushions
- 3) Remove the package tray, and the c-pillar trim
- 4) Remove the upper b-pillar trim
- 5) Remove the a-pillar trim
- 6) Remove the front and rear dome light assemblies (disconnecting any harnesses as needed) and the ADAS cover
- 7) Lower the front seat to a lay back position for the most access
- 8) Perform the 12 Volt disconnect
- 9) Remove the coat hooks, and be prepared to lower the headliner
- 10) Lower the headliner and slide it forward
- 11) Begin at the rear inflator and unplug the inflator and remove the fastener
- 12) Remove every fastener holding the side curtain air bag
- 13) Reassemble, using the new Curtain Side Airbag assemblies, in reverse of disassembly
- 14) Torque for reinstall is **6 +/- 1.0 Nm** for the bolts fastening the side curtain air bag. Be sure to use the new specified bolts as indicated. **Do not re-use the bolts from the assembly**

Karma Automotive Bulletins and service documents are intended for use by experienced and trained Technicians. If you lack the skills, tools, equipment and a suitable workshop for any procedure described in this document, we suggest you leave such repairs to an Authorized Karma Service Provider or qualified service center. See your service provider for advice on whether your vehicle may benefit from the information contained within this document. The information contained in the Karma Bulletin is accurate at the date of publication. However, Karma Automotive regularly updates technical information. Please check with your Karma Automotive Service Provider that the bulletin you intend to use contains the latest available information.

TITLE: Remedy, Replacement - Takata Curtain Side Airbag Assemblies

Open hood, all doors and lower all the windows as preparation for the procedure.



Enter the car to begin disassembly. Begin removal of the rear seat backs, cushions, and disconnect connectors from components as necessary (fig.1a and 1b).



fig.1a



fig.1b

Karma Automotive Bulletins and service documents are intended for use by experienced and trained Technicians. If you lack the skills, tools, equipment and a suitable workshop for any procedure described in this document, we suggest you leave such repairs to an Authorized Karma Service Provider or qualified service center. See your service provider for advice on whether your vehicle may benefit from the information contained within this document. The information contained in the Karma Bulletin is accurate at the date of publication. However, Karma Automotive regularly updates technical information. Please check with your Karma Automotive Service Provider that the bulletin you intend to use contains the latest available information.

RC-18-84-01

MODEL: 2018 Model Year Karma Revero

DATE: April 2018

TITLE: Remedy, Replacement - Takata Curtain Side Airbag Assemblies

Remove the center bezel, pull firmly forward disconnect the accessory port (fig.2a and 2b).



fig.2a



fig.2b

The following trim pieces (right side and left side) will be removed to lower the headliner to access the airbags, for removal and reinstallation (fig. 2c)

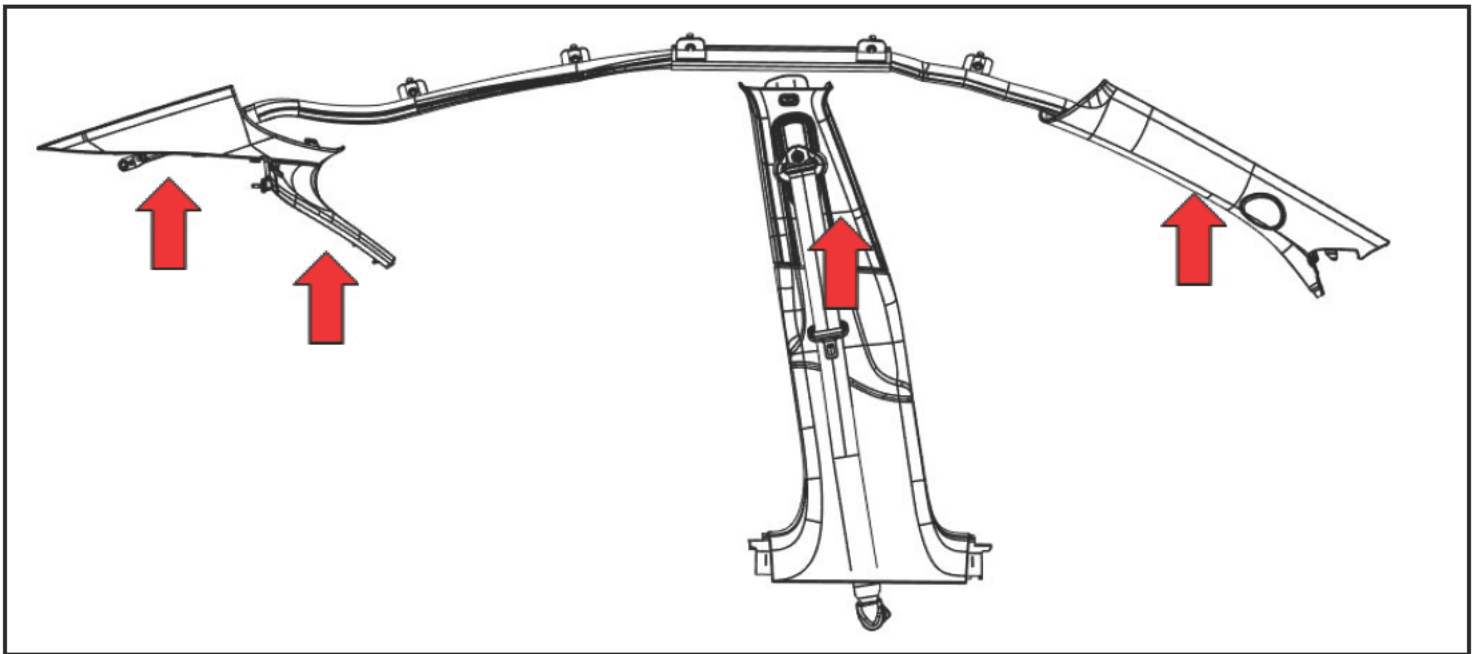


fig.2c

Karma Automotive Bulletins and service documents are intended for use by experienced and trained Technicians. If you lack the skills, tools, equipment and a suitable workshop for any procedure described in this document, we suggest you leave such repairs to an Authorized Karma Service Provider or qualified service center. See your service provider for advice on whether your vehicle may benefit from the information contained within this document. The information contained in the Karma Bulletin is accurate at the date of publication. However, Karma Automotive regularly updates technical information. Please check with your Karma Automotive Service Provider that the bulletin you intend to use contains the latest available information.

RC-18-84-01

MODEL: 2018 Model Year Karma Revero

DATE: April 2018

TITLE: Remedy, Replacement - Takata Curtain Side Airbag Assemblies

Remove C-pillar trim, from both sides by pulling firmly down on each (fig.3a, 3b, and 3c).



fig.3a



fig.3b



fig.3c

Karma Automotive Bulletins and service documents are intended for use by experienced and trained Technicians. If you lack the skills, tools, equipment and a suitable workshop for any procedure described in this document, we suggest you leave such repairs to an Authorized Karma Service Provider or qualified service center. See your service provider for advice on whether your vehicle may benefit from the information contained within this document. The information contained in the Karma Bulletin is accurate at the date of publication. However, Karma Automotive regularly updates technical information. Please check with your Karma Automotive Service Provider that the bulletin you intend to use contains the latest available information.

TITLE: Remedy, Replacement - Takata Curtain Side Airbag Assemblies

Remove the door molding (both sides) enough to access the trim on the C-pillar, again on both sides, and remove trim panels. Use a T30 bit (fig.4a) and remove bolts on both (LH/RH) quarter garnish panel assemblies and slide out panel (fig.4a, b). Slide out the assemblies, plastic retainer will not come off easily. Note the central clips, and use a panel tool to aid in removal



fig.4a



fig.4b

Karma Automotive Bulletins and service documents are intended for use by experienced and trained Technicians. If you lack the skills, tools, equipment and a suitable workshop for any procedure described in this document, we suggest you leave such repairs to an Authorized Karma Service Provider or qualified service center. See your service provider for advice on whether your vehicle may benefit from the information contained within this document. The information contained in the Karma Bulletin is accurate at the date of publication. However, Karma Automotive regularly updates technical information. Please check with your Karma Automotive Service Provider that the bulletin you intend to use contains the latest available information.

RC-18-84-01

MODEL: 2018 Model Year Karma Revero

DATE: April 2018

TITLE: Remedy, Replacement - Takata Curtain Side Airbag Assemblies

Remove The package tray (fig.5a,b). Set aside all removed trim on a safe table top or work surface to minimize any soiling of the interior panels.



fig.5a



fig.5b

Karma Automotive Bulletins and service documents are intended for use by experienced and trained Technicians. If you lack the skills, tools, equipment and a suitable workshop for any procedure described in this document, we suggest you leave such repairs to an Authorized Karma Service Provider or qualified service center. See your service provider for advice on whether your vehicle may benefit from the information contained within this document. The information contained in the Karma Bulletin is accurate at the date of publication. However, Karma Automotive regularly updates technical information. Please check with your Karma Automotive Service Provider that the bulletin you intend to use contains the latest available information.

TITLE: Remedy, Replacement - Takata Curtain Side Airbag Assemblies

Remove the D-ring cover panel (fig.6a), and undo the fastener for the upper seatbelt (use a T50 torx for the D-ring and a T30 for the upper trim bolt (fig.6b).



fig.6a

Bolt to secure D-ring. Torque value: 40 +/- 5 N-m



fig.6b



Undo bolt (T30) to secure upper B-pillar trim through airbag logo hole and snap back the airbag logo to avoid loss of component part (fig.6b).

Karma Automotive Bulletins and service documents are intended for use by experienced and trained Technicians. If you lack the skills, tools, equipment and a suitable workshop for any procedure described in this document, we suggest you leave such repairs to an Authorized Karma Service Provider or qualified service center. See your service provider for advice on whether your vehicle may benefit from the information contained within this document. The information contained in the Karma Bulletin is accurate at the date of publication. However, Karma Automotive regularly updates technical information. Please check with your Karma Automotive Service Provider that the bulletin you intend to use contains the latest available information.

RC-18-84-01

MODEL: 2018 Model Year Karma Revero

DATE: April 2018

TITLE: Remedy, Replacement - Takata Curtain Side Airbag Assemblies

Remove the upper B-pillar trim on both sides, this unsnaps from the lower trim as shown below (fig.7).



fig.7

Karma Automotive Bulletins and service documents are intended for use by experienced and trained Technicians. If you lack the skills, tools, equipment and a suitable workshop for any procedure described in this document, we suggest you leave such repairs to an Authorized Karma Service Provider or qualified service center. See your service provider for advice on whether your vehicle may benefit from the information contained within this document. The information contained in the Karma Bulletin is accurate at the date of publication. However, Karma Automotive regularly updates technical information. Please check with your Karma Automotive Service Provider that the bulletin you intend to use contains the latest available information.

TITLE: Remedy, Replacement - Takata Curtain Side Airbag Assemblies

Remove both A-pillars. Remember to remove the tether clip from the top portion by sliding it out of the A-pillar. Remove the speaker connector on the back side (fig.8a,8b,8c).



fig.8a



fig.8b

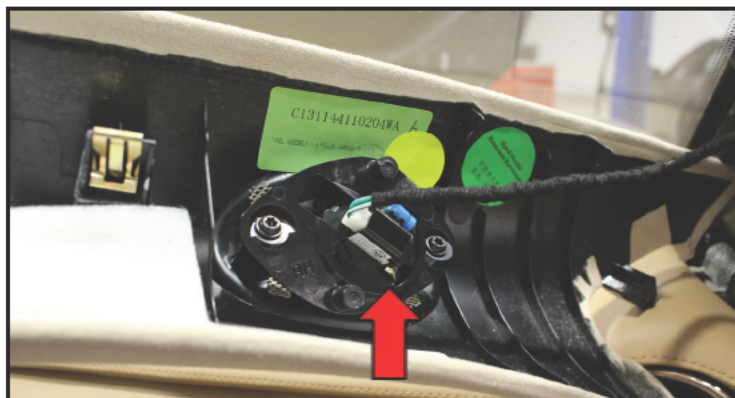


fig.8c

Karma Automotive Bulletins and service documents are intended for use by experienced and trained Technicians. If you lack the skills, tools, equipment and a suitable workshop for any procedure described in this document, we suggest you leave such repairs to an Authorized Karma Service Provider or qualified service center. See your service provider for advice on whether your vehicle may benefit from the information contained within this document. The information contained in the Karma Bulletin is accurate at the date of publication. However, Karma Automotive regularly updates technical information. Please check with your Karma Automotive Service Provider that the bulletin you intend to use contains the latest available information.

TITLE: Remedy, Replacement - Takata Curtain Side Airbag Assemblies

Remove the ADAS cover as shown (fig. 9a, 9b)



fig.9a



fig.9b

Karma Automotive Bulletins and service documents are intended for use by experienced and trained Technicians. If you lack the skills, tools, equipment and a suitable workshop for any procedure described in this document, we suggest you leave such repairs to an Authorized Karma Service Provider or qualified service center. See your service provider for advice on whether your vehicle may benefit from the information contained within this document. The information contained in the Karma Bulletin is accurate at the date of publication. However, Karma Automotive regularly updates technical information. Please check with your Karma Automotive Service Provider that the bulletin you intend to use contains the latest available information.

TITLE: Remedy, Replacement - Takata Curtain Side Airbag Assemblies

Unsnap the Dome lamp cover (fig.9c) and expose the screws (fig.9d). Undo these and drop down the assembly. Unplug the harness connector (fig.9e). Reinstall screws in dome lamp at 2.0 +/- 0.5 Nm



fig.9b



fig.9c



fig.9d

Karma Automotive Bulletins and service documents are intended for use by experienced and trained Technicians. If you lack the skills, tools, equipment and a suitable workshop for any procedure described in this document, we suggest you leave such repairs to an Authorized Karma Service Provider or qualified service center. See your service provider for advice on whether your vehicle may benefit from the information contained within this document. The information contained in the Karma Bulletin is accurate at the date of publication. However, Karma Automotive regularly updates technical information. Please check with your Karma Automotive Service Provider that the bulletin you intend to use contains the latest available information.

RC-18-84-01

MODEL: 2018 Model Year Karma Revero

DATE: April 2018

TITLE: Remedy, Replacement - Takata Curtain Side Airbag Assemblies

Remove the side lights of the rear dome lamp (fig.10a) and pull down the rear central dome lamp (fig.10b), unplugging the harness as needed.



fig.10a



fig.10b

Karma Automotive Bulletins and service documents are intended for use by experienced and trained Technicians. If you lack the skills, tools, equipment and a suitable workshop for any procedure described in this document, we suggest you leave such repairs to an Authorized Karma Service Provider or qualified service center. See your service provider for advice on whether your vehicle may benefit from the information contained within this document. The information contained in the Karma Bulletin is accurate at the date of publication. However, Karma Automotive regularly updates technical information. Please check with your Karma Automotive Service Provider that the bulletin you intend to use contains the latest available information.

RC-18-84-01

MODEL: 2018 Model Year Karma Revero

DATE: April 2018

TITLE: Remedy, Replacement - Takata Curtain Side Airbag Assemblies

Undo the brackets for the sun visor assembly (fig.11a) and the sunvisor base (fig.11b).
Install torque 2.0 +/- 0.3 Nm



fig.11a



fig.11b

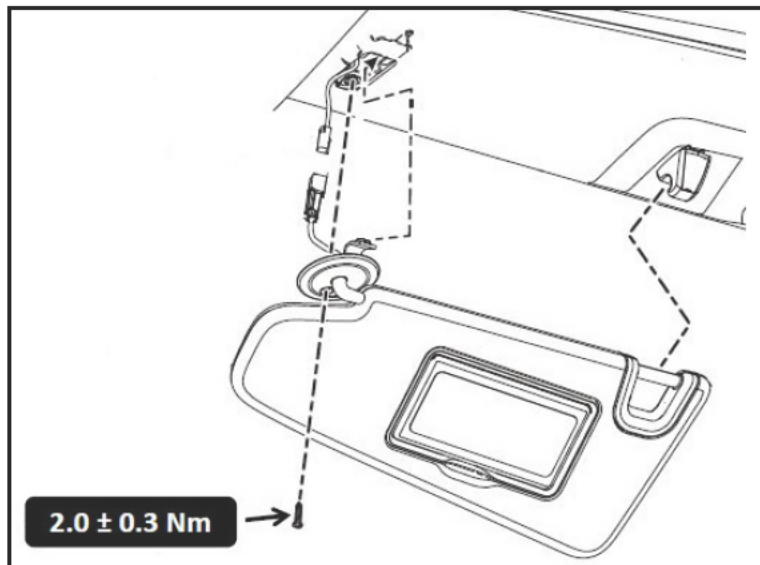


fig.11c

Unclip the harness end as needed (fig.11c).

Karma Automotive Bulletins and service documents are intended for use by experienced and trained Technicians. If you lack the skills, tools, equipment and a suitable workshop for any procedure described in this document, we suggest you leave such repairs to an Authorized Karma Service Provider or qualified service center. See your service provider for advice on whether your vehicle may benefit from the information contained within this document. The information contained in the Karma Bulletin is accurate at the date of publication. However, Karma Automotive regularly updates technical information. Please check with your Karma Automotive Service Provider that the bulletin you intend to use contains the latest available information.

RC-18-84-01

MODEL: 2018 Model Year Karma Revero

DATE: April 2018

TITLE: Remedy, Replacement - Takata Curtain Side Airbag Assemblies

Remove the coat hooks (fig.12a). Again set these aside in the proper location and take care not to soil or discolor the headliner. Install torque is 4.0Nm +/- 0.6 (fig.12b).



fig.12a

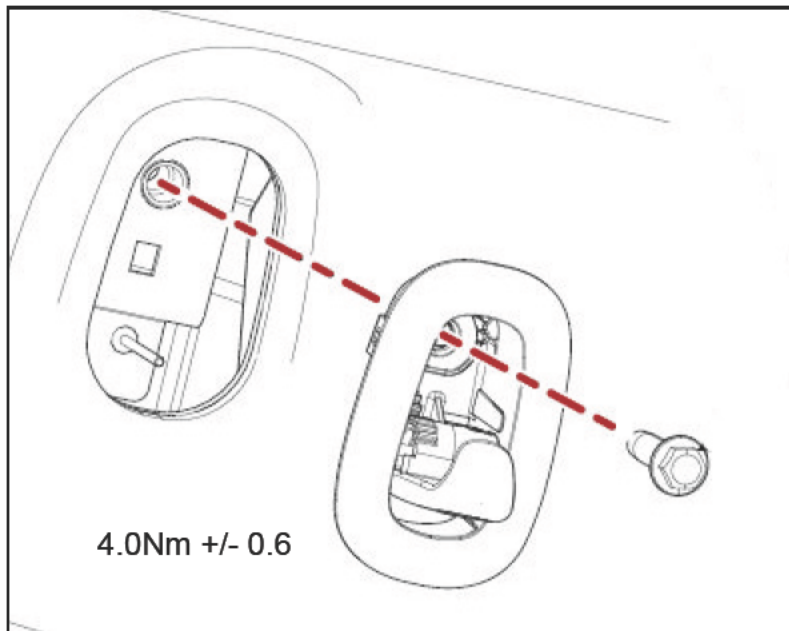


fig.12b

Karma Automotive Bulletins and service documents are intended for use by experienced and trained Technicians. If you lack the skills, tools, equipment and a suitable workshop for any procedure described in this document, we suggest you leave such repairs to an Authorized Karma Service Provider or qualified service center. See your service provider for advice on whether your vehicle may benefit from the information contained within this document. The information contained in the Karma Bulletin is accurate at the date of publication. However, Karma Automotive regularly updates technical information. Please check with your Karma Automotive Service Provider that the bulletin you intend to use contains the latest available information.

TITLE: Remedy, Replacement - Takata Curtain Side Airbag Assemblies

Lean the front seats back to provide more interior room. Cover the front seats in plastic or a clean cloth to avoid soiling. Lower the headliner (fig.13a) This may require some assistance.



fig.13a

Take care with the harness in the headliner. The airbag fasteners are now accessible (fig.13b). Unclip the wiring harness from the a-pillar for best access.



fig.13b

Karma Automotive Bulletins and service documents are intended for use by experienced and trained Technicians. If you lack the skills, tools, equipment and a suitable workshop for any procedure described in this document, we suggest you leave such repairs to an Authorized Karma Service Provider or qualified service center. See your service provider for advice on whether your vehicle may benefit from the information contained within this document. The information contained in the Karma Bulletin is accurate at the date of publication. However, Karma Automotive regularly updates technical information. Please check with your Karma Automotive Service Provider that the bulletin you intend to use contains the latest available information.

TITLE: Remedy, Replacement - Takata Curtain Side Airbag Assemblies

Power off- wait for car to go to sleep (45sec-1 minute)

Remove the #10 solar panel (“SPBC and HVAC”) fuse from the fuse block (fig.14a).

Disconnect the 12 V battery cable as shown: located on the passenger side shock tower (fig.14b).



fig.14a

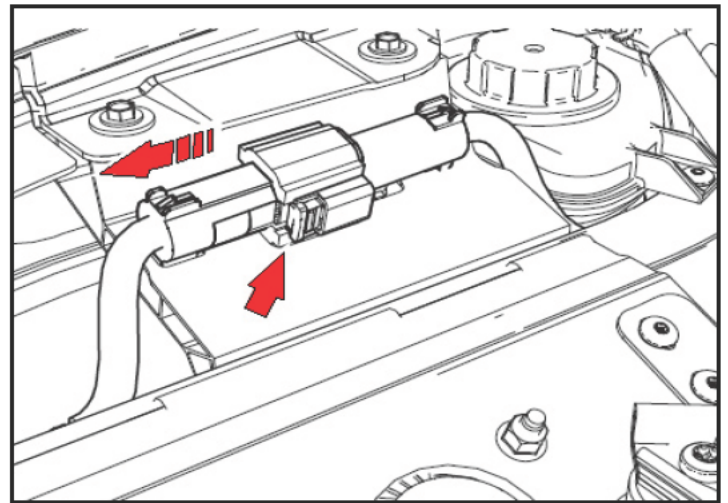


fig.14b

Disconnect the airbag inflator and unbolt from its location (fig.14c, 14d)

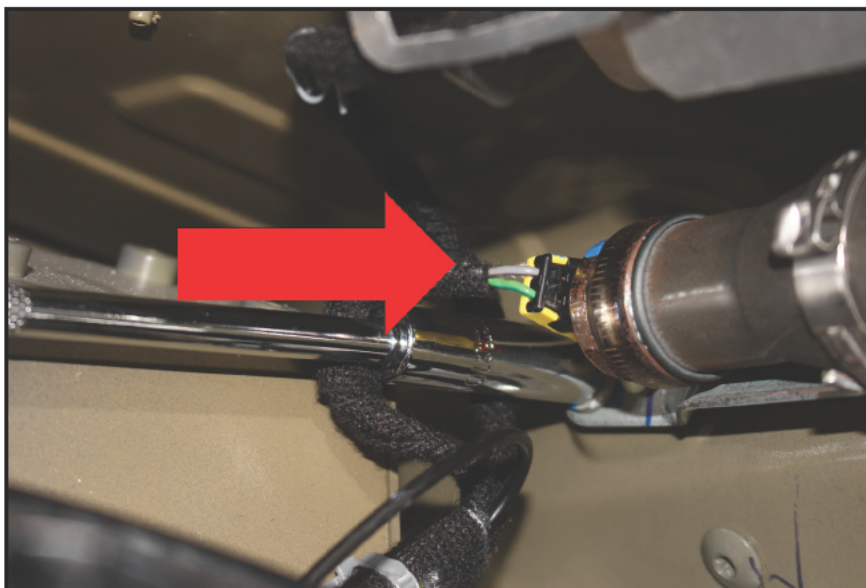


fig.14c

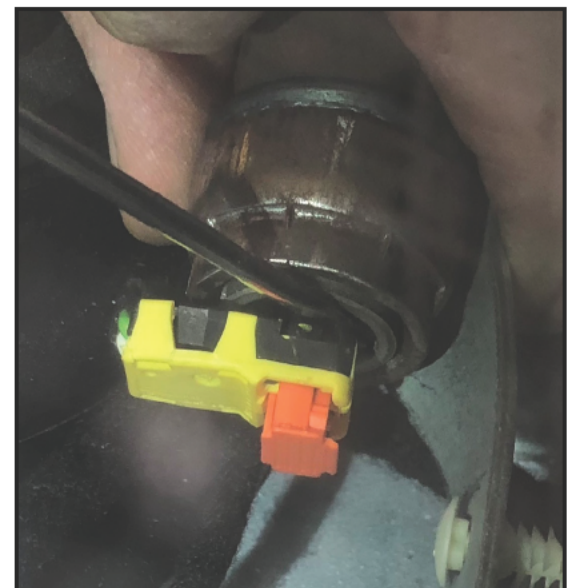


fig.14d

Karma Automotive Bulletins and service documents are intended for use by experienced and trained Technicians. If you lack the skills, tools, equipment and a suitable workshop for any procedure described in this document, we suggest you leave such repairs to an Authorized Karma Service Provider or qualified service center. See your service provider for advice on whether your vehicle may benefit from the information contained within this document. The information contained in the Karma Bulletin is accurate at the date of publication. However, Karma Automotive regularly updates technical information. Please check with your Karma Automotive Service Provider that the bulletin you intend to use contains the latest available information.

RC-18-84-01

MODEL: 2018 Model Year Karma Revero

DATE: April 2018

TITLE: Remedy, Replacement - Takata Curtain Side Airbag Assemblies

Note that each airbag has eight (8) total fasteners from the inflator (1) along the rail to the A-pillar (7), on each side (fig. 15a,b)



fig.15a



fig.15b

The new airbags has three Oetiker clamps by the inflator and it has an anti-twist stripe marking along the curtain material.

Karma Automotive Bulletins and service documents are intended for use by experienced and trained Technicians. If you lack the skills, tools, equipment and a suitable workshop for any procedure described in this document, we suggest you leave such repairs to an Authorized Karma Service Provider or qualified service center. See your service provider for advice on whether your vehicle may benefit from the information contained within this document. The information contained in the Karma Bulletin is accurate at the date of publication. However, Karma Automotive regularly updates technical information. Please check with your Karma Automotive Service Provider that the bulletin you intend to use contains the latest available information.

RC-18-84-01

MODEL: 2018 Model Year Karma Revero

DATE: April 2018

TITLE: Remedy, Replacement - Takata Curtain Side Airbag Assemblies

Remove both curtain side air bags. Deform the inflator mounting bracket (bend it with pliers as in fig. 16a) so that this part cannot be reused or mistakenly reinstalled (indicated in fig. 15c)

Again take pictures of the **airbag serial numbers (found below the Karma Part number)** and record these from the removed air bags (fig. 16b).

It is recommended to use a white paint pen and write the last six (6) digits of the VIN on the metal surface of the side curtain airbag inflator to indicate a no-use condition part and to identify this as removed to be returned to Karma Automotive.



fig.16a



fig.16b

Karma Automotive Bulletins and service documents are intended for use by experienced and trained Technicians. If you lack the skills, tools, equipment and a suitable workshop for any procedure described in this document, we suggest you leave such repairs to an Authorized Karma Service Provider or qualified service center. See your service provider for advice on whether your vehicle may benefit from the information contained within this document. The information contained in the Karma Bulletin is accurate at the date of publication. However, Karma Automotive regularly updates technical information. Please check with your Karma Automotive Service Provider that the bulletin you intend to use contains the latest available information.

RC-18-84-01

MODEL: 2018 Model Year Karma Revero

DATE: April 2018

TITLE: Remedy, Replacement - Takata Curtain Side Airbag Assemblies

Prior to installation of the new Curtain Side Airbag Assemblies, these must be prepared properly (see following pages). It is critical for reassembly to perform these steps!

Remove captured bolts (one by one to ensure correct bolt position) from new Curtain Side Airbag C131148801105 (LH), C131148801205 (RH). **Use retrofit bolts** C141800803200 (Bolt-Hex SEMS Flat M6 X 1.0 X 19.5 PC10.9 with Adhesive included in each airbag service kit (fig.17a)

Reuse the **Takata bolt retainer washer**, in all locations indicated to install new Curtain Side Airbag.

Place new airbag assemblies on a flat clean surface. (fig.17b, 17c note the three clamps on the inflator) and the anti twist stripe, on the cover, this should remain straight on install.



fig.17a



fig.17b



fig.17c

Remove eight (8) lock-washers from the LH/RH Airbag assembly fasteners.

Note: Only remove fasteners #1-#8 as shown in (fig.17d)

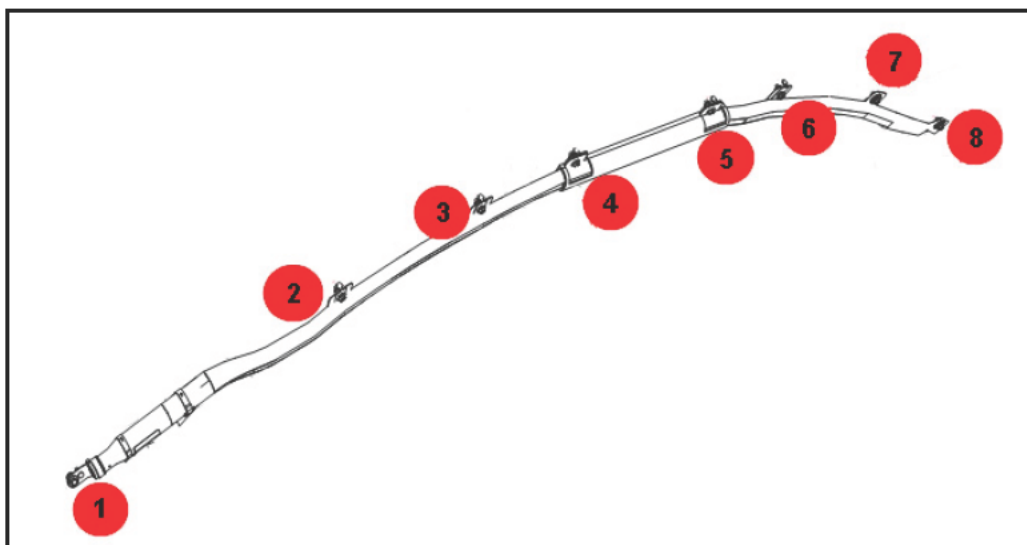


fig.17d

Karma Automotive Bulletins and service documents are intended for use by experienced and trained Technicians. If you lack the skills, tools, equipment and a suitable workshop for any procedure described in this document, we suggest you leave such repairs to an Authorized Karma Service Provider or qualified service center. See your service provider for advice on whether your vehicle may benefit from the information contained within this document. The information contained in the Karma Bulletin is accurate at the date of publication. However, Karma Automotive regularly updates technical information. Please check with your Karma Automotive Service Provider that the bulletin you intend to use contains the latest available information.

RC-18-84-01

MODEL: 2018 Model Year Karma Revero

DATE: April 2018

TITLE: Remedy, Replacement - Takata Curtain Side Airbag Assemblies

Use needle nose vice grips, or other appropriate tool and 10mm socket to separate the lock-washer and the bolts (fig.18a).

Discard the removed bolts.

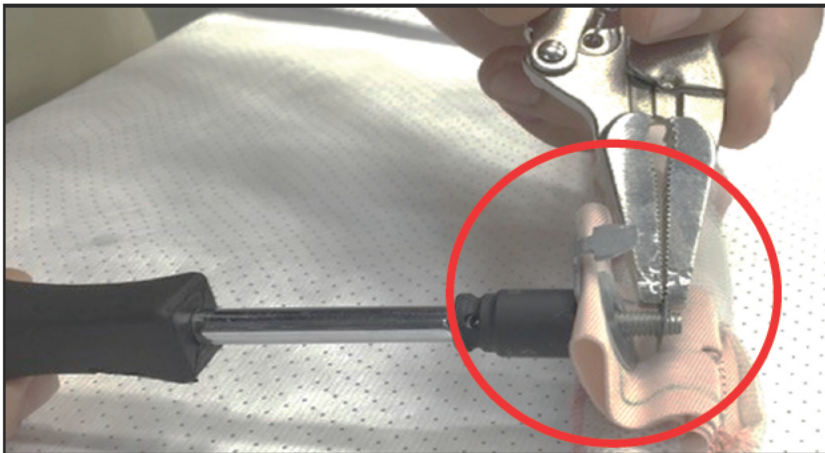


fig.18a

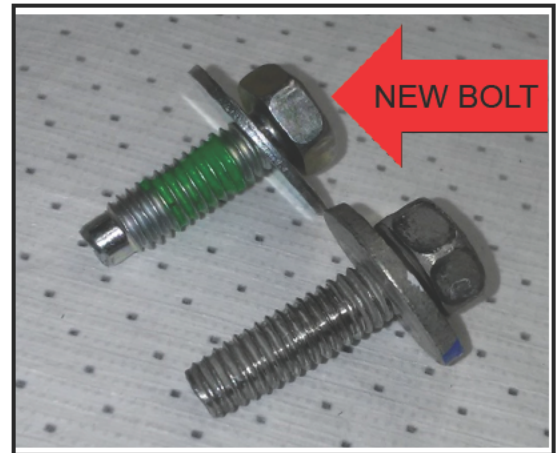


fig.18b

The new bolt is 6mm fastener C141800803200 - Bolt-Hex SEMS Flat M6 X 1.0 X 19.5 PC10.9 with Adhesive (fig.18b) included in each airbag service kit.

Install the 6mm fastener as shown (fig.19a, 19b) and re-use the Takata retainer-washer, into locations #1 - #8 (as shown above in fig.17). If new washers are needed order C144900507200



fig.19a

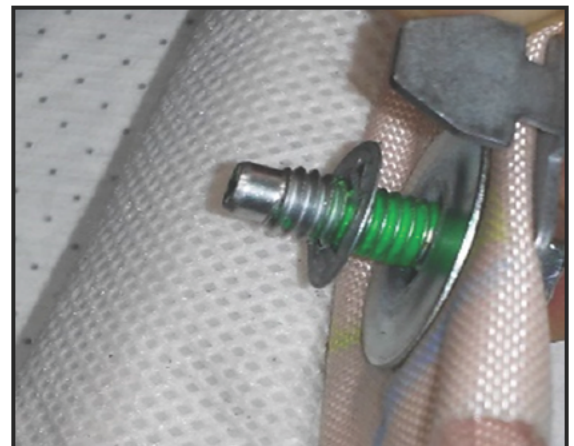


fig.19b

Hand start 3-4 threads to assure that the bolt follows the formed threads in the hole.

Tighten to torque 6 Nm. Proceed with re-installation the reverse of removal, install torque shown in fig.20

Do not twist the Curtain Side Airbag on installation.

Karma Automotive Bulletins and service documents are intended for use by experienced and trained Technicians. If you lack the skills, tools, equipment and a suitable workshop for any procedure described in this document, we suggest you leave such repairs to an Authorized Karma Service Provider or qualified service center. See your service provider for advice on whether your vehicle may benefit from the information contained within this document. The information contained in the Karma Bulletin is accurate at the date of publication. However, Karma Automotive regularly updates technical information. Please check with your Karma Automotive Service Provider that the bulletin you intend to use contains the latest available information.

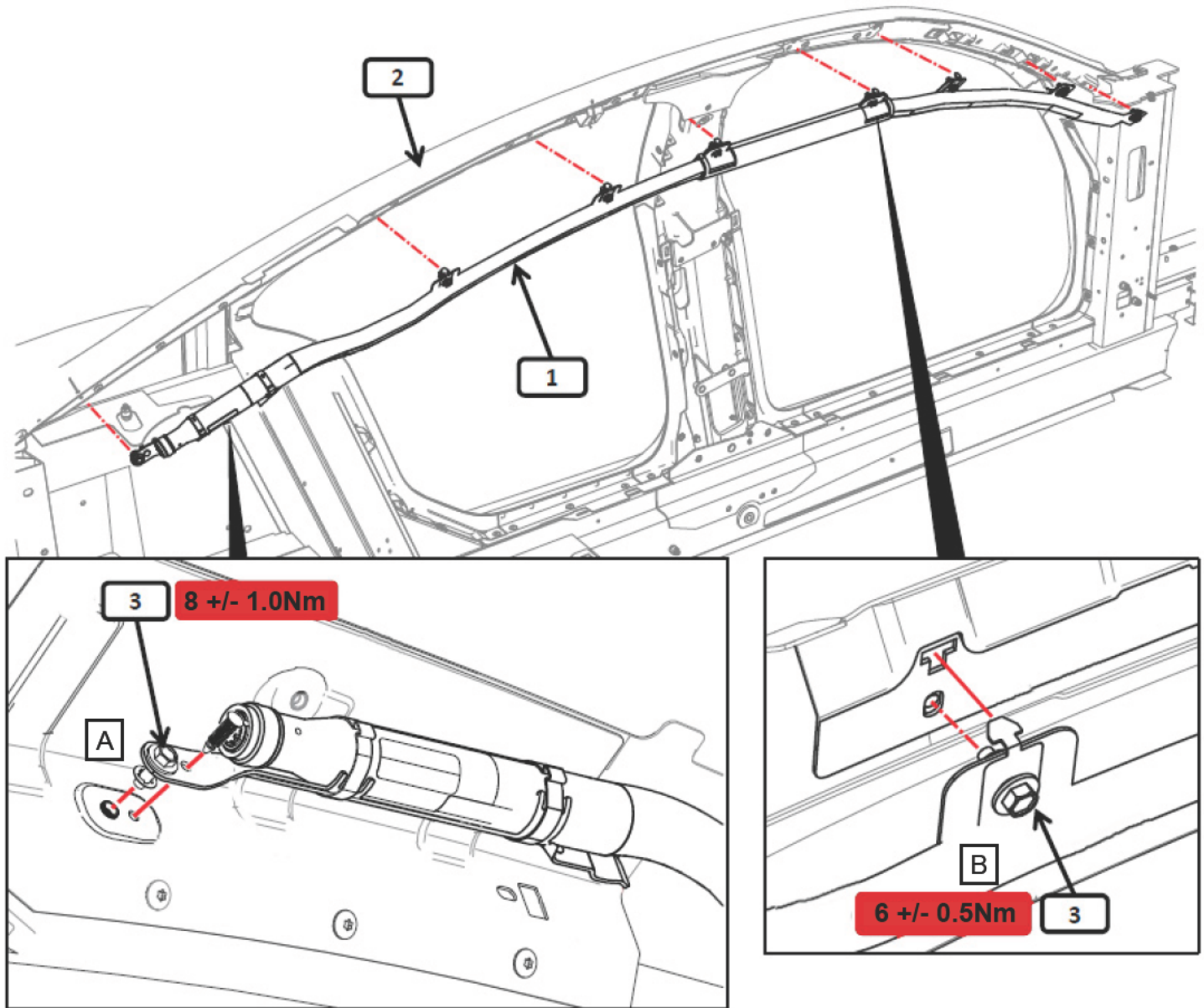


fig.20

- 1. Curtain Side Airbag Assembly
- 2. Vehicle Body
- 3. Part in Assembly Bolts (total 8)
 - A. 8 +/- 1.0 Nm (Qty. 1)
 - B. 6 +/- 0.5 Nm (Qty. 7)

Karma Automotive Bulletins and service documents are intended for use by experienced and trained Technicians. If you lack the skills, tools, equipment and a suitable workshop for any procedure described in this document, we suggest you leave such repairs to an Authorized Karma Service Provider or qualified service center. See your service provider for advice on whether your vehicle may benefit from the information contained within this document. The information contained in the Karma Bulletin is accurate at the date of publication. However, Karma Automotive regularly updates technical information. Please check with your Karma Automotive Service Provider that the bulletin you intend to use contains the latest available information.

RC-18-84-01

MODEL: 2018 Model Year Karma Revero

DATE: April 2018

TITLE: Remedy, Replacement - Takata Curtain Side Airbag Assemblies

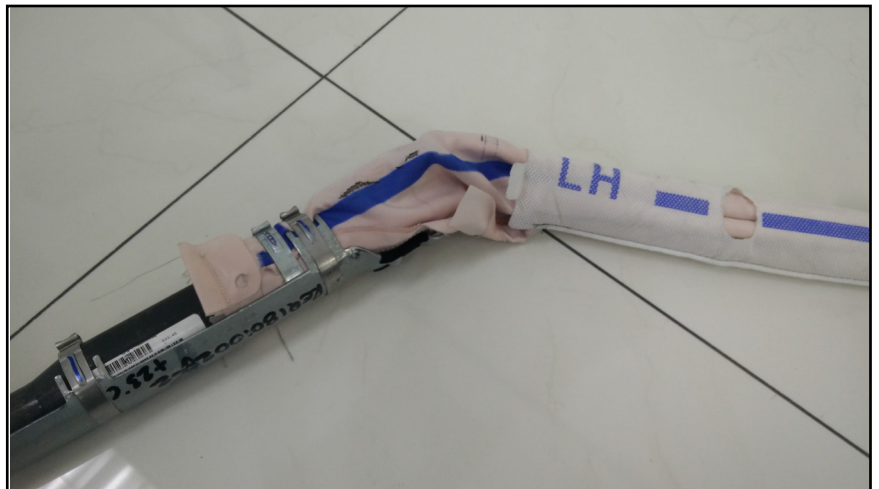
Install the new parts. Proceed to reassemble the interior in the reverse order as removed.

Again avoid soiling or damaging any of the interior parts:

Curtain Side Airbag Assembly - LH C131148801105

Curtain Side Airbag Assembly - RH C131148801205.

Again note, the new bag has 3 clamps, and a 15mm stripe, which should remain straight during installation, do not twist.



Reconnect the 12V system, reinstall the #10 fuse into the fuse block.

Calibrate parking brake. Initialize windows.

Check for any new bulletins while the vehicle is in the shop, perform as needed.

Verify there are no codes present with Karma Sync, test drive the vehicle.

Please return the airbags assemblies to the manufacturer.

Resuse the packing material the parts were recieved in for return.

Contact Karma Automotive for a return shipping label, and arrangements will be made to ship back to the distribution center.

Take care and use the appropriate torque wrench to torque the fasteners as indicated.

In the event any fasteners fail to achieve the recommended torque (when a bolt or mounting location "strips") refer to SC-18-18-01 which is a published communication for general repair information.

Karma Automotive Bulletins and service documents are intended for use by experienced and trained Technicians. If you lack the skills, tools, equipment and a suitable workshop for any procedure described in this document, we suggest you leave such repairs to an Authorized Karma Service Provider or qualified service center. See your service provider for advice on whether your vehicle may benefit from the information contained within this document. The information contained in the Karma Bulletin is accurate at the date of publication. However, Karma Automotive regularly updates technical information. Please check with your Karma Automotive Service Provider that the bulletin you intend to use contains the latest available information.

KARMA AUTOMOTIVE, LLC

Campaign No.: _____

Description: _____

Retailer Code: _____

Repair Date: ____ / ____ / ____

For questions, please contact
Client Services at 1-855-565-2762

C149950001100

Please apply label (fig.21) to the location indicated on the passenger side shock tower (fig.22). This will indicate the recall has been performed and is required to ensure compliance with the Takata Curtain Side Airbag Safety Recall Campaign.

fig.21



fig.21

Please retain photographs of the removed airbag assemblies *and* the new airbag assemblies for repair documentation as well, the serial number of both Curtain Side Airbags should be clearly visible and readable in the images. As mentioned previously, images must also be attached to the recall claim, the TSS case and retained with repair order documentation as well.

Karma Automotive Bulletins and service documents are intended for use by experienced and trained Technicians. If you lack the skills, tools, equipment and a suitable workshop for any procedure described in this document, we suggest you leave such repairs to an Authorized Karma Service Provider or qualified service center. See your service provider for advice on whether your vehicle may benefit from the information contained within this document. The information contained in the Karma Bulletin is accurate at the date of publication. However, Karma Automotive regularly updates technical information. Please check with your Karma Automotive Service Provider that the bulletin you intend to use contains the latest available information.

RC-18-84-01

MODEL: 2018 Model Year Karma Revero

DATE: April 2018

TITLE: Remedy, Replacement - Takata Curtain Side Airbag Assemblies

PARTS REQUIRED:

PART NUMBER	DESCRIPTION	QTY
C161148600300	Kit- Airbag Service LH	1
C161148600400	Kit- Airbag Service RH	1

SHOP SUPPLIES:

DESCRIPTION
N/A

SPECIAL TOOLS and PARTS:

PART NUMBER	DESCRIPTION	QTY
N/A		

LABOR CODES:

CODE	DESCRIPTION	TIME	DEFECT CODE
RC-00-00-03	Recall Curtain Side Airbag	3.0	84-20-03-16

SUBLET:

CODE	DESCRIPTION	AMOUNT
N/A		

CAUSAL PART:

PART NUMBER	DESCRIPTION
C131148801104	Curtain Side Airbag Assembly

WARRANTY DISPOSITION:

The claim cannot be processed without full compliance of this bulletin. Ensure the following have been performed:

- The new unit has been installed correctly into the vehicle
- The recalled Curtain Side Airbag Assembly(s) has been repackaged for shipment back to the manufacturer
- Campaign Label has been applied to the proper location
- Images and repair order have been attached to the warranty claim and submitted to Karma Automotive LLC
- Removed and new installed Curtain Side Airbag serial numbers must be recorded in the warranty claim

Karma Automotive Bulletins and service documents are intended for use by experienced and trained Technicians. If you lack the skills, tools, equipment and a suitable workshop for any procedure described in this document, we suggest you leave such repairs to an Authorized Karma Service Provider or qualified service center. See your service provider for advice on whether your vehicle may benefit from the information contained within this document. The information contained in the Karma Bulletin is accurate at the date of publication. However, Karma Automotive regularly updates technical information. Please check with your Karma Automotive Service Provider that the bulletin you intend to use contains the latest available information.