

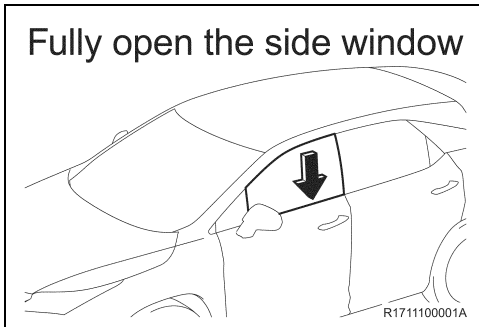
# FRONT DOOR AIR BAG SENSOR LH & RH NX300h/NX200t

\*Illustrations only show the LH side.

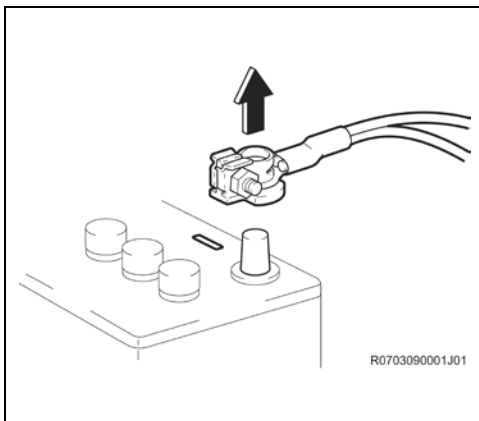
## REMOVAL

### 1. RECORD SETTINGS OF THE AUDIO SYSTEM, AIR CONDITIONER, ETC.

- For devices such as the audio system, air conditioner, etc, record current settings before disconnecting the negative battery cable.



### 2. FULLY OPEN THE SIDE WINDOW

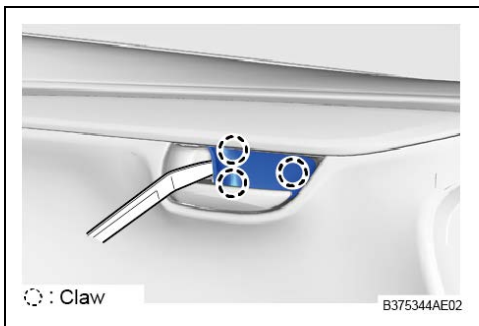


### 3. DISCONNECT NEGATIVE BATTERY CABLE



- Wait at least 90 seconds after disconnecting the cable from the negative battery terminal to prevent airbag and seat belt pretensioner deployment.
- For models with a HDD navigation system, wait at least 6 minutes before disconnecting the battery. It takes approximately 6 minutes for the system to save information and settings after the engine switch is turned off.
- Follow all precautions as outlined on TIS before servicing the SRS system.

### 4. REMOVE FRONT DOOR HANDLE INSERT

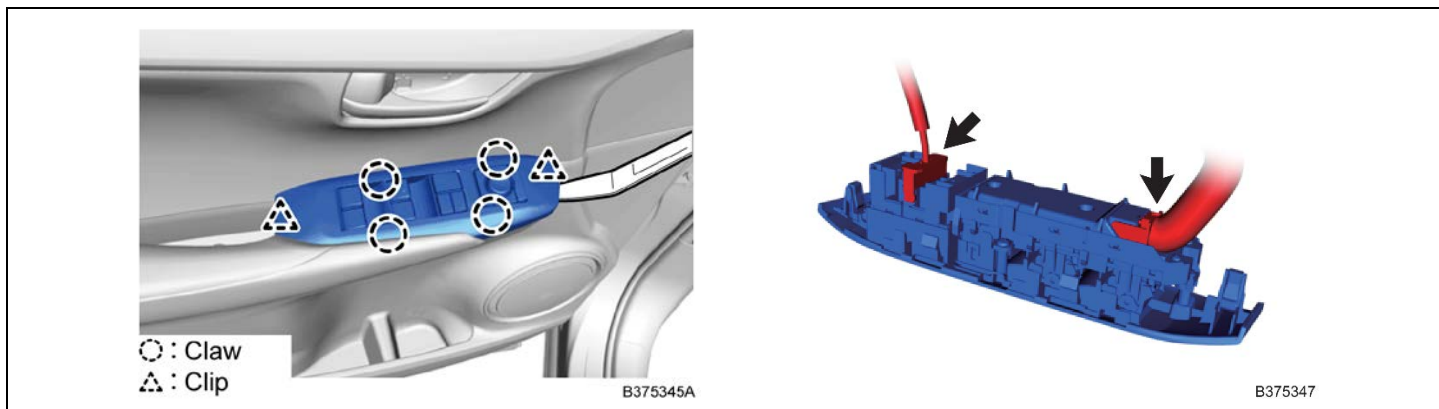


### 5. REMOVE FRONT DOOR INSIDE HANDLE BEZEL

- Using a molding remover, disengage the 3 claws to remove the front door inside handle bezel.

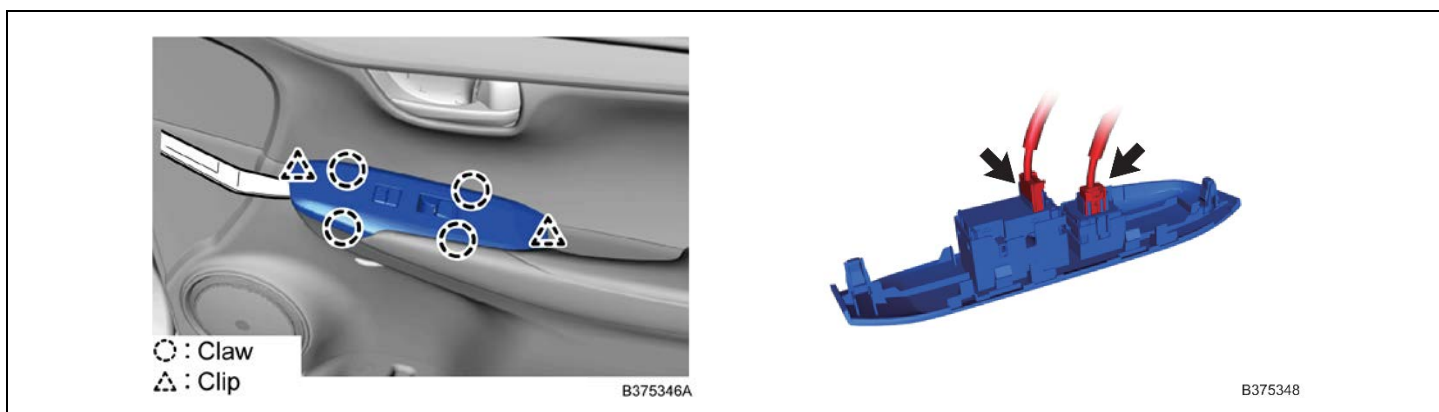
## 6. REMOVE MASTER WINDOW SWITCH (Driver Side)

- Using a molding remover, disengage the 2 clips and 4 claws.
- Disconnect the 2 connectors.



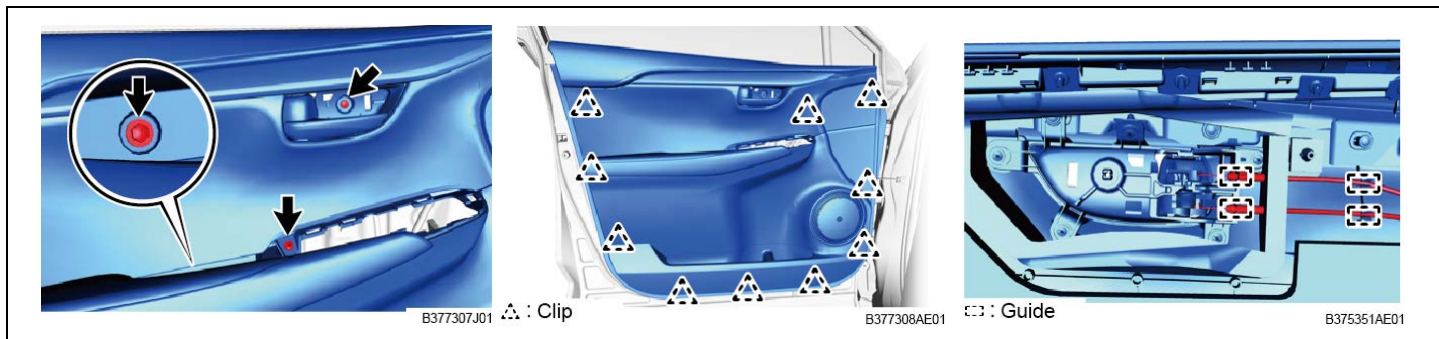
## 7. REMOVE WINDOW SWITCH (Passenger Side)

- Using a molding remover, disengage the 2 clips and 4 claws.
- Disconnect the 2 connectors.



## 8. REMOVE FRONT DOOR PANEL

- Remove the 3 screws.
- Remove the 10 clips and lift the front door panel.
- Disengage the 4 guides and disconnect both front door lock cables from the front door panel.

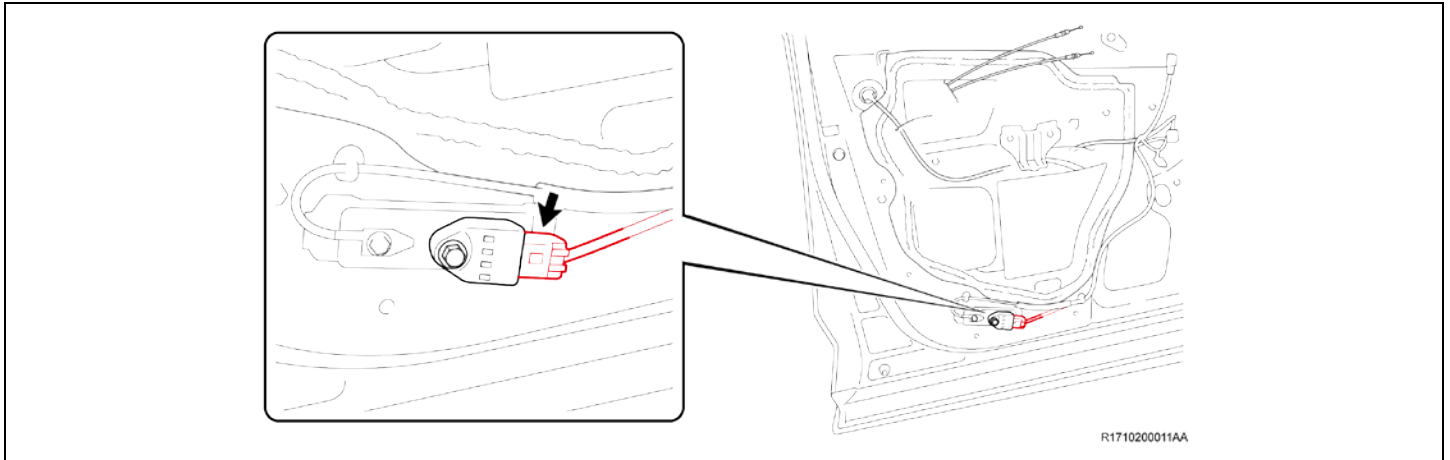


## 9. REMOVE FRONT DOOR AIR BAG SENSOR

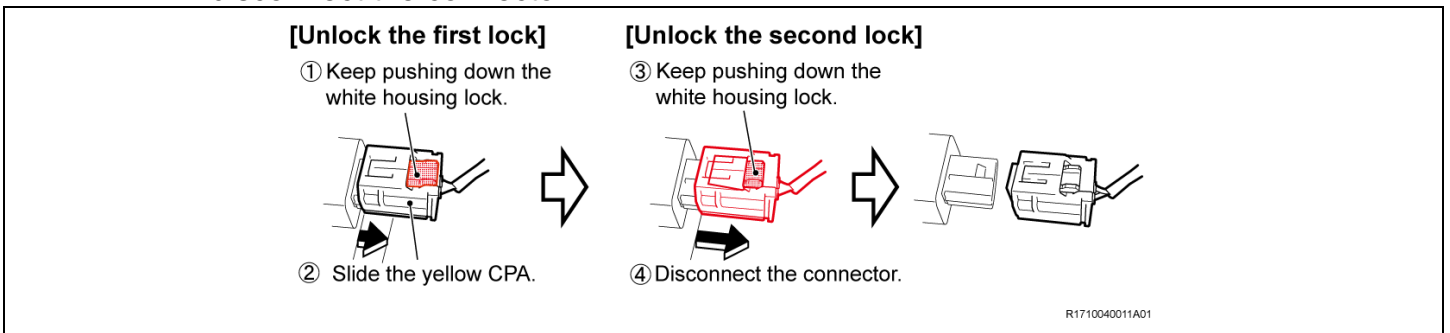
a. Disconnect the connector following the steps below.



- This special connector has a double locking mechanism and needs to be handled with care.
- DO NOT apply pressure on the wire harness.



- (1) To unlock the first lock, keep pushing down the white housing lock and then slide the yellow CPA towards the wire harness.
- (2) To unlock the second lock, keep pushing down the white housing lock again and disconnect the connector.

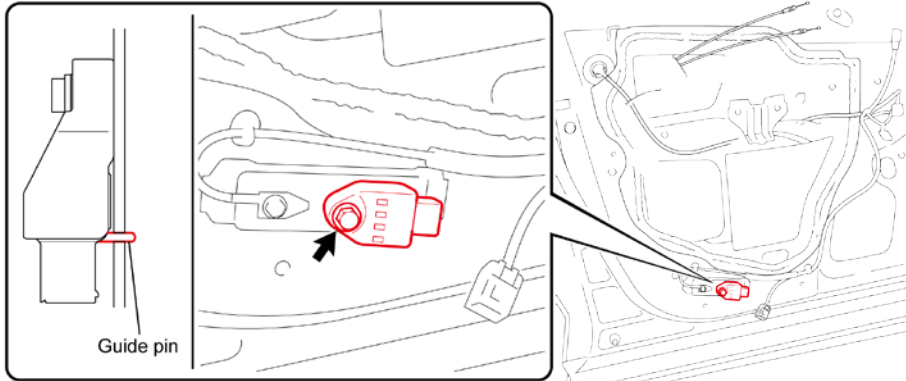


b. Remove the bolt while holding the front door air bag sensor.

c. Mark and store the removed front door air bag sensor in a separate container so as to not reinstall it in error.



**If you DO NOT hold the sensor, it may be rotated together with the bolt and the guide pin may be broken.**



R1710200013AA

## INSTALLATION

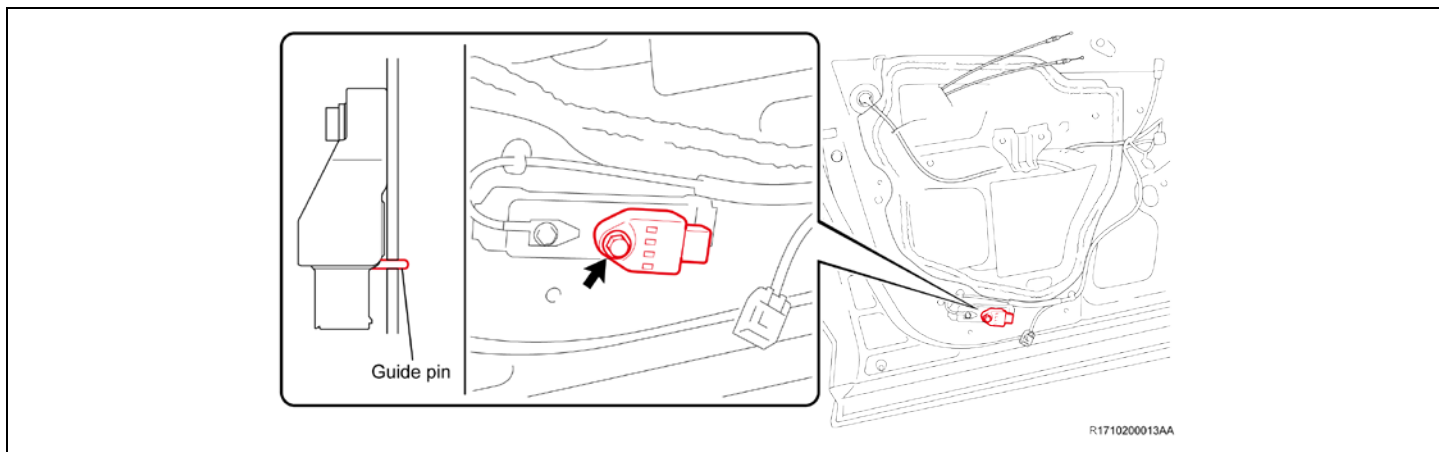
### 1. INSTALL A **NEW** FRONT DOOR AIR BAG SENSOR

- Engage the guide pin of a **NEW** front door air bag sensor and hold it in place.
- Reinstall the bolt.

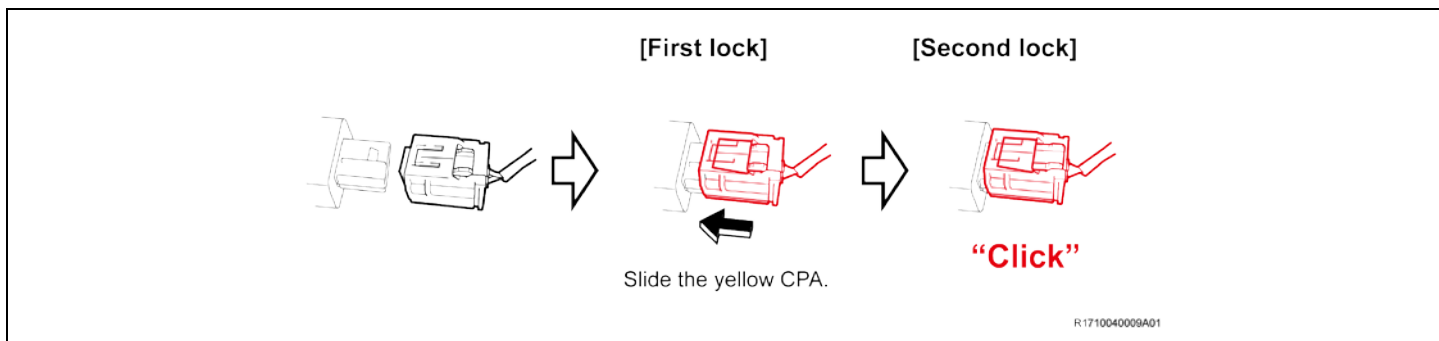
**Torque 80 in.lbs {9 N·m, 92 kgf·cm}**



- DO NOT** use a sensor which has been affected by strong shocks such as being dropped.
- If you DO NOT** hold the sensor, it may be rotated together with the bolt and the guide pin may be broken.



- Engage the connector of the **NEW** front door air bag sensor holding the sides of its yellow CPA (A click sound can be heard).

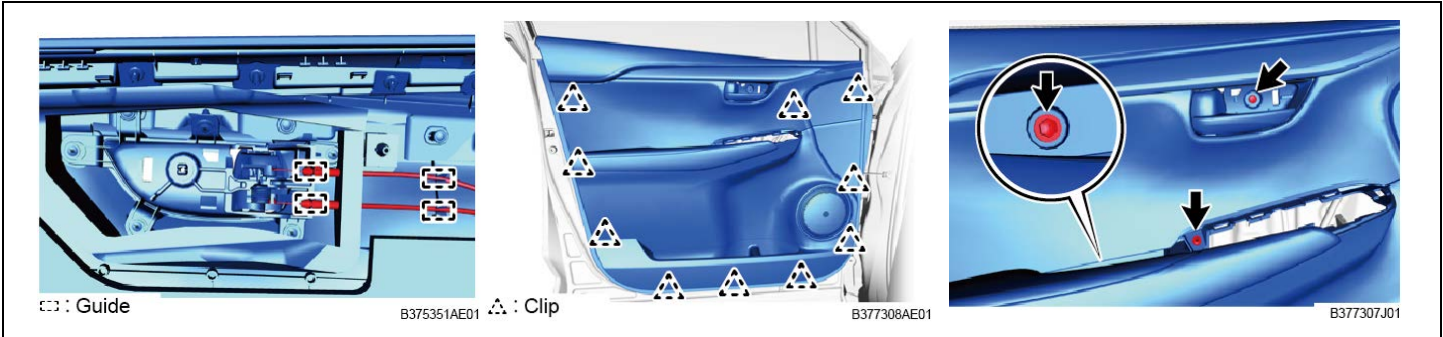


## 2. INSTALL FRONT DOOR PANEL

- Reconnect both front door lock cables to the front door panel and engage the 4 guides.
- Press on the door panel to engage the 10 clips.
- Install the 3 screws.

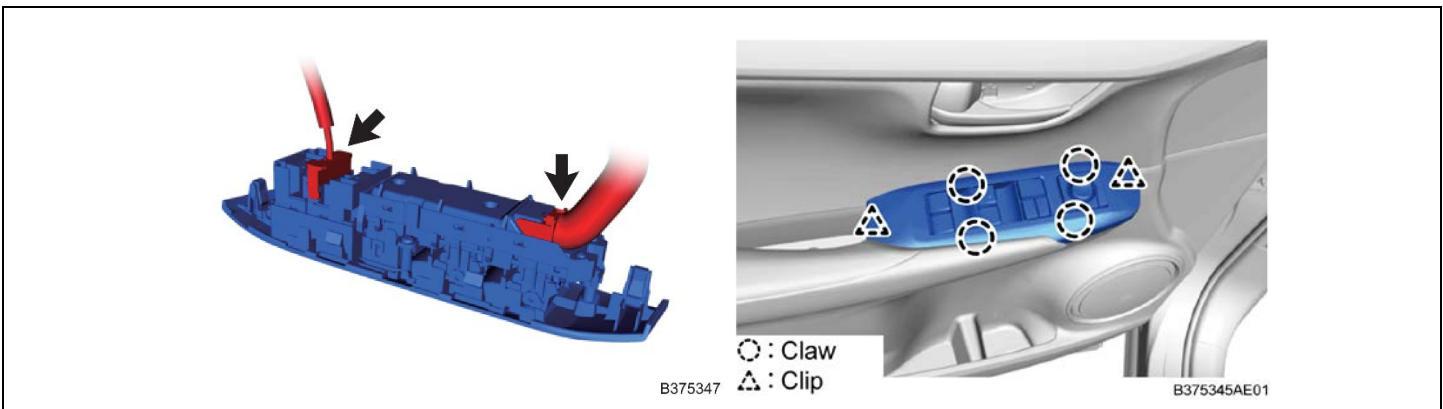


Ensure the cables are **NOT** crossed during installation.



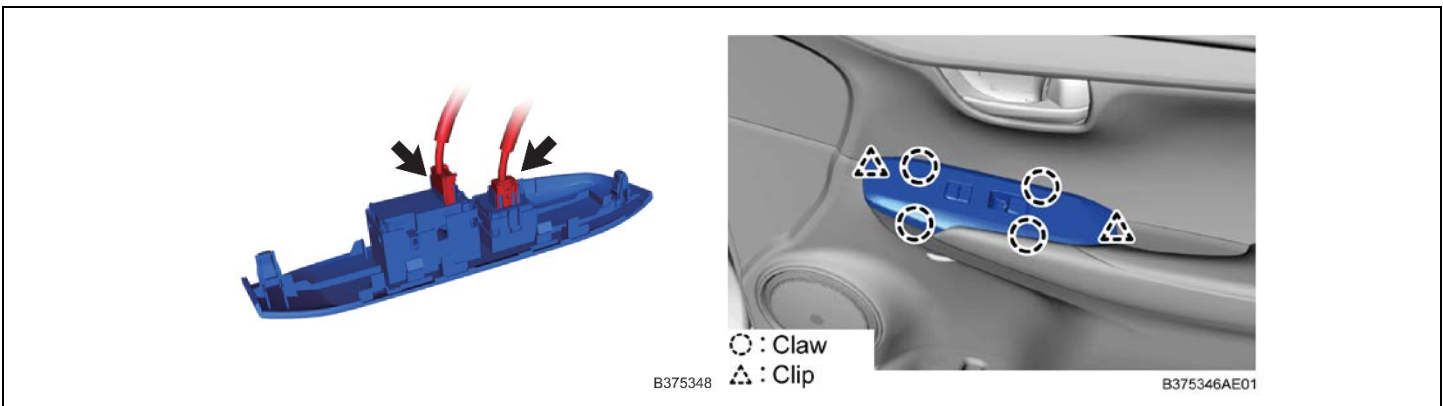
## 3. INSTALL MASTER WINDOW SWITCH (Driver Side)

- Connect the 2 connectors.
- Engage the 2 clips and 4 claws.

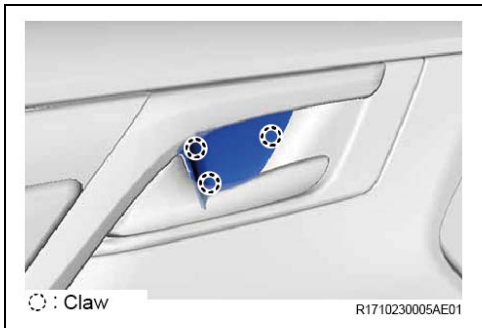


## 4. INSTALL WINDOW SWITCH (Passenger Side)

- Connect the 2 connectors.
- Engage the 2 clips and 4 claws.



## 5. INSTALL FRONT DOOR HANDLE INSERT

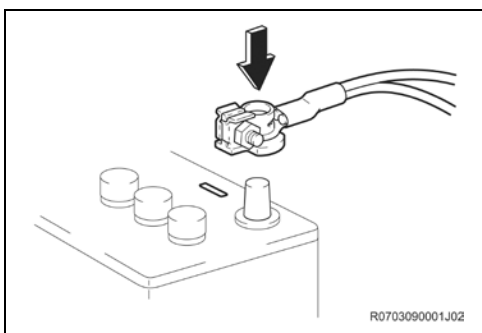


## 6. INSTALL FRONT DOOR INSIDE HANDLE BEZEL

- a. Engage the 3 claws to install the front door inside handle bezel.



Before carrying out the following procedures, replace another sensor if needed.



## 7. RECONNECT NEGATIVE BATTERY CABLE

## 8. INSPECT THE AIR BAG SENSORS USING THE JUDGMENT SOFTWARE

## 9. RESTORE VEHICLE

- a. Perform system initializations.