



Mercedes-Benz

Campaign No. 2020040010, April 2020

TO: ALL MERCEDES-BENZ CENTERS

SUBJECT: **Model W204, X204****Model Years 2013****Replace Front Passenger-side Airbag**

Based on the defect decision of TK Holdings, Inc. ("Takata"), in certain front passenger side airbags produced by Takata used in certain Model Year 2013 Mercedes-Benz vehicles, under specific circumstances, the front passenger side airbag inflator housing may explode during deployment due to excessive internal pressure. This condition is more likely to occur if the vehicle has been exposed to high levels of absolute humidity for extended periods of time. A passenger side inflator explosion during deployment could result in sharp metal fragments striking the passenger or other occupants, possibly causing serious injury or death. To remedy this concern, an authorized Mercedes-Benz dealer will replace the front passenger side airbag on the affected vehicles.

Prior to performing this Recall Campaign:

- **VMI must always be checked before performing campaigns to verify that the campaign is required on a specific vehicle. Always check for any other open campaigns, and perform accordingly.**
- Please review the entire Recall Campaign bulletin and follow the repair procedure exactly as described. Separate work procedures for W204 and X204
- **For more instruction on the SRS light – please see attachment A**

Approximately 84,462 vehicles are involved.

Order No. P-RC-2020040010

This bulletin has been created and maintained in accordance with MBUSA-SLP S423QH001, Document and Data Control, and MBUSA-SLP S424HH001, Control of Quality Records.

**WARNING!**

There is a risk of injury or death when performing testing or repair work on vehicles and when handling vehicle components. Be sure to read and observe all relevant safety instructions in WIS. This procedure must only be performed by trained personnel using proper tools and equipment.



Note: View the front passenger-side airbag replacement videos prior to performing this procedure:

- **Location:** The Learning Link.
- **Course Code:** X0070E-US.MTA (AKUBIS®: Passenger's Airbag Replacement)
- Video is for reference purposes, be sure to follow work sequence and instructions in this Procedure.



1. Load the **Mercedes-Benz PartScan** App. on Apple® i-Phone® or Android® smart phone.

**Note:**

- For Apple® iPhone® Users: The *MB PartScan* App is designed for generations of iPhone 5s and newer. However, for optimal experience and performance, we advise that an iPhone 6 and newer be used for scanning with the *MB PartScan* App.”
- Download app from Apple® store for iPhone® or Google® play for Android® (same as any other app download) then scan the QR code below (Figure 1) to continue download (follow on-screen instructions).
- To install and transmit the data a WiFi connection is required.
- After downloading the App, a one-time security authentication is required by means of encrypted QR code (Figure 1). Verification can be performed by scanning the QR code below (Figure 1), before using the application.
- Ensure that only authorized personnel access to the QR Code (Figure 1) the workshop receives.
- The following e-mail address is provided in the event UHD App support is required for the **Mercedes-Benz PartScan** App process: Mbdiagnosis@mbusa.com



Figure 1

i Note: Prior to replacing airbag, please check for SRS errors or messages in the instrument cluster:

- If an SRS error message is pending before start of work, **it must be documented and accounted for through the details outlined in Attachment A, page 15** Perform the recall repair accordingly.

Work Procedure W 204

1. Disconnect ground line from the on-board electrical system battery.
2. Remove right A-pillar trim (**A, figure 2**).



Figure 2

3. Remove glove box housing

i For basic data of model 204, see **AR68.10-P-1200CW**

i Release inner retaining ring (**figure 3**) at the AUX connection towards the inside. The connection can then be removed from the glove box housing.

i Pull iPod cable **with** rubber grommet out of glove box housing until the connector plug makes contact with the housing. **Do not pull cable out of rubber grommet** because it is bonded to the rubber grommet and will otherwise be damaged!

i Pull out the iPod cable as far as possible and set down glove box housing on the windshield **with** exterior iPod cable connected (**figure 4**).



Figure 3



Figure 4

4. Remove air duct (B, figure 5) above the glove compartment.



Figure 5

5. Unclip and remove cover (**C, figure 6**) at the instrument panel on top.

i With a sound system, also remove speaker under the cover.



Figure 6

6. Remove center console (**AR68.20-P-2000CW**).
7. Remove automatic climate control and operating unit.
i For basic data of model W204, see **AR83.40-P-6350CW**
8. Remove trim (**D, figure 7**) around the instrument cluster.
i For basic data of model W204, see **AR54.30-P-6015CW**.



Figure 7

9. Remove the two bottom threaded connections (**E, figure 8**) of the instrument cluster.

i These screws are simultaneously fasteners for the instrument panel.

i The upper two screws do not need to be removed.



Figure 8

10. Remove four screws (F, figure 9) for fastening the instrument panel



Figure 9

11. Disconnect electrical contacts (G, figure 10) at the front passenger airbag.



Figure 10

12. Remove lock nuts (H, figure 11) for the front the passenger airbag.

i Lock nuts should only be replaced if they are damaged. For more info see:
AH00.00-N-0001-01A / Modification notes 27.10.2016



Figure 11

13. Slightly raise instrument panel at the front passenger side and remove the front passenger airbag in a downwards direction. Take special care not to crack the dashboard material. **DO NOT REMOVE THE DASHBOARD**
14. Use the "Scan VIN" button (figure 12) to scan the vehicle identification number either by the barcode or the text field.
 - i** After scanning, compare the vehicle identification number that has been read in the app and correct any scanning errors manually.
 - i** All required data can also be read off and entered manually.

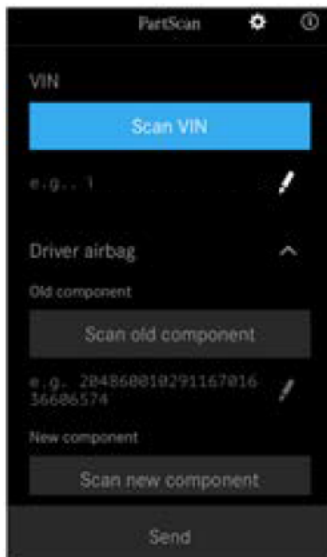


Figure 12

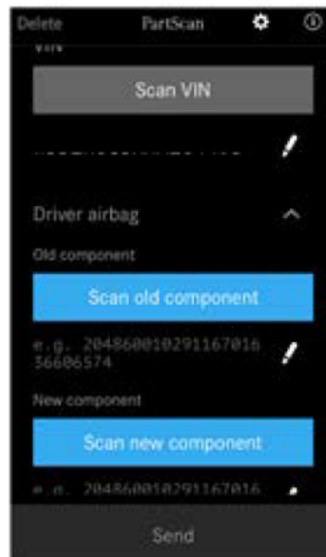


Figure 13



Figure 14

15. Scan the barcodes of the new passenger airbag using the button "Scan new component" (figure 13).
 - i** Ensure that the lower barcode (J, figure 14) is scanned.
 - i** All required data can also be read off and entered manually.

16. Create a scan ID via the "Send" button (figure 15).

i The generated scan ID (figure 16) must be recorded in writing in the workshop order and then stored in a tamper-proof manner.

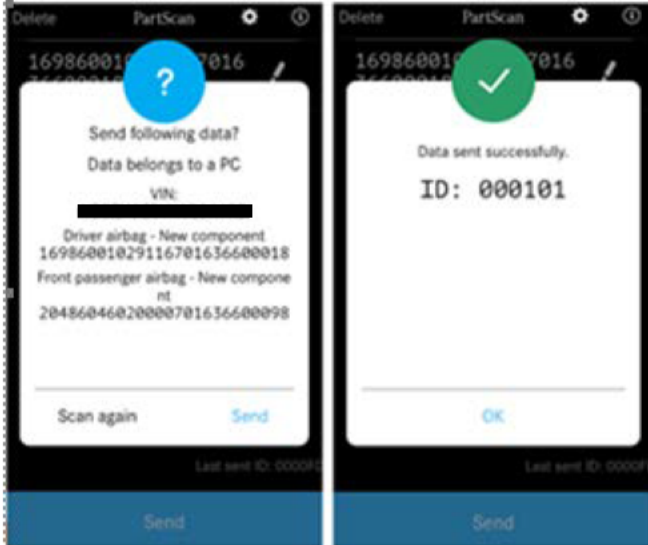


Figure 15

Figure 16

i For order invoicing, it is **mandatory** to enter the "ID" in the comment field of the **EVA / VEGA** application.

ID: _____

17. Carefully insert the new front passenger airbag from below and fasten to the instrument panel with 4 nuts.

i Contrary to the work instructions in WIS, it is **not** necessary to check the supplemental restraint system with XENTRY/DAS following front passenger airbag replacement. Step 21 completes this check.

Nm Nut of front passenger airbag at instrument panel 5 Nm.

18. Place instrument panel back into position and install the air ducts (**K**, figure 17) correctly.

i The air ducts are pulled out when the instrument panel is raised.



Figure 17

19. Assemble in reverse order.

20. Connect ground line to on-board electrical system battery.

21. Turn the transmitter key in the electronic ignition lock to **position 1** and check whether the airbag indicator lamp (**L, figure 18 or 19**) correctly switches off after a few seconds.

i The SRS check is thus completely ensured after airbag replacement.

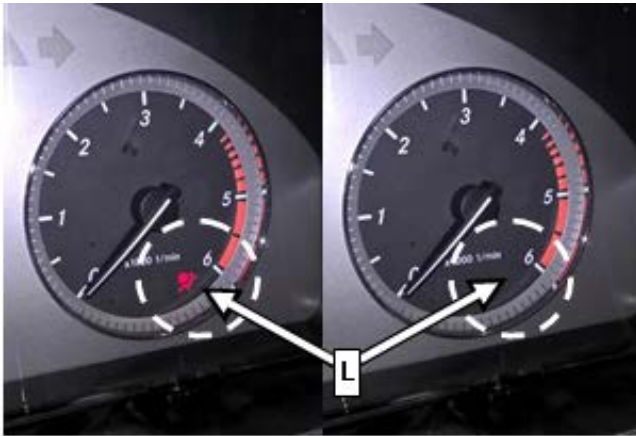


Figure 18



Figure 19

Work Procedure X204

1. Disconnect ground line from the on-board electrical system battery.
2. Remove glove compartment housing (**AR68.10-P-1200CY**).
3. Remove air duct (**B, figure 20**) above the glove compartment.



Figure 20

4. Disconnect electrical contacts (**G**, **figure 21**) at the front passenger airbag.



Figure 21

5. Remove threaded connections (**H**, **figure 22**) for the front the passenger airbag.

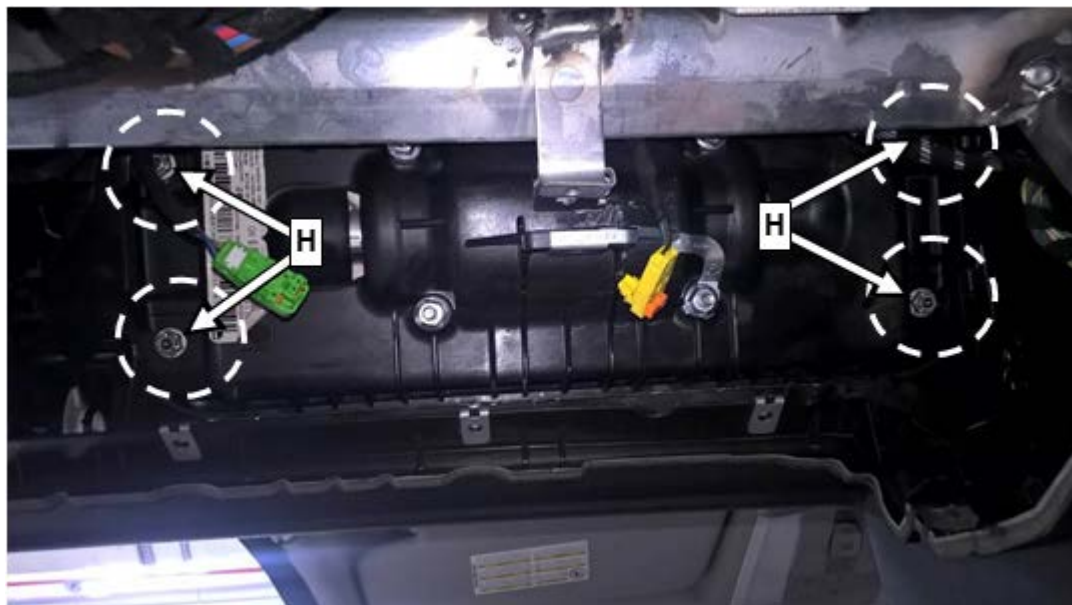


Figure 22

6. Remove Screw (**M**, figure 23) for the front passenger airbag.



Figure 23

7. Remove passenger airbag unit.

i To remove the front passenger airbag, slightly push the bracket (**N**, figure 24) forward.



Figure 24

8. Follow the same scanning procedure with the MB PartScan App as described above for type W204.
9. Install passenger airbag unit.
i Contrary to the work instructions in WIS, it is **not** necessary to check the supplemental restraint system with XENTRY/DAS following front passenger airbag replacement. Step 12 completes this check.
Hm Nut of front passenger airbag at instrument panel **5 Nm**.
10. Assemble in reverse order.

11. Connect ground line to on-board electrical system battery.

12. Turn the transmitter key in the electronic ignition lock to **position 1** and check whether the airbag indicator lamp (**L, figure 25 or 26**) correctly switches off after a few seconds.

i The SRS check is thus completely ensured after airbag replacement.

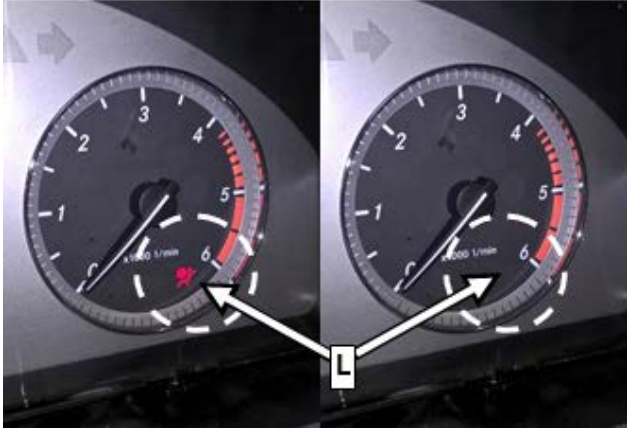


Figure 25

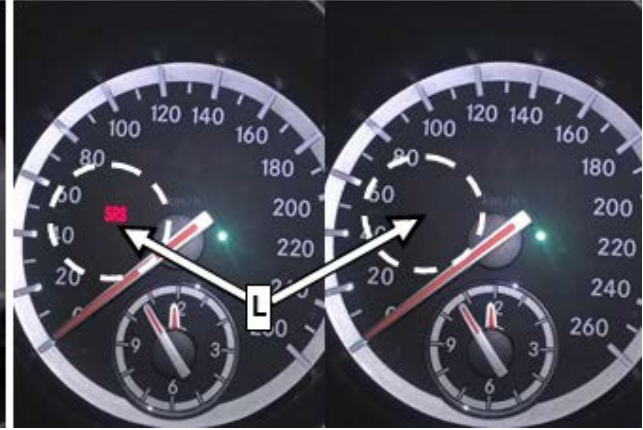
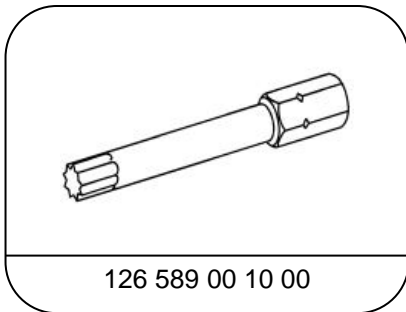


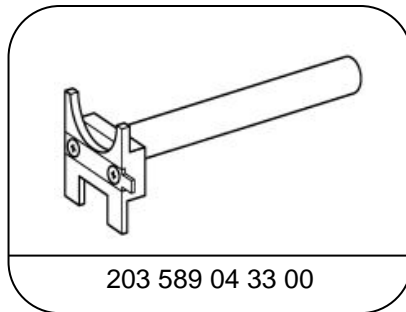
Figure 26

Special Tools



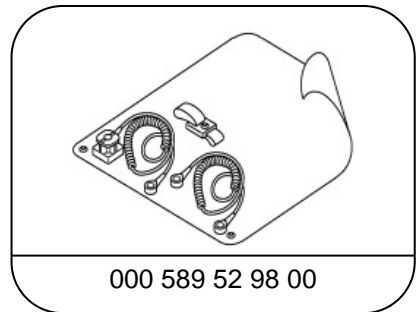
126 589 00 10 00

Screwdriver bit



203 589 04 33 00

Removal lever



000 589 52 98 00

Electro Static Discharge (ESD) kit (or locally sourced equivalent)

i Note:

- Requested parts must be returned in accordance with the warranty parts return requirements section found in the policy and procedures manual.
- Use the attached hazmat shipping document as a guide for shipping airbags.

i Note (regarding WIS documents referenced in this Procedure):

Replacement of parts not listed in the parts table of this Procedure are not claimable under this campaign. If replacement of additional part(s) is necessary, check coverage prior to submitting under warranty.

Primary Parts Information

Qty.	Part Name	Part Number
As required	Front passenger airbag Type 204	A 204 860 12 00 05
As required	Front passenger airbag Type X204	A 204 860 12 00 05

i Note:

- Please be aware that only the part number(s) referenced in the Campaign Bulletin is/are approved for use to repair the vehicle. Repairs performed using any other part(s) will not have been performed in accordance with the campaign. Accordingly, warranty claims submitted with reference to an improper part number(s) will be denied.
- The following allowable labor operation should be used when submitting a warranty claim for this repair:

Warranty Information

Operation: Replace front passenger airbag (02-1525)

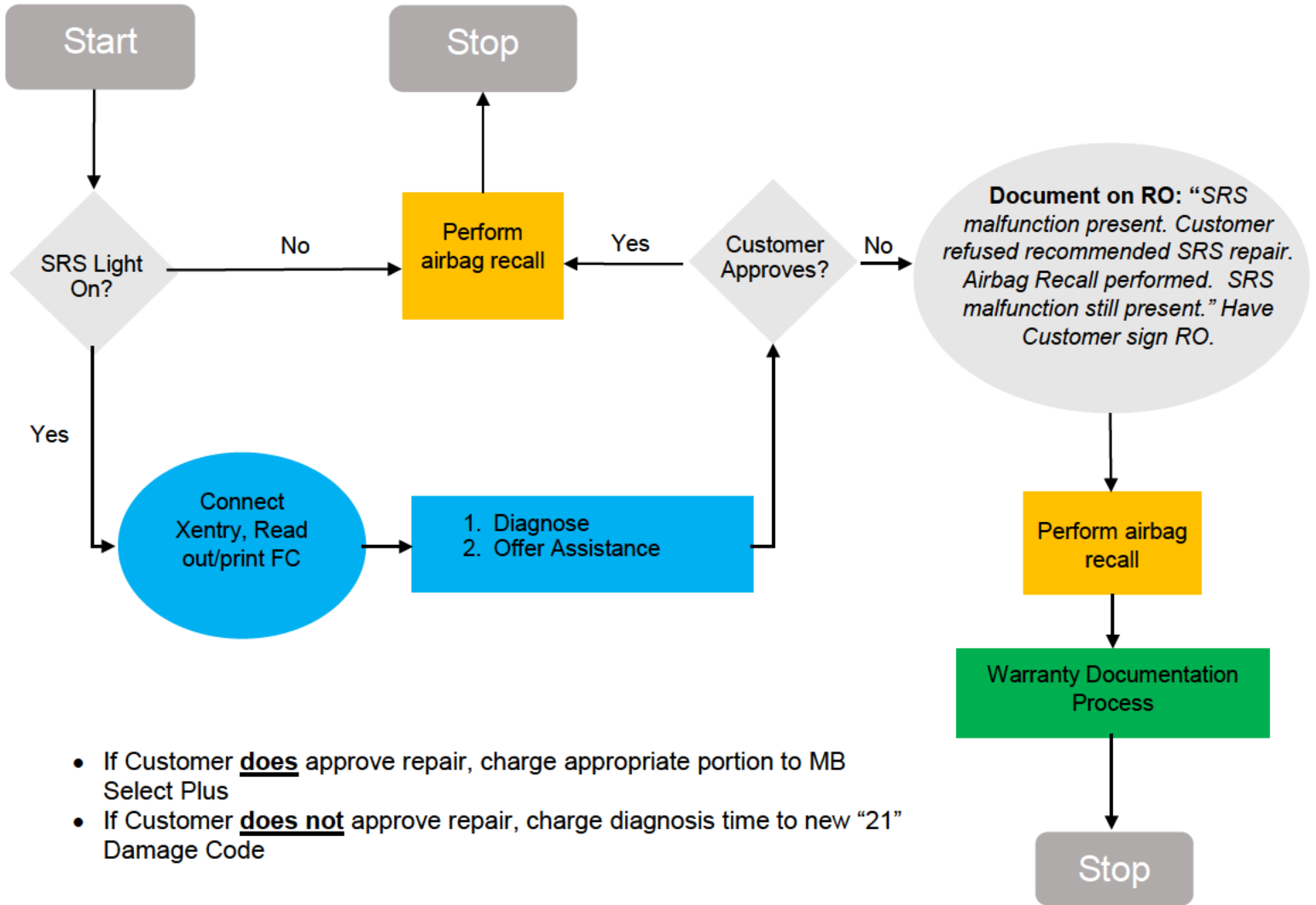
Damage Code	Operation Number	Labor Time (hrs.)
91 940 08 7	02-1525 (W 204)	1.4
	02-1525 (X 204)	1.0

(Includes: Disconnecting and connecting ground cable of on-board electrical system battery).

i Note

Operation Number labor times are subject to change.

Attachment A - SRS Light Diagnosis/Repair Process - Takata Airbag Recall Only



- If Customer **does** approve repair, charge appropriate portion to MB Select Plus
- If Customer **does not** approve repair, charge diagnosis time to new "21" Damage Code

Legend

- Claim against MB-Select Plus
- Claim against Recall
- Claim against new "21" damage code

Warranty Documentation Process

1. Claim against new "21" damage code
 - a) **21664 00 Takata Diagnosis – No Repair**
2. Up to 2 hours diagnostic time permitted
3. Ensure diagnostic time is properly punched on RO
4. Ensure RO is documented properly
5. Attach RO to warranty claim



Hazardous Materials Shipping Instructions - GROUND

Part Name: Airbag Part Numbers:	Hazardous Properties: Contains initiating component which deploys (inflates) airbag.
------------------------------------	---

STRAIGHT BILL OF LADING ORIGINAL - NOT NEGOTIABLE							
PIECES	IN	HM	DESCRIPTION	WEIGHT	RATE	CHARGES	CLASS
1 box		X	UN3268, Safety devices, 9	<i>Write gross weight of box here</i>			
This is to certify that the above-named materials are properly classified, described, packaged, marked and labeled, and are in proper condition for transportation according to the applicable regulations of the Department of Transportation.							
SHIPPER HazMat Employee Signs				CARRIER Name of Carrier			
EMERGENCY CONTACT: CHEMTREC 1-800-424-9300							

Steps to Return an Airbag:

REQUIRED PACKAGING:

- Carefully open received box and remove new airbag. Keep box intact & save all contents!
- Place used airbag into replacement airbag box, re-using any packaging material (e.g., cardboard inserts) used for the new airbag. Package as the new airbag was packaged.
- Use plastic adhesive tape 50 mm wide to secure the box closed. Do not obscure labels or text on the box with the tape.
- Ensure that the 4G fiberboard box is not ripped or damaged.

REQUIRED LABELS:

- A Class 9 Miscellaneous label must be clearly visible on one side of the box.

REQUIRED PACKAGE MARKINGS:

- The following words ("marking") must also be clearly visible on the same side of the box as the Class 9 label:
Safety devices
UN3268 (font size must be $\geq \frac{1}{2}$ inch)
- Affix "To/From" address label to same or adjacent packaging face as the hazardous markings/labels.
- The UN 4G code preprinted near the bottom edge of the box must also be clearly visible.

DOCUMENTATION:

- Include a HAZMAT bill of lading (see above example) with the package. For returns via DDS or FedEx Ground, the system will generate the Hazmat bill of lading.

COMMENTS:

- **Note:** The Packing Group and the EX# are no longer required to be printed on the HAZMAT bill of lading.
- **Package example:**



Questions? Contact MBUSA Corporate EH&S at (630) 462-3440 or (770) 705-2578

12/5/2016



Mercedes-Benz



Hazardous Materials Shipping Instructions for shipments using an Overpack - GROUND

Part Name: Airbag Part Numbers:	Hazardous Properties: Contains initiating component which deploys (inflates) airbags.
------------------------------------	--

STRAIGHT BILL OF LADING ORIGINAL - NOT NEGOTIABLE							
PIECE	IN	HM	DESCRIPTION	WEIGHT	RATE	CHARGES	CLASS
1 box		X	UN3268, Safety devices, 9 OVERPACK USED	Write gross weight of box here			

This is to certify that the above-named materials are properly classified, described, packaged, marked and labeled, and are in proper condition for transportation according to the applicable regulations of the Department of Transportation.

SHIPPER	HazMat Employee Signs	CARRIER	Name of Carrier
EMERGENCY CONTACT: CHEMTREC 1-800-424-9300			

Steps to Return Multiple Airbags in 1 Box:

REQUIRED PACKAGING:

- Carefully open received UN spec box and remove new airbag. Keep the box intact & save all contents!
- Place used airbag back into replacement airbag box, re-using any packaging material (e.g., cardboard inserts) used for the new airbag. Package as the new airbag was packaged.
- Use plastic adhesive packaging tape 50 mm wide to secure box closed. Do not obscure labels or text on box with tape.

REQUIRED LABELS:

- A Class 9 Miscellaneous label must be clearly visible on one side of the box.

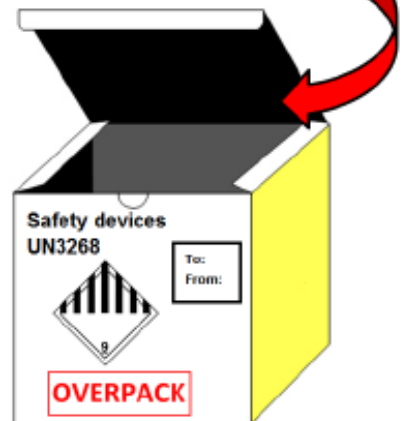
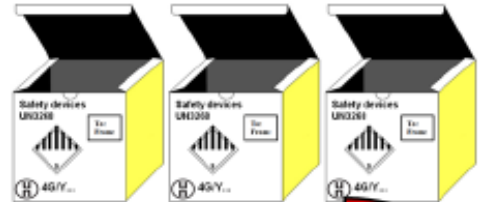
REQUIRED PACKAGE MARKINGS:

- The following words ("markings") must also be clearly visible on the same side of the box as the label:
Safety devices
UN3268 (font size must be $\geq \frac{1}{2}$ inch)
- Affix "To/From" address label to same or adjacent packaging face as the hazardous markings/labels.
- The UN 4G code preprinted near the bottom edge of the box must also be clearly visible.

OVERPACKS (more than 1 airbag sent as 1 shipment):

- Package each airbag in a separate UN spec box prepared with the labels/markings described above.
- Place each individual airbag box inside a larger non-UN spec box to keep the shipment together.
- This larger box is called an "OVERPACK."

- The OVERPACK must have the identical markings and label as the boxes contained inside.
- The OVERPACK must have the "OVERPACK" statement on the same face as the hazard markings and labels. **Package example:**



Questions? Contact MBUSA Corporate EH&S at (630) 462-3440 or (770) 705-2578

12/5/2016