



TAP Worldwide, LLC d/b/a/ Transamerican Auto Parts
400 West Artesia Boulevard
Compton, California 90220 USA
888-376-1417

RECALL NO. 18E-117

IMPORTANT SAFETY RECALL

This notice applies to your Poison Spyder Frame Mounted Tire Carrier, part number 19-62-030TP1. This notice is sent to you in accordance with the National Traffic and Motor Vehicle Safety Act.

Date: February 12, 2019

Dear Valued TAP Worldwide, LLC Customer,

REASON FOR NOTICE

TAP Worldwide, LLC has decided that the above-referenced Poison Spyder Frame Mounted Tire Carrier does not comply with FMVSS 108 because the product does not provide a license plate lamp and could interfere with the center high-mounted stop lamp positioning. An inoperable center high-mounted stop lamp may not properly alert following vehicles that the driven vehicle is coming to a stop, which could increase the risk of a crash.

TAP Worldwide, LLC has also determined that the above-referenced Poison Spyder Frame Mounted Tire Carrier does not comply with FMVSS 111 because the product renders the rear visibility system (back-up camera) inoperable. Because the rear visibility system does not operate as intended with the Poison Spyder Frame Mounted Tire Carrier installed, there could be an increased risk of death or injury resulting from a back-over incident if the driver of the vehicle does not check his or her surroundings before reversing.

WHAT SHOULD YOU DO

You should contact TAP Worldwide, LLC's Recall Parts Assistance Department by phone at 1-888-376-1417 or by email at recallpartsassistance@4wp.com immediately to identify the recommended service facility closest to you that can provide and/or install a replacement Poison Spyder Frame Mounted Tire Carrier (or provision which corrects the issues referenced above). Alternatively, you may request that the replacement Poison Spyder Frame Mounted Tire Carrier (or provision which corrects the issues referenced above) be sent to your home address, so that you can install it yourself using the attached instructions.

WHAT WE WILL DO

TAP Worldwide, LLC has created a replacement Poison Spyder Frame Mounted Tire Carrier and a provision that will include the original equipment back-up camera and will not interfere with the license plate lamp or center high-mounted stop lamp, free of charge. The replacement parts will be available starting February 15, 2019.

REIMBURSEMENT

If you have already paid to address the issues covered by this recall, you may be eligible to have those costs reimbursed. Requests for reimbursement may include the cost(s) of parts, labor, fees and taxes; however, expenses for inconvenience you may have suffered due to the loss of use of your vehicle will not be reimbursed. Reimbursement will be limited to the amount the repair would have cost if completed by an authorized service facility.

To be eligible for reimbursement:

- You must have had the subject part repaired before receiving this notice, and
- You must have owned the vehicle at the time of repair.

NOTE: You will still be eligible for reimbursement even if you no longer own the vehicle.

Your reimbursement claim will be acted upon within sixty (60) days after receipt. If your claim is approved, you will receive a check in the mail. If your claim is denied, you will receive a letter setting forth the reason(s) for the denial. If your claim is deemed incomplete, you will receive a letter identifying the supplementation needed to complete the claim, and you will be offered an opportunity to resubmit it.

To file a claim for reimbursement, please contact the TAP Worldwide, LLC Recall Parts Assistance Department toll free by phone at 1-888-376-1417 or by email at recallpartsassistance@4wp.com. Please be prepared to provide the following information:

- Your name;
- Your mailing address;
- Your e-mail address;
- Your phone number;
- The applicable recalled part name and/or number;
- The date(s) the repair was performed; and
- The amount of the reimbursement you are requesting.

Please also be prepared to submit original or clear copies of all receipts, invoices, and/or repair orders showing:

- The name and address of the person who paid for the repair;
- The part name and number of the item that was repaired;
- The 17-digit Vehicle Identification Number of the vehicle that was repaired (if applicable);
- The total cost of the repair expense that is being claimed; and
- Proof of payment for the repair in question and the date of the payment.

Failure to include proper documentation may delay your reimbursement. Alternatively, you may fill out the Claim Form enclosed with this recall notice and submit it, together with the documentation referenced above, by mail to the address listed in the Claim Form. If you have questions, please call the TAP Worldwide, LLC Recall Parts Assistance Department toll free at 1-888-376-1417.

CONTACT INFORMATION

If you have any questions regarding this matter, if you have any problems obtaining the needed repair and/or reimbursement, or if you believe that the repair has not been made within a reasonable period of time, you may contact us by phone at 1-888-376-1417, by email at recallpartsassistance@4wp.com, or by mail to the following address:

TAP Worldwide, LLC
Attn: Recall Parts Assistance
400 West Artesia Boulevard
Compton, California 90220 USA

If, after contacting TAP Worldwide, LLC, you still have a problem getting this repair made within a reasonable period of time and/or without charge, you may submit a complaint to the Administrator, National Highway Traffic Safety Administration, 1200 New Jersey Ave., SE., Washington DC 20590; or call the toll-free Vehicle Safety Hotline at 1-888-327-4236 (TTY: 1-800-424-9153); or go to <http://www.safercar.gov>. If you are a vehicle lessor, federal law requires that you forward a copy of this recall notice to the lessee within ten (10) days.

Your continued satisfaction with our products is important to us. Please understand that we have taken this action in the interest of your safety and your vehicle's proper operation. We regret any inconvenience that this action may cause you.

Sincerely,

TAP Worldwide, LLC

Customer Reimbursement Claim Form

This section to be completed by the claimant

Date Claim Submitted: _____

Part Name and Number: _____

Date of Repair: _____

Claimant Name: _____

Street Address or PO Box Number: _____

City: _____ State: _____ Zip Code: _____

Claimant Email: _____

Telephone Number: _____

Amount of Reimbursement Requested: _____

Original or clear copies of all receipts, invoices and/or repair orders showing the following must be submitted with this Claim Form:

- Name and address of the person who paid for the repair;
- The part name and number of the item that was repaired;
- The 17-digit Vehicle Identification Number of the vehicle that was repaired (if applicable);
- The total cost of the repair expense that is being claimed; and
- Payment for the repair in question and the date of the payment.

By signing this document, you attest that the information provided on this form and all attached documents are genuine and that you request reimbursement for the expense incurred for the repair covered by this letter.

Claimant's Signature: _____

Please mail this Claim Form and the required documents to:

TAP Worldwide, LLC
Attn: Recall Parts Assistance
400 West Artesia Boulevard
Compton, California 90220 USA

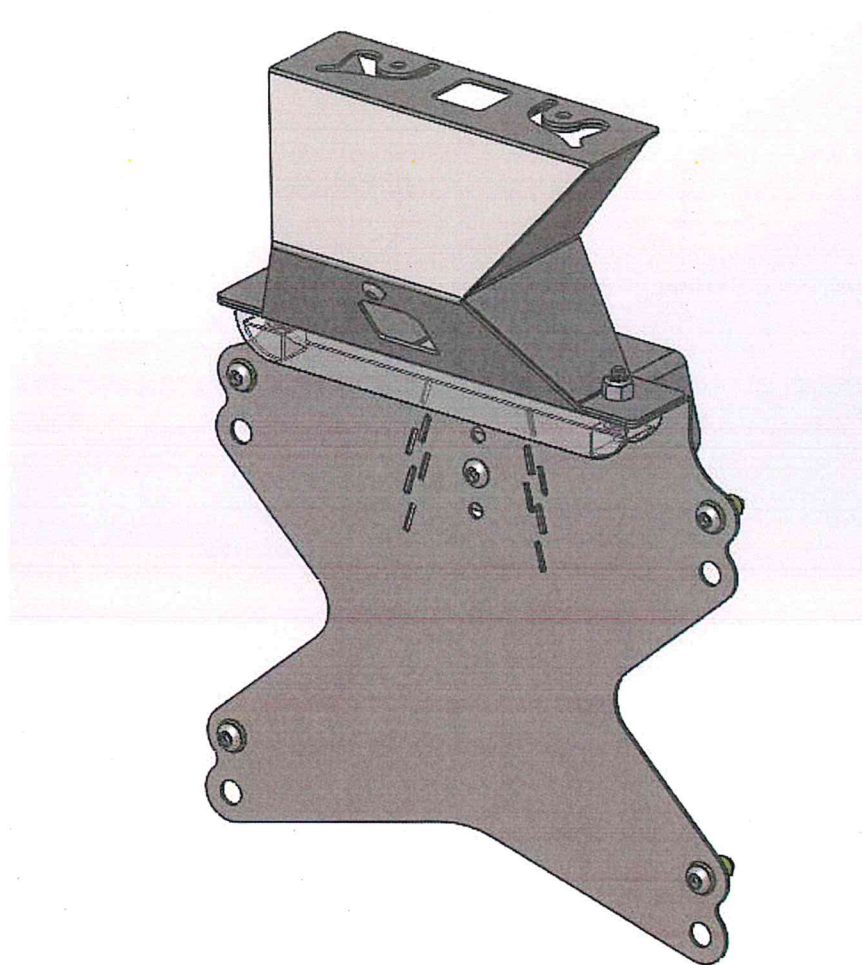
Reimbursement questions should be directed to the Recall Parts Assistance Department at 1-888-376-1417, or email at recallpartsassistance@4wp.com.



REVERSE CAMERA MOUNT INSTALL

IMPORTANT: Thank you for purchasing Poison Spyder Reverse Camera Mount for your Jeep JL. Installation is fairly simple with the right tools and good mechanical abilities. If you are not confident in your mechanical skills, please seek the help of a professional to perform the installation. Please read through these entire instructions before proceeding with installation. Check your packages immediately upon arrival to ensure that everything listed is included, and to check for damage during shipping. If anything is missing or damaged, or if you need technical assistance with any aspect of this installation, call Poison Spyder at (951) 849-5911 as soon as possible. This document last updated Jan 2019.

APPLICATION : 41-08-030



PARTS LIST

- (1) 96-41-08-030-01 REVERSE CAMERA MOUNT - MAIN BRACKET**
- (1) 96-41-08-030-02 REVERSE CAMERA MOUNT - DRV SIDE END CAP**
- (1) 96-41-08-030-02M REVERSE CAMERA MOUNT - PASS SIDE END CAP**
- (1) 96-41-08-030-03 REVERSE CAMERA MOUNT - TG BRACKET**
- (1) 96-41-08-030-04 REVERSE CAMERA MOUNT - CAMERA BRACKET**
- (1) 90-41-08-030-05 LED LIGHT**
- (1) 90-41-08-030-06 TG EXTENSION CABLE**
- (1) HWKIT-41-08-030 HARDWARE KIT**

- Includes:**
- (1) 8-32 X 0.50 SS BUTTON HEAD HEX DRIVE SCREW**
 - (2) 8-32 X 0.75 SS BUTTON HEAD HEX DRIVE SCREW**
 - (3) 8-32 SS NYLON-INSERT LOCKNUT**
 - (5) 10-24 ZC HD RIVET NUT**
 - (5) 10-24 X 0.625 SS BUTTON HEAD HEX DRIVE SCREW**

SUGGESTED TOOLS

- **Basics Mechanics Tool Set with Hex keys and Torx screwdrivers**
- **Nutsert Tool with 10-24 mandrel**

NOTE

This is not a repair kit. Before starting the installation, verify that your Jeep OE components are in proper working order. Any vehicle modification's may change the field of view of your reverse camera. Do not rely on the reverse camera alone. Always exercise caution and check your surroundings while backing-up.

INSTALLATION OF TG EXTENSION CABLE (90-41-08-030-06)

1. Open the tailgate and by starting on the latch side, using a plastic pry bar, carefully remove the rear interior panel and set aside (IMAGE -01).



IMAGE -01

2. Once the panel is removed, remove the scissor jack cover, jack, and jack handle. Locate the TG EXTENSION CABLE wiring harness in your box. Under the left side of your bumper connect the female end of the harness extension to the OE license plate light plug. Run the other end over the frame up through the drain hole in the scissor jack storage compartment (IMAGE -02). Secure the harness to the frame with cable ties as needed.



IMAGE -02

3. On the inside of the tailgate, pull back the section of weather stripping in the lower hinge area, exposing the edge of the plastic interior panels. Run the new TG EXTENSION CABLE light harness along the OE harness securing it with cable ties as needed (IMAGE -03). Carefully, without snipping any wires, cut a small hole at both ends of the OE fabric wiring loom. Insert the new harness through the loom and down the body under the OE panels. Run the other end of the cable extension through the end of the OE fabric wiring loom (IMAGE -04) and through the lower tailgate hole leaving about 18-20" of slack hanging out (IMAGE -05). Coil any excess wiring under the OE paneling to protect it. Re-install weather stripping, jack, jack handle, and cover.



IMAGE -03



IMAGE -04



IMAGE -05

*** Note ***

This part works with the JEEP JL TIRE CARRIER ASSEMBLY (**19-62-030TP1**) and TIRE CARRIER DELETE PLATE (**19-04-012P1**). You will be reusing the factory OEM 3rd Brake Light and Reverse Camera. Carefully disconnect electrical connectors and remove from the OEM plastic spare tire carrier. Keep these for assembly later.

41-08-030 General Part Assembly

1. First, insert the OE Reverse Camera into the cut-out on the MAIN BRACKET. Use the CAMERA BRACKET, the (1) 8-32 X 0.50 SS BUTTON HEAD HEX DRIVE SCREW, and (1) 8-32 SS NYLON-INSERT LOCKNUT to hold down and keep the camera in place (**IMAGE -06**).
2. To assemble the LED LIGHT, gather the following parts: MAIN BRACKET, DRV SIDE END CAP, PASS SIDE END CAP. First, feed the LED LIGHT leads and connector through the rectangular hole located in the center of the first flange on the MAIN BRACKET. Line-up the top and bottom holes of the DRV SIDE END CAP to the holes on the MAIN BRACKET. Then, install (2) 8-32 X 0.75 SS BUTTON HEAD HEX DRIVE SCREW, and (2) 8-32 SS NYLON-INSERT LOCKNUT to attach the light and side caps to the main bracket. Hand tighten the hardware as some adjustability may be needed when installing the 3rd Brake light in the next step (**IMAGE -07**). Repeat for the PASS SIDE END CAP (**IMAGE -08**).

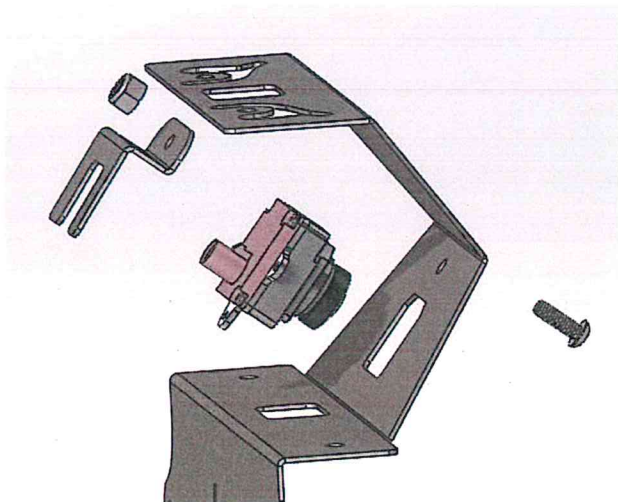


IMAGE -06

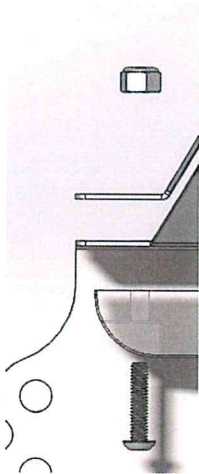


IMAGE -07

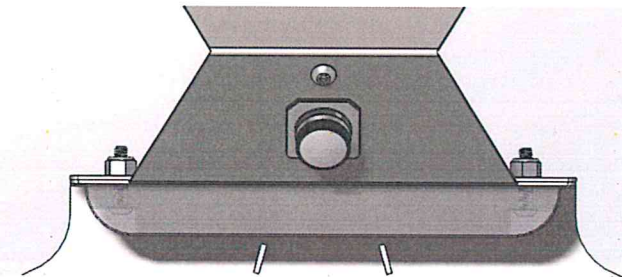


IMAGE -08

- Now, to attach the OE 3rd Brake Light. Remove the (2) screws with a Torx T15, and set aside to reuse. Align the bottom 3rd Brake Light hole pattern, to the hole pattern on the top of the MAIN BRACKET assembly (IMAGE -10). Once, the brake light is resting on the top of the MAIN BRACKET assembly, reinstall the (2) T15 screws, and tighten to a snug fit (IMAGE -09).



IMAGE -9

- You can now fully tighten the hardware to finish the general main assembly.
- Now review the ***NOTE*** above and identify which product you will be installing this on. Refer to the respective product installation procedures below.

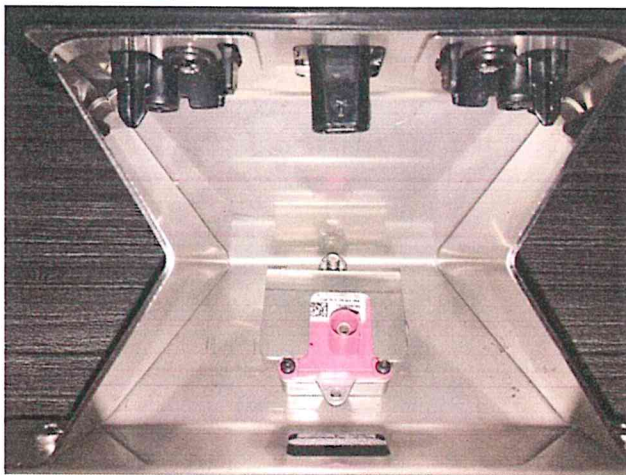


IMAGE -10

INSTALLATION ON JL TIRE CARRIER DELETE PLATE (19-04-012P1)

Note

You will reuse the original TIRE CARRIER DELETE PLATE hardware, #10-24 STAINLESS STEEL NYLON INSERT LOCK NUT, and you can choose to use the original #10-24 x 0.75" 18-8 STAINLESS STEEL BUTTON HEAD SOCKET CAP SCREW or the new #10-24 X 0.625 SS BUTTON HEAD HEX DRIVE SCREW provided. The following components will NOT be used with the JL TIRE CARRIER DELETE PLATE:

- (1) **96-41-08-030-03 REVERSE CAMERA MOUNT - TC BRACKET**
- (5) **10-24 ZC HD RIVET NUT**
- (4) **10-24 X 0.625 SS BUTTON HEAD HEX DRIVE SCREW (OPTIONAL)**

1. First remove your TIRE CARRIER DELETE PLATE from your Jeep and then detach your license plate. Keep hardware for reinstallation later.
2. The REVERSE CAMERA MOUNT will be attached to the TIRE CARRIER DELETE PLATE using the same (4) license plate mounting holes. Align the lower set of holes from the MAIN BRACKET to the holes on the delete plate. The MAIN BRACKET will be sandwiched between the delete plate, and license plate. Insert the #10-24 hardware through the license plate, MAIN BRACKET, and TIRE CARRIER DELETE PLATE and fully tighten down all four screws (**IMAGE -11**).
3. Reinstall the TIRE CARRIER DELETE PLATE with the original hardware.
4. Once the TIRE CARRIER DELETE PLATE and REVERSE CAMERA MOUNT are completely assembled and mounted back on your Jeep, re-attach your OE electrical harness to the 3rd brake light, and reverse camera, and attach your new TG EXTENSION CABLE to the license plate light.

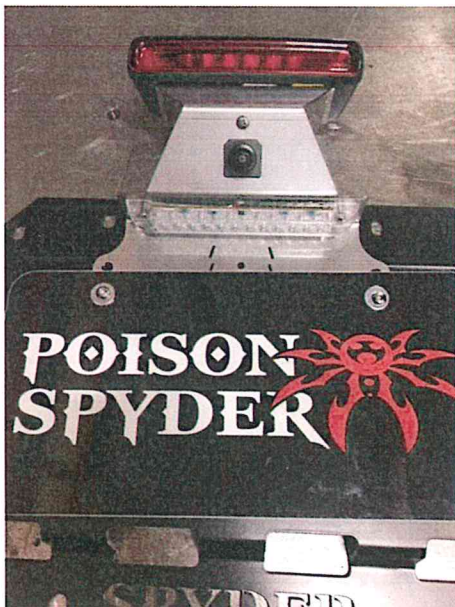


IMAGE -11

INSTALLATION ON JEEP JL TIRE CARRIER ASSEMBLY (19-62-030TP1)***Note***

This will be replacing the LICENSE PLATE MOUNT (**89-17-61-030-3**) from your current JEEP JL TIRE CARRIER ASSEMBLY (**19-62-030TP1**). You will also be reusing the original hardware listed below from the JEEP JL TIRE CARRIER ASSEMBLY.

- (2) 70-0250751800 1/4-20 x 0.75" YELLOW ZINC GRADE 8 HEX CAP SCREW
- (4) 73-02500834 1/4 HIGH STRENGTH SAE YELLOW ZINC FLAT WASHER
- (2) 72-025100812 1/4-20 YELLOW ZINC FINISH NE GRADE 8 NYLON INSERT LOCK NUT

You will not be able to reuse the license plate hardware as it will not fit the new REVERSE CAMERA MOUNT.

1. First, install (1) 10-24 ZC HD RIVET NUT on to the TC BRACKET. Do not install any rivet nuts into the MAIN BRACKET until after you have test fit the REVERSE CAMERA MOUNT in the following steps (**IMAGE -12**).



IMAGE -12

2. Next, remove your license plate and the LICENSE PLATE MOUNT from the tire carrier. Now install the TC BRACKET with the hardware listed above. Hand tighten hardware so you can adjust the fitment in the next step (**IMAGE -13**).



IMAGE -13

3. Once your TC BRACKET is attached to the tire carrier, you now want to test fit the assembled REVERSE CAMERA MOUNT on the tire carrier to see how it sits within your spare tire wheel. The TC BRACKET can be adjusted forward or backward to accommodate different wheel widths, and you can set how inward or outward you want the REVERSE CAMERA MOUNT to sit. By using the center hole pattern on the MAIN BRACKET, you can adjust the height up or down before installing the center (1) 10-24 X 0.625 SS BUTTON HEAD HEX DRIVE SCREW. You can also adjust the location of your license plate by choosing between one of the two hole sets.

Note do not install the (4) 10-24 ZC HD RIVET NUT for the license plate until you've properly test fit and have decided which hole set to use.

4. After you have test fit the components and have chosen how you want it to properly fit within your spare tire wheel, tighten the TC BRACKET hardware so it stays in place to your chosen extension length. Now remove the assembled REVERSE CAMERA MOUNT piece in preparation for final assembly.
5. With the REVERSE CAMERA MOUNT removed from the tire carrier, install the (4) 10-24 ZC HD RIVET NUT paying extra attention to prevent installation into the wrong hole set (IMAGE -14).
7. Once the whole REVERSE CAMERA MOUNT assembly is installed on the tire carrier, then route your OE electrical harness and TG EXTENSION CABLE up the center brace of the tire carrier, using cable ties as needed to keep it in place. Then route the cables through your spare tire's rim and re-attach your OE electrical harness to the 3rd brake light, and reverse camera, and attach your new TG EXTENSION CABLE to the license plate light (IMAGE -16,17).

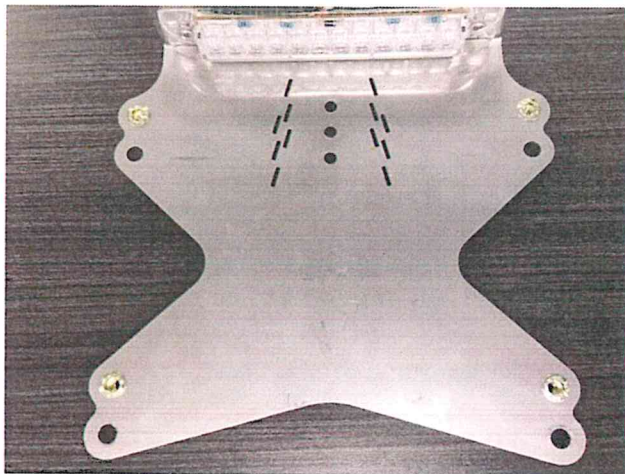


IMAGE -14

6. Verify that all hardware is fully tightened. You can now install the assembled REVERSE CAMERA MOUNT, and attach it to the TC BRACKET. Fully tighten the center (1) 10-24 X 0.625 SS BUTTON HEAD HEX DRIVE SCREW (IMAGE -15).

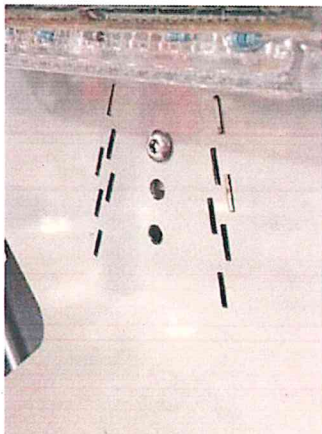


IMAGE -15



IMAGE -16

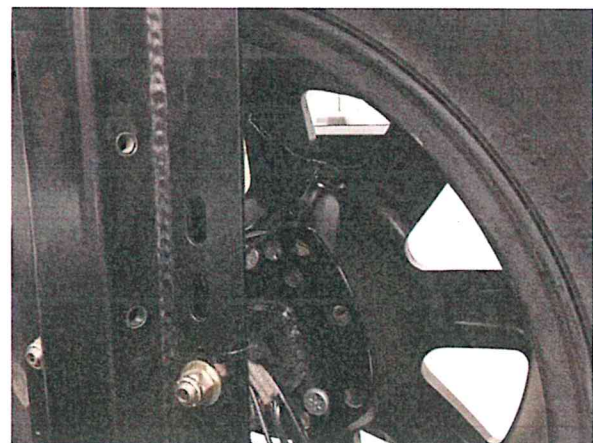


IMAGE -17

8. Put on your license plate using (4) 10-24 X 0.625 SS
BUTTON HEAD HEX DRIVE SCREW provided
(IMAGE -18).

**IMAGE -18**

9. After installation, test your OE electrical components and the TG EXTENSION CABLE. Verify that your OE 3rd brake light, OE reverse camera, and new LED license plate light are working properly.