

Safety Recall

Code: 69P2



Subject	Autoliv Igniters
Release Date	April 21, 2017
Affected Vehicles	U.S.A. & Canada: Certain 2017-2018 MY Audi Vehicles <i>Check Campaigns/Actions screen in Elsa on the day of repair to verify that a VIN qualifies for repair under this action. Elsa is the <u>only</u> valid campaign inquiry & verification source.</i> <ul style="list-style-type: none">✓ Campaign status must show "open."✓ If Elsa shows other open action(s), inform your customer so that the work can also be completed at the same time the vehicle is in the workshop for this campaign.
Problem Description	Affected vehicles have airbag and/or pretensioner igniter(s) manufactured by Autoliv. The affected igniter(s) may not meet manufacturing specifications. In a crash where airbag and/or pretensioner deployment is needed, an igniter may not deploy, increasing the risk of injury.
Corrective Action	Replace the airbags and/or pretensioners in the vehicles that have affected igniters.
Parts Information	Due to the VIN-specific nature of the parts needed to complete this recall, parts allocation will be limited to vehicles currently in dealer inventory. Dealers scheduling customer vehicle repairs must place their parts order by VIN and ensure that parts are on-hand when the vehicle arrives at the dealership for the scheduled repair appointment. Please contact the Parts Specialists at 1-800-767-6552, option 2 with a VIN to order.
Code Visibility	On or about April 21, 2017, affected vehicles will be listed on the Inventory Vehicle Open Campaign Action report under My Dealership Reports (found on www.accessaudi.com & OMD Web). A list will not be posted for dealers who do not have any affected vehicles. On or about April 21, 2017, this campaign code will show open on affected vehicles in Elsa. On or about April 21, 2017, affected vehicles will be identified with this campaign code in the VIN Lookup tool at www.audiusa.com and on the NHTSA VIN lookup tool at www.safercar.gov .
Owner Notification	Owner notification will take place in May 2017. Owner letter examples are included in this bulletin for your reference.
Additional Information	Please alert everyone in your dealership about this action, including Sales, Service, Parts and Accounting personnel. Contact Warranty if you have any questions. IMPORTANT REMINDER ON VEHICLES AFFECTED BY SAFETY & COMPLIANCE RECALLS <u>New Vehicles in Dealer Inventory:</u> It is a violation of Federal law for a dealer to deliver a new motor vehicle or any new or used item of motor vehicle equipment (including a tire) covered by this notification under a sale or lease until the defect or noncompliance is remedied. By law, dealers must correct, prior to delivery for sale or lease, any vehicle that fails to comply with an applicable Federal Motor Vehicle Safety Standard or that contains a defect relating to motor vehicle safety. <u>Pre-Owned Vehicles in Dealer Inventory:</u> Dealers should not deliver any pre-owned vehicles in their inventory which are involved in a safety or compliance recall until the defect has been remedied. Dealers must ensure that every affected inventory vehicle has this campaign completed <u>before delivery to consumers.</u>

Criteria I.D.	02 (Claim all criteria visible in Elsa)																																													
	<p>Replace Right Seat Belt (Audi Q7) Labor operation: 6911 19 99 120 T.U.</p> <table border="1"> <thead> <tr> <th>Quantity</th> <th>Part Number</th> <th>Description</th> </tr> </thead> <tbody> <tr> <td>1.00</td> <td>4M0857706K GLE</td> <td>Seat Belt, front right – grey/black</td> </tr> <tr> <td></td> <td></td> <td>-OR-</td> </tr> <tr> <td>1.00</td> <td>4M0857706K GWQ</td> <td>Seat Belt, front right – beige/black</td> </tr> <tr> <td></td> <td></td> <td>-OR-</td> </tr> <tr> <td>1.00</td> <td>4M0857706K V04</td> <td>Seat Belt, front right – black/black</td> </tr> </tbody> </table> <p>-OR-</p> <p>Replace Right Seat Belt (Audi A4/Allroad) Labor operation: 6911 20 99 90 T.U.</p> <table border="1"> <thead> <tr> <th>Quantity</th> <th>Part Number</th> <th>Description</th> </tr> </thead> <tbody> <tr> <td>1.00</td> <td>8W0857706D V04</td> <td>Seat Belt, front right – black/black</td> </tr> <tr> <td></td> <td></td> <td>-OR-</td> </tr> <tr> <td>1.00</td> <td>8W0857706D JXE</td> <td>Seat Belt, front right – beige/black</td> </tr> <tr> <td></td> <td></td> <td>-OR-</td> </tr> <tr> <td>1.00</td> <td>8W0857706D GLE</td> <td>Seat Belt, front right – grey/black</td> </tr> </tbody> </table> <p>-OR-</p> <p>Replace Left Seat Belt (Q5) Labor operation: 6911 20 99 90 T.U.</p> <table border="1"> <thead> <tr> <th>Quantity</th> <th>Part Number</th> <th>Description</th> </tr> </thead> <tbody> <tr> <td>1.00</td> <td>80A857706F V04</td> <td>Seat Belt, front right – black/black</td> </tr> </tbody> </table>	Quantity	Part Number	Description	1.00	4M0857706K GLE	Seat Belt, front right – grey/black			-OR-	1.00	4M0857706K GWQ	Seat Belt, front right – beige/black			-OR-	1.00	4M0857706K V04	Seat Belt, front right – black/black	Quantity	Part Number	Description	1.00	8W0857706D V04	Seat Belt, front right – black/black			-OR-	1.00	8W0857706D JXE	Seat Belt, front right – beige/black			-OR-	1.00	8W0857706D GLE	Seat Belt, front right – grey/black	Quantity	Part Number	Description	1.00	80A857706F V04	Seat Belt, front right – black/black			
Quantity	Part Number	Description																																												
1.00	4M0857706K GLE	Seat Belt, front right – grey/black																																												
		-OR-																																												
1.00	4M0857706K GWQ	Seat Belt, front right – beige/black																																												
		-OR-																																												
1.00	4M0857706K V04	Seat Belt, front right – black/black																																												
Quantity	Part Number	Description																																												
1.00	8W0857706D V04	Seat Belt, front right – black/black																																												
		-OR-																																												
1.00	8W0857706D JXE	Seat Belt, front right – beige/black																																												
		-OR-																																												
1.00	8W0857706D GLE	Seat Belt, front right – grey/black																																												
Quantity	Part Number	Description																																												
1.00	80A857706F V04	Seat Belt, front right – black/black																																												
Criteria I.D.	01 and 02 (Claim all criteria visible in Elsa)																																													
	<p>Replace both Seat Belts (Audi Q7) Labor operation: 6911 21 99 180 T.U.</p> <table border="1"> <thead> <tr> <th>Quantity</th> <th>Part Number</th> <th>Description</th> </tr> </thead> <tbody> <tr> <td>1.00</td> <td>4M0857705K GLE</td> <td>Seat Belt, front left – grey/black</td> </tr> <tr> <td>1.00</td> <td>4M0857706K GLE</td> <td>Seat Belt, front right – grey/black</td> </tr> <tr> <td></td> <td></td> <td>-OR-</td> </tr> <tr> <td>1.00</td> <td>4M0857705K GWQ</td> <td>Seat Belt, front left – beige/black</td> </tr> <tr> <td>1.00</td> <td>4M0857706K GWQ</td> <td>Seat Belt, front right – beige/black</td> </tr> <tr> <td></td> <td></td> <td>-OR-</td> </tr> <tr> <td>1.00</td> <td>4M0857705K V04</td> <td>Seat Belt, front left – black/black</td> </tr> <tr> <td>1.00</td> <td>4M0857706K V04</td> <td>Seat Belt, front right – black/black</td> </tr> </tbody> </table> <p>-OR-</p> <p>Replace both Seat Belts (Audi A4/Allroad) Labor operation: 6911 22 99 130 T.U.</p> <table border="1"> <thead> <tr> <th>Quantity</th> <th>Part Number</th> <th>Description</th> </tr> </thead> <tbody> <tr> <td>1.00</td> <td>8W0857705C V04</td> <td>Seat Belt, front left – black/black</td> </tr> <tr> <td>1.00</td> <td>8W0857706D V04</td> <td>Seat Belt, front right – black/black</td> </tr> <tr> <td></td> <td></td> <td>-OR-</td> </tr> <tr> <td>1.00</td> <td>8W0857705C JXE</td> <td>Seat Belt, front left – beige/black</td> </tr> <tr> <td>1.00</td> <td>8W0857706D JXE</td> <td>Seat Belt, front right – beige/black</td> </tr> </tbody> </table>	Quantity	Part Number	Description	1.00	4M0857705K GLE	Seat Belt, front left – grey/black	1.00	4M0857706K GLE	Seat Belt, front right – grey/black			-OR-	1.00	4M0857705K GWQ	Seat Belt, front left – beige/black	1.00	4M0857706K GWQ	Seat Belt, front right – beige/black			-OR-	1.00	4M0857705K V04	Seat Belt, front left – black/black	1.00	4M0857706K V04	Seat Belt, front right – black/black	Quantity	Part Number	Description	1.00	8W0857705C V04	Seat Belt, front left – black/black	1.00	8W0857706D V04	Seat Belt, front right – black/black			-OR-	1.00	8W0857705C JXE	Seat Belt, front left – beige/black	1.00	8W0857706D JXE	Seat Belt, front right – beige/black
Quantity	Part Number	Description																																												
1.00	4M0857705K GLE	Seat Belt, front left – grey/black																																												
1.00	4M0857706K GLE	Seat Belt, front right – grey/black																																												
		-OR-																																												
1.00	4M0857705K GWQ	Seat Belt, front left – beige/black																																												
1.00	4M0857706K GWQ	Seat Belt, front right – beige/black																																												
		-OR-																																												
1.00	4M0857705K V04	Seat Belt, front left – black/black																																												
1.00	4M0857706K V04	Seat Belt, front right – black/black																																												
Quantity	Part Number	Description																																												
1.00	8W0857705C V04	Seat Belt, front left – black/black																																												
1.00	8W0857706D V04	Seat Belt, front right – black/black																																												
		-OR-																																												
1.00	8W0857705C JXE	Seat Belt, front left – beige/black																																												
1.00	8W0857706D JXE	Seat Belt, front right – beige/black																																												

Continue to next page

Criteria I.D.	03 (Claim all criteria visible in Elsa)												
	<p>Replace Left Head Curtain Airbag (A4) Labor operation: 6966 19 99 350 T.U.</p> <table border="1"> <thead> <tr> <th>Quantity</th> <th>Part Number</th> <th>Description</th> </tr> </thead> <tbody> <tr> <td>1.00</td> <td>8W5880741E</td> <td>Head curtain airbag left</td> </tr> <tr> <td>2.00</td> <td>N 91225901</td> <td>Bolt</td> </tr> </tbody> </table>	Quantity	Part Number	Description	1.00	8W5880741E	Head curtain airbag left	2.00	N 91225901	Bolt			
Quantity	Part Number	Description											
1.00	8W5880741E	Head curtain airbag left											
2.00	N 91225901	Bolt											
Criteria I.D.	04 (Claim all criteria visible in Elsa)												
	<p>Replace Right Head Curtain Airbag (A4) Labor operation: 6966 19 99 350 T.U.</p> <table border="1"> <thead> <tr> <th>Quantity</th> <th>Part Number</th> <th>Description</th> </tr> </thead> <tbody> <tr> <td>1.00</td> <td>8W5880742E</td> <td>Head curtain airbag right</td> </tr> <tr> <td>2.00</td> <td>N 91225901</td> <td>Bolt</td> </tr> </tbody> </table>	Quantity	Part Number	Description	1.00	8W5880742E	Head curtain airbag right	2.00	N 91225901	Bolt			
Quantity	Part Number	Description											
1.00	8W5880742E	Head curtain airbag right											
2.00	N 91225901	Bolt											
Criteria I.D.	03 and 04 (Claim all criteria visible in Elsa)												
	<p>Replace Both Head Curtain Airbags (A4) Labor operation: 6966 20 99 370 T.U.</p> <table border="1"> <thead> <tr> <th>Quantity</th> <th>Part Number</th> <th>Description</th> </tr> </thead> <tbody> <tr> <td>1.00</td> <td>8W5880741E</td> <td>Head curtain airbag left</td> </tr> <tr> <td>1.00</td> <td>8W5880742E</td> <td>Head curtain airbag right</td> </tr> <tr> <td>4.00</td> <td>N 91225901</td> <td>Bolt</td> </tr> </tbody> </table>	Quantity	Part Number	Description	1.00	8W5880741E	Head curtain airbag left	1.00	8W5880742E	Head curtain airbag right	4.00	N 91225901	Bolt
Quantity	Part Number	Description											
1.00	8W5880741E	Head curtain airbag left											
1.00	8W5880742E	Head curtain airbag right											
4.00	N 91225901	Bolt											
Criteria I.D.	05 (Claim all criteria visible in Elsa)												
	<p>Replace Passenger Front Airbag (A6/A7) Labor operation: 6959 19 99 90 T.U.</p> <table border="1"> <thead> <tr> <th>Quantity</th> <th>Part Number</th> <th>Description</th> </tr> </thead> <tbody> <tr> <td>1.00</td> <td>4G8880204D</td> <td>Passenger front airbag</td> </tr> <tr> <td>4.00</td> <td>N 91205301</td> <td>Bolt</td> </tr> </tbody> </table>	Quantity	Part Number	Description	1.00	4G8880204D	Passenger front airbag	4.00	N 91205301	Bolt			
Quantity	Part Number	Description											
1.00	4G8880204D	Passenger front airbag											
4.00	N 91205301	Bolt											

Customer Letter Example (USA)

<MONTH YEAR>

<CUSTOMER NAME>

<CUSTOMER ADDRESS>

<CUSTOMER CITY STATE ZIPCODE>

This notice applies to your vehicle: <VIN>

NHTSA: 16V955

**Subject: Safety Recall 69P2 – Autoliv Igniters
Certain 2017-2018 Model Year Audi Vehicles**

Dear Audi Owner,

This notice is sent to you in accordance with the National Traffic and Motor Vehicle Safety Act. Audi has decided that a defect, which relates to motor vehicle safety, exists in certain 2017-2018 model year Audi vehicles. Our records show that you are the owner of a vehicle affected by this action.

- What is the issue?** Affected vehicles have airbag and/or pretensioner igniter(s) manufactured by Autoliv. The affected igniter(s) may not meet manufacturing specifications. In a crash where airbag and/or pretensioner deployment is needed, an igniter may not deploy, increasing the risk of injury.
- What will we do?** To help correct this defect, your authorized Audi dealer will replace the airbags and/or pretensioners in the vehicle that have affected igniters. This work will take up to one day to complete and will be performed for you free of charge.
- What should you do?** Because your dealer must special order the parts needed to complete this recall repair on your vehicle, please call your authorized Audi dealer without delay to schedule this recall repair. Your dealer will ensure that the correct parts are available at the dealership when you arrive for your scheduled appointment.
- Lease vehicles and address changes** If you are the lessor and registered owner of the vehicle identified in this action, the law requires you to forward this letter immediately via first-class mail to the lessee within ten (10) days of receipt. If you have changed your address or sold the vehicle, please fill out the enclosed prepaid Owner Reply card and mail it to us so we can update our records.
- Reimbursement of Expenses** If you have previously paid for repairs relating to the condition described in this letter, the enclosed form explains how to request reimbursement. We would be pleased to review your reimbursement request.
- Can we assist you further?** If your authorized Audi dealer fails or is unable to complete this work free of charge within a reasonable time, please contact Audi Customer Experience at 1-800-253-2834 or via our "Contact Us" page at www.audiusa.com.
- Checking your vehicle for open Recalls and Service Campaigns** To check your vehicle's eligibility for repair under this or any other recall/service campaign, please visit the **Recall/Service Campaign Lookup** tool at www.audiusa.com and enter your Vehicle Identification Number (VIN).

If you still cannot obtain satisfaction, you may file a complaint with: The Administrator, National Highway Traffic Safety Administration, 1200 New Jersey Avenue, SE., Washington, DC 20590; or call the toll-free Vehicle Safety Hotline at 1-888-327-4236 (TTY: 1-800-424-9153); or go to <http://www.safercar.gov>.

We apologize for any inconvenience this matter may cause; however we are taking this action to help ensure your safety and continued satisfaction with your vehicle.

Sincerely,

Audi Customer Protection

Customer Letter Example (CANADA)

<MONTH YEAR>

<CUSTOMER NAME>

<CUSTOMER ADDRESS>

<CUSTOMER CITY STATE ZIPCODE>

This notice applies to your vehicle: <VIN>

**Subject: Safety Recall 69P2 – Autoliv Igniters
Certain 2017 Model Year Audi Vehicles**

Dear Audi Owner,

This notice is sent to you in accordance with the requirements of the Motor Vehicle Safety Act. Audi has decided that a defect, which relates to motor vehicle safety, exists in certain 2017 model year Audi vehicles. Our records show that you are the owner of a vehicle affected by this action.

What is the issue? Affected vehicles have airbag and/or pretensioner igniter(s) manufactured by Autoliv. The affected igniter(s) may not meet manufacturing specifications. In a crash where airbag and/or pretensioner deployment is needed, an igniter may not deploy, increasing the risk of injury.

What will we do? To help correct this defect, your authorized Audi dealer will replace the airbags and/or pretensioners in the vehicle that have affected igniters. This work will take up to one day to complete and will be performed for you free of charge.

What should you do? Because your dealer must special order the parts needed to complete this recall repair on your vehicle, please call your authorized Audi dealer without delay to schedule this recall repair. Your dealer will ensure that the correct parts are available at the dealership when you arrive for your scheduled appointment.

Lease vehicles and address changes If you are the lessor and registered owner of the vehicle identified in this action, the law requires you to forward this letter immediately via first-class mail to the lessee within ten (10) days of receipt. If you have changed your address or sold the vehicle, please fill out the enclosed prepaid Owner Reply card and mail it to us so we can update our records.

Reimbursement of Expenses If you have previously paid for repairs relating to the condition described in this letter, the enclosed form explains how to request reimbursement. We would be pleased to review your reimbursement request.

Can we assist you further? If your authorized Audi dealer fails or is unable to complete this work free of charge within a reasonable time, please contact Audi Customer Relations Monday through Friday from 8AM to 8PM EST at 1-800-822-2834 or via our "Contact Audi Canada" page at www.audi.ca.

We apologize for any inconvenience this matter may cause; however we are taking this action to help ensure your safety and continued satisfaction with your vehicle.

Sincerely,

Audi Customer Protection

WARNING

Risk of injury. Refer to "Warning and Safety Precautions", found in **Appendix A** at the end of this document.

NOTE

- Damages resulting from improper repair or failure to follow these work instructions are the dealer's responsibility and are not eligible for reimbursement under this action.
- This procedure must be read in its entirety prior to performing the repair.
- Due to variations in vehicle equipment and options, the steps/illustrations in this work procedure may not identically match all affected vehicles.
- Diagnosis and repair of pre-existing conditions in the vehicle are not covered under this action.









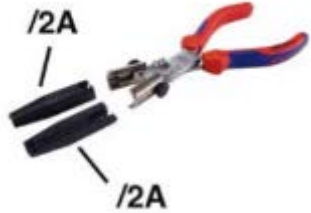

Required Parts

Seat belt replacement (criteria 01 and/or 02):				
Criteria	Model	Quantity	Part Number	Part Description
FI 01 21	Q7	1	4M0857705K GLE	Seat Belt, front left – grey/black
FI 02 24		1	4M0857706K GLE	Seat Belt, front right – grey/black
FI 01 22		1	4M0857705K GWQ	Seat Belt, front left – beige/black
FI 02 25		1	4M0857706K GWQ	Seat Belt, front right – beige/black
FI 01 23		1	4M0857705K V04	Seat Belt, front left – black/black
FI 02 26		1	4M0857706K V04	Seat Belt, front right – black/black
FA or FC, 01 33	A4/Allroad	1	8W0857705C V04	Seat Belt, front left – black/black
FA or FC, 02 39		1	8W0857706D V04	Seat Belt, front right – black/black
FA or FC, 01 34		1	8W0857705C JXE	Seat Belt, front left – beige/black
FA or FC, 02 40		1	8W0857706D JXE	Seat Belt, front right – beige/black
FA or FC, 02 38		1	8W0857706D GLE	Seat Belt, front right – grey/black
FF 01 27	Q5	1	80A857705F JXE	Seat Belt, front left – beige/black
FF 02 28		1	80A857706F V04	Seat Belt, front right – black/black

Head Curtain Airbag (criteria 03 and/or 04):				
Criteria	Model	Quantity	Part Number	Part Description
FA 03	A4	1	8W5880741E	Head curtain airbag left
		2	N 91225901	Bolt
FA 04	A4	1	8W5880742E	Head curtain airbag right
		2	N 91225901	Bolt
FA 03 and 04	A4	1	8W5880741E	Head curtain airbag left
		1	8W5880742E	Head curtain airbag right
		4	N 91225901	Bolt

Passenger Airbag (criteria 05):				
Criteria	Model	Quantity	Part Number	Part Description
FG 05	A6/A7	1	4G8880204D	Passenger front airbag
		4	N 91205301	Bolt

Required Tools

	<p>Clip pliers -VAS211001- (or equivalent)</p>		<p>Pry lever -80-200- (or equivalent)</p>
	<p>Removal Wedge -T40233- (or equivalent)</p>		<p>Omega Clip Tool -T40280- (or equivalent)</p>
	<p>Scraper Set -VAS6845- (or equivalent)</p>		<p>Fiber-Optic Repair Set - Connector Protective Caps -VAS6223/9-</p>
	<p>Trim Removal Wedge -3409- (or equivalent)</p>		<p>Wedge Set -T10383- (or equivalent)</p>
	<p>Pliers -T40172C- (or equivalent)</p>		<p>Angled Screwdriver -VAS6416- (or equivalent)</p>

Repair Instruction

Section A - Check for Previous Repair

Applicable criteria ID(s)	Campaign/Action Status
01 ← 2	Open ← 1
EXAMPLE	

- Enter the VIN in Elsa and proceed to the “Campaign/Action” screen.

i TIP

On the date of repair, print this screen and keep a copy with the repair order.

- Confirm the Campaign/Action is open <arrow 1>. If the status is closed, no further work is required.
- Note the Applicable Criteria ID <arrow 2> for use in determining the correct work to be done and corresponding parts associated.

Proceed to the appropriate section based on the chart below:

There are multiple criteria covering multiple models for this Campaign. Refer to the chart below for the appropriate work instruction.

Description	Model(s)	Work Procedure Location
Seat Belt Replacement (criteria 01 and 02)	A4 and Allroad	Section B
	Q5	
	Q7	
Head Curtain Airbag (criteria 03 and 04)	A4	Section D
Passenger Frontal Airbag (criteria 05)	A6 and A7	Section E

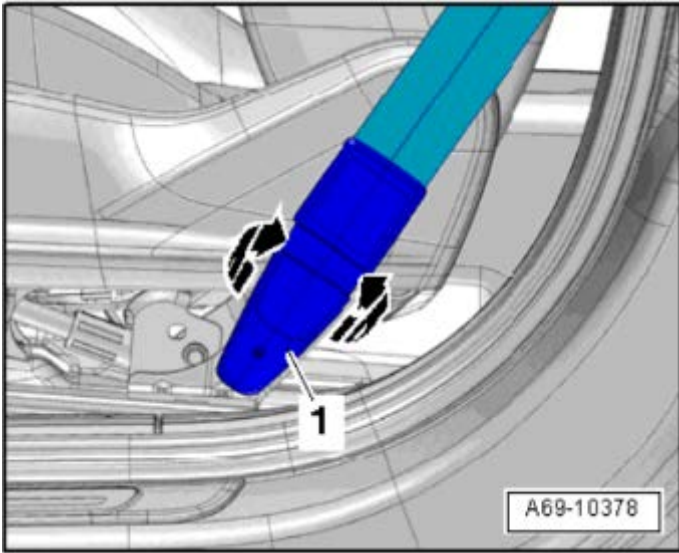
Section B – Seat Belt Replacement (criteria 01 and 02)

NOTE

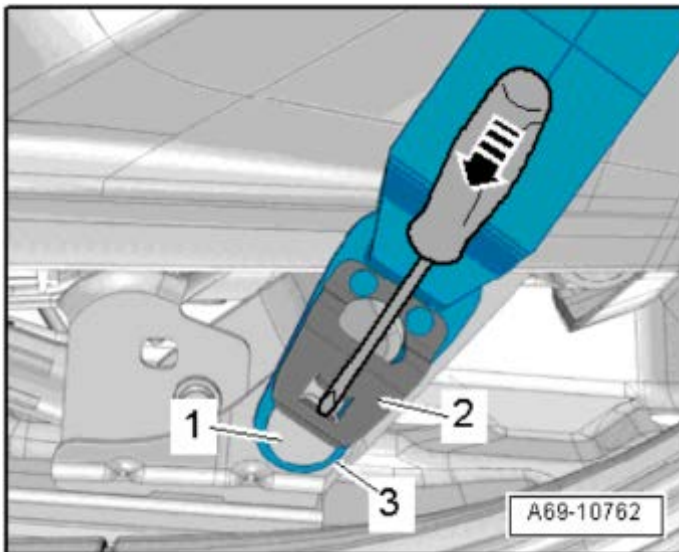
The procedures shown for seat belt replacement illustrate the driver side. If vehicle has criteria open for both sides, repeat the steps for the passenger side.

- Identify the model being worked on and proceed to the proper subsection.
 - A4 and Allroad: **Proceed to Subsection 1**
 - Q5: **Proceed to Subsection 2**
 - Q7: **Proceed to Subsection 3**

Subsection 1 – A4 and A4 allroad Seat Belt Replacement (criteria FA 01, FA 02, FA 01 02, FC 01, FC 02, FC 01 02)

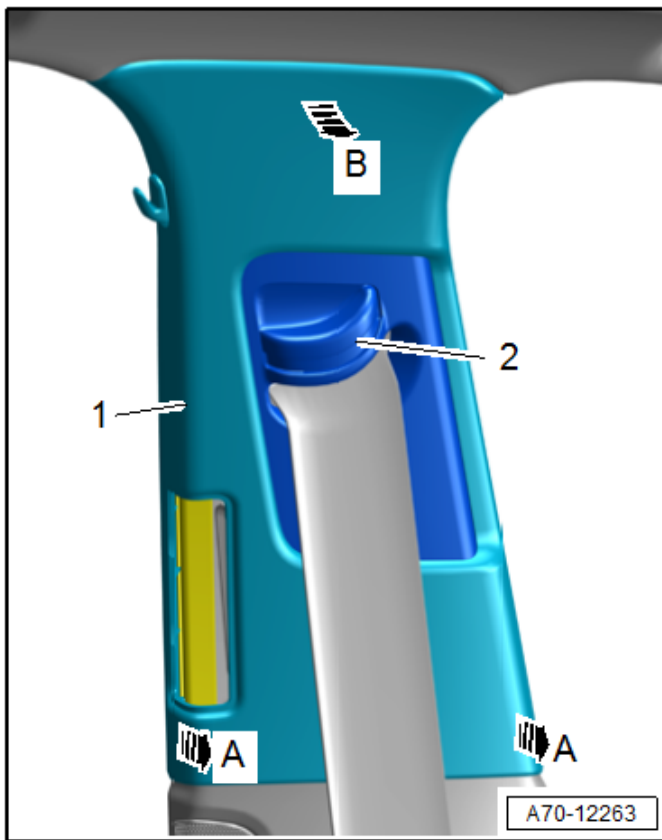


- Adjust the front seat and seatback all the way forward.
- Unclip the cover <1> on the belt relay <arrows> and fold it up.

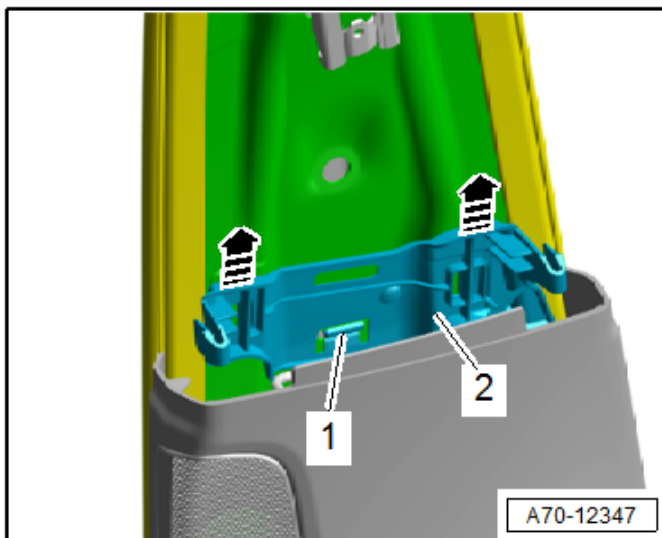


NOTE

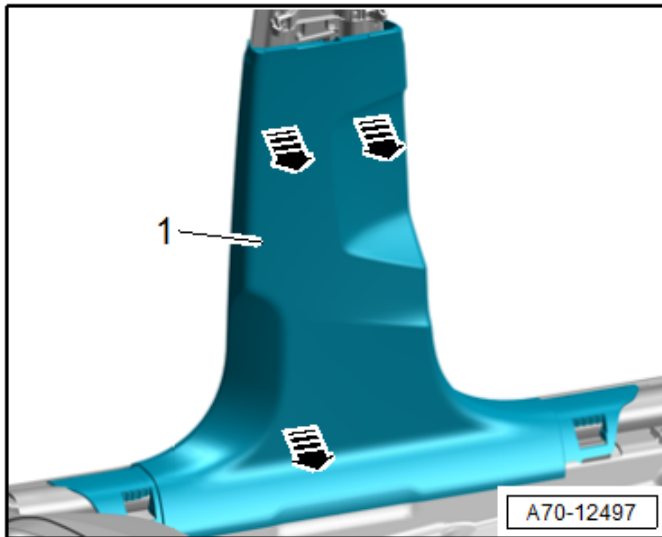
- There is a risk of damaging the spring <2> if it is removed incorrectly.
- Do not to bend the spring, only move it so far until the tab on the spring can be released.
- Release the spring catches <2> by inserting a small screwdriver in the opening in the spring in the direction of <arrow>.
- Slide the belt end fitting <3> downward and disengage at the pin <1>.



- Move seat belt height adjuster <2> to the lowest position.
- Free up the B-pillar trim panel <1> near the door seals, disengage at the B-pillar and unclip from the bracket in the direction of <arrows A>.
- Remove the B-pillar upper trim panel from the mount on the body in the direction of <arrow B> by tilting the trim panel inward and pulling it downward at the same time.
- Remove the B-pillar trim panel with the seat belt still threaded through.



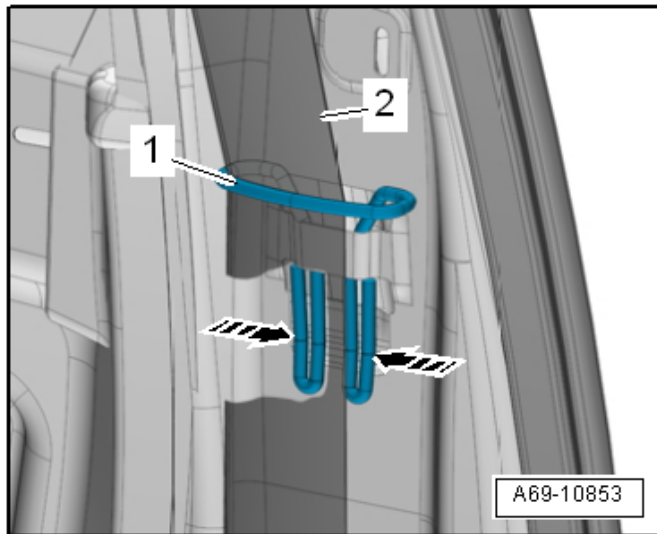
- Release the catch <1> using a screwdriver and pull the bracket <2> for the B-pillar trim panel upward out of the mounts <arrows>.



- Unclip the front and rear sill panels from the B-pillar lower trim panel.
- Free up the B-pillar lower trim panel <1> near the door seals and disengage it sideways from the B-pillar.
- Starting at the top, unclip the B-pillar trim panel from the B-pillar using the -80-200- in the direction of <arrows>.

NOTE

The front and rear sill trim do not have to be completely removed, just unclipped from the lower B-pillar trim.

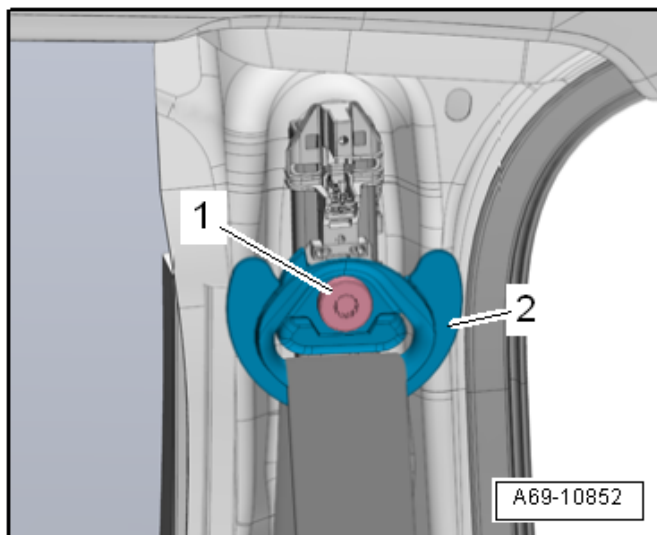


- Push the bracket together <arrows> and remove the belt guide <1> upward.

TIP

Suitable pliers may be required to push the bracket together.

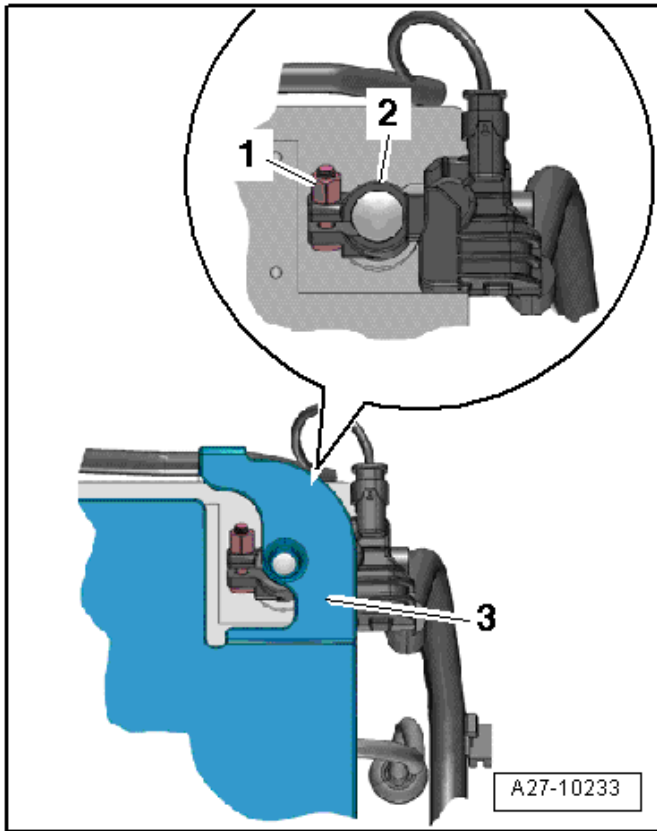
- Guide out the seat belt webbing <2> and remove the seat belt guide.



- Remove the bolt <1>.
- Remove the seat belt relay <2> with the seat belt webbing.

NOTE

If vehicle has criteria open for both sides, repeat the pillar/trim removal steps for the opposite side before disconnecting the battery.



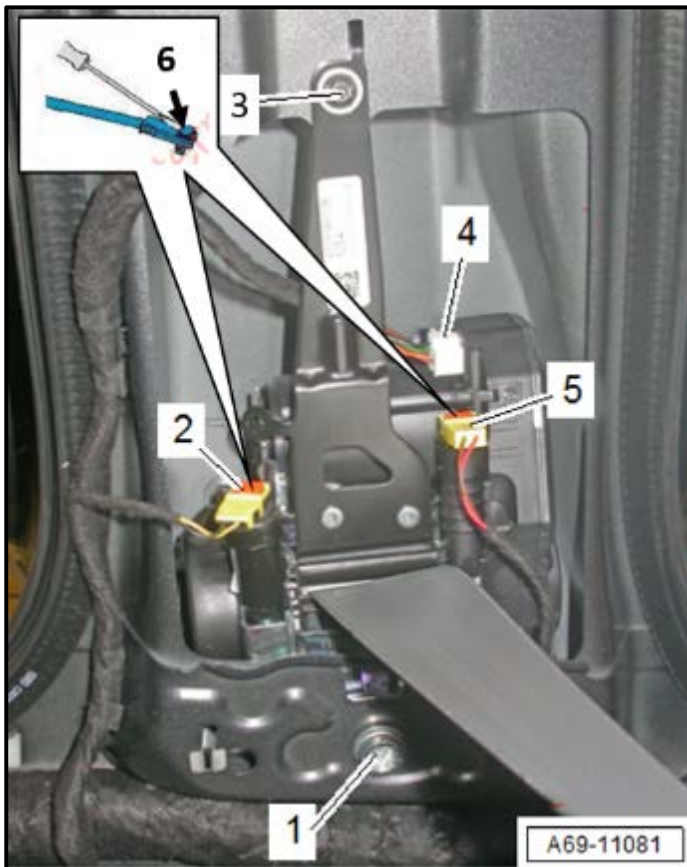
⚠ WARNING

Accident risk. When working on pyrotechnic components (such as airbags and belt tensioners), the battery must be disconnected with the ignition switched **ON**.

- Turn the ignition **ON**.
- Open the trunk/rear lid.
- Lift the luggage compartment floor cover.
- If equipped, remove the spare tire and vehicle tool kit mount.
- Open the cover <3> over the battery negative terminal.
- Loosen the nut <1>.
- Remove and isolate the battery ground cable terminal from the battery pole.

! NOTE

Before disconnecting the battery, it is recommended to record the customer's radio presets so they can be restored before returning vehicle to the customer.



⚠ WARNING

Before handling pyrotechnic components (for example, disconnecting the connector), the person handling it must "discharge static electricity". This can be done by touching the door striker, for example.

- Disconnect connectors <2 and 5> using a small flat bladed screwdriver to disengage connector lock <6>.
- Push the release to disconnect the seat belt tensioner control module connector <4>.

i TIP

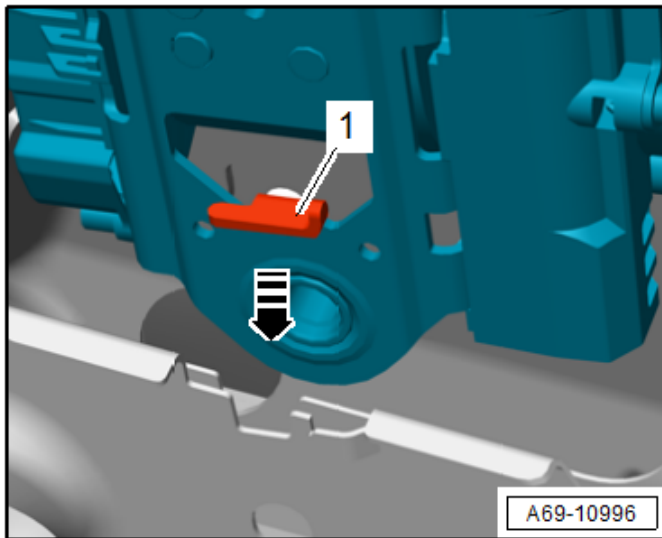
It may be necessary to remove the seat belt to access the connector lock for connector <4>.

- Remove the bolts <1 and 3> and then remove the automatic belt retractor from the mount.
- Install the new seat belt, torque bolt <1> to 45 Nm and torque bolt <3> to 4 Nm.

Criteria	Part Number	Description
FA or FC 01 33	8W0857705C V04	Driver seat belt

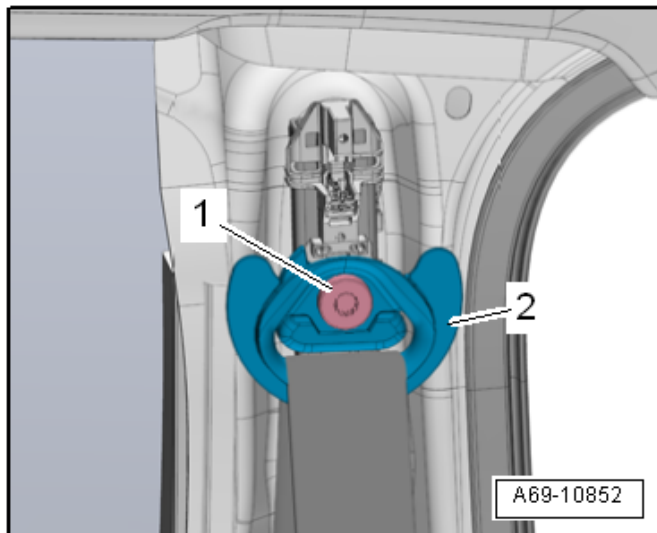
FA or FC 02 39	8W0857706D V04	Passenger seat belt
FA or FC 01 34	8W0857705C JXE	Driver seat belt
FA or FC 02 40	8W0857706D JXE	Passenger seat belt
FA or FC 02 38	8W0857706D GLE	Passenger seat belt

- Connect connectors <2, 4 and 5> and engage the locks <6>.



! NOTE

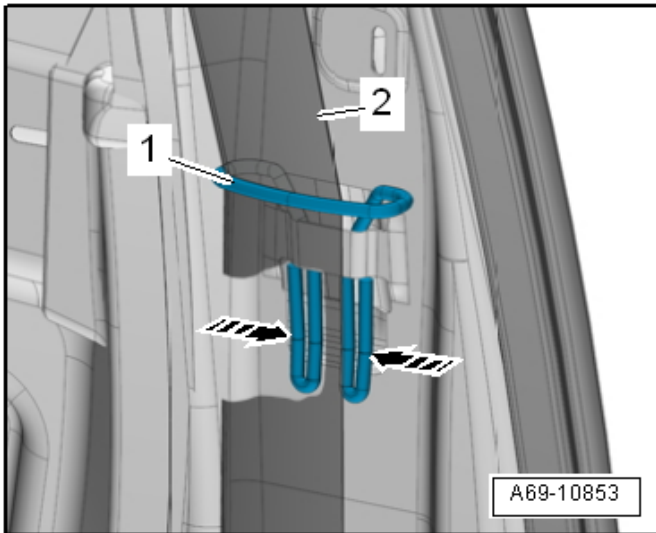
Insert the automatic belt retractor with the anti-twist mechanism <1> in the mount in direction of <arrow> before tightening the bolt.



- Install seat belt relay <2> and torque bolt <1> to 45 Nm.

! NOTE

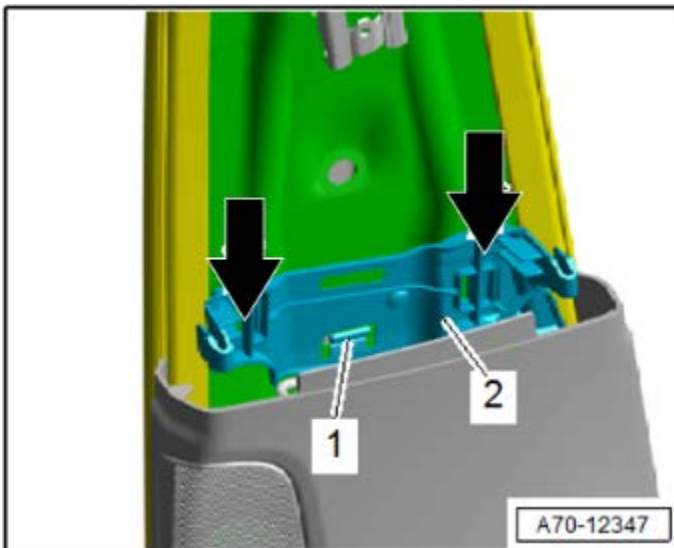
Ensure the seat belt is not twisted between the relay and the retractor.



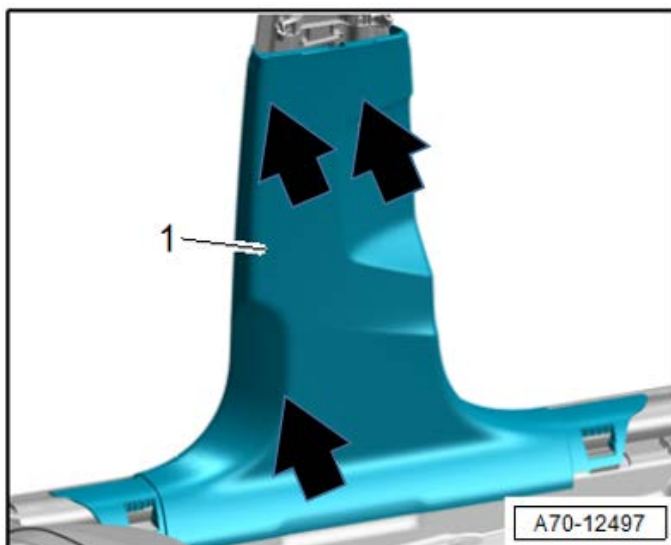
- Guide the seat belt webbing <2> through the belt guide <1>.
- Push the bracket together <arrows> and install the belt guide <1> downward.

TIP

Suitable pliers may be required to push the bracket together.



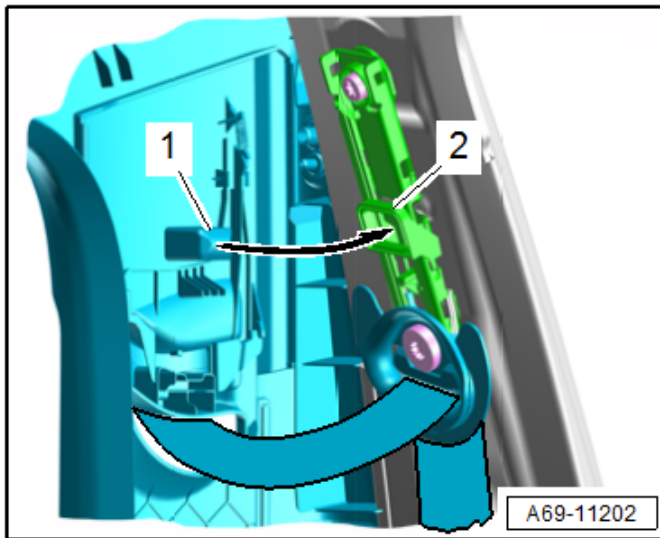
- Slide the bracket <2> into the mounts in the direction of <arrows> until catch <1> audibly locks.



- If needed, remove trim clips from the body using Omega Clip Tool -T40280- (or equivalent) and install into the trim panel.
- Starting at the bottom of the trim panel, install lower B-pillar trim <1> in the direction of <arrows>.
- Install front and rear sill trim into the B-pillar trim.



- Before installing the upper B-pillar trim, ensure the seat belt height adjuster is installed correctly in the guide rails.

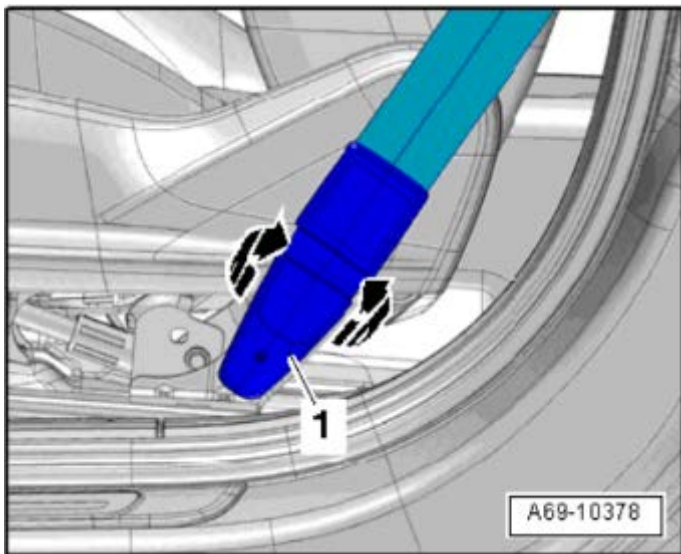


- Guide the belt webbing and seat belt latch in through the slide for the seat belt height adjuster.

NOTE

Ensure the seat belt is not twisted between the relay and the height adjuster.

- Make sure that the belt height adjuster is in the lowest position.
- Insert the B-pillar trim panel upward into the mount on the roof.
- When installing the upper B-pillar trim, the retaining pin <1> for the sliding piece on the B-pillar trim panel must engage in the mount <2> on the seat belt height adjuster <arrow>.

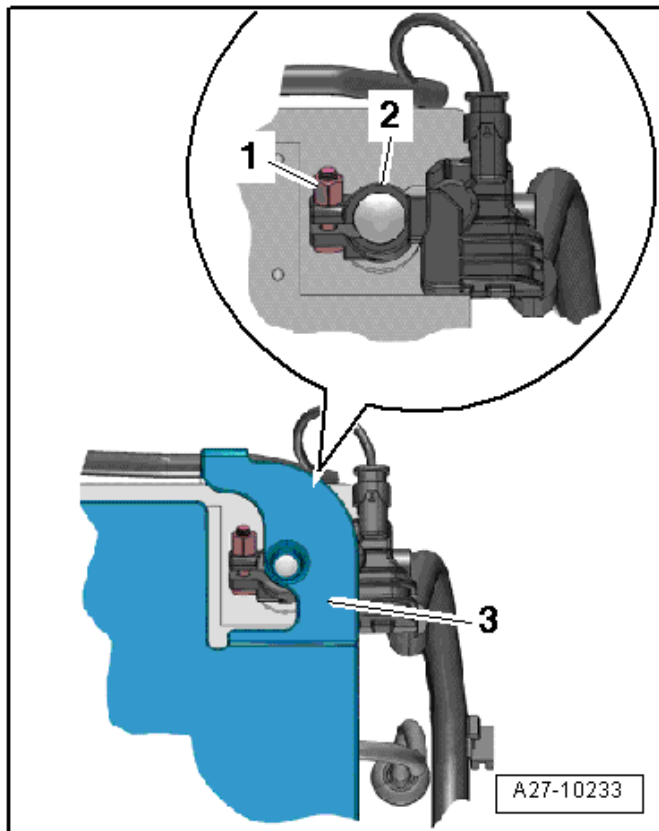


- Install the belt end fitting over the pin on the seat frame and pull up on the belt end fitting until the lock audible engages.

NOTE

Ensure the seat belt is not twisted between the B-pillar and the seat frame.

- Install cover <1> if necessary.



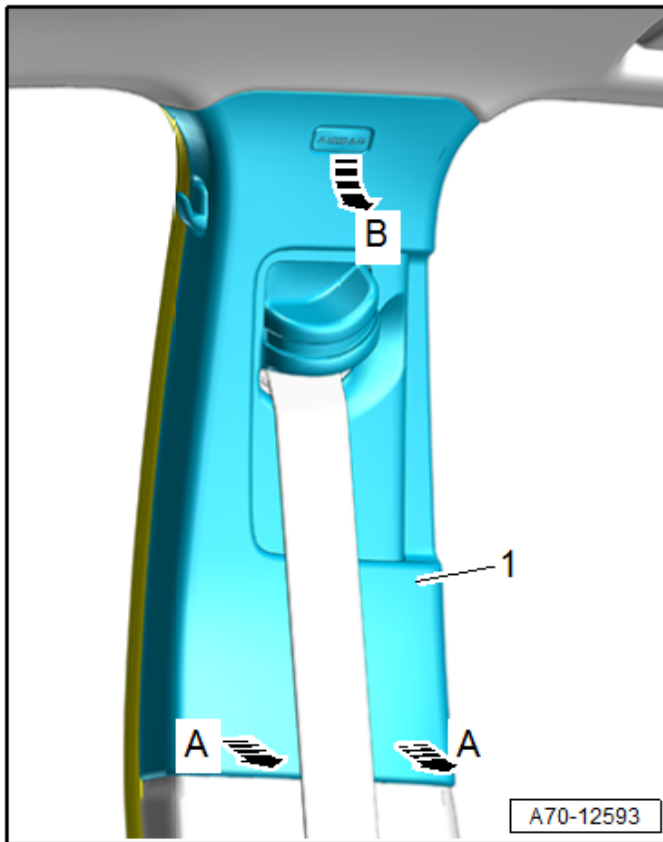
WARNING

Ignition must be ON when connecting battery. If pyrotechnic components (e.g. airbag, belt tensioner) are not repaired correctly, they may deploy unintentionally after connecting battery. There must not be anyone inside the vehicle when connecting the battery.

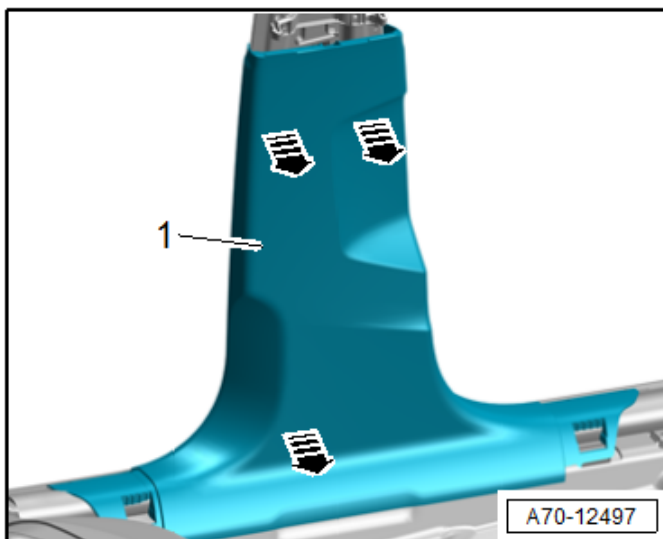
- Disconnect the connector <2> from the Battery Monitoring Control Module -J367- <3>.
- Attach the battery ground cable clamp by hand to the battery negative terminal and torque the nut <1> to 6 Nm.
- Reconnect the connector to the Battery Monitoring Control Module -J367-.
- If equipped, install the vehicle tool kit and spare tire.
- Re-install the luggage compartment floor.
- Cycle the ignition off and back on.
- Set clock to local time.
- Activate the power window regulator one-touch up/down function.
- Check the DTC memories of all the control units and erase under-voltage faults if necessary.

Continue to Section E.

Subsection 2 – Q5 Seat Belt Replacement (criteria FF 01, FF 02, FF 01 02)



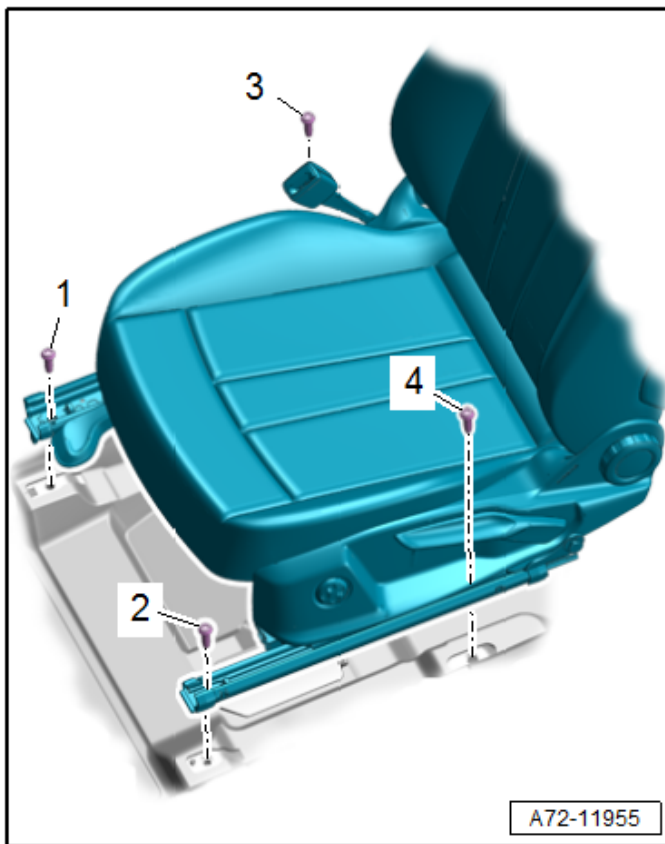
- Adjust the front seat and seatback all the way forward.
- Move seat belt height adjuster to the lowest position.
- Free up the B-pillar trim panel <1> near the inner door seals, disengage and unclip at the side of the B-pillar in direction of <A arrows>.
- Remove the B-pillar upper trim panel from the mount on the body in direction of <arrow B> by tilting the trim panel inward and pulling it downward at the same time.
- Remove the B-pillar trim panel with the seat belt webbing still threaded through.



- Unclip the front and rear sill panels from the B-pillar lower trim panel.
- Free up the B-pillar lower trim panel <1> near the door seals and disengage it sideways from the B-pillar.
- Starting at the top, unclip the B-pillar trim panel from the B-pillar using the -80-200- in the direction of <arrows>.

NOTE

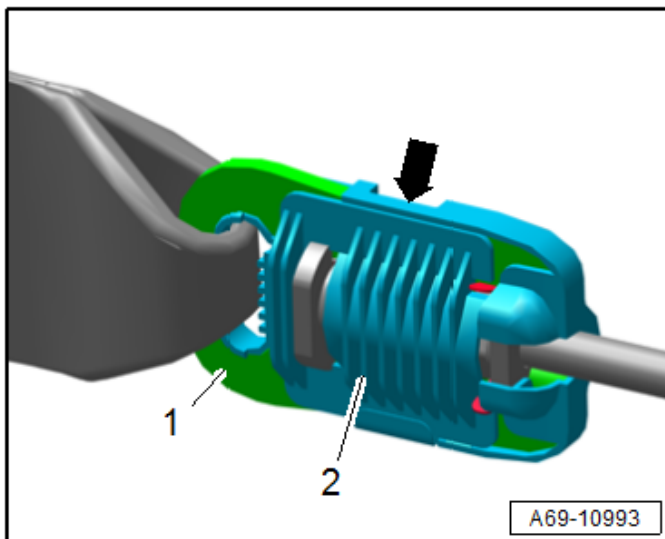
The front and rear sill trim do not have to be completely removed, just unclipped from the lower A-pillar trim.



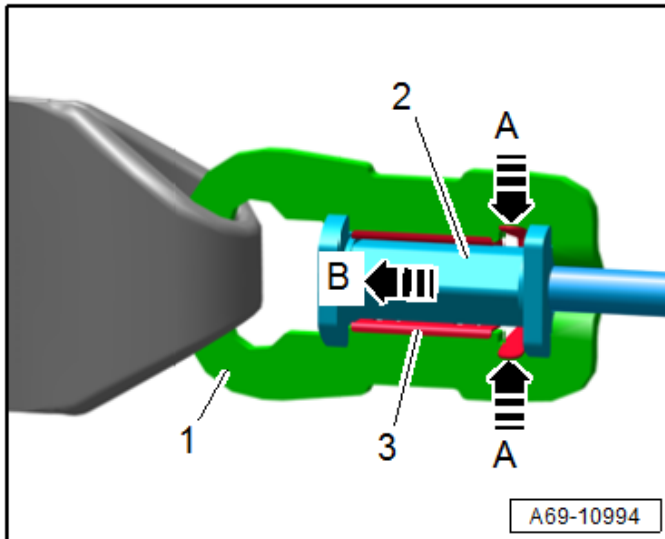
- Push the headrest into the lowest position.
- Move the front seat all the way forward and up.
- Remove rear bolts <3 and 4> from the seat rail.
- Move the front seat all the way to the rear in its highest position.
- Remove the front bolts <1 and 2> from the seat rail.
- Tip the seat forward without disconnecting the seat harness.

NOTE

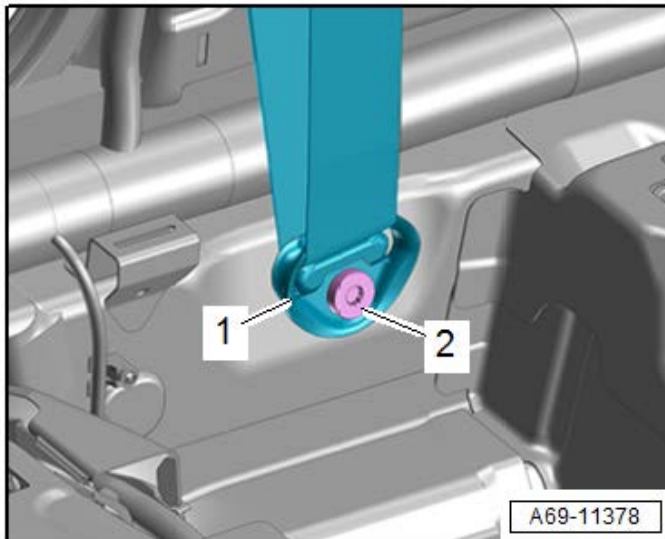
Repositioning the seat allows sufficient room to remove the seat belt anchor.



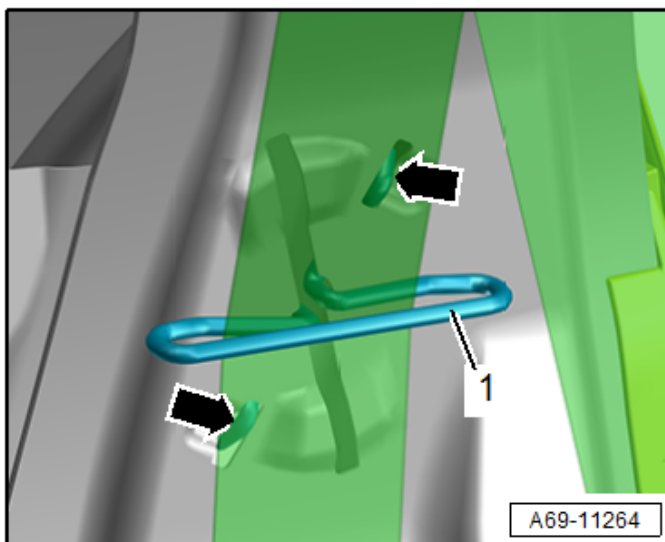
- Open the cover <2> for the belt anchor <1> with a screwdriver on the catches <arrow>, open and push aside.



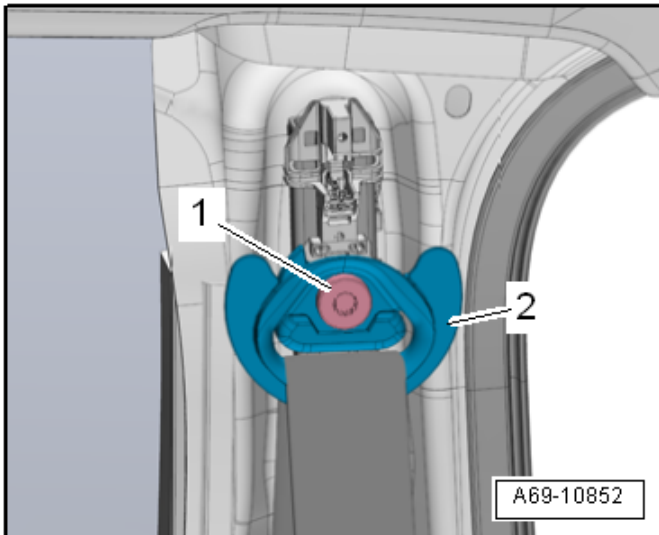
- Push together the catches on the clamp with pliers in direction of <arrows A>.
- At the same time push the anchoring pins <2> together with the clamp <3> to release in the direction of <arrow B>.
- Disengage the anchoring pins from the clamp in the belt anchor <1>.



- Push the carpet in the threaded connection area to the side.
- Remove the bolt <2> and remove the seat belt relay <1>.



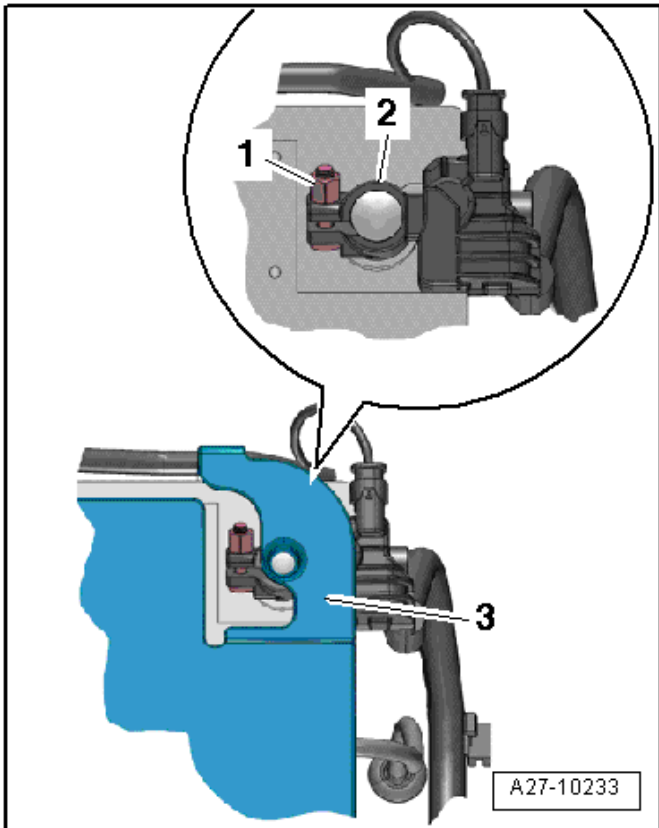
- Release the catches <arrows> using a screwdriver one after the other and at the same time turn the seat belt guide <1> counter-clockwise.
- Remove the seat belt guide and the seat belt webbing.



- Remove the bolt <1>.
- Remove the seat belt relay <2> with the seat belt webbing.

NOTE

If vehicle has criteria open for both sides, repeat the pillar/trim removal steps for the opposite side before disconnecting the battery.



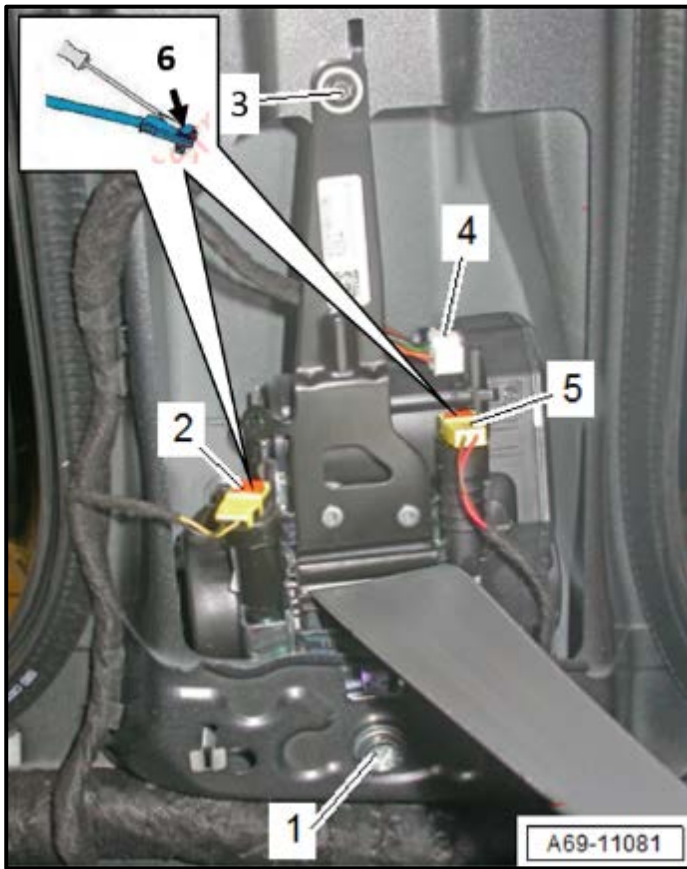
WARNING

Accident risk. When working on pyrotechnic components (such as airbags and belt tensioners), the battery must be disconnected with the ignition switched **ON**.

- Turn the ignition **ON**.
- Open the trunk/rear lid.
- Lift the luggage compartment floor cover.
- If equipped, remove the spare tire and vehicle tool kit mount.
- Open the cover <3> over the battery negative terminal.
- Loosen the nut <1>.
- Remove and isolate the battery ground cable terminal from the battery pole.

NOTE

Before disconnecting the battery, it is recommended to record the customer's radio presets so they can be restored before returning vehicle to the customer.



⚠ WARNING

Before handling pyrotechnic components (for example, disconnecting the connector), the person handling it must “discharge static electricity”. This can be done by touching the door striker, for example.

- Disconnect connectors <2 and 5> using a small flat bladed screwdriver to disengage connector lock <6>.
- Push the release to disconnect the seat belt tensioner control module connector <4>.

📄 TIP

It may be necessary to remove the seat belt to access the connector lock for connector <4>.

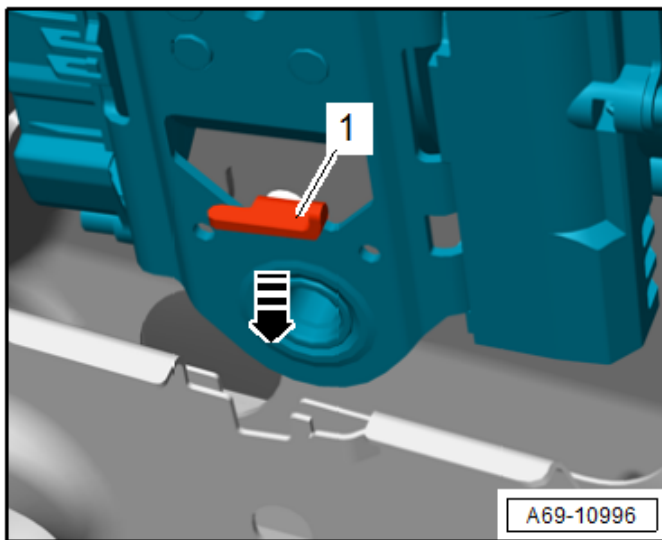
- Remove the bolts <1 and 3> and then remove the automatic belt retractor from the mount.
- Install the new seat belt, torque bolt <1> to 40 Nm and torque bolt <3> to 4 Nm.

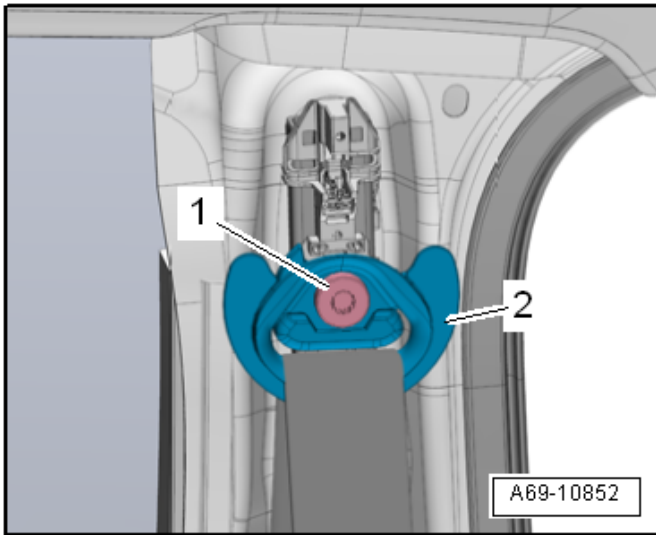
Criteria	Part Number	Description
FF 01 27	80A857705F JXE	Driver seat belt
FF 02 28	80A857706F V04	Passenger seat belt

- Connect connectors <2, 4 and 5> and engage the locks <6>.

ⓘ NOTE

Insert the automatic belt retractor with the anti-twist mechanism <1> in the mount in direction of <arrow> before tightening the bolt.

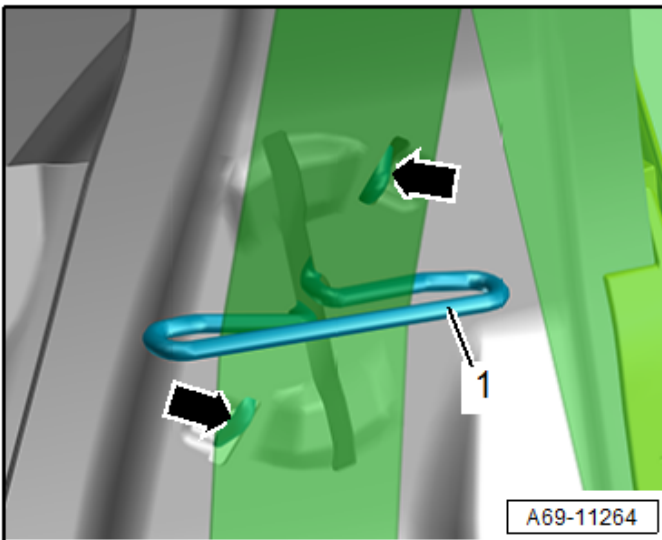




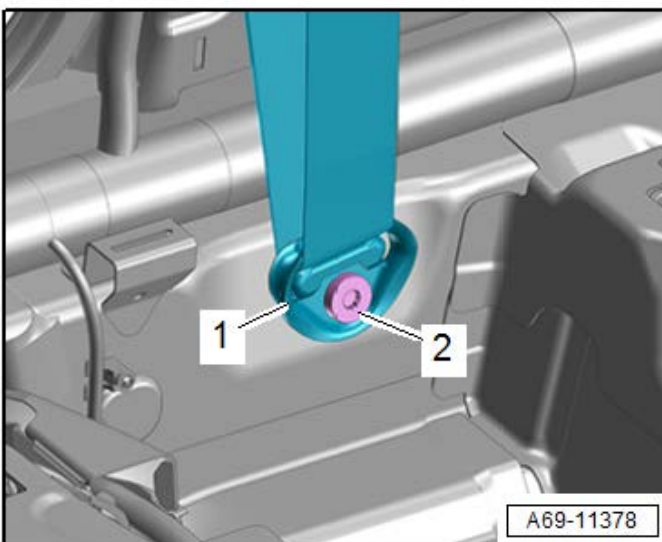
- Install seat belt relay <2> and torque bolt <1> to 40 Nm.

NOTE

Ensure the seat belt is not twisted between the relay and the retractor.



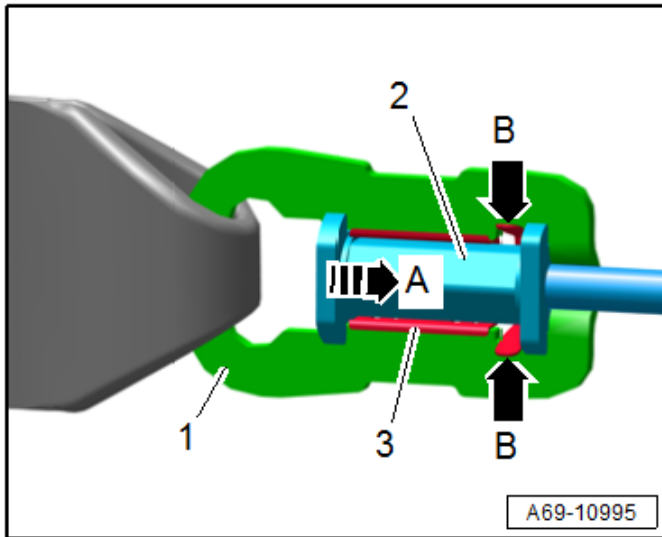
- Install the seat belt guide <1>.



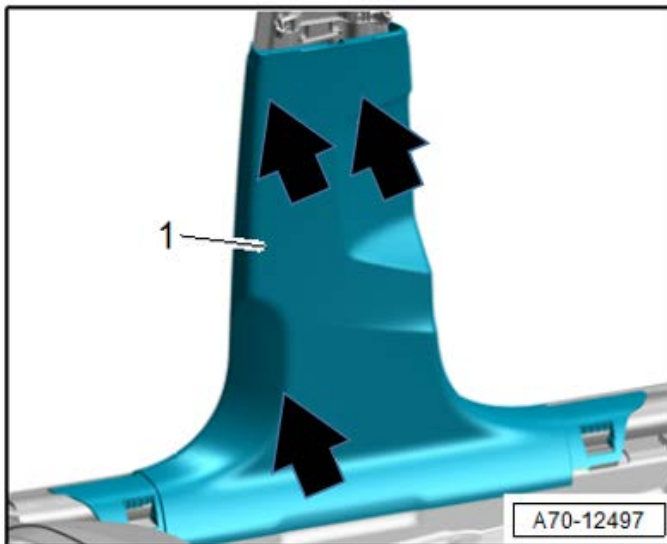
- Install bolt <2> and torque to 40 Nm.

NOTE

Ensure the seat belt is not twisted between the upper and lower relays.



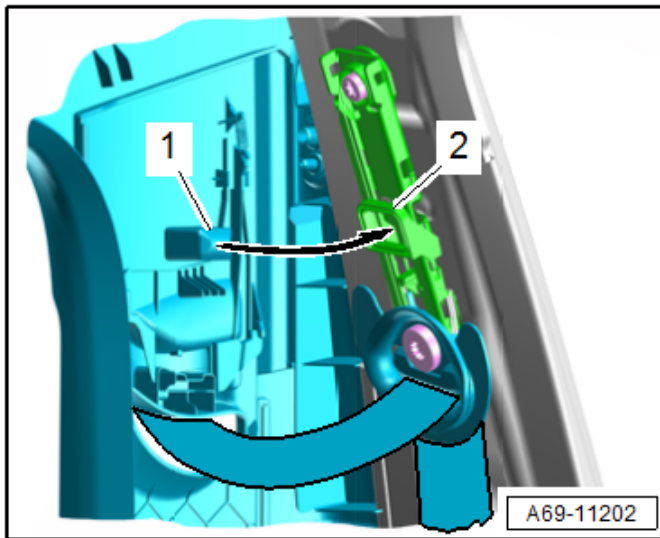
- Install belt end fitting:
 - Engage the anchoring bolts <2> in the clamp <3> and push in the direction of <arrow A>, until the catches <B arrows> engage.



- If needed, remove trim clips from the body using Omega Clip Tool -T40280- (or equivalent) and install into the trim panel.
- Starting at the bottom of the trim panel, install lower B-pillar trim <1> in the direction of <arrows>.
- Install front and rear sill trim into the B-pillar trim.



- Before installing the upper B-pillar trim, ensure the seat belt height adjuster is installed correctly in the guide rails.

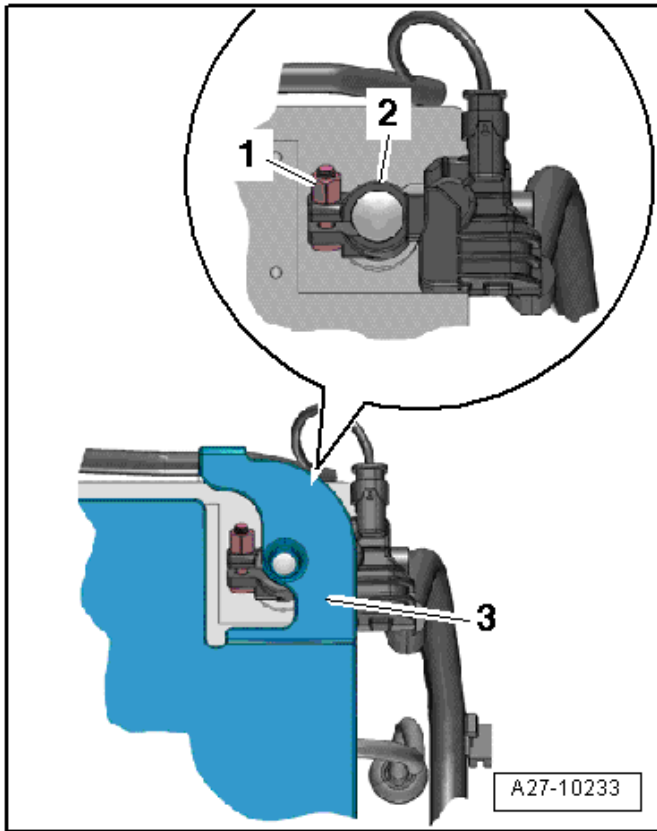


- Guide the belt webbing and seat belt latch in through the slide for the seat belt height adjuster.

NOTE

Ensure the seat belt is not twisted between the relay and the height adjuster.

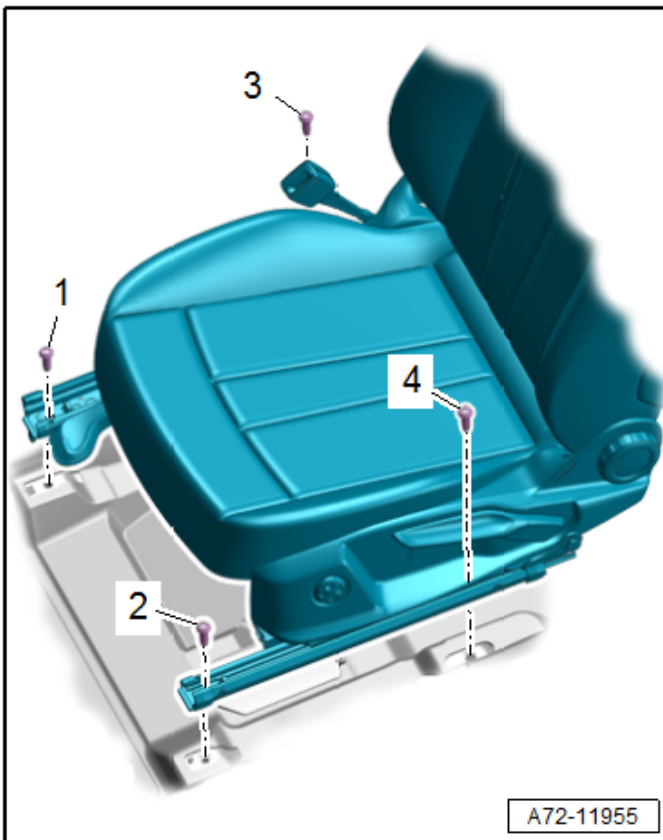
- Make sure that the belt height adjuster is in the lowest position.
- Insert the B-pillar trim panel upward into the mount on the roof.
- When installing the upper B-pillar trim, the retaining pin <1> for the sliding piece on the B-pillar trim panel must engage in the mount <2> on the seat belt height adjuster <arrow>.



⚠ WARNING

Ignition must be ON when connecting battery. If pyrotechnic components (e.g. airbag, belt tensioner) are not repaired correctly, they may deploy unintentionally after connecting the battery. There must not be anyone inside the vehicle when connecting the battery.

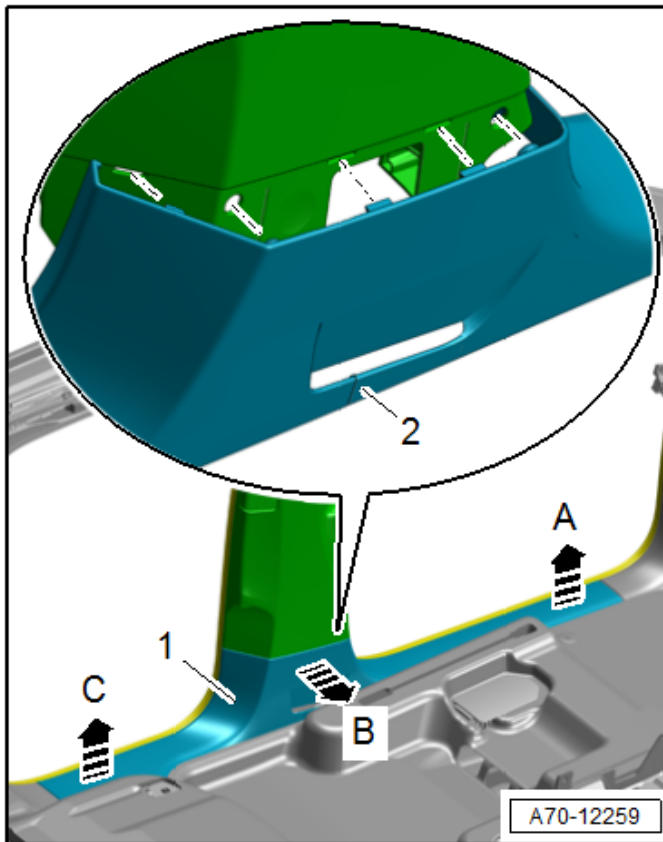
- Disconnect the connector <2> from the Battery Monitoring Control Module -J367- <3>.
- Attach the battery ground cable clamp by hand to the battery negative terminal and torque the nut <1> to 6 Nm.
- Reconnect the connector to the Battery Monitoring Control Module -J367-.
- Install cover <3>.
- If equipped, install the vehicle tool kit and spare tire.
- Re-install the luggage compartment floor.



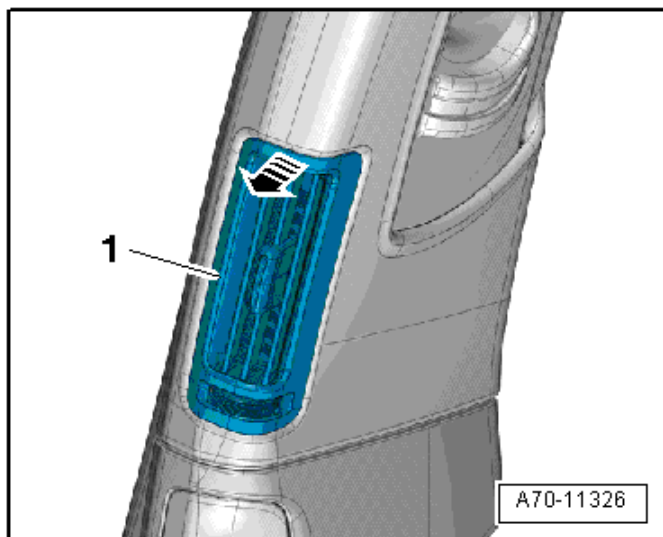
- Reinstall seat and torque bolts <1 through 4> to 40 Nm.
- Cycle the ignition off and back on.
- Set clock to local time.
- Activate the power window regulator one-touch up/down function.
- Check the DTC memories of all the control units and erase under-voltage faults if necessary.

Continue to Section E.

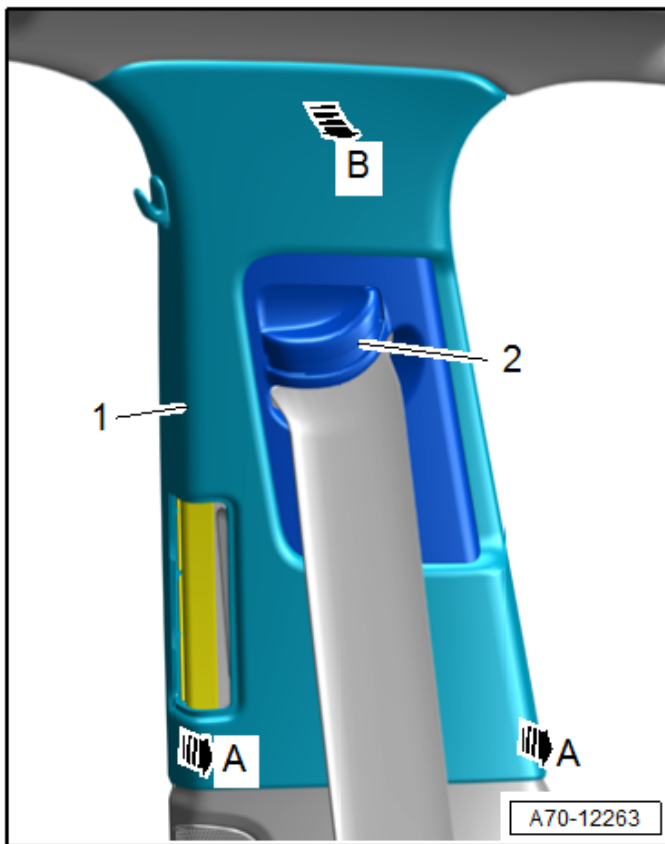
Subsection 3 – Q7 Seat Belt Replacement (criteria FI 01, FI 02, FI 01 02)



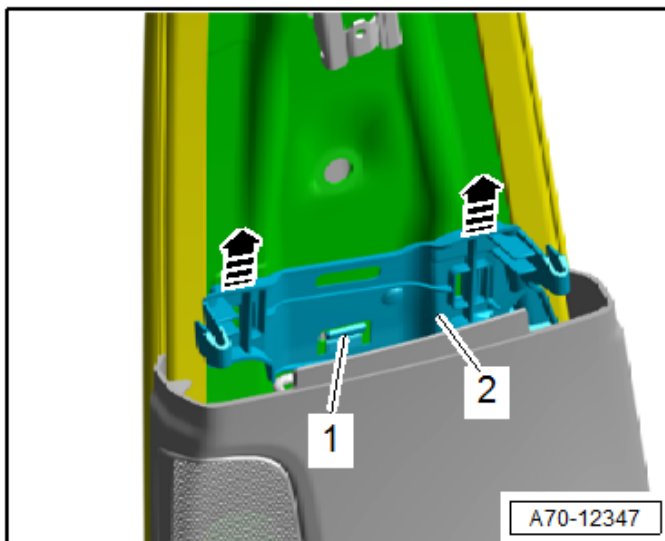
- Adjust the front seat all the way forward into its highest position.
- Free up the sill panel in the area of the door seal.
- Unclip sill panel <1> from the side sill starting at the front using the -3409- in direction of <arrow A>.
- Release the retaining tab from the sill panel strip from B-pillar trim using the -T10383/1- in direction of <arrow B>.
- Unclip the sill panel from the back of the side sill using the -3409- in direction of <arrow C>.
- Open the tab <2> on the sill panel strip, guide out the strap and remove the sill panel strip.



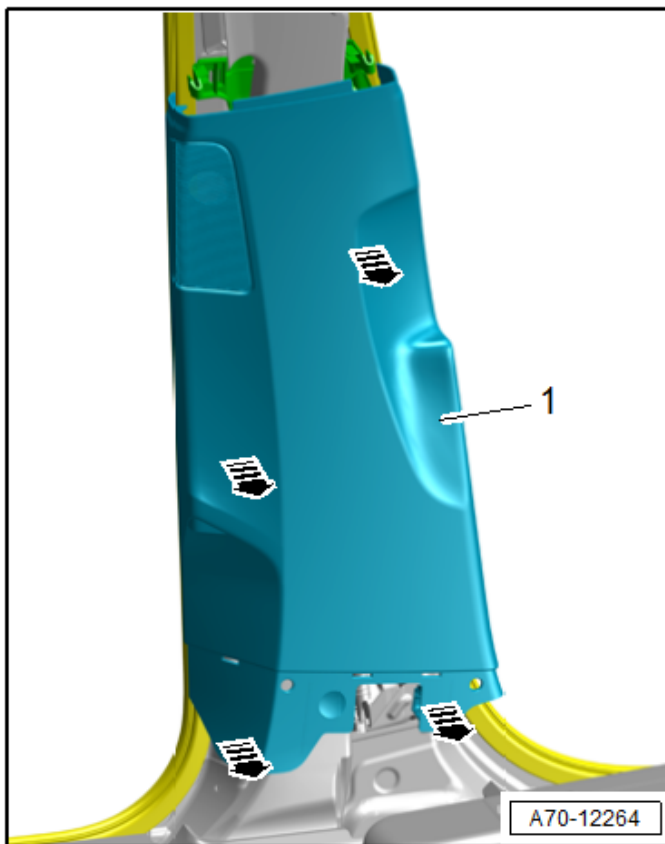
- Release the B-pillar vent <1> at the upper clip using a small screwdriver <arrow>.
- Disconnect the connector and remove vent.



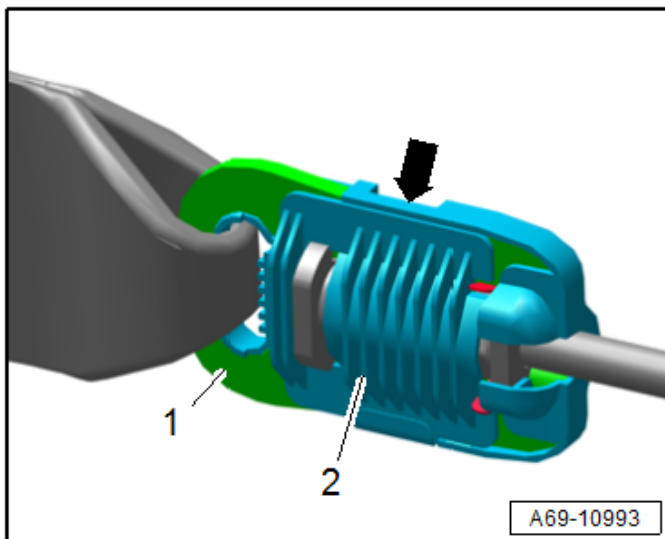
- Move seat belt height adjuster <2> to the lowest position.
- Free up the B-pillar trim panel <1> near the door seals, disengage at the B-pillar and unclip from the bracket in direction of <arrows A>.
- Remove the B-pillar upper trim panel from the mount on the body in direction of <arrow B> by tilting the trim panel inward and pulling it downward at the same time.
- Remove the B-pillar trim panel with the seat belt still threaded through.



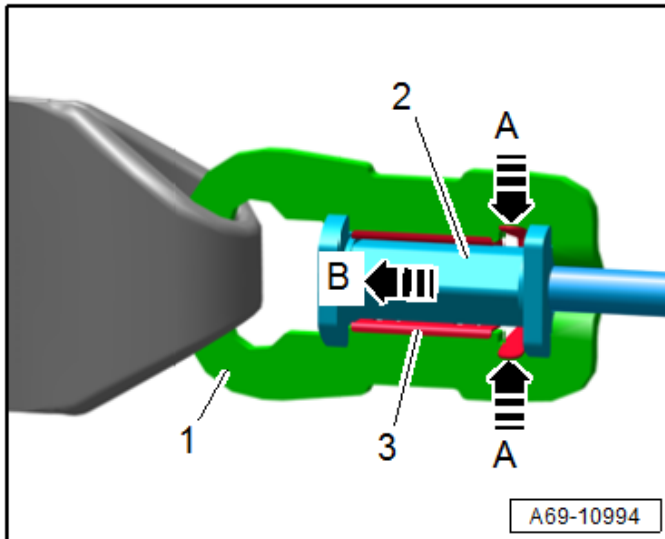
- Disengage the air duct at the B-pillar and push slightly to the side together with the seat belt webbing.
- Release the catch <1> using a screwdriver and pull the bracket <2> for the B-pillar trim panel upward out of the mounts in direction of <arrows>.



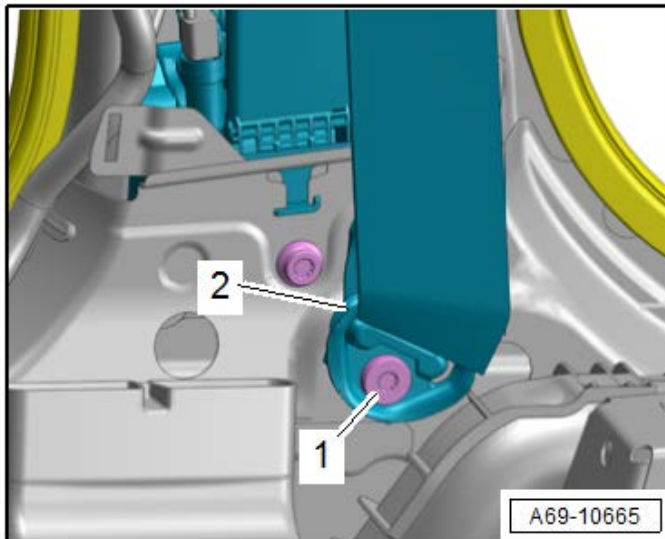
- Free up the B-pillar lower trim panel <1> in the area near the door seals, disengage on the side at the B-pillar and unclip from the B-pillar using the -80-200- <arrows>.
- Disconnect the speaker connector and remove the trim panel.
- Remove the air duct (if equipped).



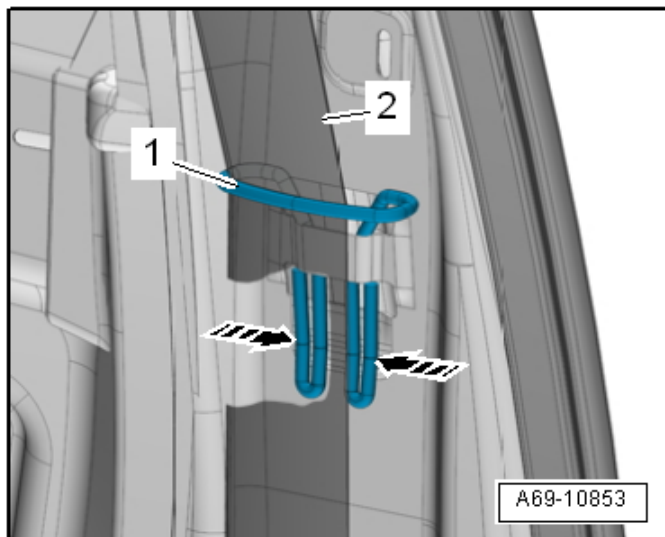
- Open the cover <2> for the belt anchor <1> with a screwdriver on the catches <arrow>, open and push aside.



- Push together the catches on the clamp with a pliers in direction of <arrows A>.
- At the same time push the anchoring pins <2> together with the clamp <3> to release in the direction of <arrow B>.
- Disengage the anchoring pins from the clamp in the belt anchor <1>.



- Remove the bolt <1> and then remove the belt relay <2>.

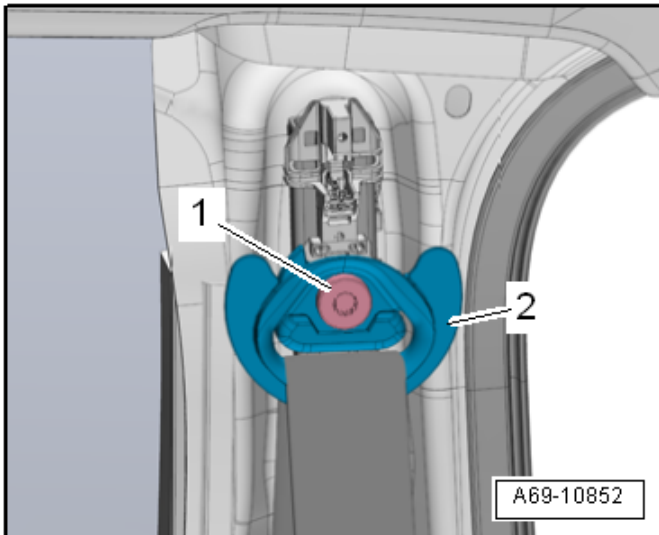


- Push the bracket together <arrows> and remove the belt guide <1> upward.

TIP

Suitable pliers may be required to push the bracket together.

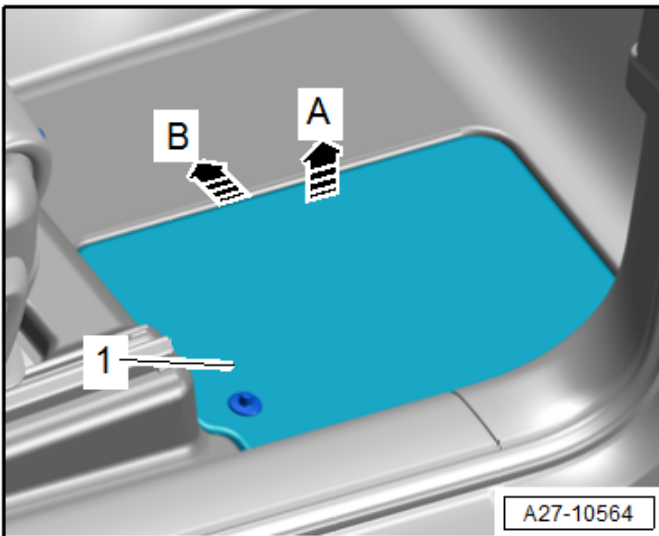
- Guide out the seat belt webbing <2> and remove the seat belt guide.



- Remove the bolt <1>.
- Remove the seat belt relay <2> with the seat belt webbing.

NOTE

If vehicle has criteria open for both sides, repeat the pillar/trim removal steps for the opposite side before disconnecting the battery.



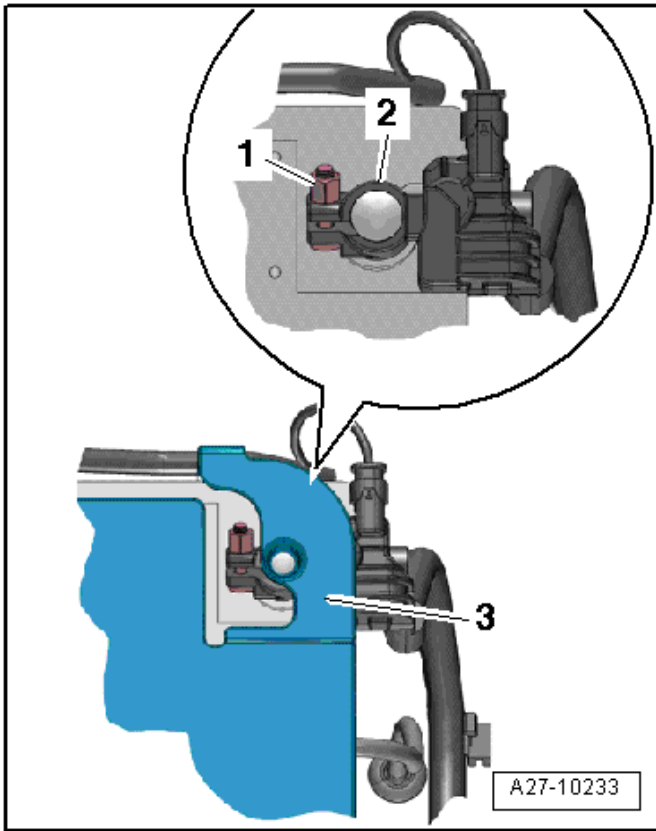
WARNING

Accident risk. When working on pyrotechnic components (such as airbags and belt tensioners), the battery must be disconnected with the ignition switched **ON**.

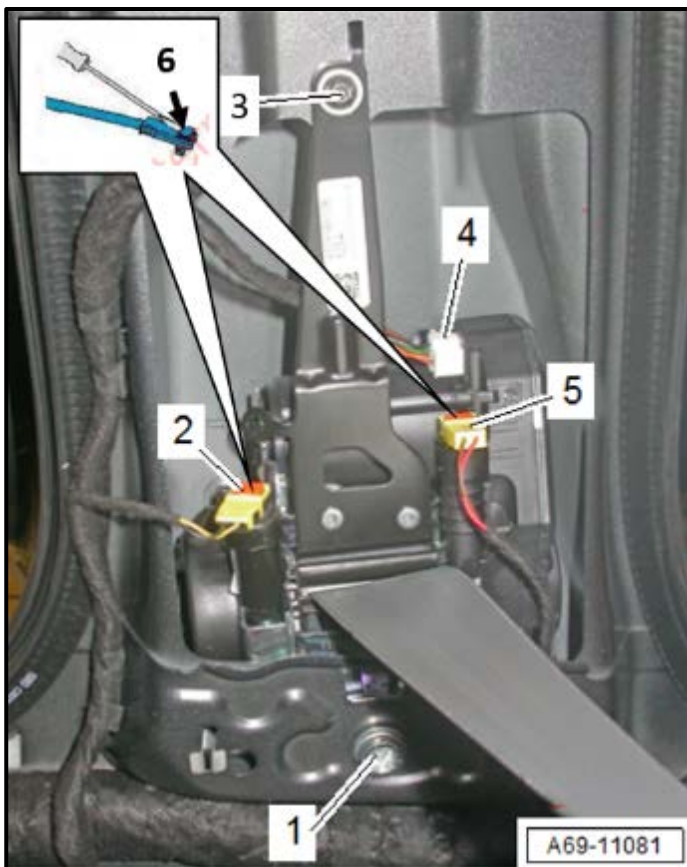
- Adjust the front passenger seat as far to the rear as possible. Use the entire adjustment range of the seat adjustment for this.
- Remove the floor mat from the front passenger footwell.
- Release the cover <1> upward in direction of <arrow A> and remove toward the center of the vehicle in direction of <arrow B>.

NOTE

When replacing the passenger seat belt (criteria 04), move the passenger seat forward enough so the battery terminal and the seat belt can be accessed.



- Open the cover <3> over the battery negative terminal.
- Loosen the nut <1> several turns. Remove and isolate the battery ground cable clamp <2> from the battery terminal.



⚠ WARNING

Before handling pyrotechnic components (for example, disconnecting the connector), the person handling it must “discharge static electricity”. This can be done by touching the door striker, for example.

- Disconnect connectors <2 and 5> using a small flat bladed screwdriver to disengage connector lock <6>.
- Push the release to disconnect the seat belt tensioner control module connector <4>.

i TIP

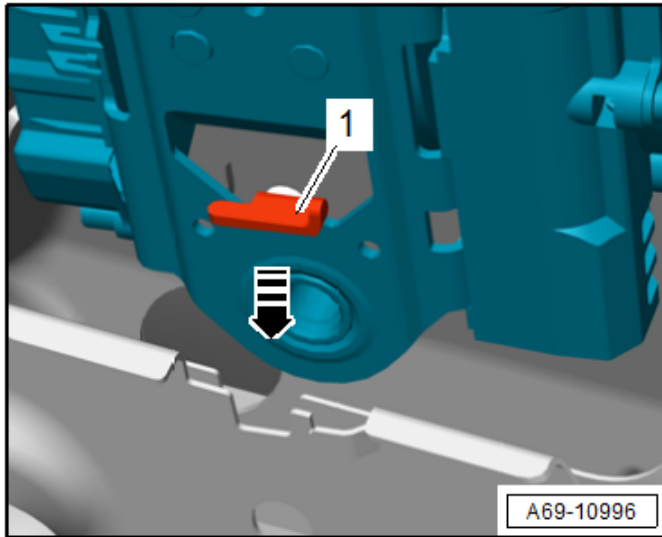
It may be necessary to remove the seat belt to access the connector lock for connector <4>.

- Remove the bolts <1 and 3> and then remove the automatic belt retractor from the mount.
- Install the new seat belt, torque bolt <1> to 40 Nm and torque bolt <3> to 4.5 Nm.

Criteria	Part Number	Description
FI 01 21	4M0857705K GLE	Driver seat belt
FI 02 24	4M0857706K GLE	Passenger seat belt
FI 01 22	4M0857705K GWQ	Driver seat belt

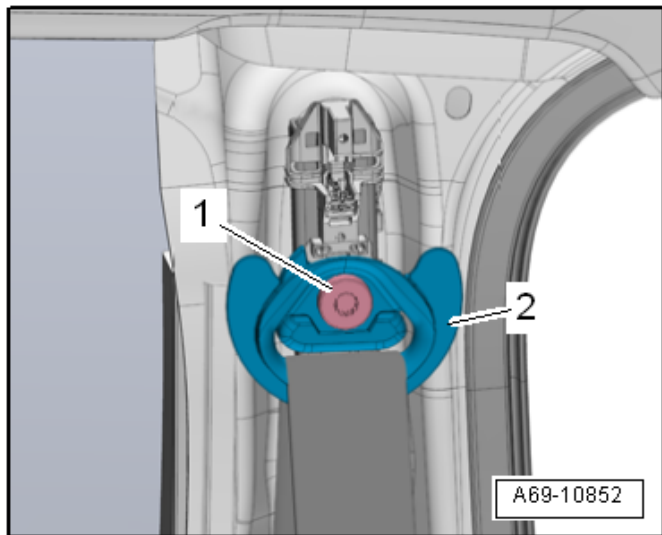
FI 02 25	4M0857706K GWQ	Passenger seat belt
FI 01 23	4M0857705K V04	Driver seat belt
FI 02 26	4M0857706K V04	Passenger seat belt

- Connect connectors <2, 4 and 5> and engage the locks <6>.



NOTE

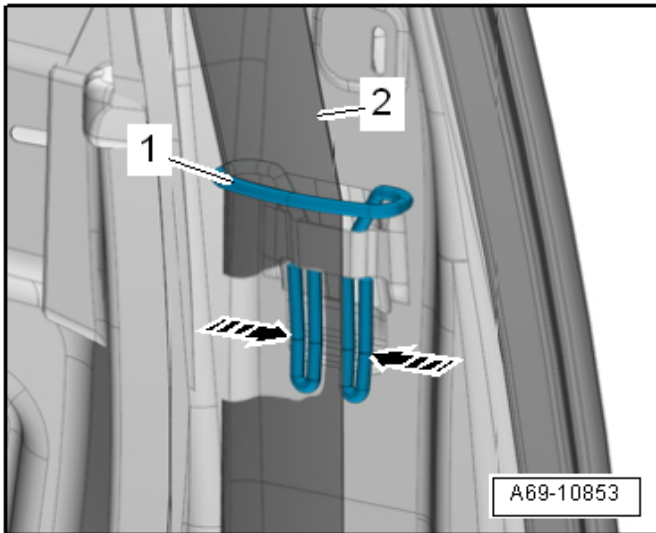
Insert the automatic belt retractor with the anti-twist mechanism <1> in the mount in direction of <arrow> before tightening the bolt.



- Install seat belt relay <2> and torque bolt <1> to 40 Nm.

NOTE

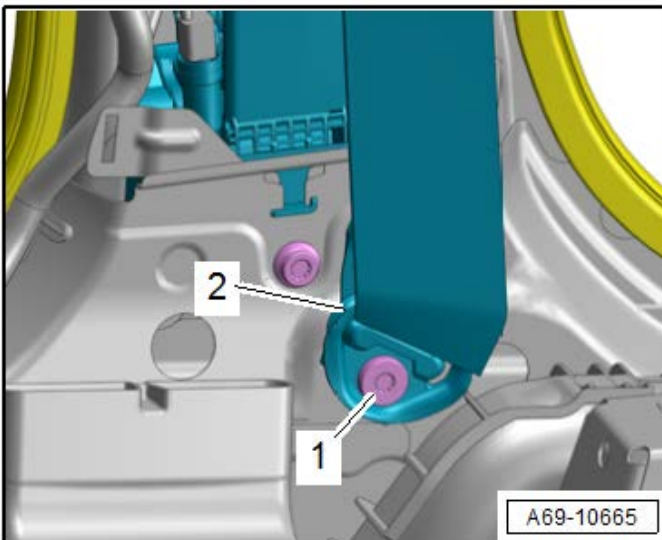
Ensure the seat belt is not twisted between the relay and the retractor.



- Guide out the seat belt webbing <2> through the belt guide <1>.
- Push the bracket together <arrows> and install the belt guide <1> downward.

TIP

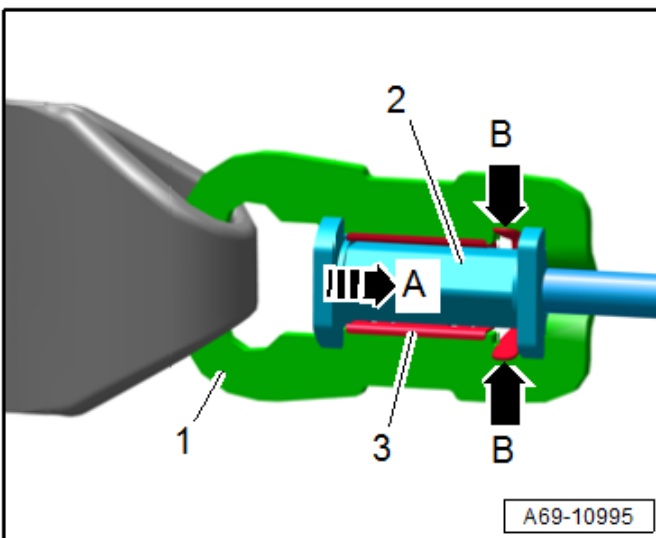
Suitable pliers may be required to push the bracket together.



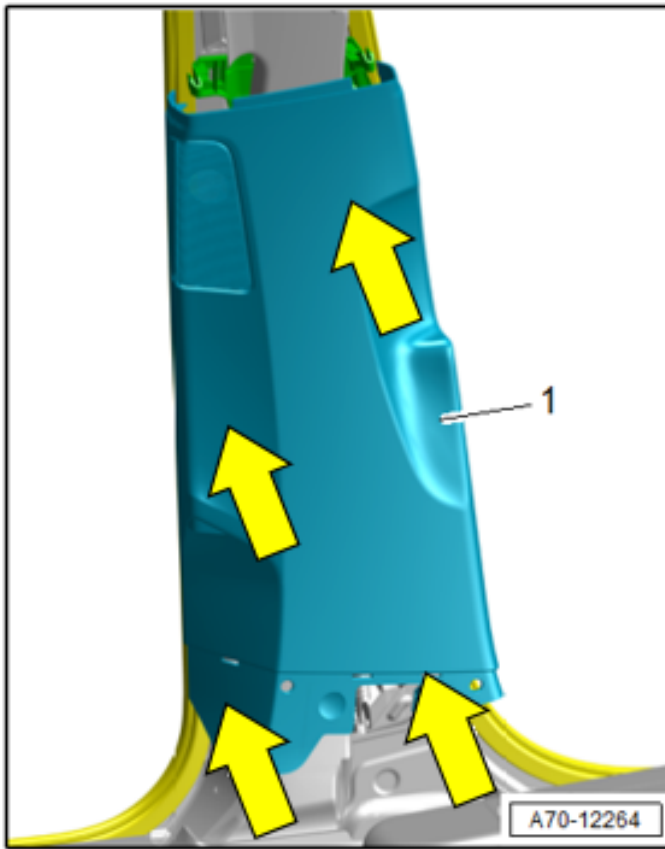
- Install lower belt relay <2> and torque bolt <1> to 40 Nm.

NOTE

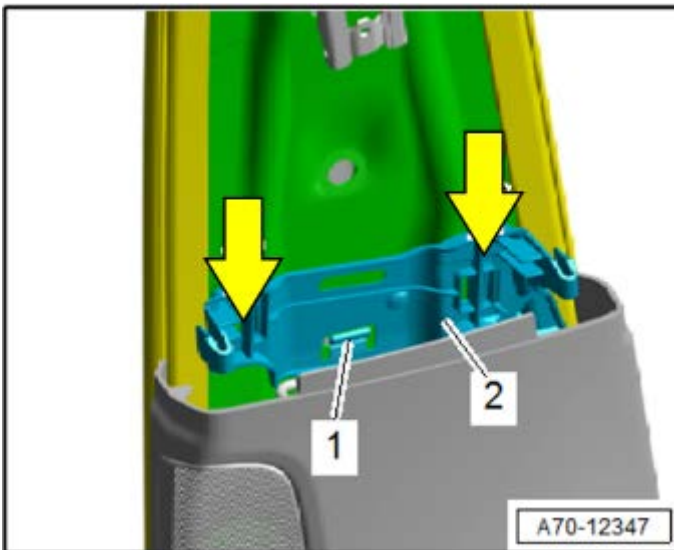
Ensure the seat belt is not twisted between the upper and lower relays.



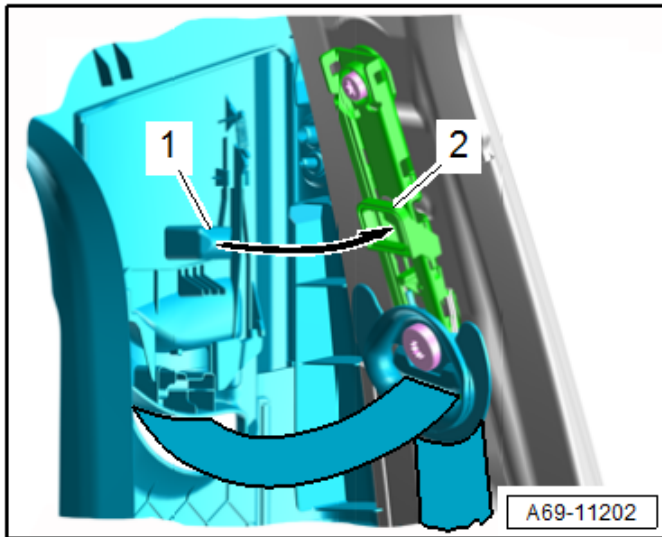
- Install belt end fitting:
 - Engage the anchoring bolts <2> in the clamp <3> and push in the direction of <arrow A>, until the catches <B arrows> engage.



- If needed, remove any trim clips from the body using Omega Clip Tool -T40280- (or equivalent).
- If equipped, install the air duct.
- Connect speaker connector.
- Install lower B-pillar trim.



- Slide the bracket <2> into the mounts in the direction of <arrows> until catch <1> audibly locks.

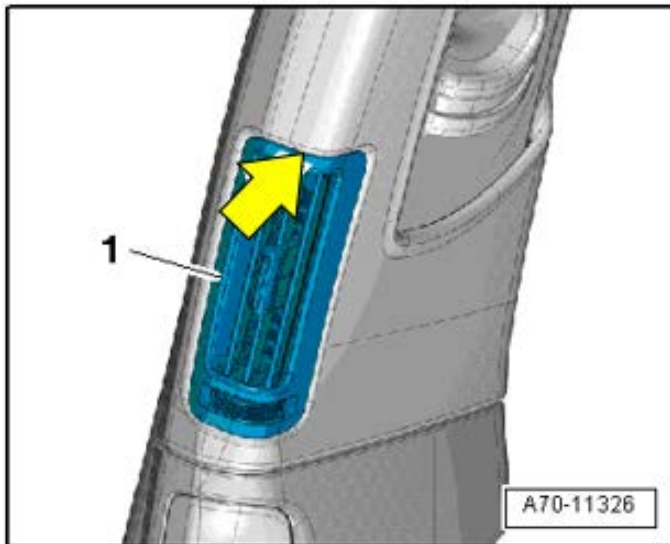


- Guide the belt webbing and seat belt latch in through the slide for the seat belt height adjuster.

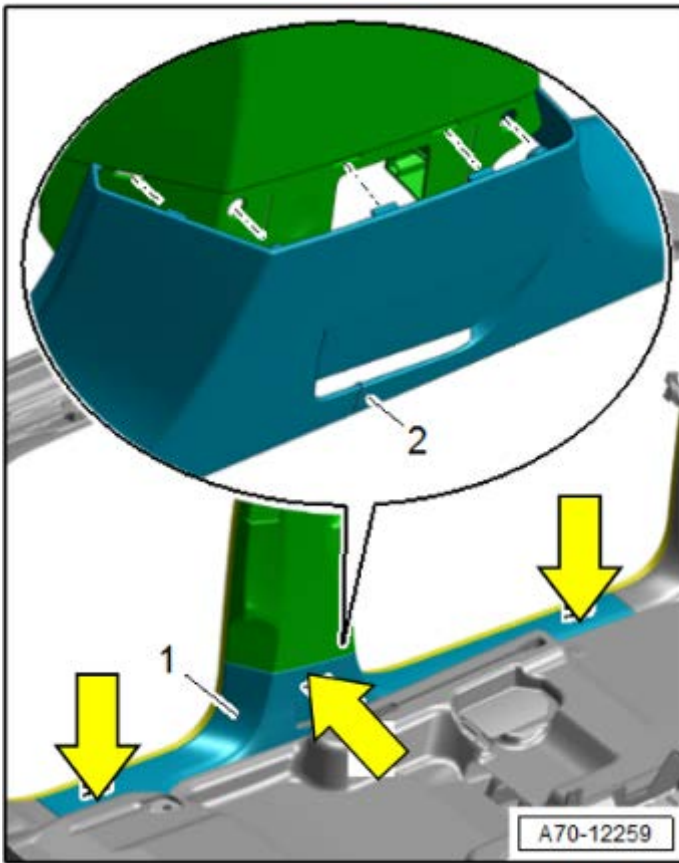
NOTE

Ensure the seat belt is not twisted between the relay and the height adjuster.

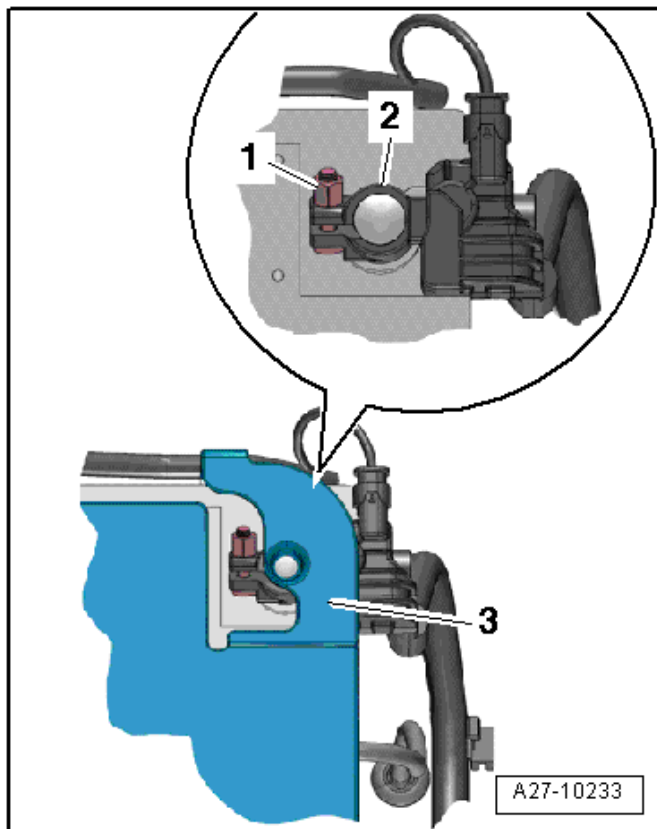
- Make sure that the belt height adjuster is in the lowest position.
- Insert the B-pillar trim panel upward into the mount on the roof.
- When installing the upper B-pillar trim, the retaining pin <1> for the sliding piece on the B-pillar trim panel must engage in the mount <2> on the seat belt height adjuster <arrow>.



- Connect connector to vent and install B-pillar vent.



- If needed, remove trim clips from the body using Omega Clip Tool -T40280- (or equivalent) and install into the trim panel.
- Open tab <2> and guide seat belt through the opening.
- Install sill panel <1>.



⚠ WARNING

Ignition must be ON when connecting battery. If pyrotechnic components (e.g. airbag, belt tensioner) are not repaired correctly, they may deploy unintentionally after connecting the battery. There must not be anyone inside the vehicle when connecting the battery.

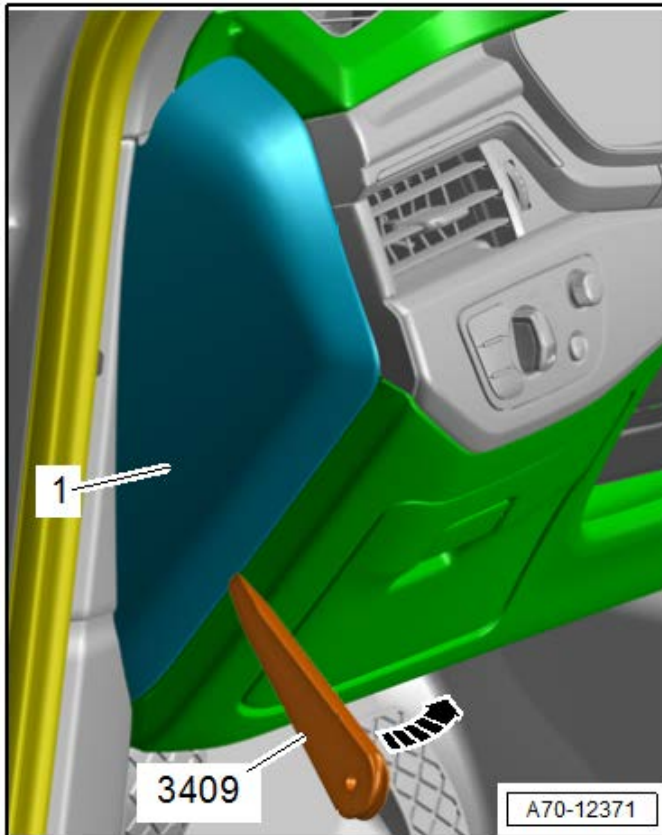
- Disconnect the connector <2> from the Battery Monitoring Control Module -J367- <3>.
- Attach the battery ground cable clamp by hand to the battery negative terminal and torque the nut <1> to 6 Nm.
- Reconnect the connector to the Battery Monitoring Control Module -J367-.
- Install cover <3>.
- Install battery cover.
- Install floor mat.

Continue to Section E.

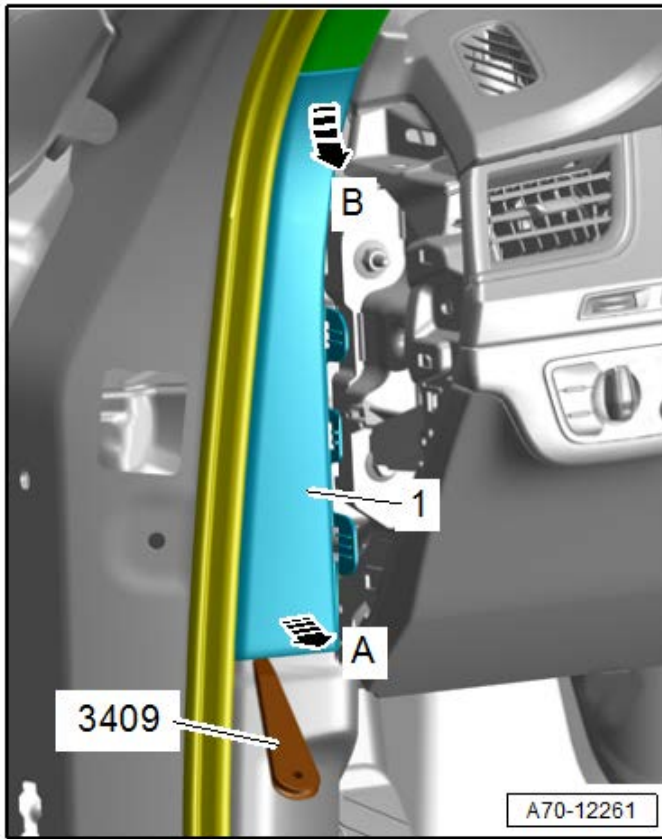
Section C – Head Curtain Airbag (criteria 03 and 04)

NOTE

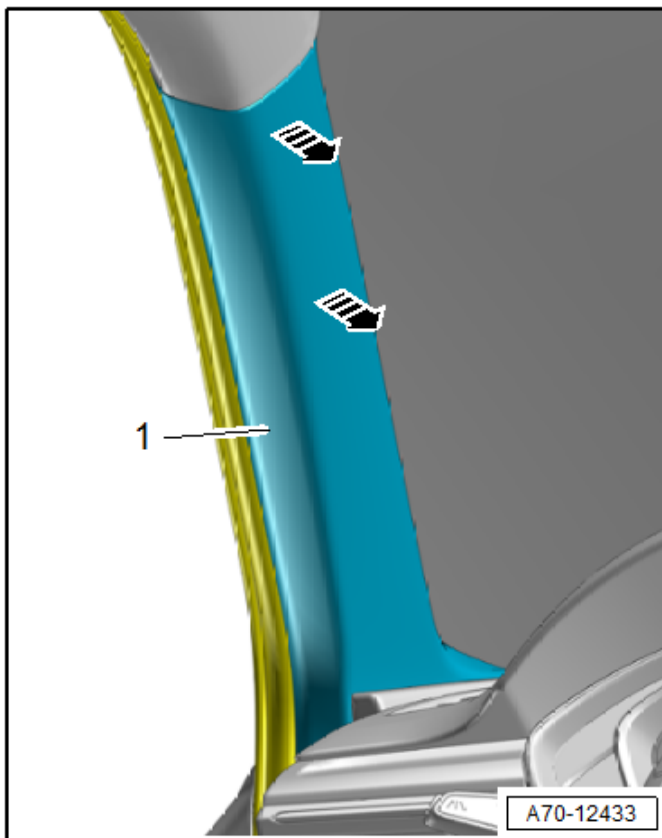
The procedures shown for head curtain airbag replacement illustrate the driver side. Repeat the steps for removal and installation of trim panels for the passenger side.



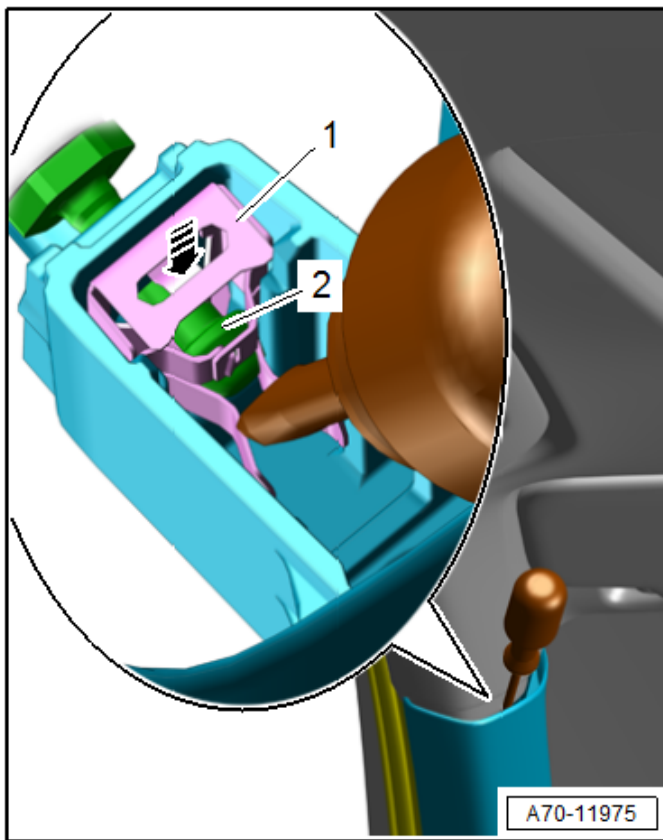
- Pry off the cover <1> for the instrument panel side cover using the -3409- in the direction of <arrow>.
- Release the remaining retainers, pull the instrument panel cover out of the A-pillar gap cover and remove it.



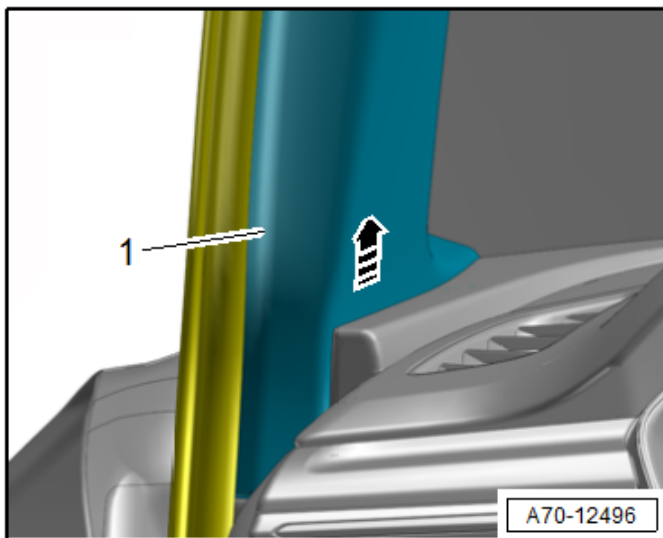
- Unclip the A-pillar gap cover <1> using the -3409- <arrow A> and disengage at the A-pillar upper trim panel <arrow B>.



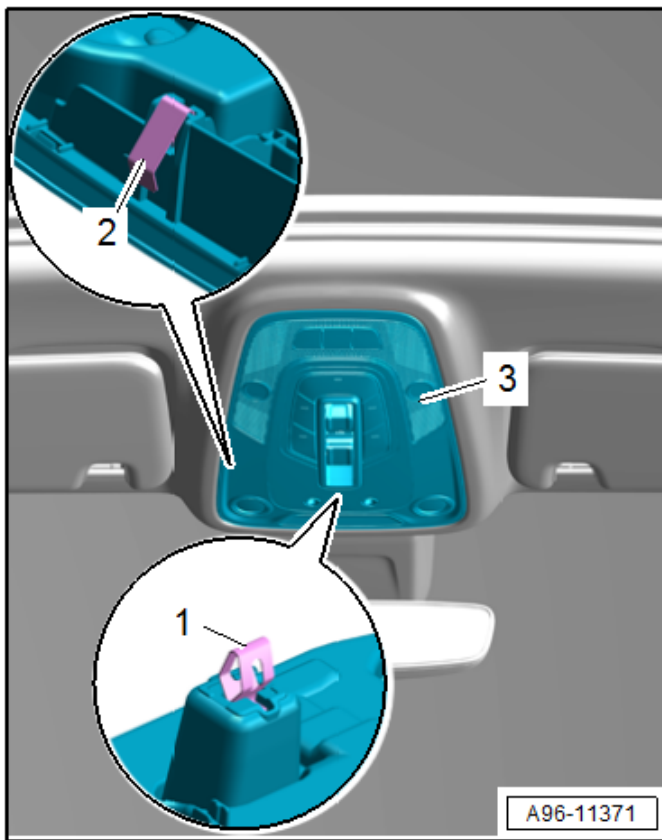
- Free up the A-pillar trim panel <1> in the door seal area.
- Detach the A-pillar trim panel using the -3409- up to the first retainer <arrows>.



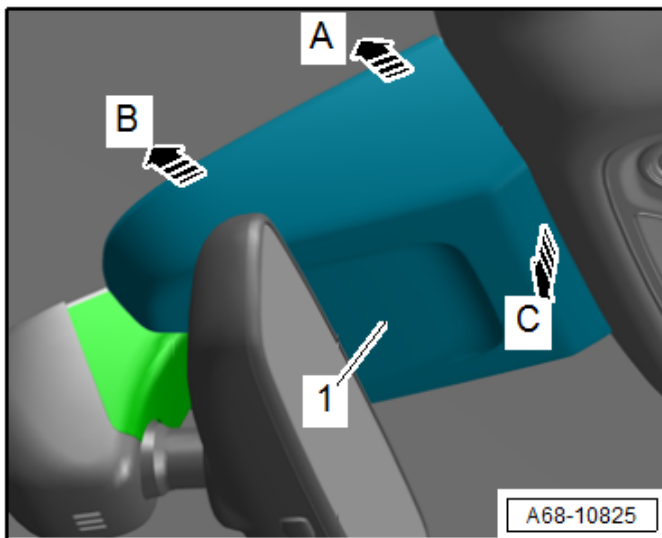
- Place a flat-head screwdriver at the position shown on the clip.
- Push the clip downward with the flat-head screwdriver into the trim panel <arrow>. This will move the clip hooks from the pin head <2>.



- Carefully remove the trim panel <1> upward out of the instrument panel in the direction of <arrow>.
- If equipped, disconnect the connector for the treble speaker.

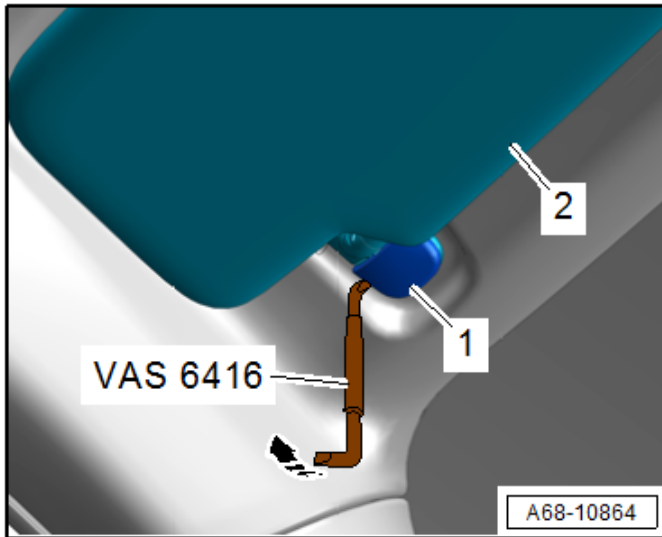


- Pry the front roof module <3> at the clamp <2> out of the roof opening using the -3409-. In doing so, the clamp <1> is removed from the body.
- Disconnect the connectors and free up the wiring harness.



For vehicles with a front camera:

- Unclip the cover <1> using the medium-hard clip release lever (from the -VAS6845- kit) in the direction of <arrows A, B and C> by carefully inserting the clip release lever between the windshield and the cover.
- Repeat the procedure on the opposite side.
- Disengage the front of the cover <1> and remove it toward the rear.



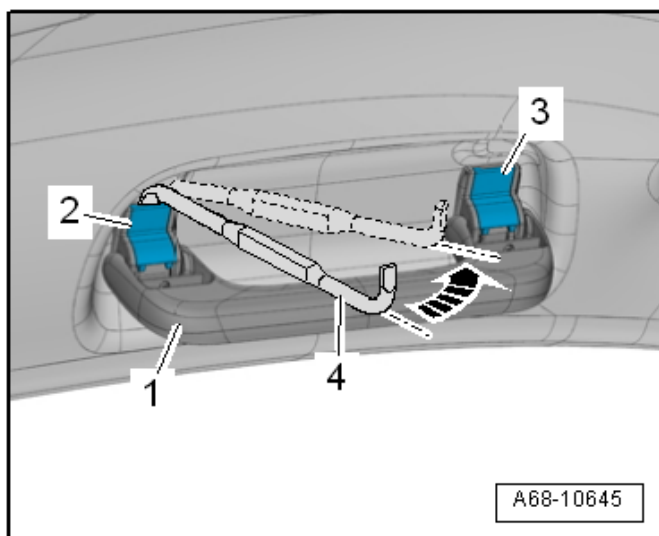
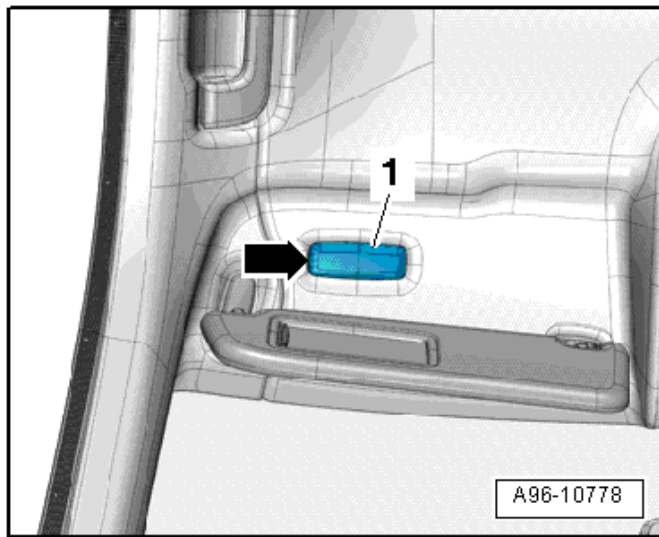
Continued for all vehicles:

- Unclip the sun visor mount expanding cap <1> in the direction of <arrow> by sliding the -VAS6416- approximately 1 mm under the cap.

NOTE

If the -VAS6416- is inserted farther, it will be located under the sun visor. It is not possible then to pry out the expanding cap.

- Disengage the sun visor <2> at the center support.
- Disengage the sun visor mount downward from the opening in the body and remove it.
- Disconnect the connector and remove the sun visor.
- Carefully pry out the vanity mirror lighting <1> at the opening <arrow> using a flat-head screwdriver.
- Disconnect the connector.



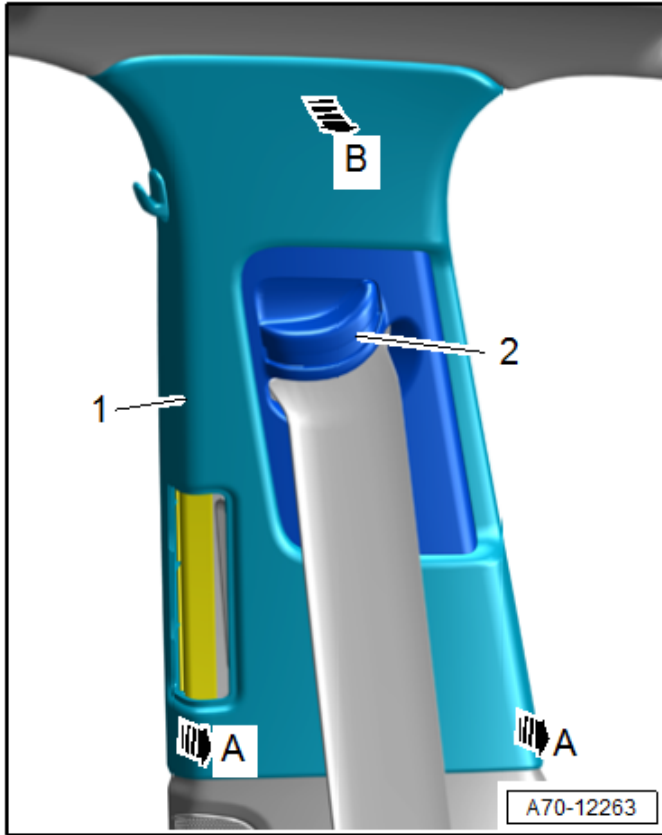
NOTE

• There is a risk of destroying the roof grab handle if the silicone brake and spring fall out. Replacement of the grab handle due to improper removal will not be covered under this action.

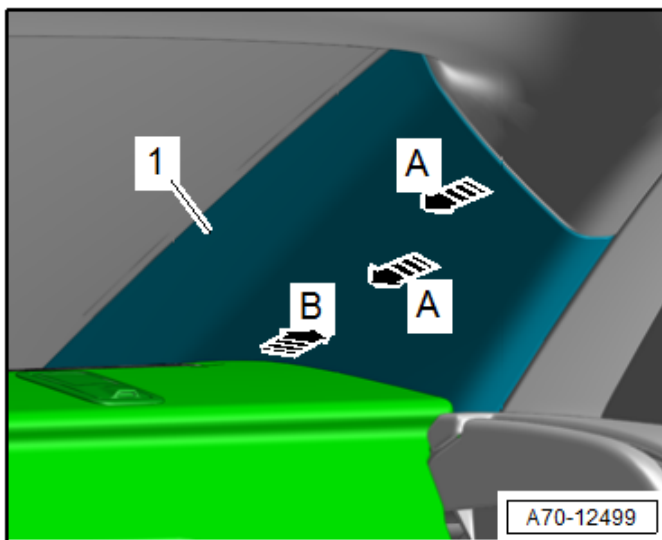
• Only unclip the expanding caps <2 and 3> up to their lock position. Do not remove them completely.

- Place the angled screwdriver <4> in the gap behind the clips <2>.
- Pivot the angled screwdriver in the direction of <arrow>, until the clips slide audibly into the rest position.
- Repeat the procedure on clip <3>.

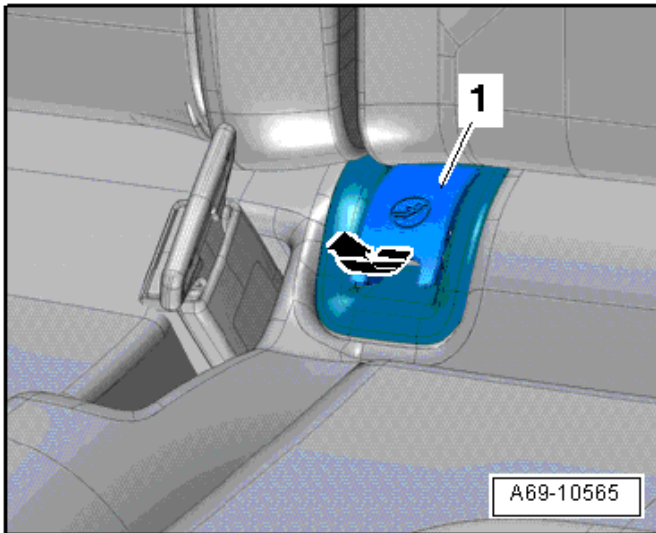
- Remove the roof grab handle <1> from the body opening.
- Leave the expanding caps in the rest position in the roof grab handle.
- Remove all four grab handles.



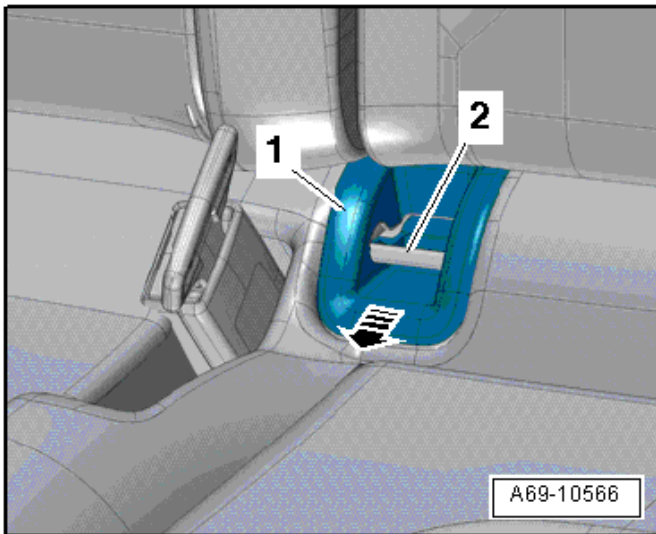
- Move seat belt height adjuster <2> to the lowest position.
- Free up the B-pillar trim panel <1> near the door seals, disengage at the B-pillar and unclip from the bracket in the direction of <arrows A>.
- Remove the B-pillar upper trim panel from the mount on the body in the direction of <arrow B> by tilting the trim panel inward and pulling it downward at the same time.
- Remove the B-pillar trim panel with the seat belt still threaded through.



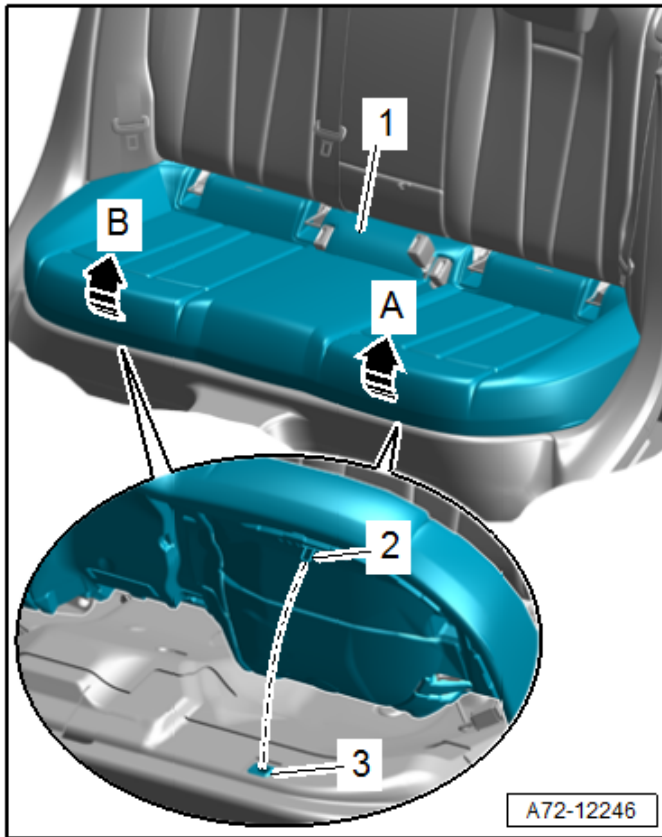
- Unclip the D-pillar trim panel <1> from the D-pillar <arrows A> using the -80-200-.
- Pull the D-pillar trim panel upward from the rear shelf <arrow B> and remove it.



- Move the front seats all the way forward.
- Unclip the child seat anchor cover <1> from the anchor in the direction of <arrow> and remove.



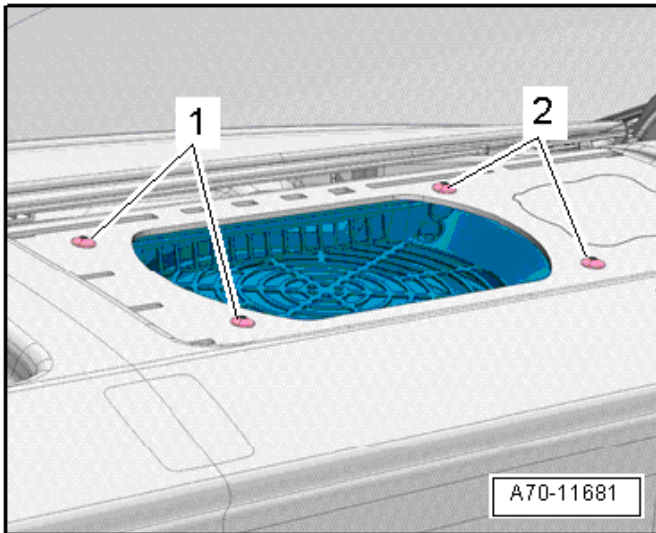
- Push the child seat anchor guide <1>, corresponding to cut-out, downward and disengage it from the anchor <2>.
- Remove the child seat anchor guide forward in the direction of <arrow>.



- With both hands, grasp the bench seat <1> under the seat frame <2>.
- Use both hands to firmly pull the side of the bench seat upward with a jerk in the direction of <arrow A>. This will disengage the seat frame from the front mount <3>.
- Repeat the procedure on the other side of the bench seat in the direction of <arrow B>.
- Push the side of the bench seat toward the rear. This will disengage the seat frame from the mount.
- If equipped, disconnect the seat heating connectors.
- Remove the bench seat.

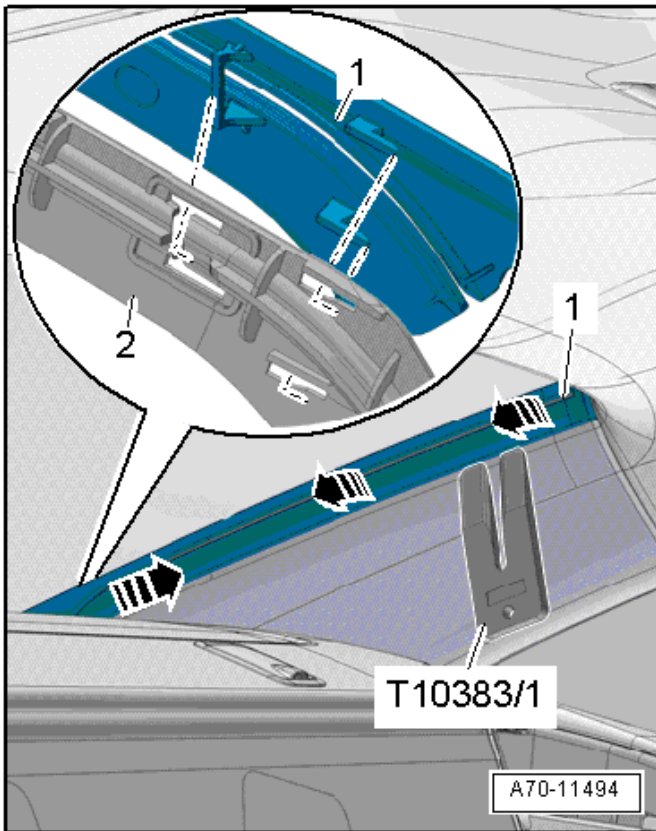


- Remove the nut <1>.
- Hold the seat belt webbing aside and remove the side cushion <2> downward from the threaded pins.
- Fold the rear seat backrest forward.
- Pull the side cushion downward and remove it from the seat belt guide <arrow>.



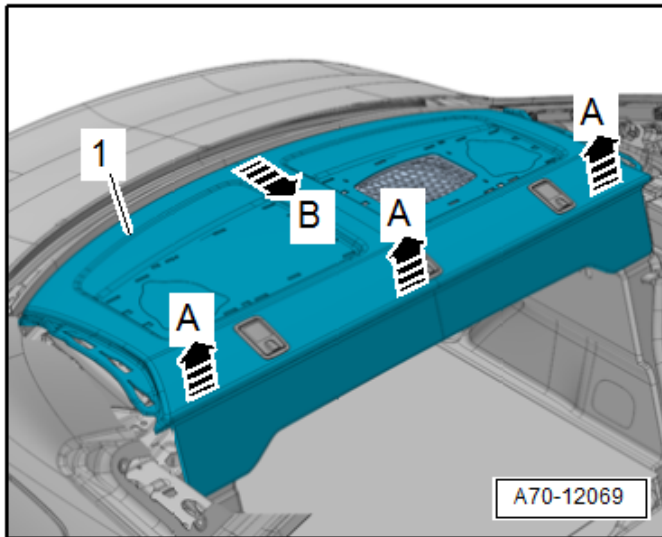
If equipped:

- Remove the speaker trim.
- Remove the bolts <1 and 2>.



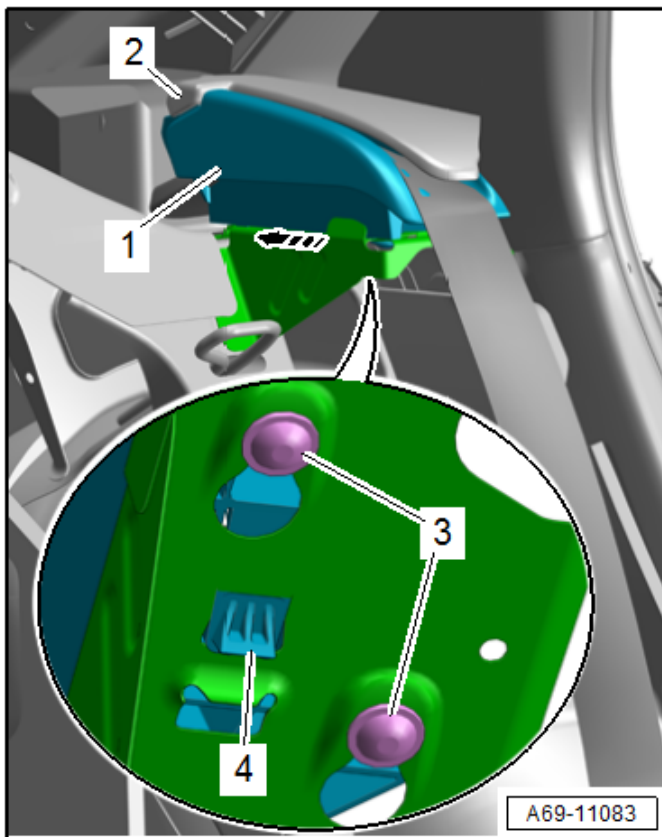
If equipped with rear sunshade:

- Fold the foldable rear seat backrest forward.
- Vehicles with sun shade: starting at the top, use the -T10383/1- to unclip the trim <1> for the sun shade guide rail <arrows>.
- Pull the lower part of the trim upward and out of the sun shade guide rail <2>; then remove it toward the inside.



Continued for all vehicles:

- Unclip the rear shelf <1> at the front using the -80-200- <arrows A>.
- Pull the rear shelf forward out of the mounts in the rear window frame <arrow B> or rear sunshade.

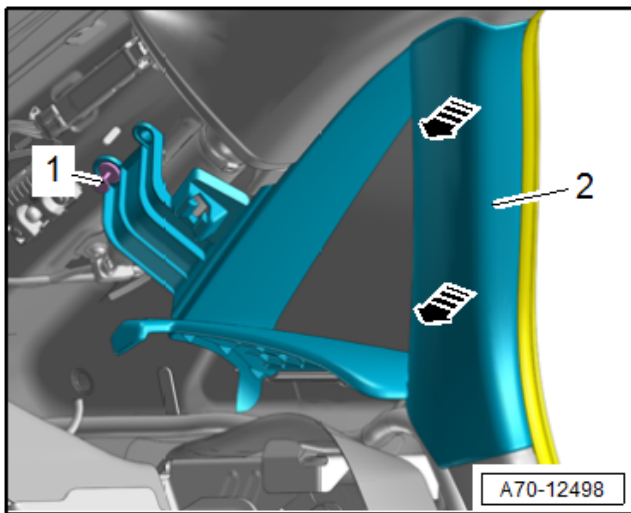


- Push the belt guide retaining hook <4> upward and hold it there.
- Lift the C-pillar trim panel <2> slightly and push the seat belt guide toward the rear in the direction of <arrow> until the bolt heads <3> can be disengaged from the bracket on the body.

NOTE

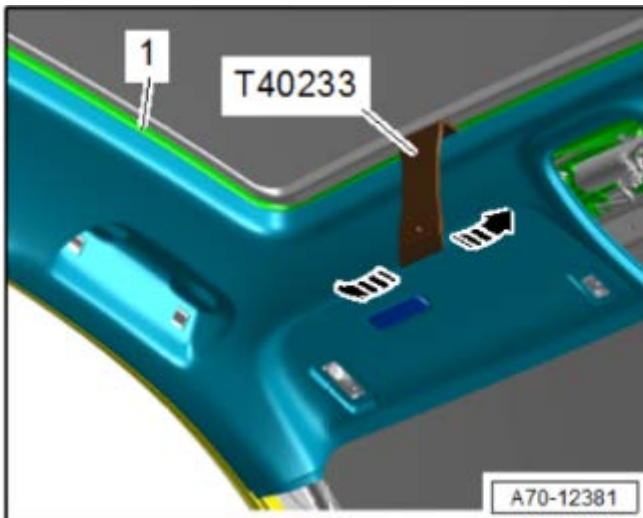
Do not rotate the bolts <3> under any circumstances when removing and installing the seat belt guide <1>. They are set by the manufacturer.

- Remove the seat belt guide <1> sideways toward the vehicle interior.
- Equipped on some models on the right side of the vehicle: Disconnect the connector for the parking aid warning buzzer.
- Thread the seat belt webbing out and remove the seat belt guide.



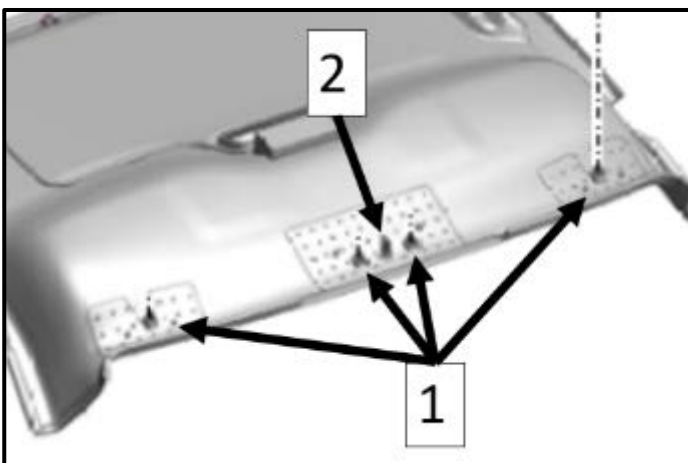
- Remove the expanding clip <1> with the -T40172C- (or equivalent).
- Free up the C-pillar trim panel <2> near the door seal, disengage at the front of the C-pillar and unclip from the C-pillar using the -80-200- (or equivalent) in the direction of <arrows>.

For vehicles with a sliding sunroof:



- Open the sun shade.
- To avoid dirtying the headliner, clean the -T40233-.
- Push the -T40233- between the frame <1> for the sliding sunroof and the headliner.
- Loosen the headliner using the -T40233- from the sliding sunroof frame all the way around <arrows>, as shown.

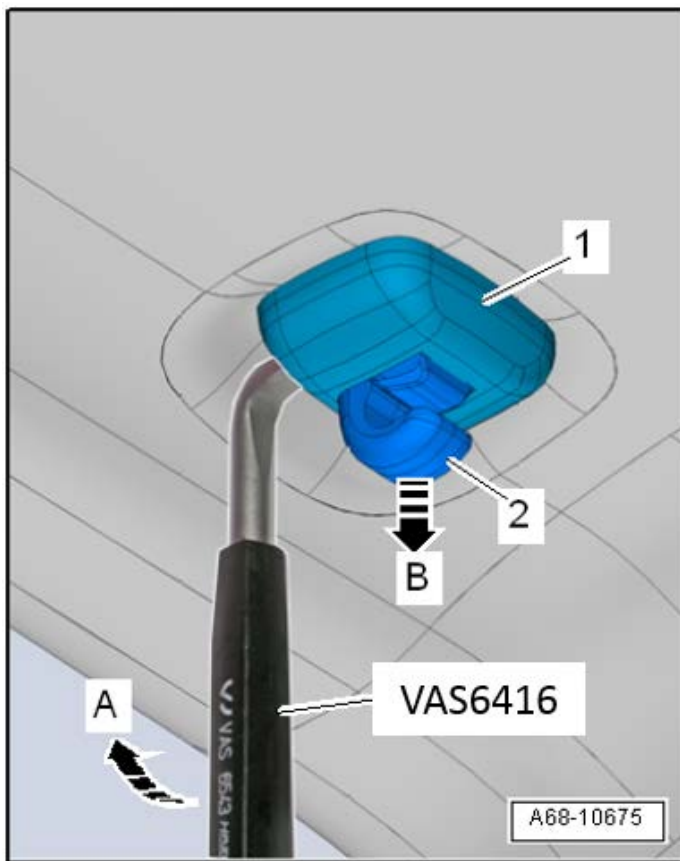
Continued for all vehicles:



- Fold the foldable rear seat backrest back toward the rear.
- Position the front seats so the headrests are an equal height.
- Free up the headliner in the area near the inner door seals.
- Unclip the headliner at the clips <arrows 1> from the body using the -80-200-.
- Unclip the headliner at the centering pin <arrow 2> from the body.

NOTE

Use extreme care when removing the headliner from the body at clips <1> so the headliner does not bend or crease. Damage to the headliner will not be covered under this action.



- Unclip the sun visor center support cover <1> by sliding the -VAS6416- only about 1 mm under the cap in the direction of <arrow A>.

NOTE

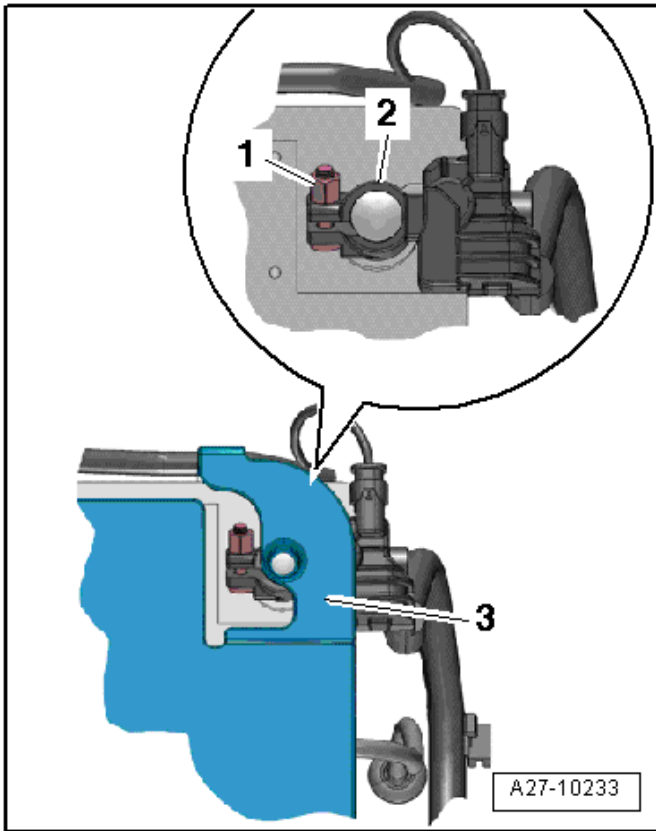
If the -VAS6416- is inserted farther, it will be located under the sun visor. It is not possible then to pry out the expanding cap.

- Remove sun visor center support <2> in the direction of <arrow B>.
- Remove both sun visor center support covers.

- Lower the headliner so it rests on the front seat headrests.
- Place clean shop rags over the center console to prevent damage to the center console.
- Recline both of the front seats evenly to lower the headliner.

NOTE

The rear interior lamp does not have to be removed.



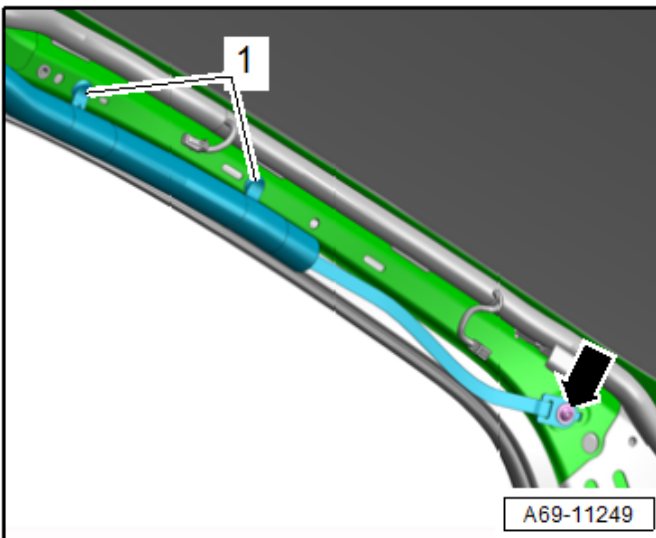
⚠ WARNING

Accident risk. When working on pyrotechnic components (such as airbags and belt tensioners), the battery must be disconnected with the ignition switched **ON**.

- Turn the ignition **ON**.
- Open the trunk/rear lid.
- Lift the luggage compartment floor cover.
- If equipped, remove the spare tire and vehicle tool kit mount.
- Open the cover <3> over the battery negative terminal.
- Loosen the nut <1>.
- Remove and isolate the battery ground cable terminal from the battery pole.

! NOTE

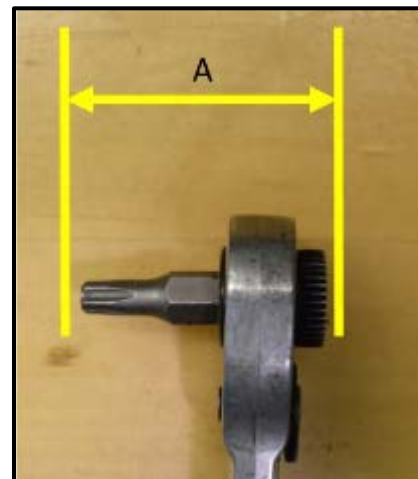
Before disconnecting the battery, it is recommended to record the customer's radio presets so they can be restored before returning vehicle to the customer.

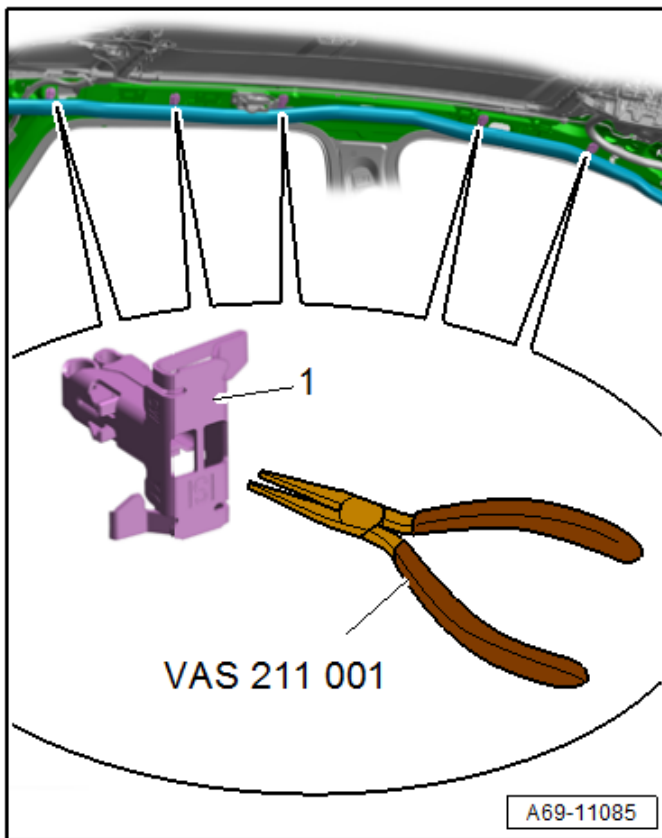


- Remove and discard bolt <arrow>.
- Unclip the clips <1> from the A-pillar using -80-200- (or equivalent).

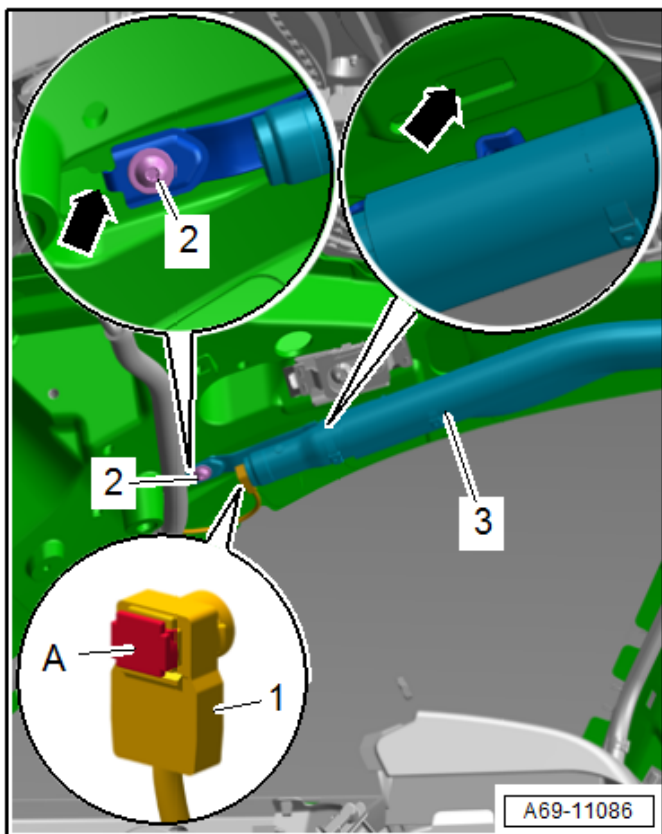
i TIP

Due to the angle of the bolt <arrow> and the position of the dash, a tool with a maximum dimension <A> of 26 mm should be used.





- Unclip the head curtain airbag clips from the body using -VAS211001-.
 - Guide the plier tips into the openings, press the clip catches <1> for the head curtain airbag together and remove the clip.



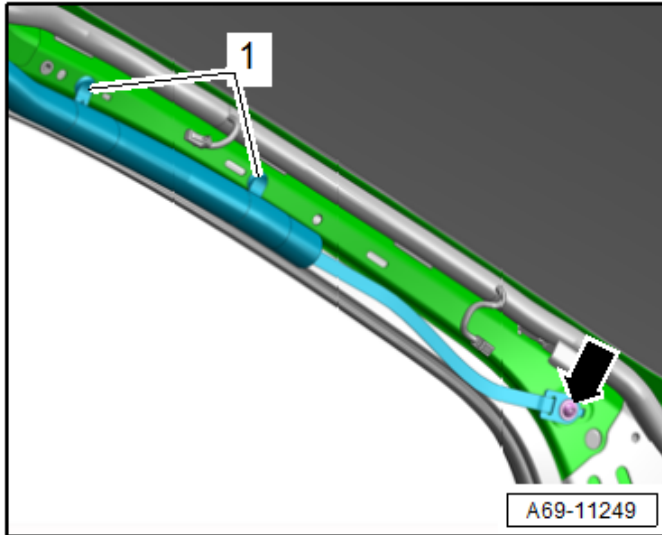
- Release the connector lock <A> with a small screwdriver.
- Remove the connector <1>.
- Remove and discard bolt <2>.
- Slide the head curtain airbag <3> out of the mounts on the body <arrows> toward the rear and remove it.
- Slide the new head curtain airbag into place, ensuring the mounts <arrows> and engaged correctly.

Criteria	Part Number	Description
FA 03	8W5880741E	Head curtain airbag left
FA 04	8W5880742E	Head curtain airbag right

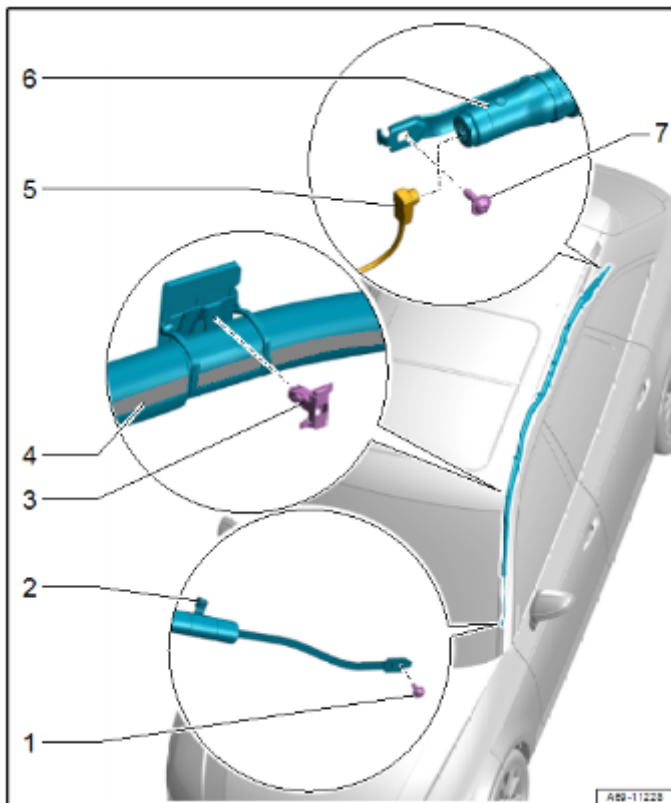
- Install connector <1> and engage lock <A>.
- Do not install bolt <2> at this time.



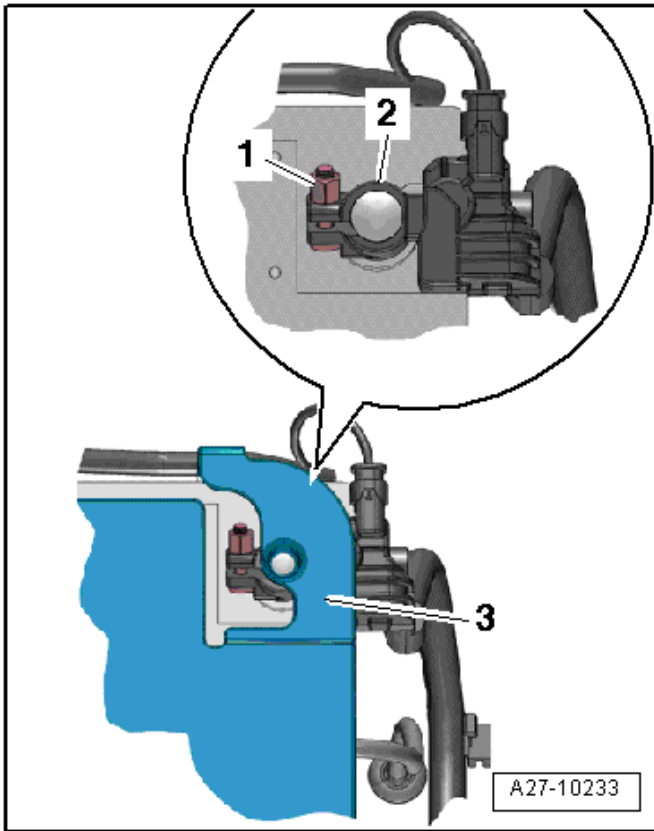
- Unwrap the head curtain airbag, making sure the colored strips are visible along the entire length. This will ensure that the head curtain airbag is not twisted.



- Install clips <1>.



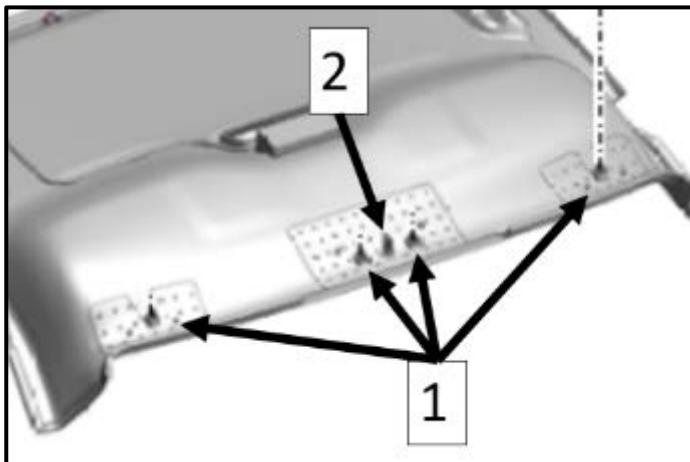
- Install bolts <1 and 7> and torque to 5 Nm.
- Install clips <3> along the length of the head curtain airbag.
- Ensure the clips engage audibly.



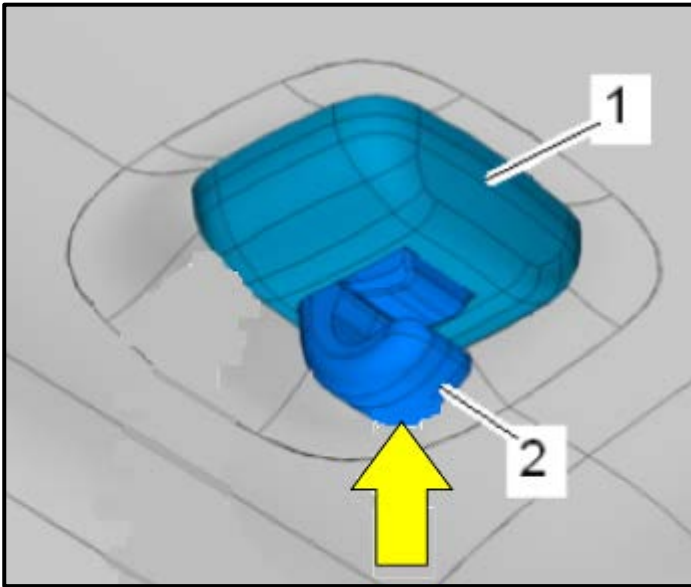
⚠ WARNING

Ignition must be ON when connecting battery. If pyrotechnic components (e.g. airbag, belt tensioner) are not repaired correctly, they may deploy unintentionally after connecting the battery. There must not be anyone inside the vehicle when connecting the battery.

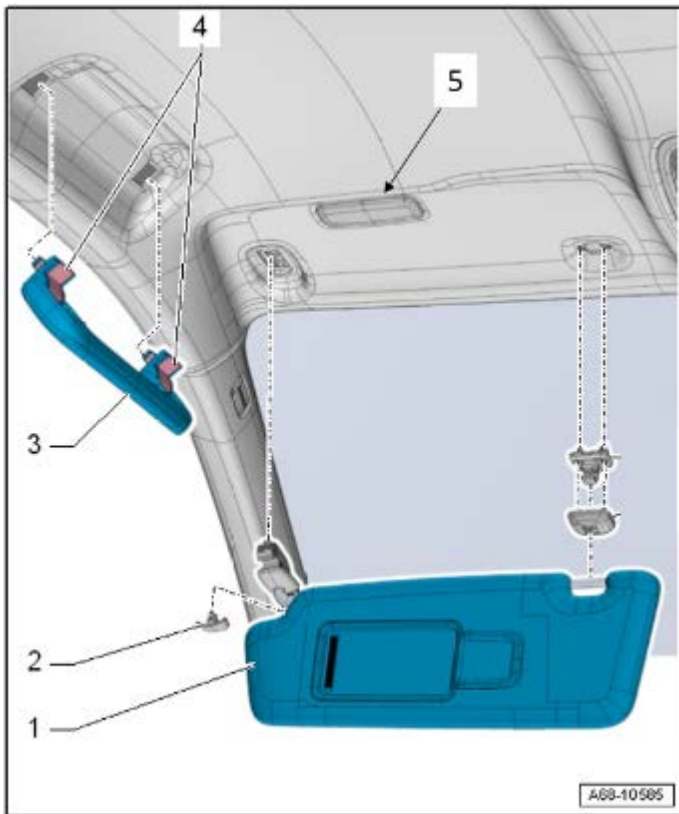
- Disconnect the connector <2> from the Battery Monitoring Control Module -J367- <3>.
- Attach the battery ground cable clamp by hand to the battery negative terminal and torque the nut <1> to 6 Nm.
- Reconnect the connector to the Battery Monitoring Control Module -J367-.
- If equipped, install the vehicle tool kit and spare tire.
- Re-install the luggage compartment floor.



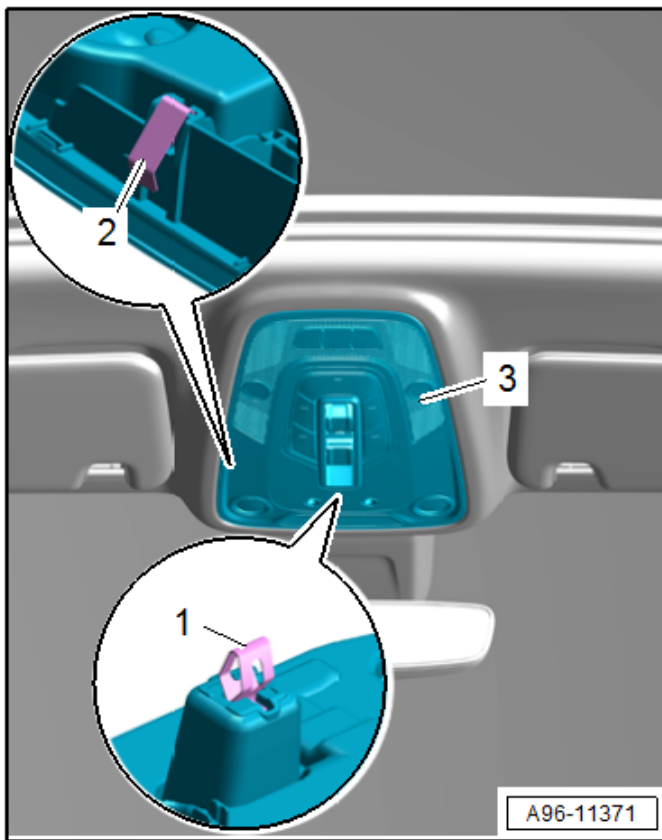
- If needed, remove trim clips from the body using Omega Clip Tool -T40280- (or equivalent) and install into the trim panel.
- Raise the front seats alternately to an upright position. Ensure the headliner does not get bound when raising the seats.
- Install headliner into body at centering pin <2> first.
- After headliner is centered, clip into body at clips <1>.



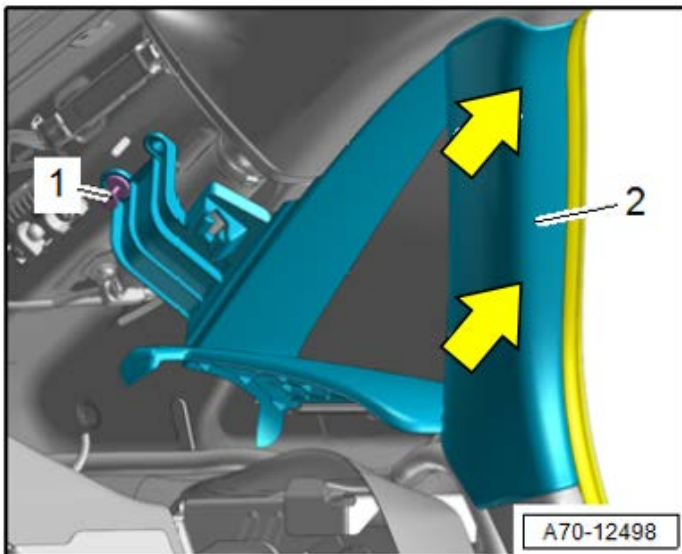
- Route harnesses for front lighting, vanity lights and visors through their corresponding openings.
- Install both visor center supports <2> and covers <1>.



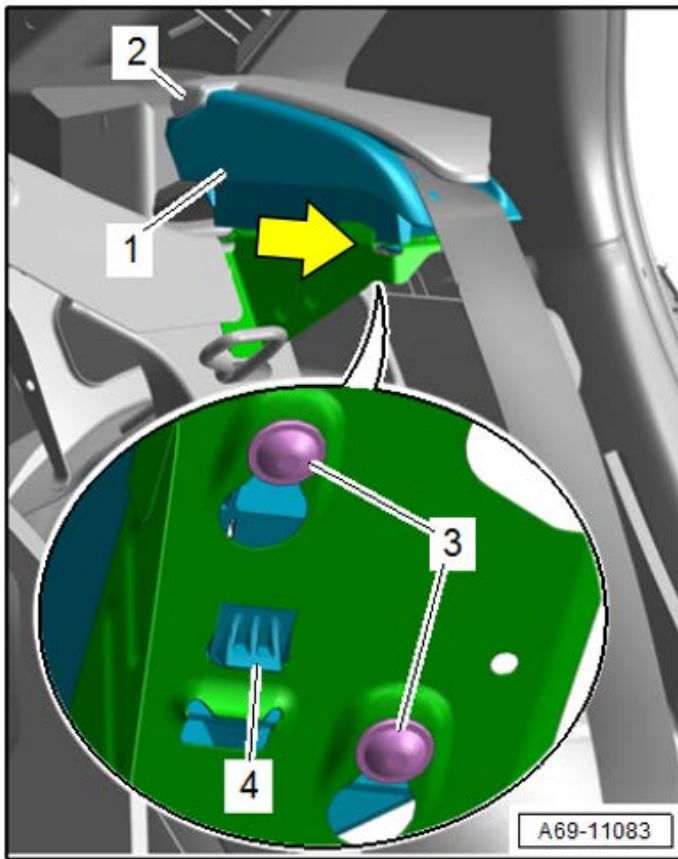
- Install headliner into sunroof frame.
- Install seals around headliner.
- Connect and install visors <1> and covers <2>.
- Install grab handles <3> and engage locks <4>.
- Connect and install visor lights <5>.



- If needed, remove trim clip <1> from the body using Omega Clip Tool -T40280- (or equivalent).
- Connect and install front roof module <3>.



- If needed, remove trim clips from the body using Omega Clip Tool -T40280- (or equivalent) and install into the trim panel.
- Install C-pillar trim <2> in <direction of arrows>.
- Install expanding clip <1>.

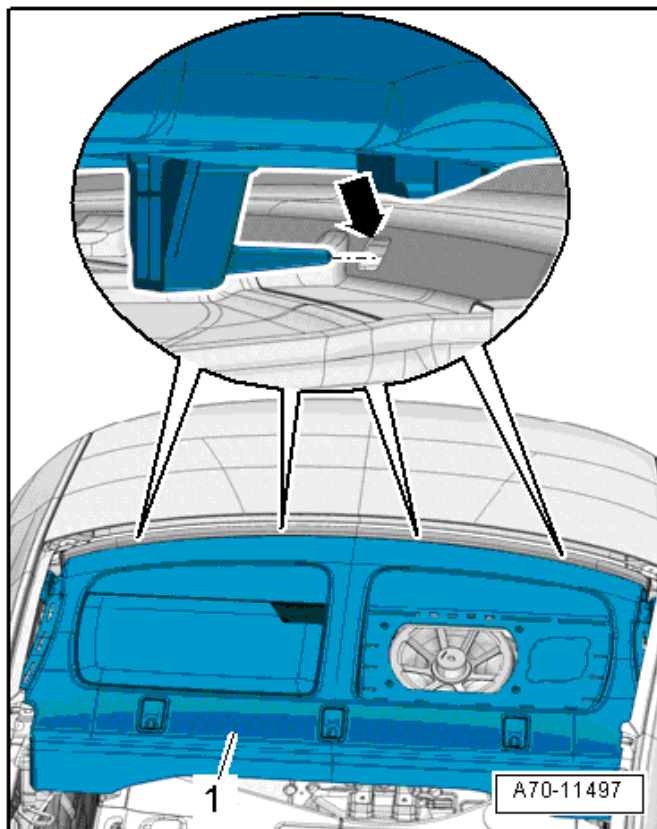


- Equipped on some models on the right side of the vehicle: Connect the connector for the parking aid warning buzzer.
- Install seat belt guide <1> in <direction of arrow>.

NOTE

Do not rotate the bolts <3> under any circumstances when removing and installing the seat belt guide <1>. They are set by the manufacturer.

- Ensure retaining hook <4> is completely engaged.

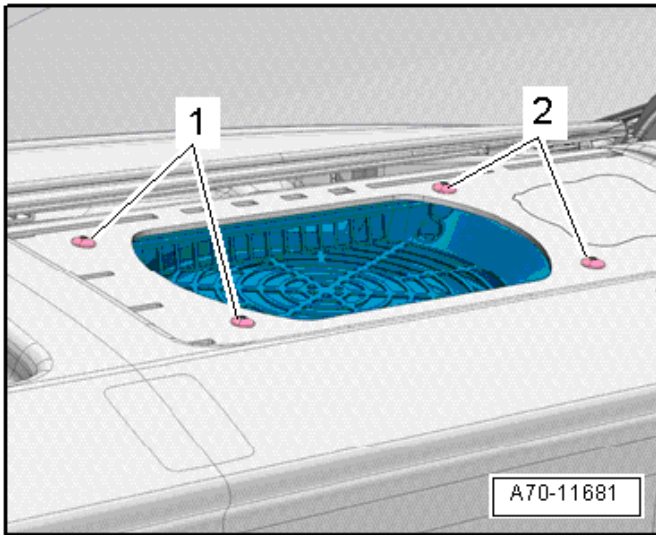


- If needed, remove trim clips from the body using Omega Clip Tool -T40280- (or equivalent) and install into the rear shelf.
- Insert the rear shelf <1> into the rear window frame and press on it until it engages audibly.
- The pins on the rear shelf must engage in the mounts <arrow> in the rear window frame.

For vehicles with rear sunshade:

- Insert the rear shelf <1> into the rear sunshade.

•

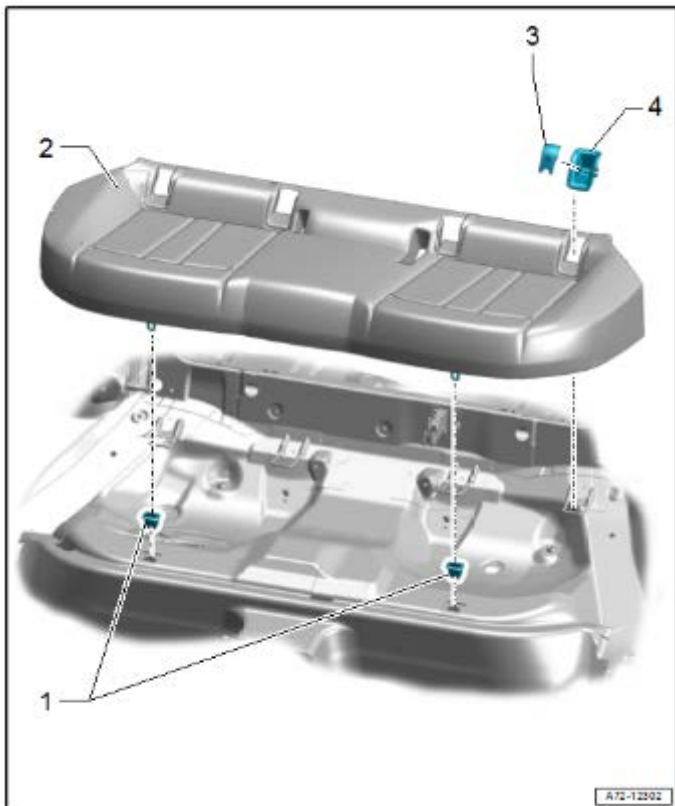


If equipped:

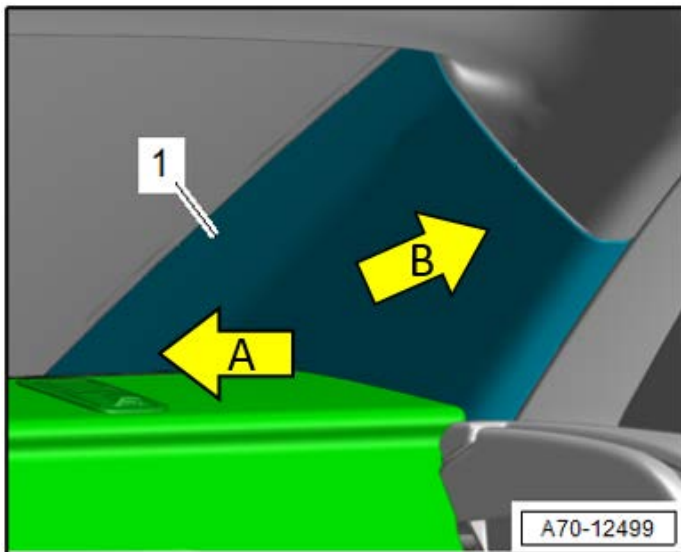
- Install bolts <1 and 2> and torque to 2 Nm.
- Install the speaker trim.



- Install side cushion <2> and torque nut <1> to 9 Nm.



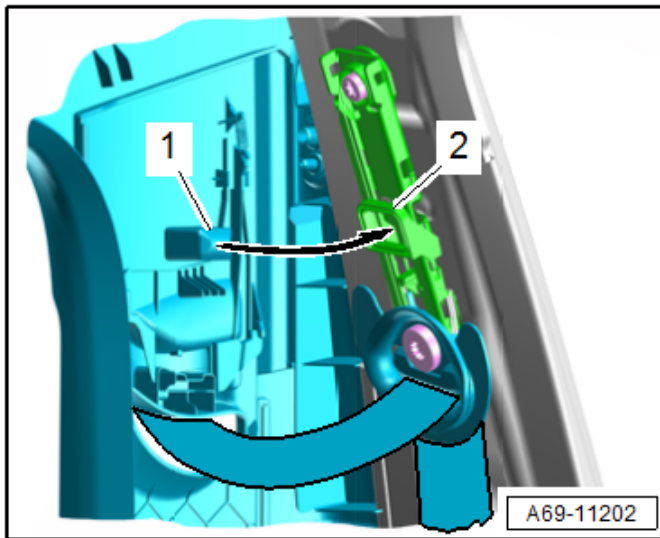
- Install seat bench <2>.
- Install child seat anchor guide <4> and cover <3>.



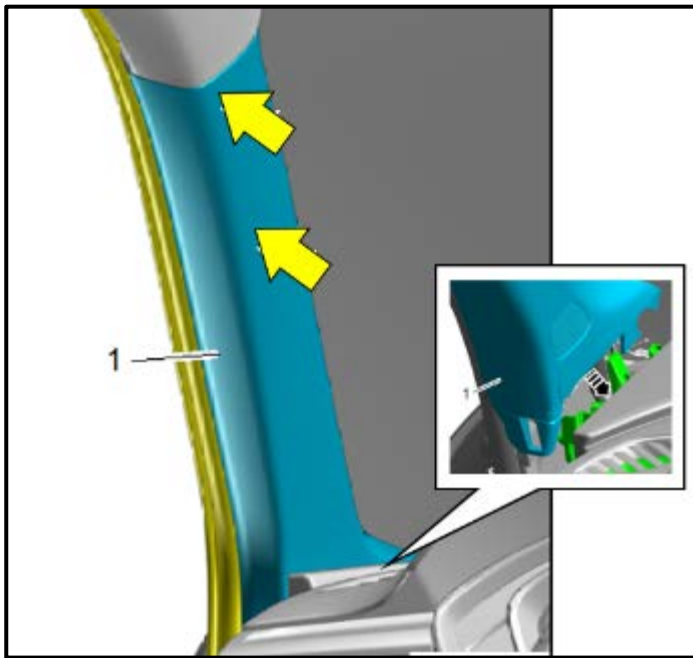
- If needed, remove trim clips from the body using Omega Clip Tool -T40280- (or equivalent) and install into the trim panel.
- Install D-pillar trim <1>:
 - Start by sliding the rear of the trim <arrow A> into place and then clip into body in <direction of arrow B>.
- Close the rear seat backrest.



- Before installing the upper B-pillar trim, ensure the seat belt height adjuster is installed correctly in the guide rails.



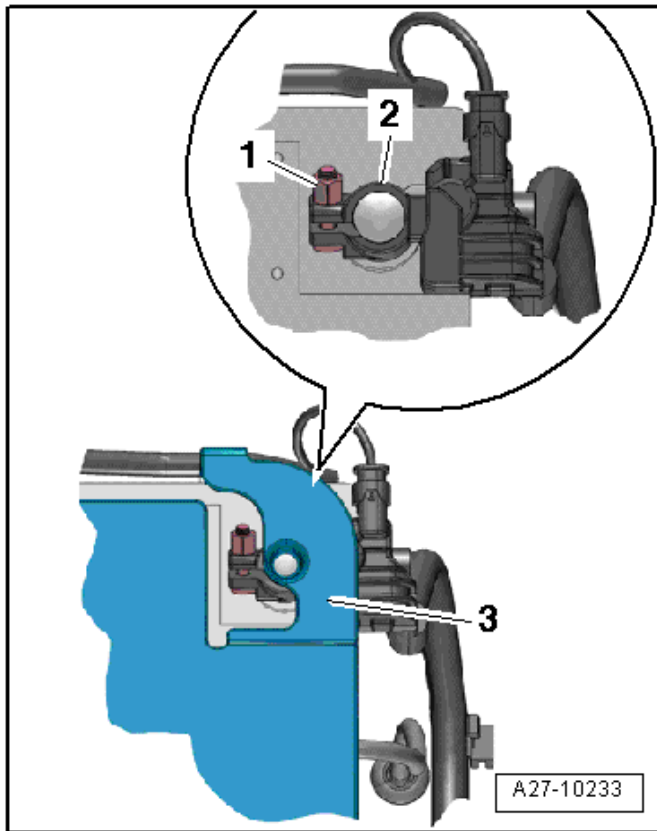
- Make sure that the belt height adjuster is in the lowest position.
- Insert the B-pillar trim panel upward into the mount on the roof.
- When installing the upper B-pillar trim, the retaining pin <1> for the sliding piece on the B-pillar trim panel must engage in the mount <2> on the seat belt height adjuster <arrow>.



- If needed, remove trim clips from the body using Omega Clip Tool -T40280- (or equivalent) and install into the trim panel.
- Insert the A-pillar trim panel <1> in the mount on the instrument panel <arrow>.
- If equipped, connect speaker.
- Install A-pillar trim in <direction of arrows>.
- Install A-pillar gap cover.
- Install instrument panel side cover.
- Verify all seals are installed properly.
- Cycle the ignition off and back on.
- Store previously recorded radio presets (if necessary).
- Set clock to local time.
- Activate the power window regulator one-touch up/down function.
- Check the DTC memories of all the control units and erase under-voltage faults if necessary.

Continue to Section E

Section D – Passenger Frontal Airbag (criteria 05)



⚠ WARNING

Accident risk. When working on pyrotechnic components (such as airbags and belt tensioners), the battery must be disconnected with the ignition switched **ON**.

- Turn the ignition **ON**.
- Move the passenger seat to the most rearward position.
- Fully recline passenger seat.

⚠ CAUTION

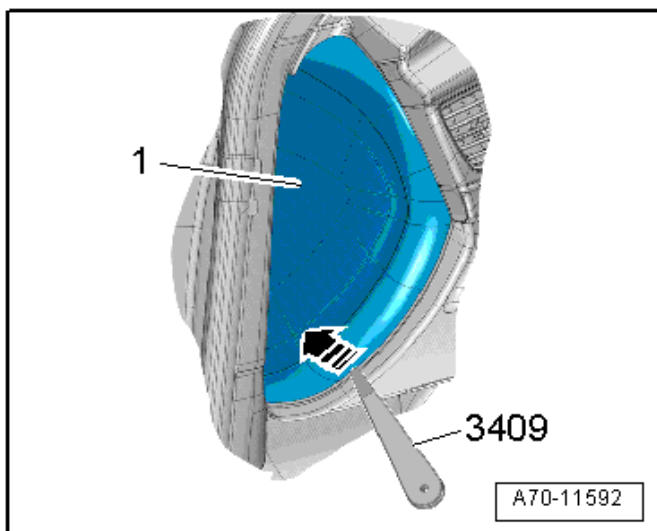
Reclining the passenger seat before disconnecting the battery allows for additional safety in the event Terminal 15 power is not restored when reconnecting the battery at the end of the repair.

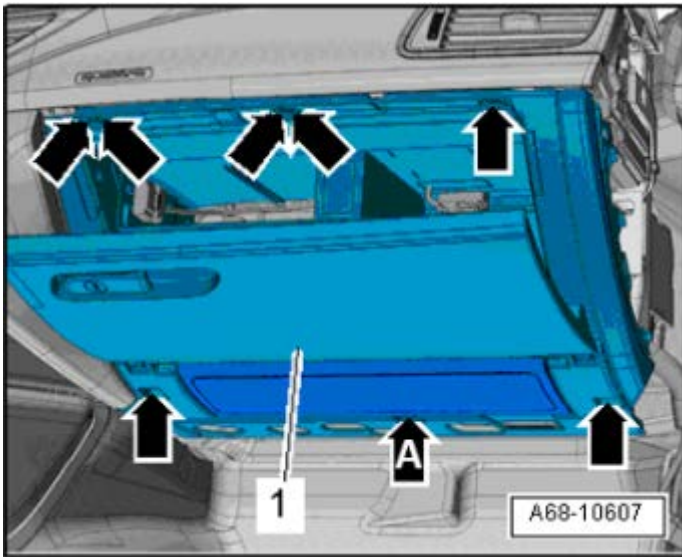
- Open the trunk/rear lid.
- Lift the luggage compartment floor cover.
- If equipped, remove the spare tire and vehicle tool kit mount.
- Open the cover <3> over the battery negative terminal.
- Loosen the nut <1>.
- Remove and isolate the battery ground cable terminal from the battery pole.

ⓘ NOTE

Before disconnecting the battery, it is recommended to record the customer's radio presets so they can be restored before returning vehicle to the customer.

- Pry the instrument panel side cover <1> off using the -3409- <arrow> and remove it.





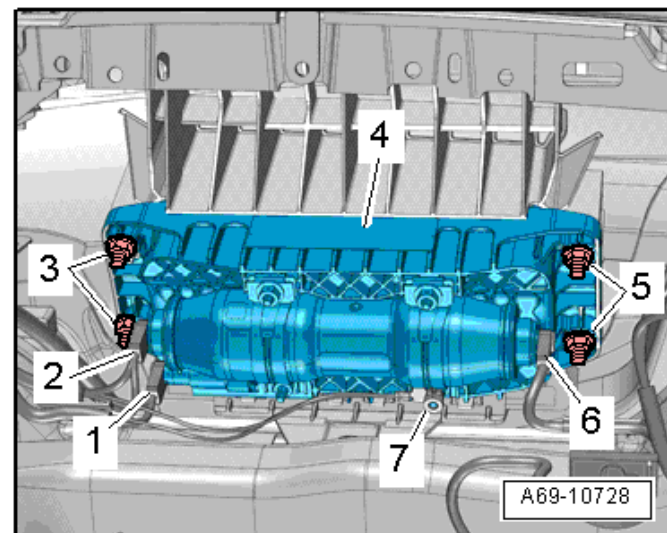
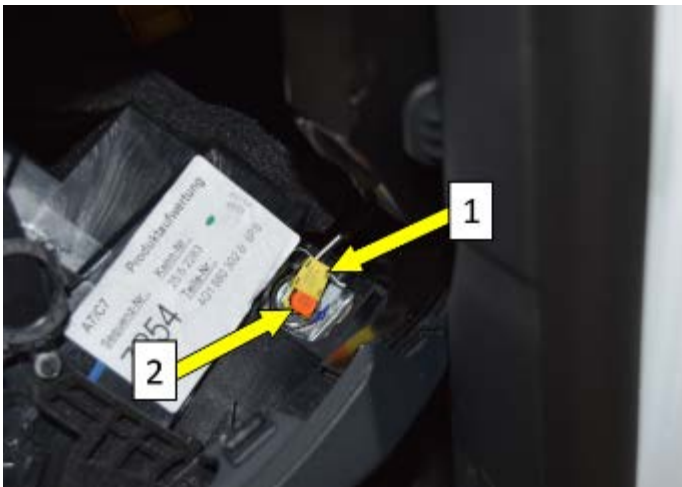
⚠ WARNING

Before handling pyrotechnic components (for example, disconnecting the connector), the person handling it must “discharge static electricity”. This can be done by touching the door striker, for example.

ⓘ NOTE

When removing the glovebox bolts, loosen bolt <arrow A>, but do not remove it until all remaining bolts are removed. Otherwise, the glovebox could drop and cause damage to the central wiring harness connector and knee airbag connector. Damage to wiring will not be covered under this action.

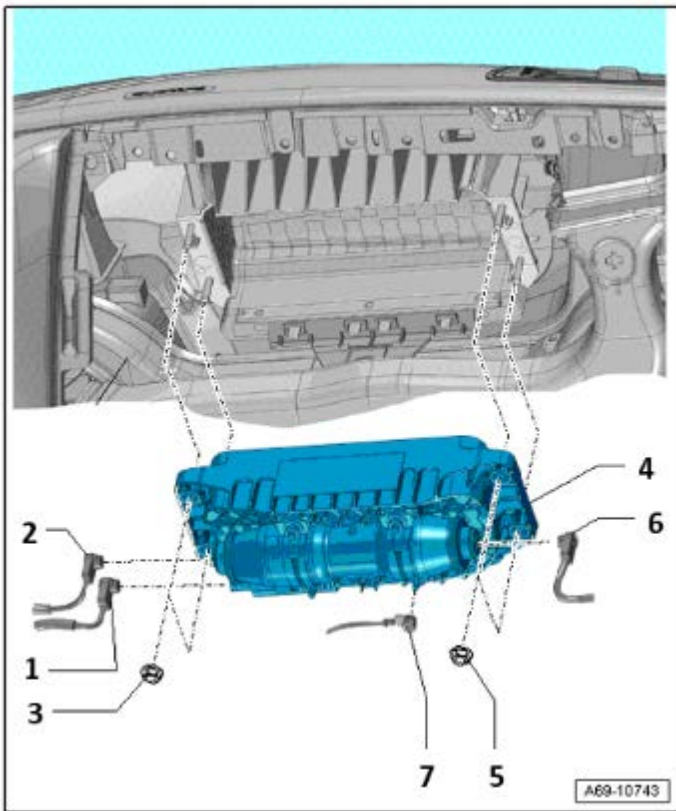
- Remove the bolts <arrows>.
- Remove glove compartment <1> just far enough until it is possible to disconnect the connector from the central connector and the knee airbag connector.
- Release the connector lock <2> with a 90° pick tool and remove the connector <1> using needle-nose pliers.
- Remove the glove compartment and the knee airbag.



- Disconnect connectors <1, 2 and 6>.
- Remove ground cable nut <7>.
- Remove and discard nuts <3> and <5>.
- Remove the passenger airbag <4>.

⚠ WARNING

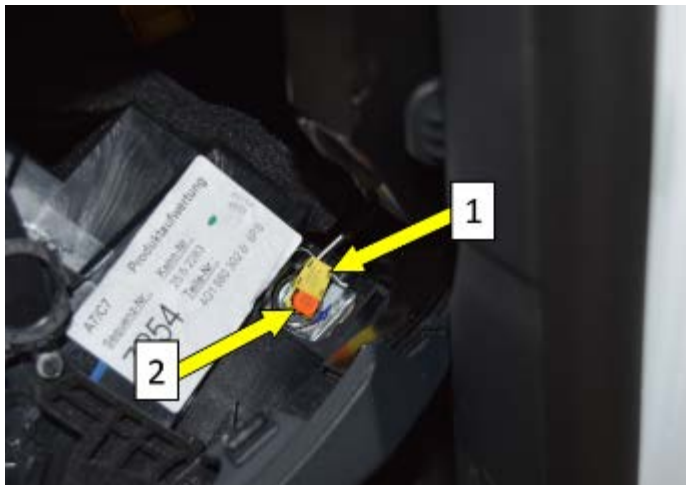
Set the airbag down so the airbag fabric faces upward.



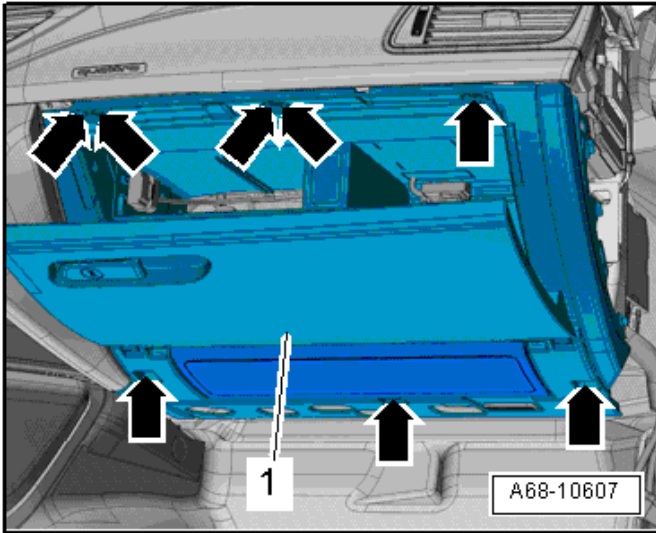
- Install the new airbag unit <4> using new nuts <3 and 5> and torque to 9 Nm.

Qty	Part Number	Part Description
1	4G8880204D	Passenger Airbag Unit
4	N 91205301	Nuts

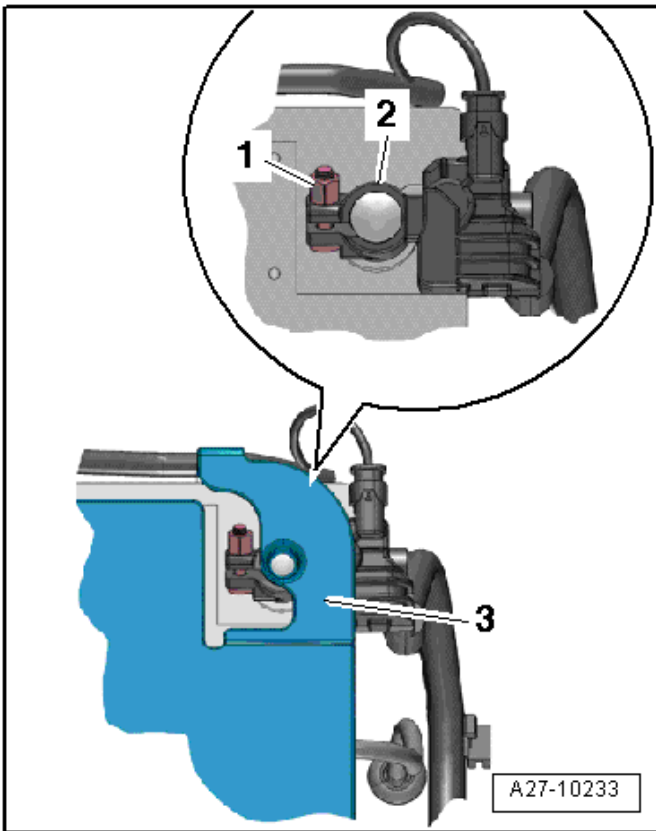
- Connect ground cable <7> and torque nut to 9 Nm.
- Connect connectors <1, 2 and 6> and engage connector locks.



- Connect knee airbag connector <1> and engage lock <2>.



- Connect glovebox central connector.
- Install glovebox and torque bolts <arrows> to 3 Nm.
- Install instrument panel side cover.



⚠ WARNING

Ignition must be ON when connecting battery. If pyrotechnic components (e.g. airbag, belt tensioner) are not repaired correctly, they may deploy unintentionally after connecting battery. There must not be anyone inside the vehicle when connecting the battery.

- Disconnect the connector <2> from the Battery Monitoring Control Module -J367- <3>.
- Attach the battery ground cable clamp by hand to the battery negative terminal and torque the nut <1> to 6 Nm.
- Reconnect the connector to the Battery Monitoring Control Module -J367-.
- Re-install the luggage compartment floor.
- Cycle the ignition off and back on.
- Set clock to local time.
- Activate the power window regulator one-touch up/down function.
- Check the DTC memories of all the control units and erase under-voltage faults if necessary.

Continue to Section E

Section E – Campaign Completion Stamp

I certify that this campaign
has been performed in strict
accordance with the applicable
Audi repair procedure.

SAGA Code: _____
Technician: _____
Date: _____

Item#: AUD4927ENG

-OR-

Je certifie que cette
campagne de rappel a été
exécutée suivant les strictes
directives de réparation
d'Audi

Code de SAGA: _____
Technicien: _____
Date: _____

Item # AUD4927FRE

- Once the campaign has been completed, the technician should stamp the repair order.
- Stamps are available for ordering through the Compliance Label Ordering Portal.
- **Proceed to Section F**

Section F - Parts Return/Disposal

Properly store (retain), destroy or dispose of removed parts in accordance with all state/province and local requirements, unless otherwise indicated and/or requested through the Warranty Parts Portal (WPP).

Appendix A – Warning and Safety Precautions

WARNING

General Safety Precautions when Working with Pyrotechnic Components:

- Pyrotechnic components always contain propellant that generates a gas during combustion. In some components, there is also a supply of pressurized gas to ensure this gas is generated
- This pressurized gas is stored under high pressure in a compressed gas container. Pyrotechnic components are triggered by electrical/mechanical igniters.
- Only trained personnel should perform testing, assembly and servicing work. Airbags do not have a replacement interval.
- Never check with test lamps, voltmeter or ohmmeters.
- Only check pyrotechnic components when they are installed in the vehicle using vehicle diagnosis, testing and information systems approved by the manufacturer.
- When working on pyrotechnic components and the airbag control module, disconnect the battery ground strap while the ignition is switched on. Then cover the negative terminal.
- Wait 10 seconds after disconnecting the battery.
- The ignition must be SWITCHED ON when connecting the battery. There should not be anyone inside the vehicle when doing this.
- Exception: vehicles with batteries in the passenger compartment. In this case, stay outside the range of the airbags and seat belts.
- Wash your hands after touching ignited pyrotechnic components from the restraint system.
- Do not open or repair pyrotechnic components. Use only new components to reduce the risk of injury.
- Do not install pyrotechnic components that have fallen onto a hard surface or show signs of damage.
- Discharge static electricity before handling pyrotechnic components, for example before disconnecting the electrical connector. This can be done by touching grounded metal objects such as the door striker pin.
- Install pyrotechnic components immediately after removing them from their transport packaging. If you must stop working, store the pyrotechnic component in its original transport packaging.
- Do not leave pyrotechnic components lying in the open unattended.
- Do not treat pyrotechnic components with grease, cleaning solutions or similar products.
- Do not expose pyrotechnic components to temperatures above 100 °C, even for brief periods of time.
- People in the immediate vicinity of the workplace must be protected from possible noise and projectiles.
- Pyrotechnic components can trigger unintentionally.
- In the event of deployment:
 - Single-stage inflators: allow airbag to cool down completely. Wait at least 10 minutes before handling.
- Two-stage inflators: wait for second airbag ignition. Allow airbag to cool down completely. Wait at least 10 minutes before handling.